



US00D539764S

(12) **United States Design Patent**
Honda

(10) **Patent No.:** **US D539,764 S**

(45) **Date of Patent:** **** Apr. 3, 2007**

(54) **TELEVISION SET**

(75) **Inventor:** **Tatsuya Honda**, Yokohama (JP)

(73) **Assignee:** **Kabushiki Kaisha Toshiba** (JP)

(**) **Term:** **14 Years**

(21) **Appl. No.:** **29/230,137**

(22) **Filed:** **May 18, 2005**

(30) **Foreign Application Priority Data**

Dec. 28, 2004 (JP) 2004-040288

(51) **LOC (8) Cl.** **14-03**

(52) **U.S. Cl.** **D14/126**

(58) **Field of Classification Search** D14/125-134,
D14/239, 371, 136, 374-377; 312/7.2; 348/836,
348/838, 180, 184, 325, 739; 341/12; 248/917-924,
248/465; 345/104, 133, 156, 168, 87, 173;
720/605, 669, 600, 655; 369/99, 197; 455/344-347
See application file for complete search history.

(56) **References Cited**

U.S. PATENT DOCUMENTS

- D381,649 S * 7/1997 Boyd D14/126
- D413,586 S 9/1999 Kondo
- D425,035 S 5/2000 Kondo et al.
- D471,883 S 3/2003 Sugiyama et al.
- D474,163 S 5/2003 Araki
- D474,454 S 5/2003 Izu et al.
- D486,131 S * 2/2004 Otsuka D14/126
- D489,340 S 5/2004 Honda

- D491,540 S 6/2004 Honda
- D497,146 S 10/2004 Asanuma et al.
- D497,147 S 10/2004 Izu et al.
- D497,352 S 10/2004 Asanuma et al.
- D503,158 S 3/2005 Asanuma et al.
- D505,405 S 5/2005 Honda et al.
- D506,189 S * 6/2005 Buckle D14/126
- D523,405 S * 6/2006 Honda D14/126
- D526,292 S * 8/2006 Reza D14/126
- D529,881 S * 10/2006 Honda D14/126

OTHER PUBLICATIONS

B&H Summer Catalog, pp. 120-123 and pp. 172-173, Jun. 2004.

* cited by examiner

Primary Examiner—Raphael Barkai

(74) *Attorney, Agent, or Firm*—Banner & Witcoff, Ltd.

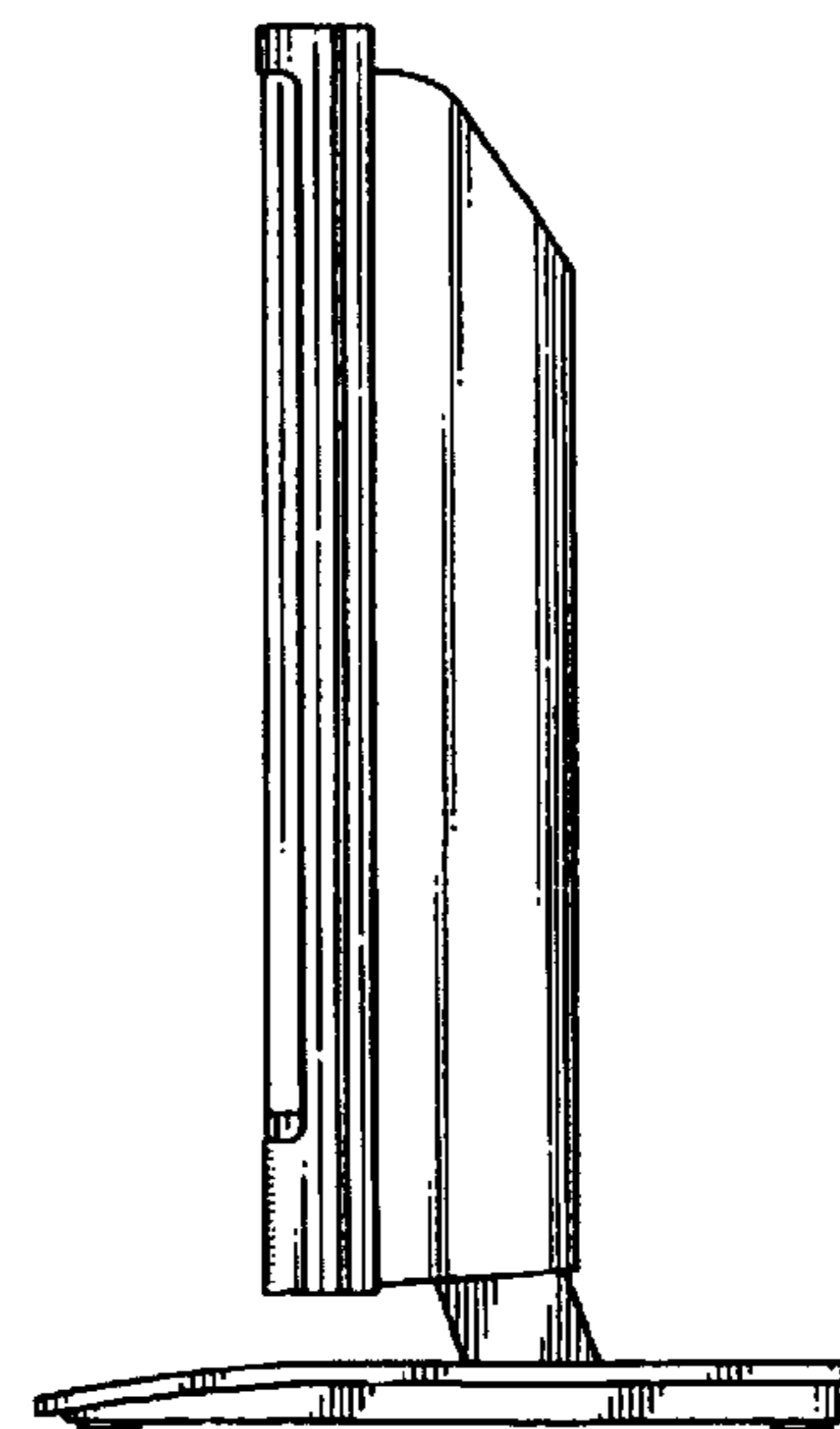
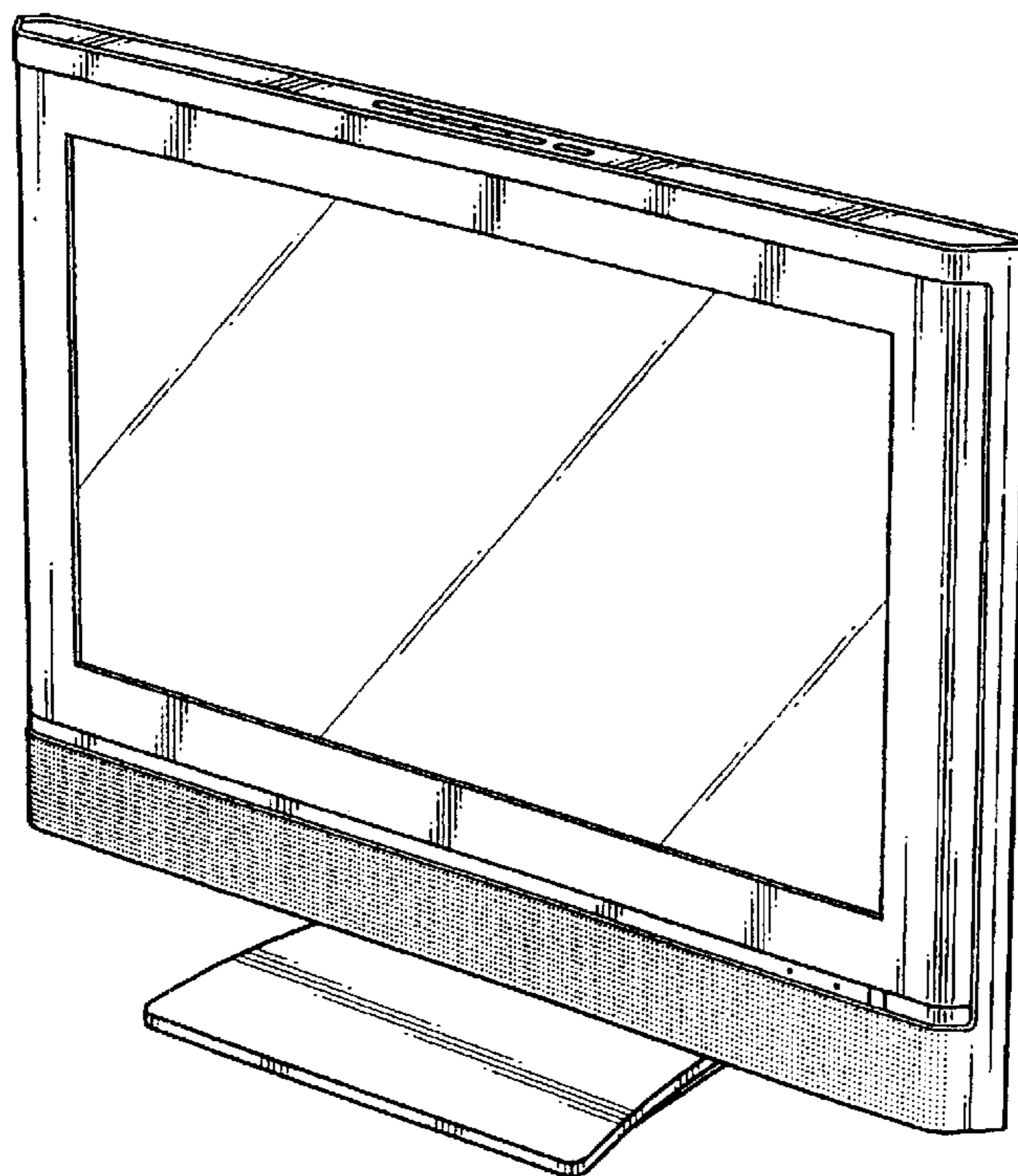
(57) **CLAIM**

The ornamental design for a television set, as shown and described.

DESCRIPTION

FIG. 1 is a front, top and right side perspective view of a television set, showing my new design; FIG. 2 is a front elevational view thereof; FIG. 3 is a rear elevational view thereof; FIG. 4 is a top plan view thereof; FIG. 5 is a bottom plan view thereof; FIG. 6 is a right side elevational view thereof; and, FIG. 7 is a left side elevational view thereof.

1 Claim, 3 Drawing Sheets



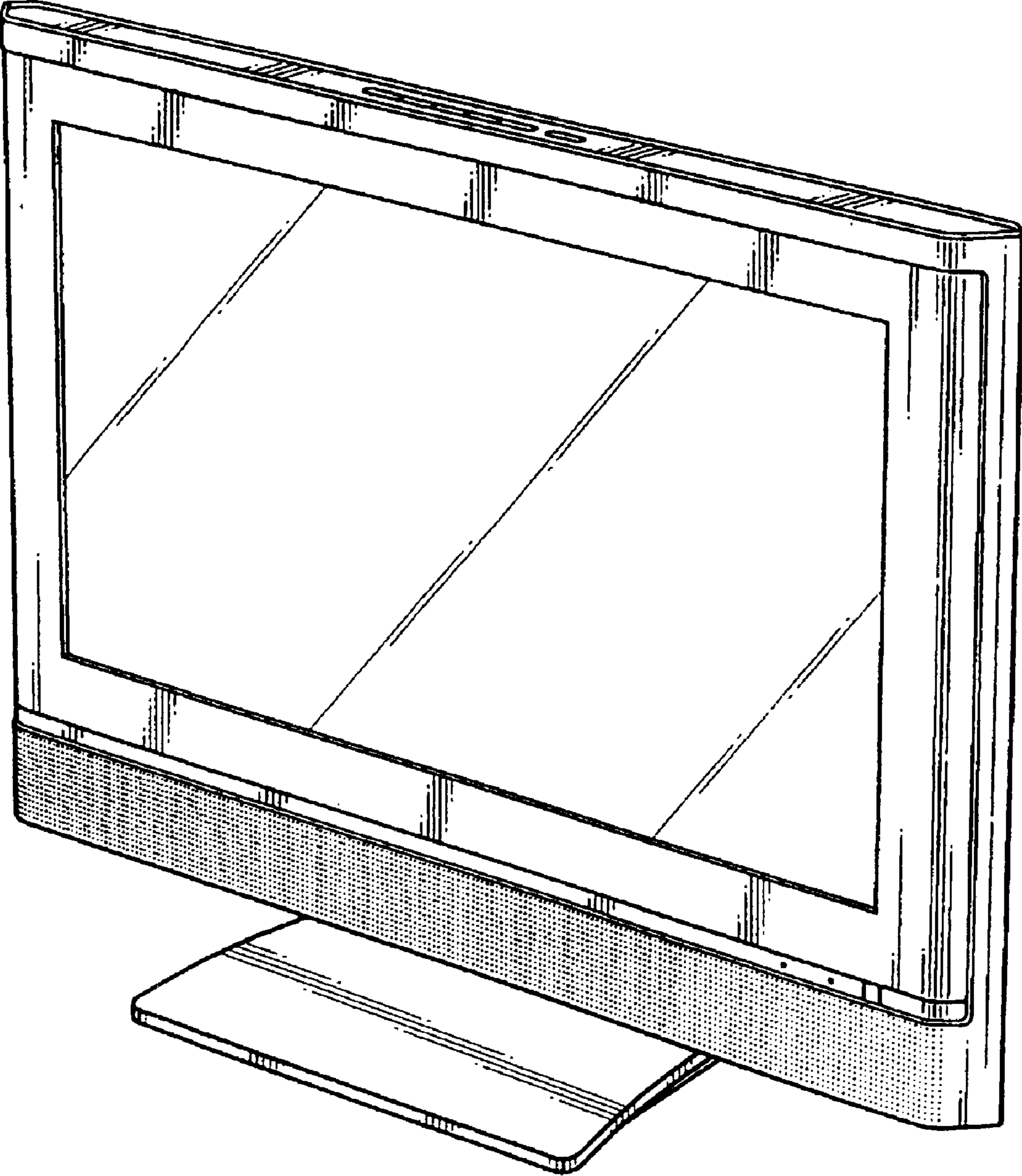


FIG. 1

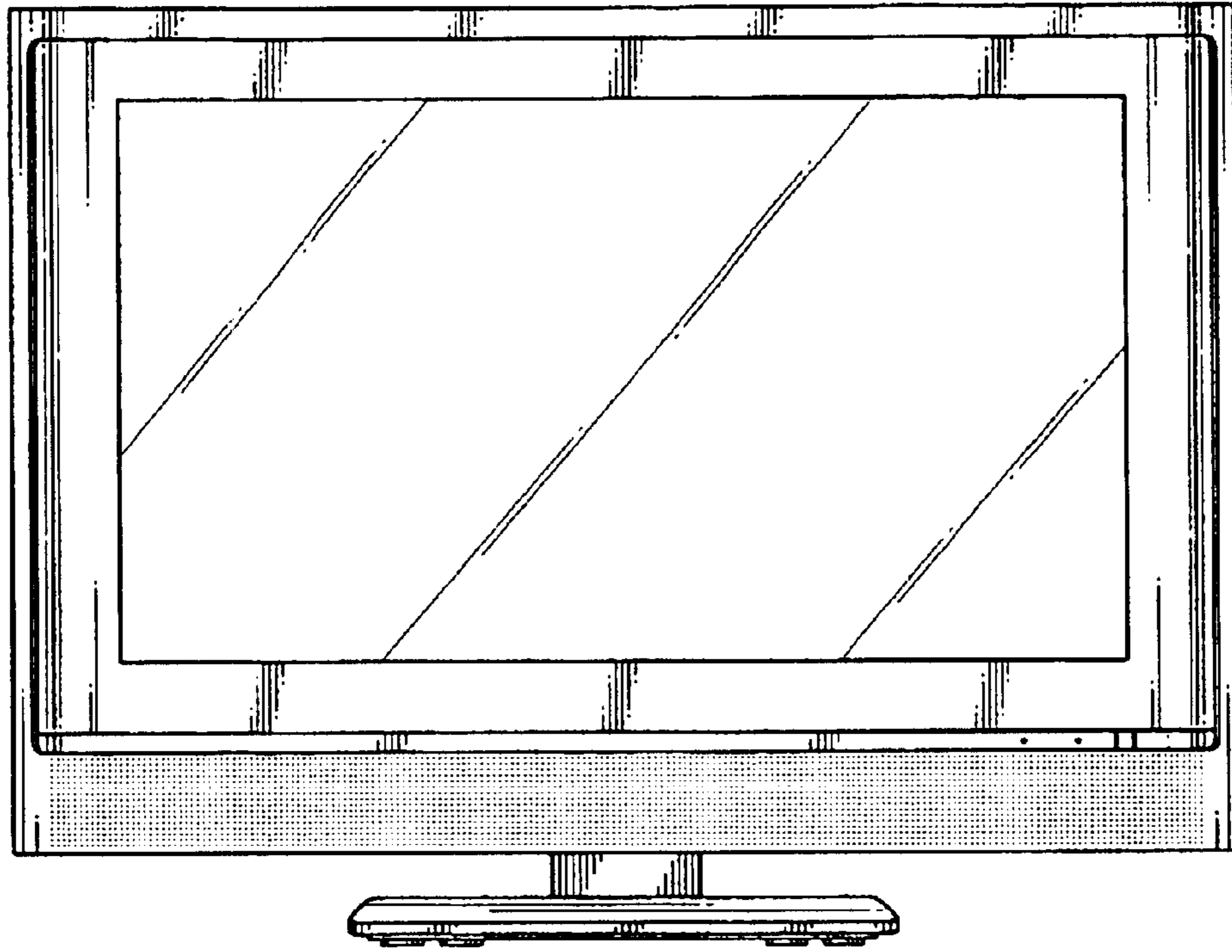


FIG. 2

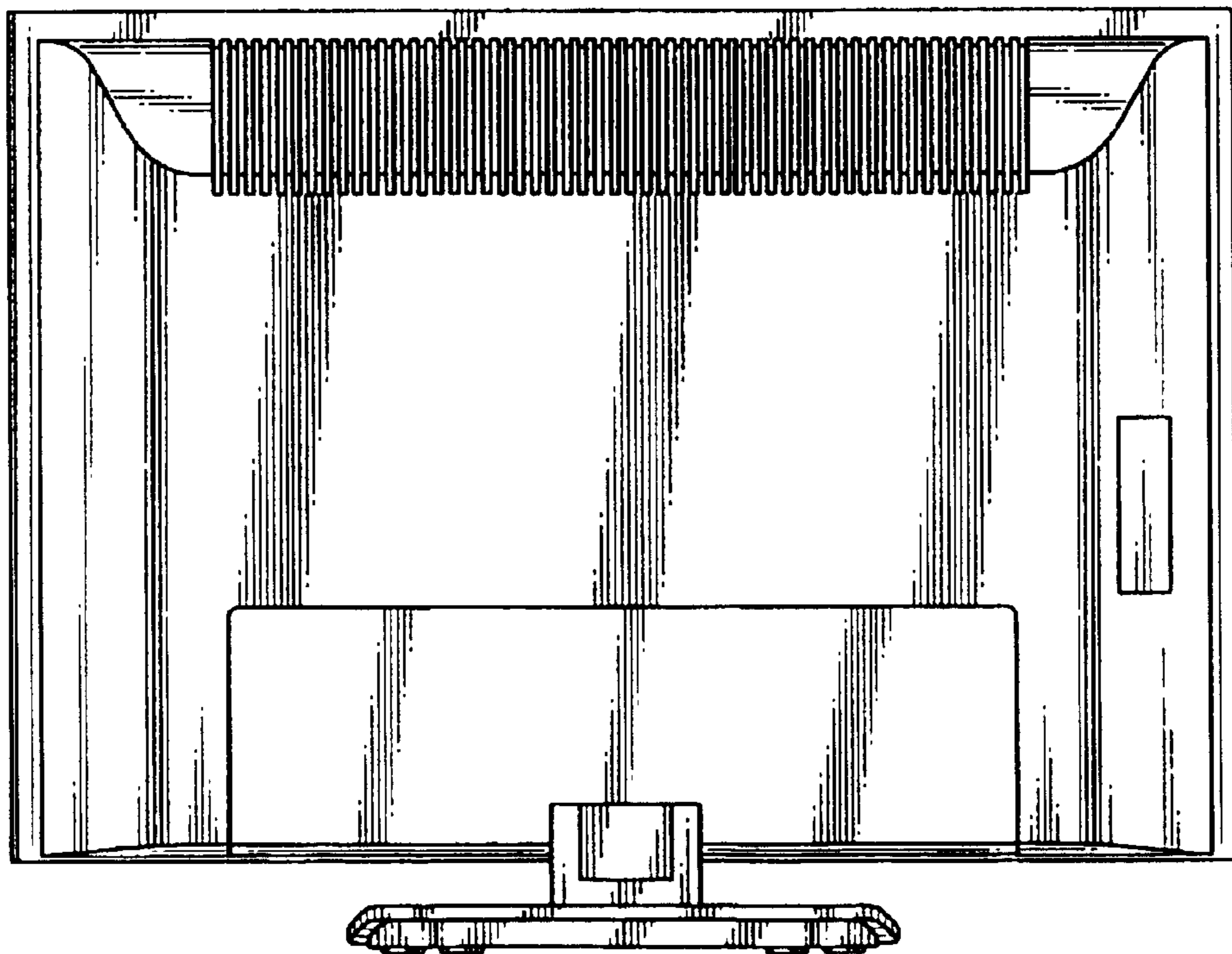


FIG. 3

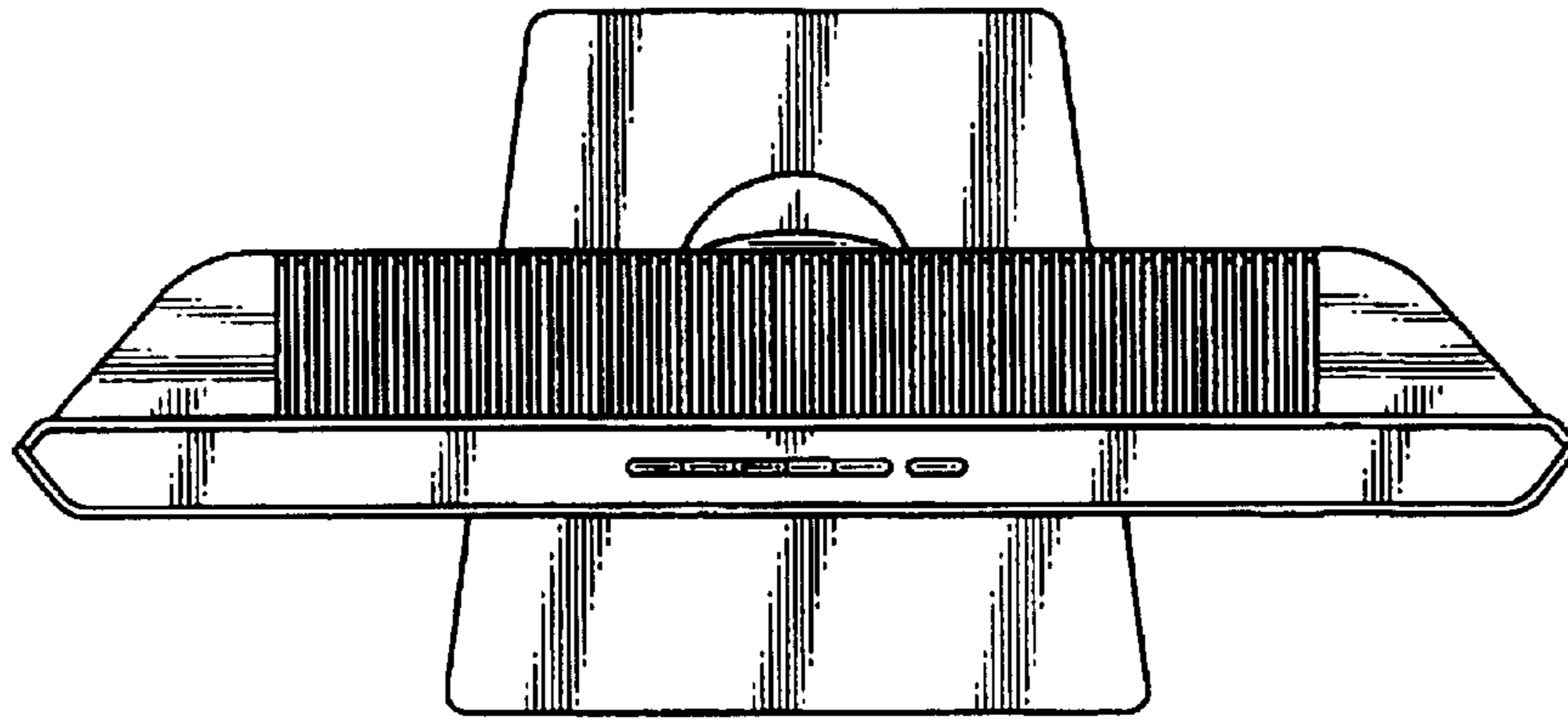


FIG. 4

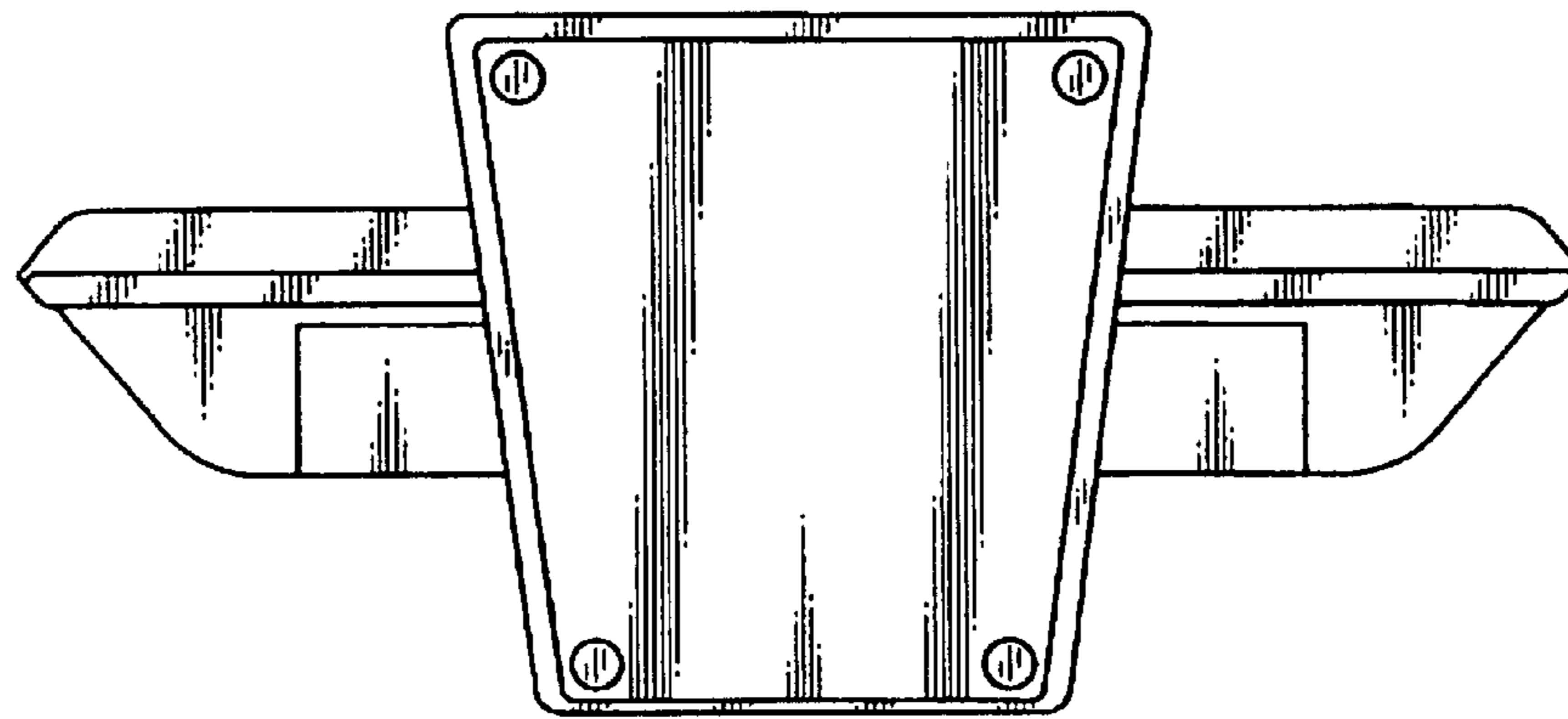


FIG. 5

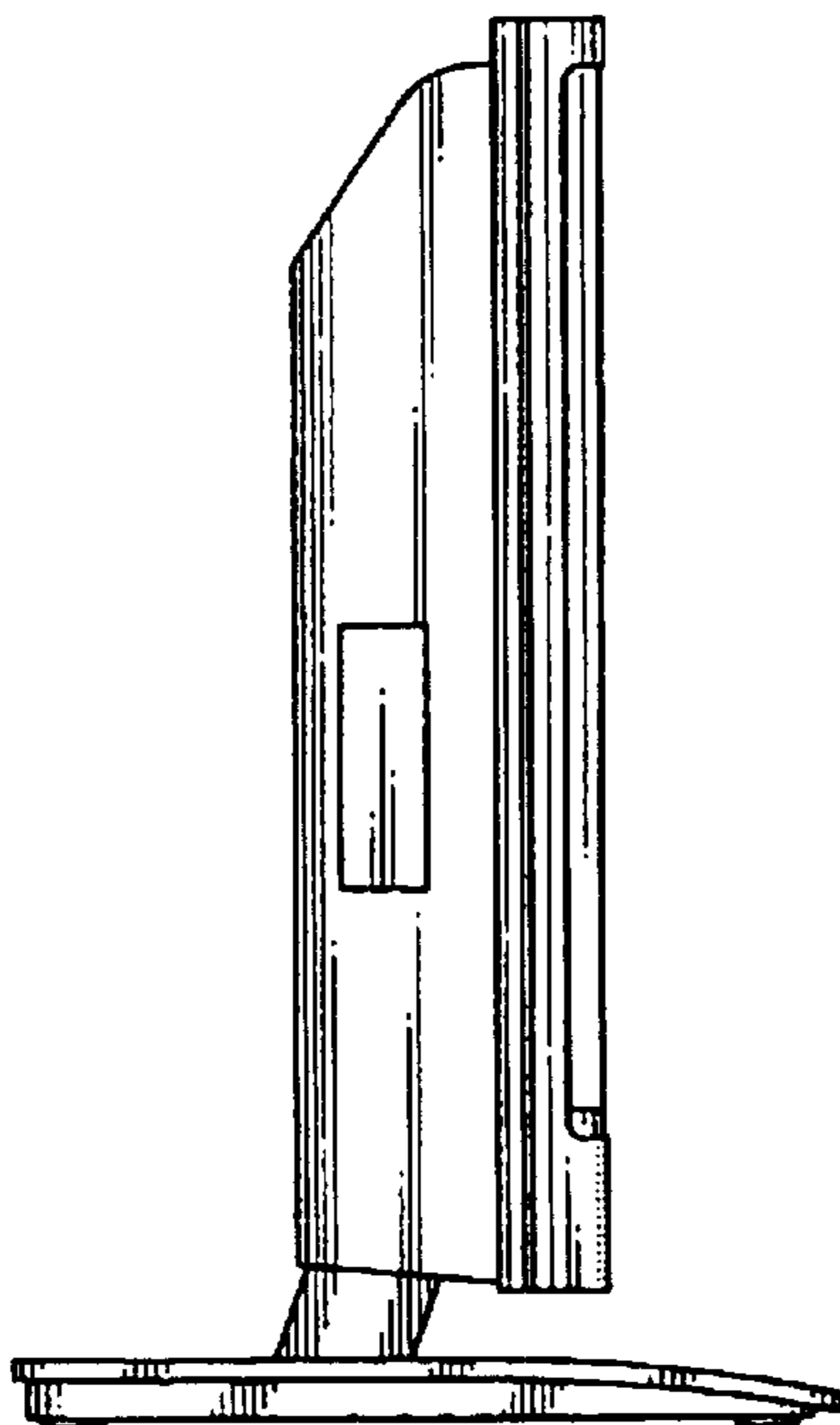


FIG. 7

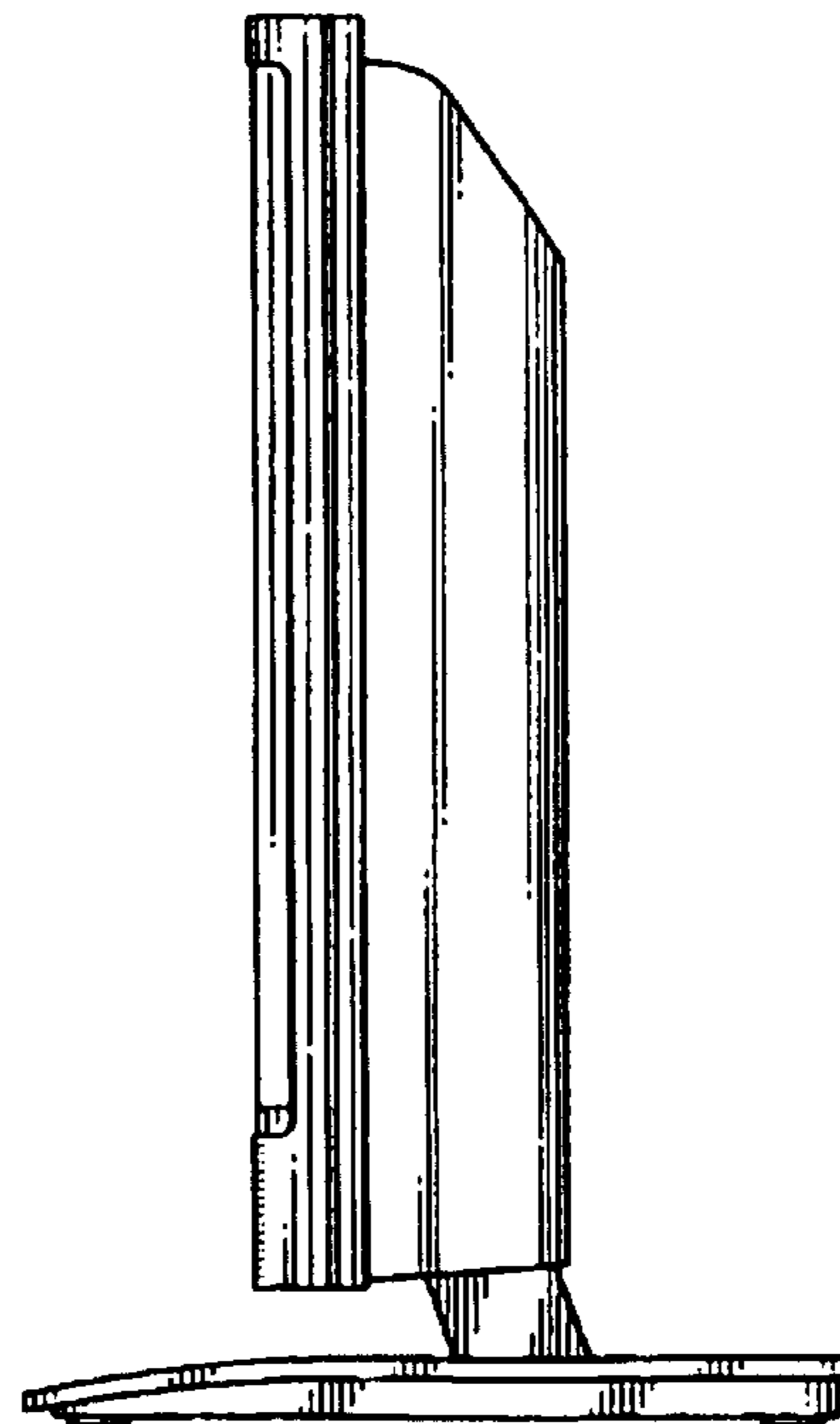


FIG. 6