



US00D539763S

(12) **United States Design Patent**  
**Yamada**

(10) **Patent No.:** **US D539,763 S**  
(45) **Date of Patent:** **\*\* Apr. 3, 2007**

(54) **FRONT SURFACE OF A MONITOR/  
TELEVISION RECEIVER**

(75) Inventor: **Yoshinori Yamada**, Tokyo (JP)

(73) Assignee: **Sony Corporation**, Tokyo (JP)

(\*\*) Term: **14 Years**

(21) Appl. No.: **29/218,148**

(22) Filed: **Nov. 30, 2004**

(51) **LOC (8) Cl.** ..... **14-03**

(52) **U.S. Cl.** ..... **D14/126**

(58) **Field of Classification Search** ..... D14/125-135,  
D14/239, 379, 371, 374, 375, 376, 113; D13/151,  
D13/153; 312/7.2; 348/836, 838, 180, 184,  
348/325, 739; 341/12; 248/917-924; 345/104,  
345/133, 156, 168, 87, 173; 349/1, 2, 11,  
349/62

See application file for complete search history.

(56) **References Cited**

**U.S. PATENT DOCUMENTS**

D356,077 S	*	3/1995	Harada et al.	.....	D14/126
D356,078 S	*	3/1995	Usui et al.	.....	D14/126
D356,548 S	*	3/1995	Bottcher et al.	.....	D14/341
D396,222 S	*	7/1998	Morgan et al.	.....	D14/374
D448,030 S	*	9/2001	Park	.....	D14/374
D448,769 S	*	10/2001	Jung	.....	D14/374
D454,565 S	*	3/2002	Harriman	.....	D14/374
D457,864 S	*	5/2002	Bong et al.	.....	D14/126
D481,022 S	*	10/2003	Inoue et al.	.....	D14/126

D498,214 S \* 11/2004 Ahn et al. .... D14/126

**FOREIGN PATENT DOCUMENTS**

JP D1158962 S 11/2002

**OTHER PUBLICATIONS**

Web page "KDL-L26RX2" <http://www.ecat.sony.co.jp/visual/tv/products/index.cfm?PD=16391&KDL-L26RX2>, 1sheet, Sony (Oct. 2004).

\* cited by examiner

*Primary Examiner*—Raphael Barkai

*Assistant Examiner*—Randall H. Gholson

(74) *Attorney, Agent, or Firm*—Rader, Fishman & Grauer PLLC

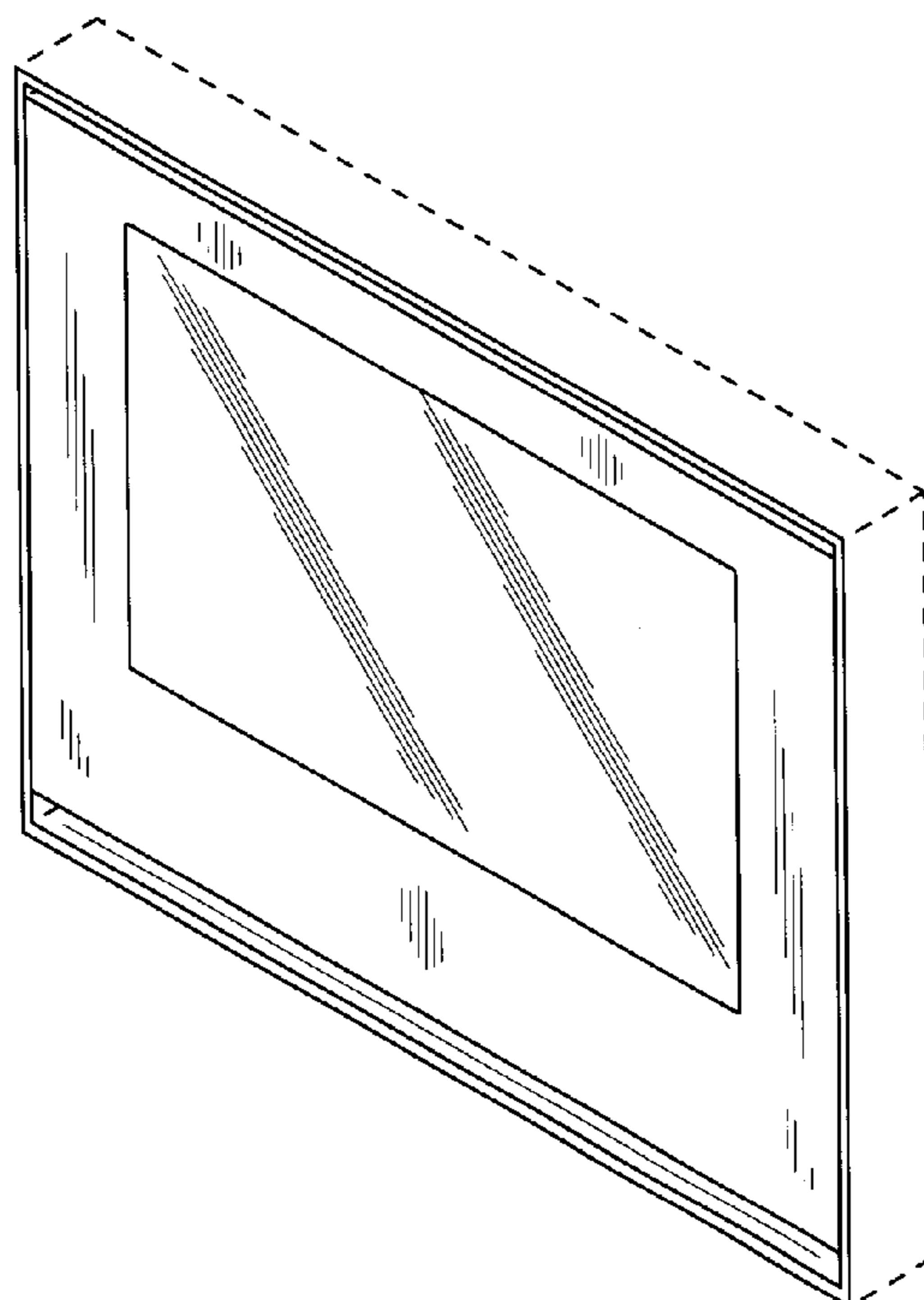
(57) **CLAIM**

The ornamental design for a front surface of a monitor/television receiver, as shown and described.

**DESCRIPTION**

FIG. 1 is a perspective view of a front surface of a monitor/television receiver showing my new design; FIG. 2 is a front elevational view thereof; FIG. 3 is a left side elevational view thereof; FIG. 4 is a right side elevational view thereof; FIG. 5 is a top plan view thereof; and, FIG. 6 is a bottom plan view thereof. Portions of FIGS. 1 and 3-6 that are shown as broken lines are for illustrative purpose only and form no part of the claimed design.

**1 Claim, 4 Drawing Sheets**



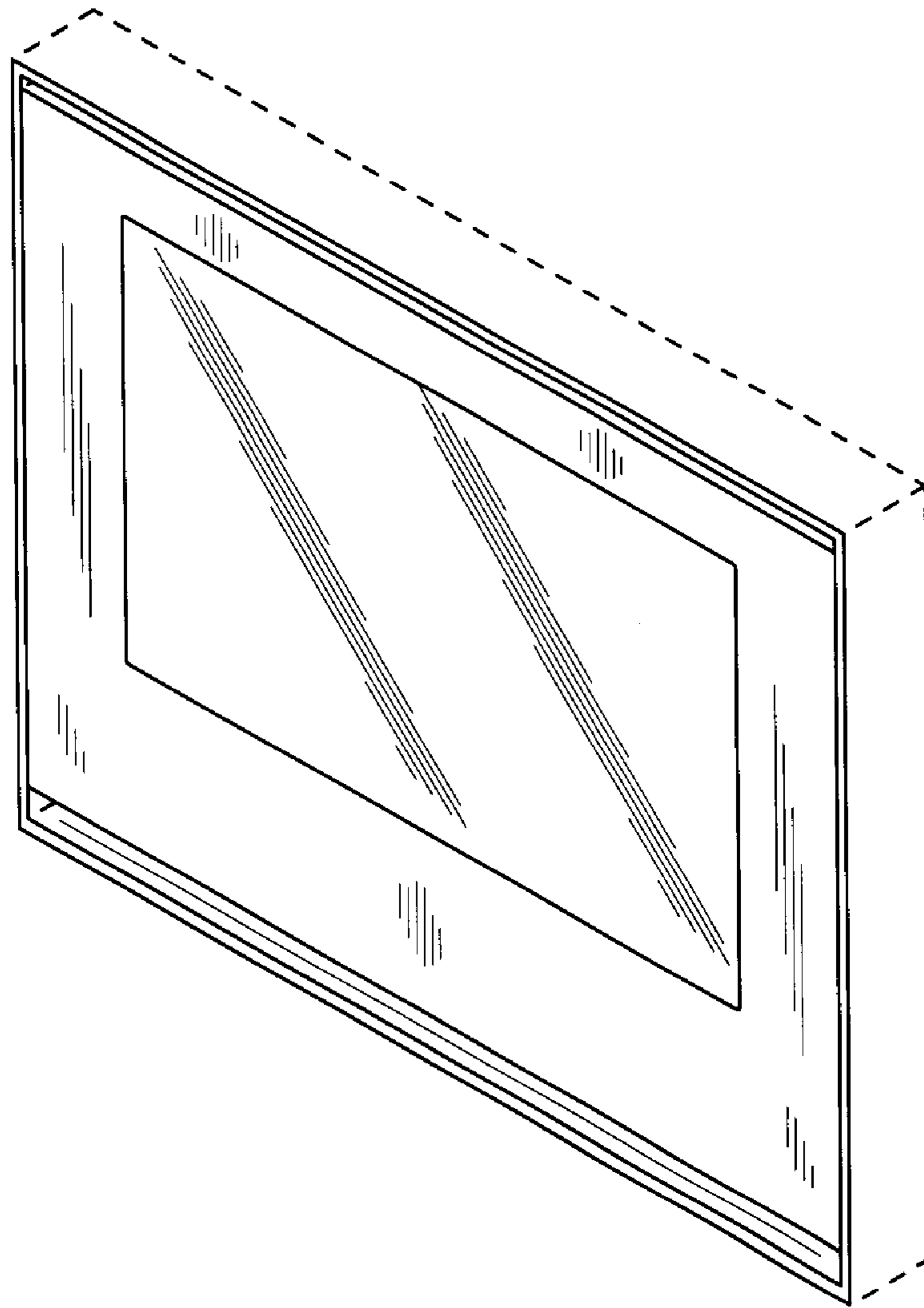


FIG. 1

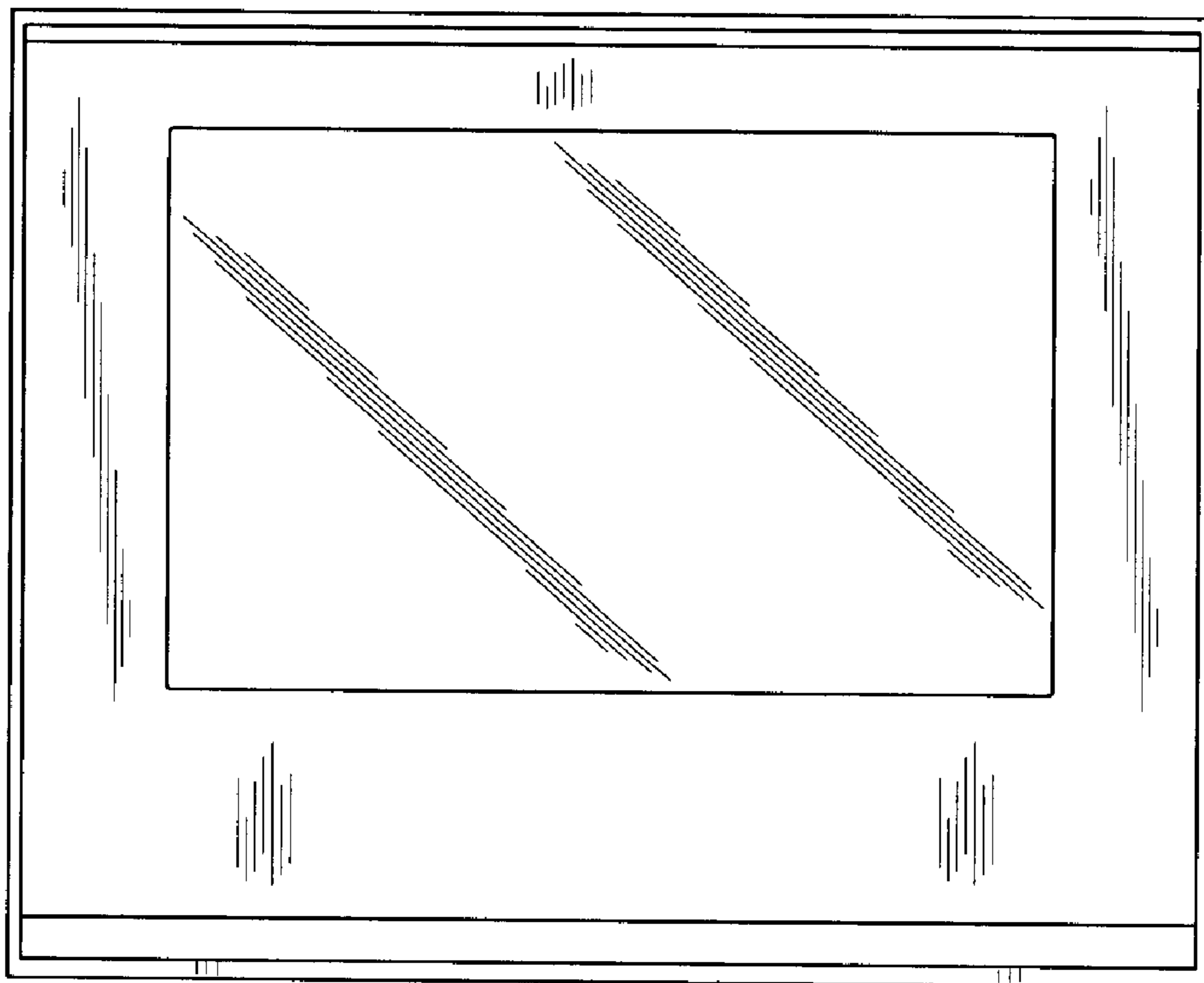
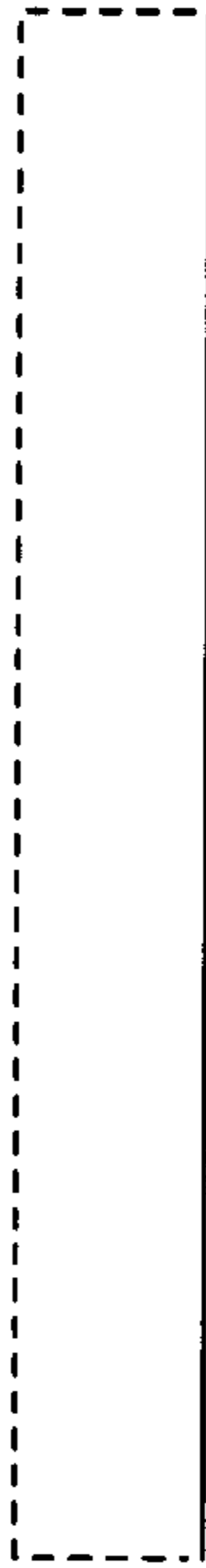
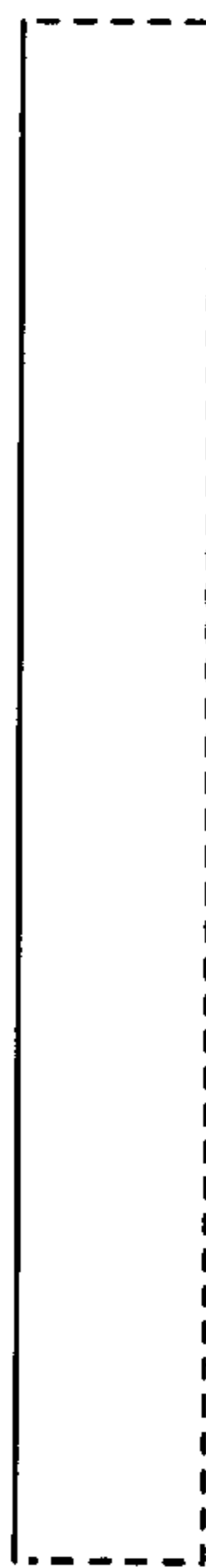


FIG. 2



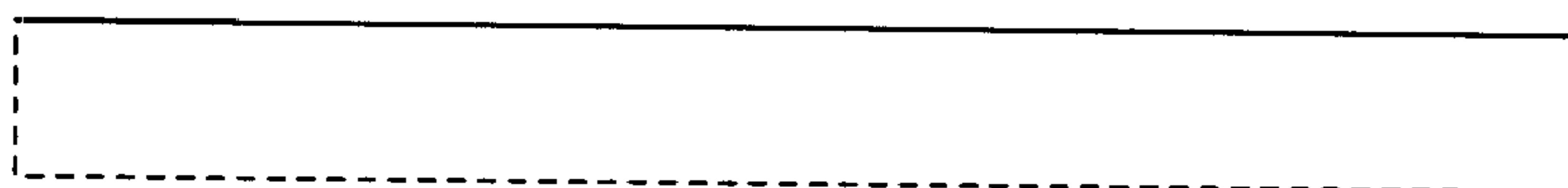
*FIG. 3*



*FIG. 4*



*FIG. 5*



*FIG. 6*