



US00D539760S

(12) **United States Design Patent** (10) **Patent No.:** **US D539,760 S**
Sumitani (45) **Date of Patent:** **** Apr. 3, 2007**

(54) **LIGHT EMITTING DIODE**

(75) Inventor: **Naofumi Sumitani**, Itano-gun (JP)

(73) Assignee: **Nichia Corporation**, Anan-shi (JP)

(**) Term: **14 Years**

(21) Appl. No.: **29/265,890**

(22) Filed: **Sep. 12, 2006**

Related U.S. Application Data

(62) Division of application No. 29/258,944, filed on May 1, 2006, which is a division of application No. 29/244,841, filed on Dec. 15, 2005, now Pat. No. Des. 528,515, which is a division of application No. 29/226,509, filed on Mar. 30, 2005, now Pat. No. Des. 522,466, which is a division of application No. 29/200,831, filed on Mar. 5, 2004, now Pat. No. Des. 510,913.

(30) **Foreign Application Priority Data**

Sep. 9, 2003	(JP)	2003-026194
Sep. 9, 2003	(JP)	2003-026195
Sep. 9, 2003	(JP)	2003-026227
Sep. 9, 2003	(JP)	2003-026228
Sep. 9, 2003	(JP)	2003-026229
Sep. 9, 2003	(JP)	2003-026230
Sep. 9, 2003	(JP)	2003-026231
Sep. 9, 2003	(JP)	2003-026232
Sep. 9, 2003	(JP)	2003-026233
Sep. 9, 2003	(JP)	2003-026234
Sep. 9, 2003	(JP)	2003-026235
Sep. 9, 2003	(JP)	2003-026236
Sep. 9, 2003	(JP)	2003-026237
Sep. 9, 2003	(JP)	2003-026238
Sep. 9, 2003	(JP)	2003-026239
Sep. 9, 2003	(JP)	2003-026240
Sep. 9, 2003	(JP)	2003-026241
Sep. 9, 2003	(JP)	2003-026242
Sep. 9, 2003	(JP)	2003-026243

(51) **LOC (8) Cl.** **13-03**

(52) **U.S. Cl.** **D13/180**

(58) **Field of Classification Search** D13/180;
D26/2; 257/79, 80, 81, 82, 88, 89, 95, 98,
257/99, 100, 678, 680, 433, 434, 666; 313/483,
313/498, 500; 361/820; 362/235, 249, 555,
362/800; 372/45.01

See application file for complete search history.

(56) **References Cited**

U.S. PATENT DOCUMENTS

D432,095	S	10/2000	Seeger et al.	
D437,798	S	2/2001	Kiba et al.	
D439,351	S	3/2001	Kiba et al.	
6,355,946	B1	3/2002	Ishinaga	
6,483,623	B1	11/2002	Maruyama	
D471,166	S	3/2003	Oshio et al.	
6,624,491	B2	9/2003	Waitl et al.	
D482,337	S	11/2003	Kamada	
6,717,256	B1	4/2004	Suzuki et al.	
D490,387	S	5/2004	Yagi	
D491,899	S	6/2004	Yagi	
D494,550	S	8/2004	Hoshiba	
D495,304	S	8/2004	Kim et al.	
D510,913	S	10/2005	Sumitani	
D522,466	S	* 6/2006	Sumitani D13/180
D528,515	S	* 9/2006	Sumitani D13/180
2005/0127816	A1	6/2005	Sumitani	

* cited by examiner

Primary Examiner—Selina Sikder

(74) *Attorney, Agent, or Firm*—Smith Patent Office

(57) **CLAIM**

I claim the ornamental design for a light emitting diode, as shown and described.

DESCRIPTION

FIG. 1 is a front perspective view of a light emitting diode showing my new design;

FIG. 2 is a rear perspective view thereof;

FIG. 3 is a top plan view thereof;

FIG. 4 is a left side elevation view thereof;

FIG. 5 is a front elevation view thereof;

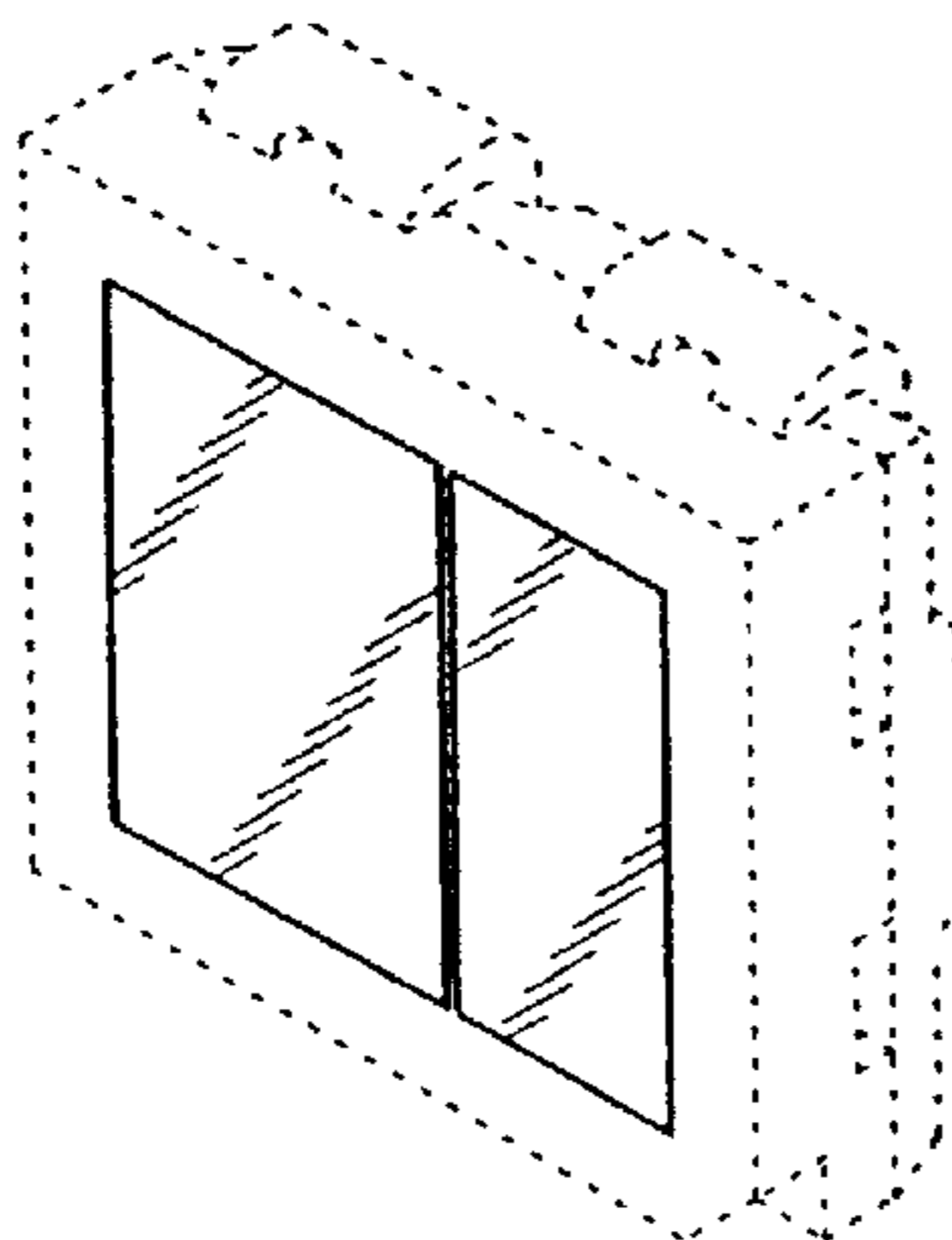
FIG. 6 is a right side elevation view thereof;

FIG. 7 is a bottom plan view thereof; and,

FIG. 8 is a rear elevation view thereof.

The broken line showing of the environment is for illustrative purpose only and forms no part of the claimed design.

1 Claim, 2 Drawing Sheets



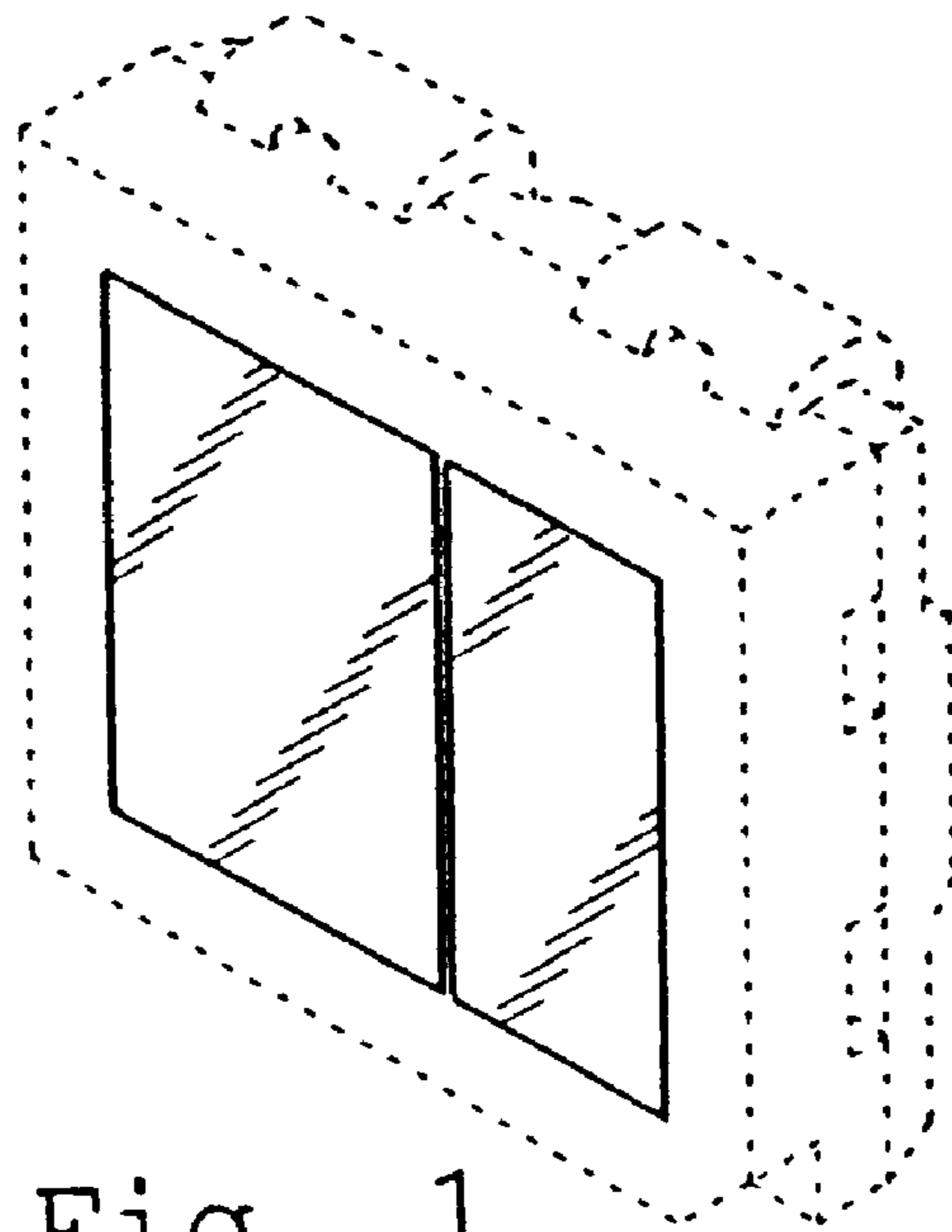


Fig. 1

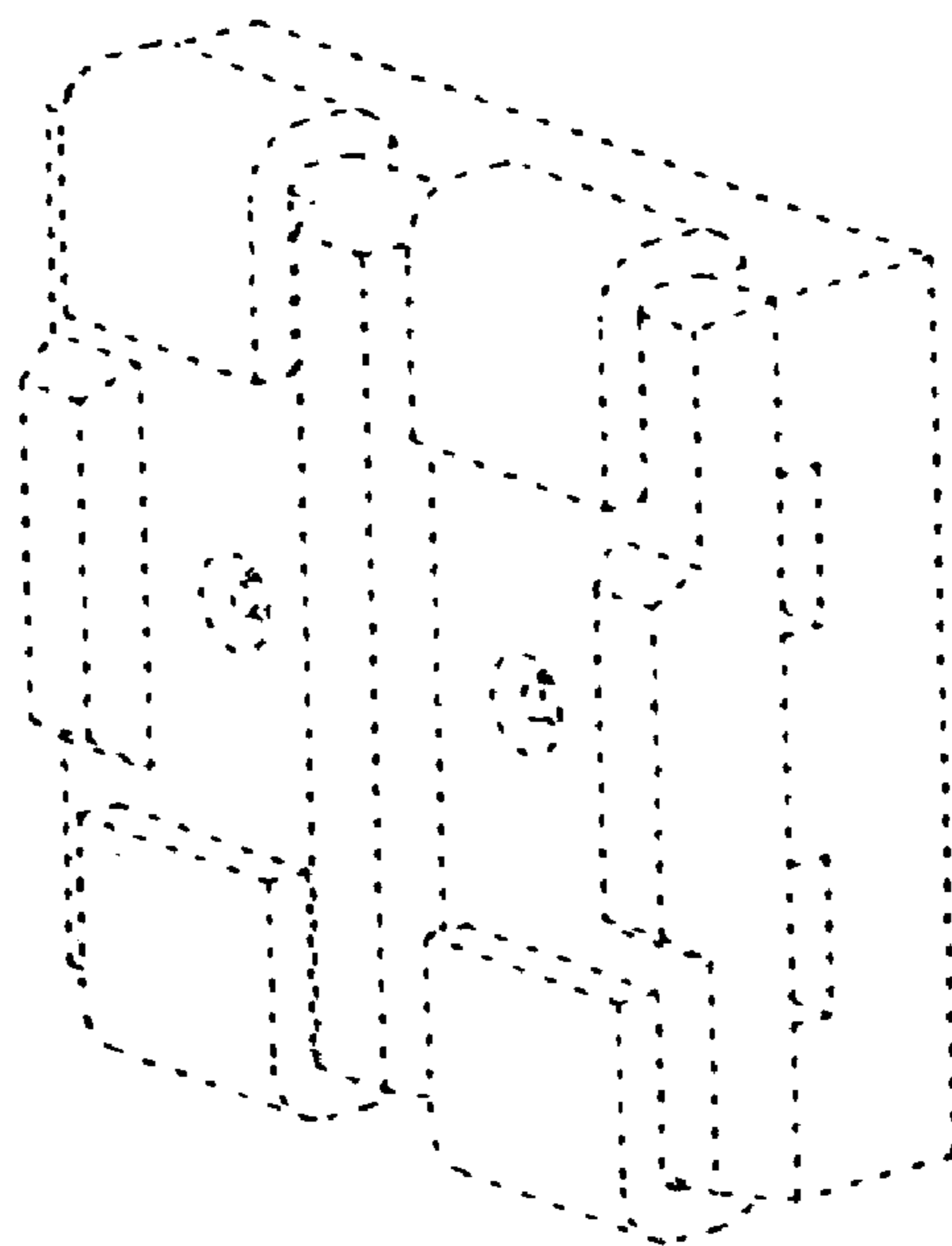


Fig. 2

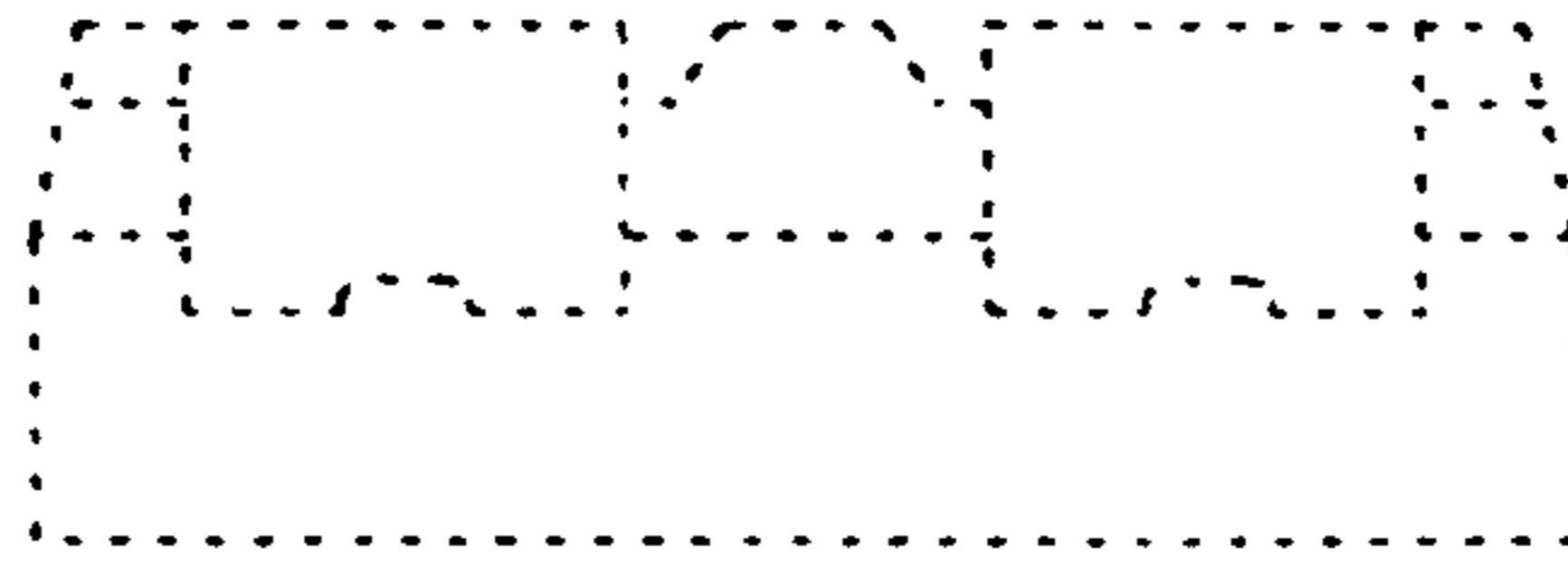


Fig. 3

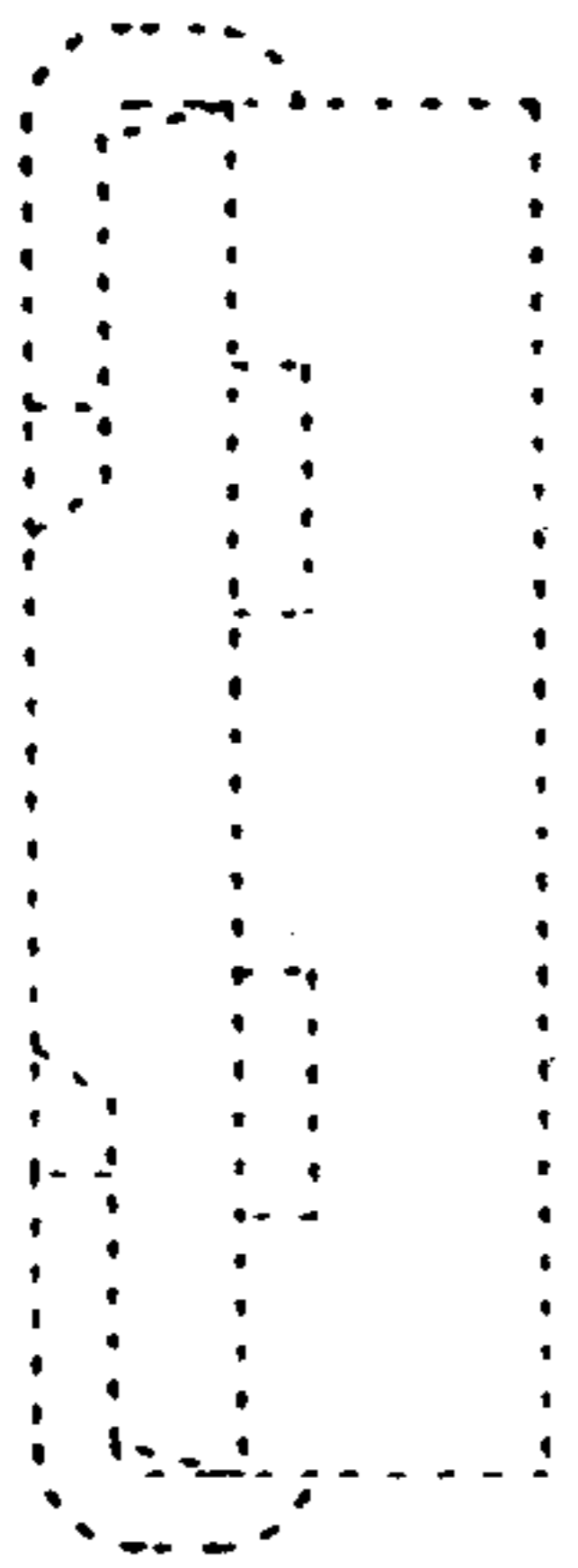


Fig. 4

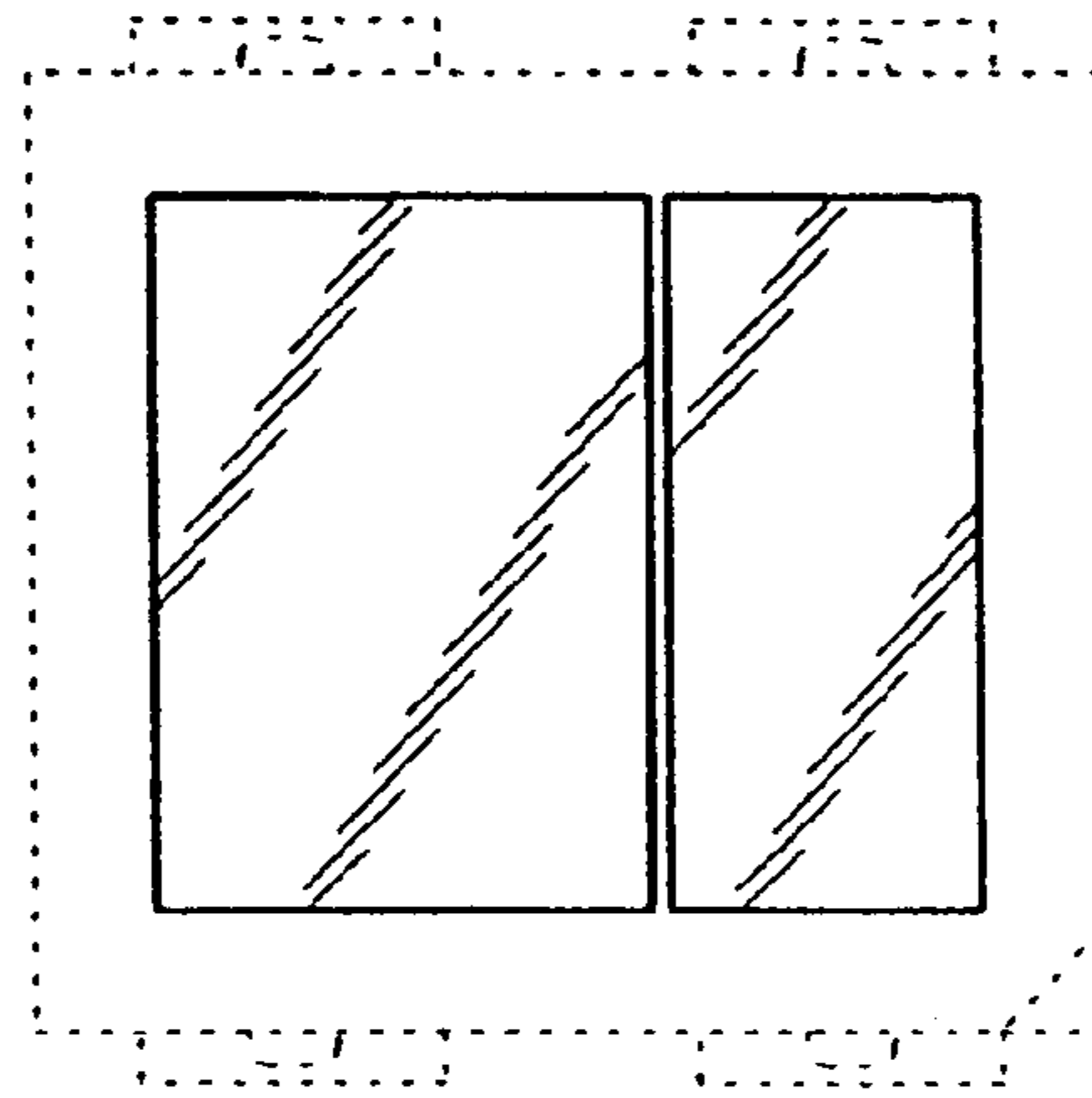


Fig. 5

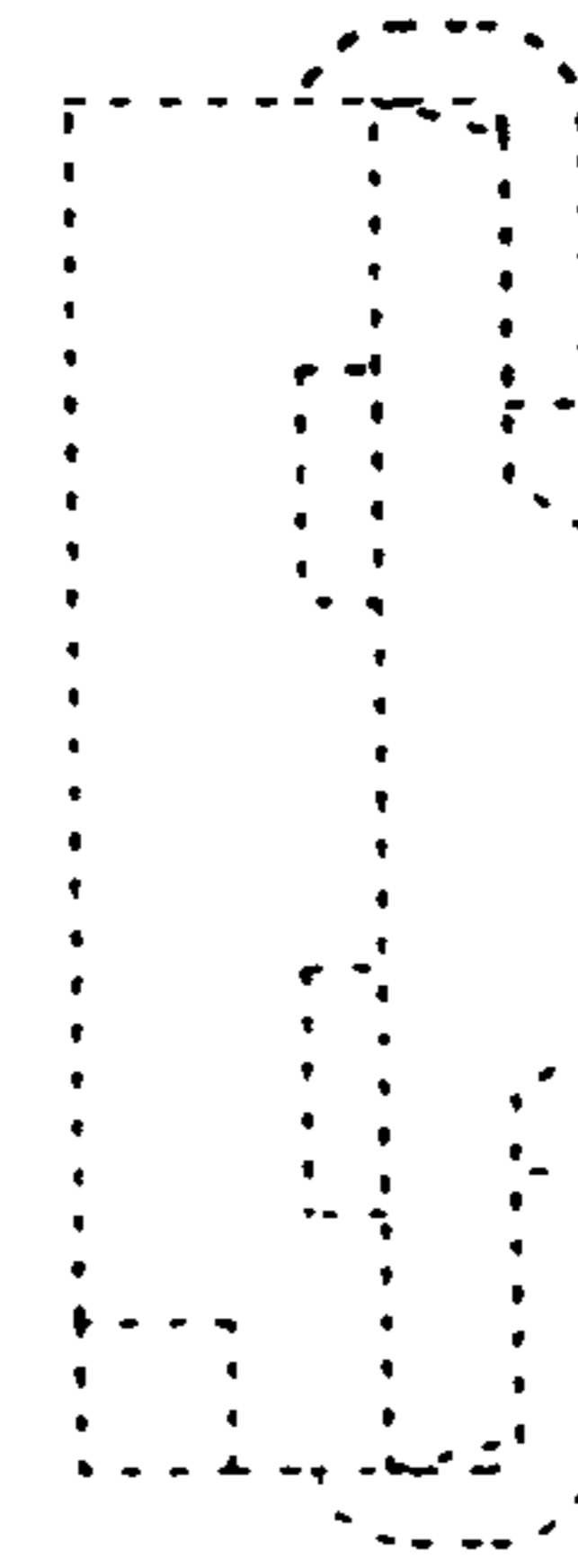


Fig. 6

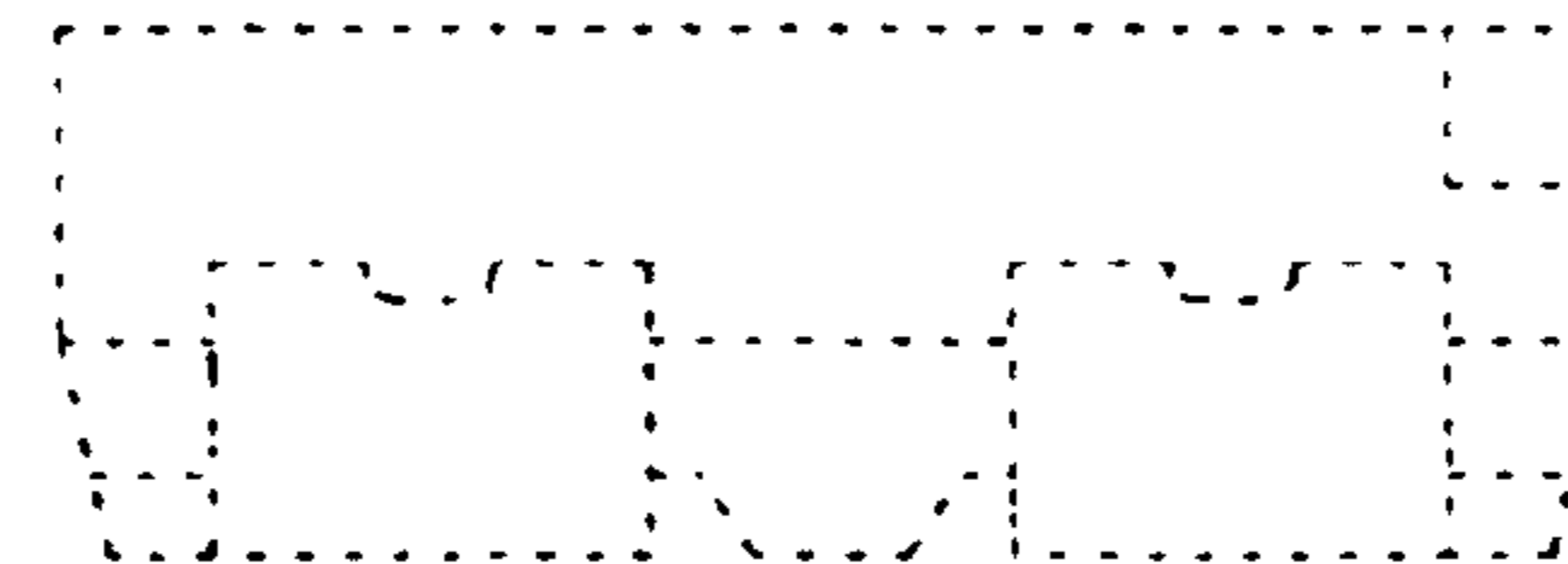


Fig. 7

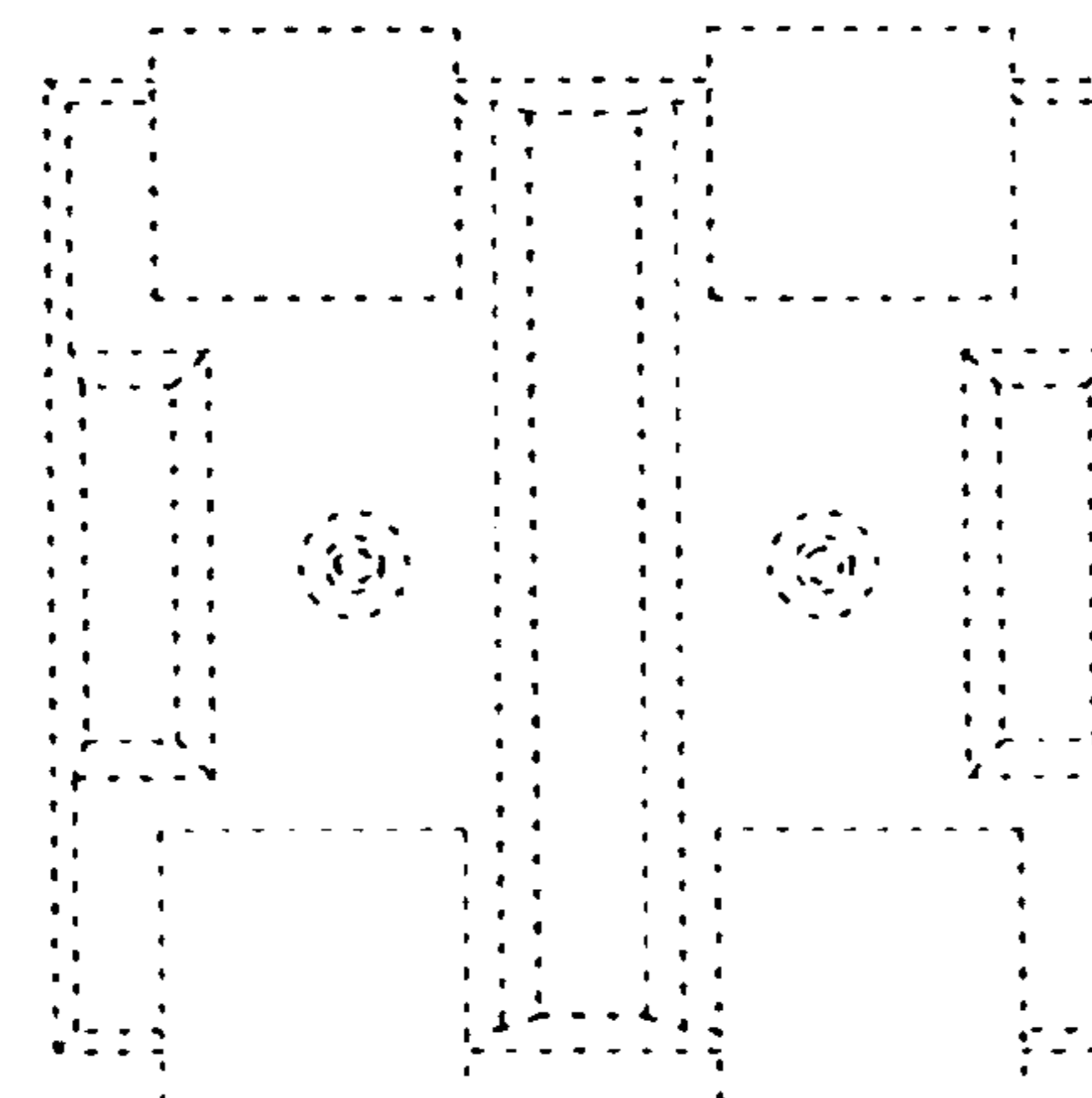


Fig. 8