



US00D539752S

(12) **United States Design Patent**
Ruddick

(10) **Patent No.:** **US D539,752 S**

(45) **Date of Patent:** **** Apr. 3, 2007**

(54) **CONDUIT**

(75) **Inventor:** **Paul David Ruddick**, Tyne & Wear
(GB)

(73) **Assignee:** **D-Line (Europe) Limited**, Newcastle
Upon Tyne (GB)

(**) **Term:** **14 Years**

(21) **Appl. No.:** **29/206,148**

(22) **Filed:** **May 27, 2004**

(30) **Foreign Application Priority Data**

Nov. 27, 2003 (EM) 109665

(51) **LOC (8) Cl.** **13-03**

(52) **U.S. Cl.** **D13/155**

(58) **Field of Classification Search** D13/139.2,
D13/154-156, 173, 184; D8/356; D25/119,
D25/124; 174/5 R, 481, 504, 66, 68.1, 68.3,
174/72 R, 72 C, 75 R, 82, 95-97, 480, 495;
52/287.1-288.1, 220.1, 220.7; 439/216; 138/92,
138/95, 100, 111, 162, 166, 168

See application file for complete search history.

(56) **References Cited**

U.S. PATENT DOCUMENTS

- 2,149,742 A * 3/1939 Miller 52/717.03
- 2,564,386 A * 8/1951 Webb 5/93.1
- D223,819 S * 6/1972 Edwards D12/401
- D252,793 S * 9/1979 Toder D8/377
- 4,530,865 A * 7/1985 Sprenger 428/35.7
- D288,802 S * 3/1987 Bramwell D13/155
- D295,521 S * 5/1988 Mockett D13/155

- D306,771 S * 3/1990 Gecchelin D26/75
- D314,757 S * 2/1991 Gecchelin D13/155
- D322,746 S * 12/1991 Sassano D8/356
- D371,343 S * 7/1996 Loftus D13/155
- 6,385,939 B1 * 5/2002 Stout 52/718.01
- D471,877 S * 3/2003 Dyer et al. D13/155

FOREIGN PATENT DOCUMENTS

- EM 000029814-0001 8/2003
- EM 000029814-0002 8/2003
- EM 000109665-0001 3/2004
- GB 3010551 2/2003
- GB 3010552 2/2003

* cited by examiner

Primary Examiner—Alan P. Douglas

Assistant Examiner—Rosemary K. Tarcza

(74) *Attorney, Agent, or Firm*—Buchanan Ingersoll &
Rooney PC

(57) **CLAIM**

The ornamental design for a conduit, as shown and described.

DESCRIPTION

FIG. 1 is a front, top perspective view of a conduit showing my new design.

FIG. 2 is a rear, top perspective view thereof.

FIG. 3 is a top plan view thereof.

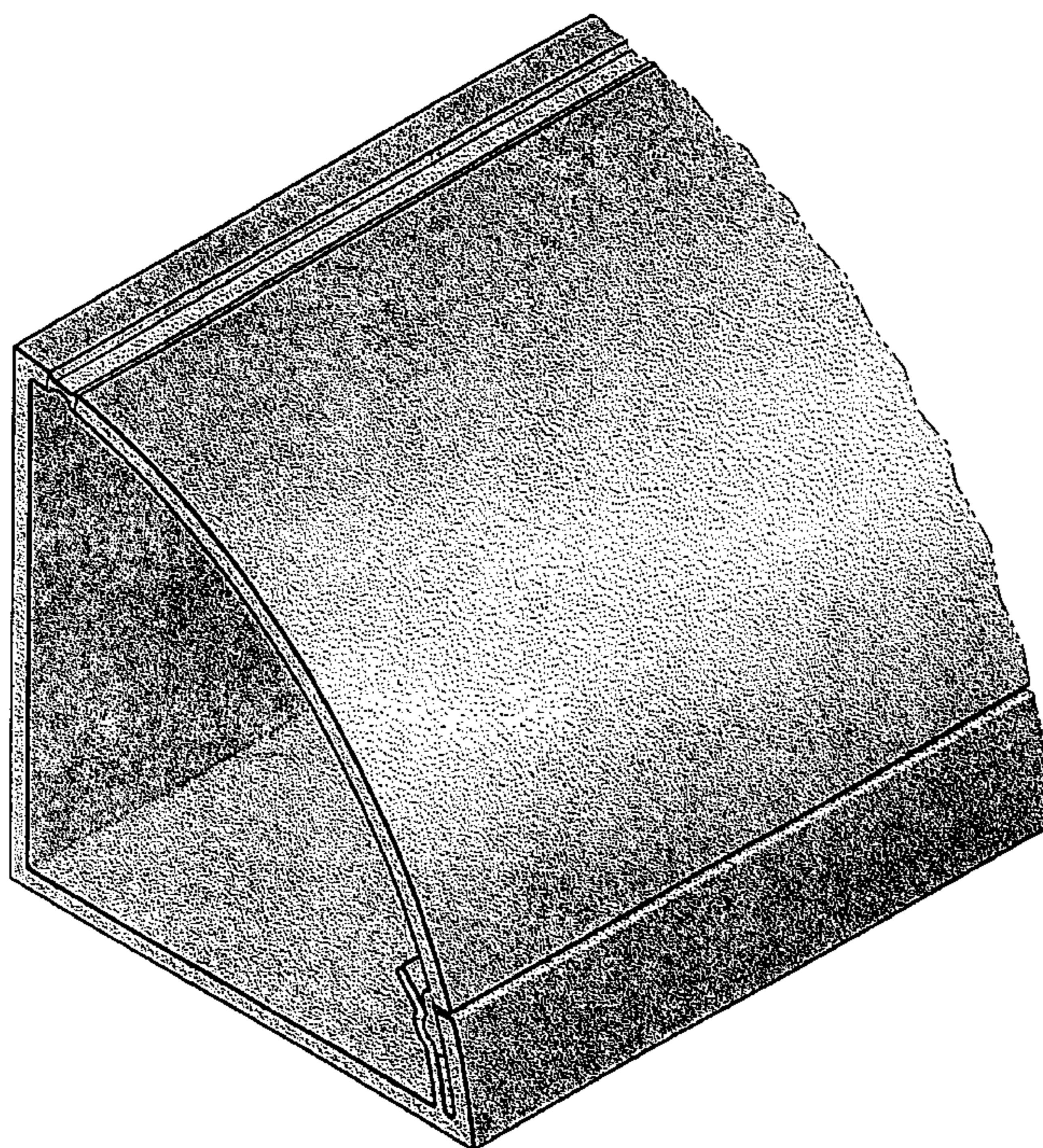
FIG. 4 is a bottom plan view thereof.

FIG. 5 is a front elevational view thereof.

FIG. 6 is a rear elevational view thereof; and,

FIG. 7 is an end elevational view, the other side being a mirror image thereof.

1 Claim, 5 Drawing Sheets



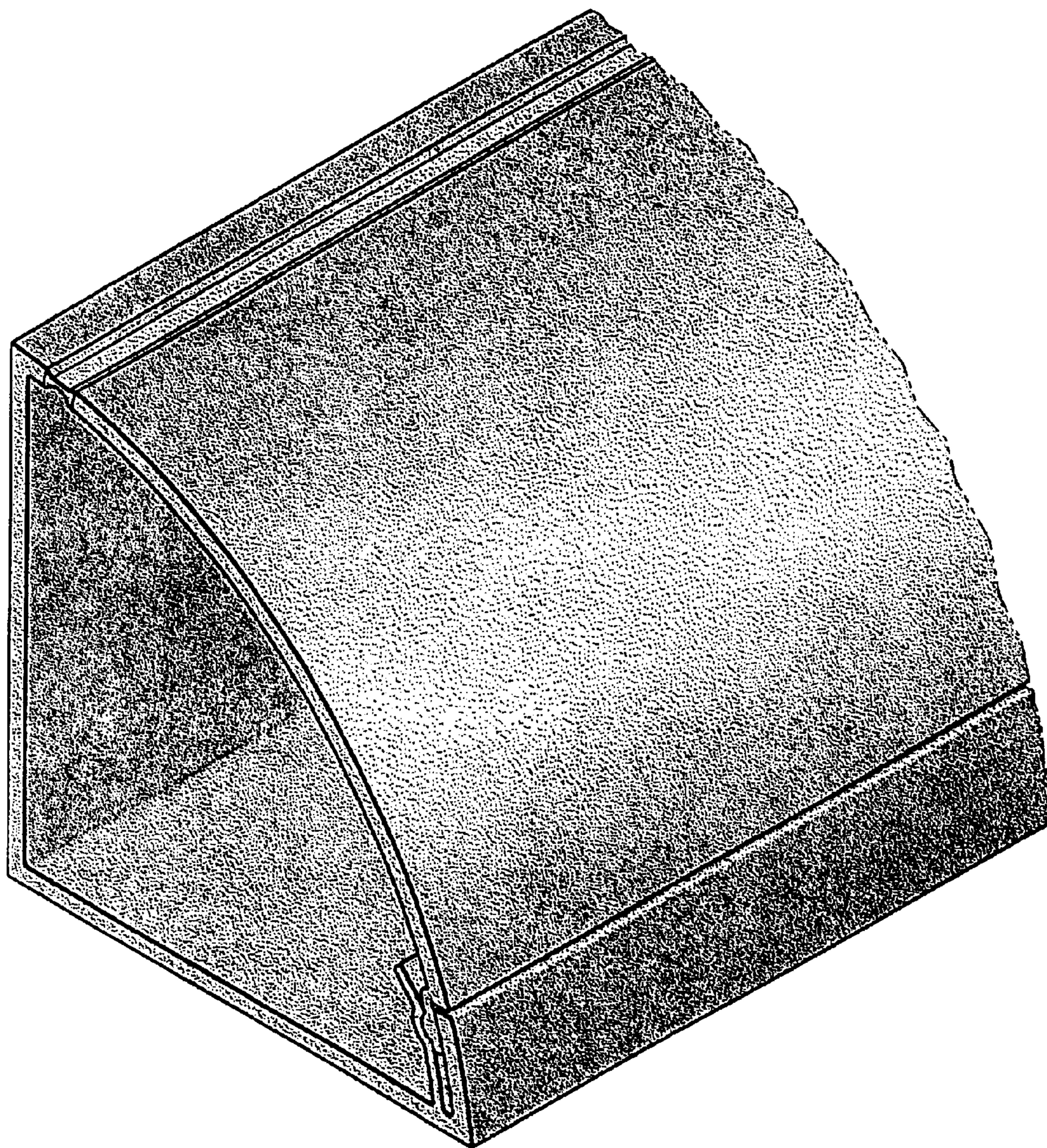


FIG. 1

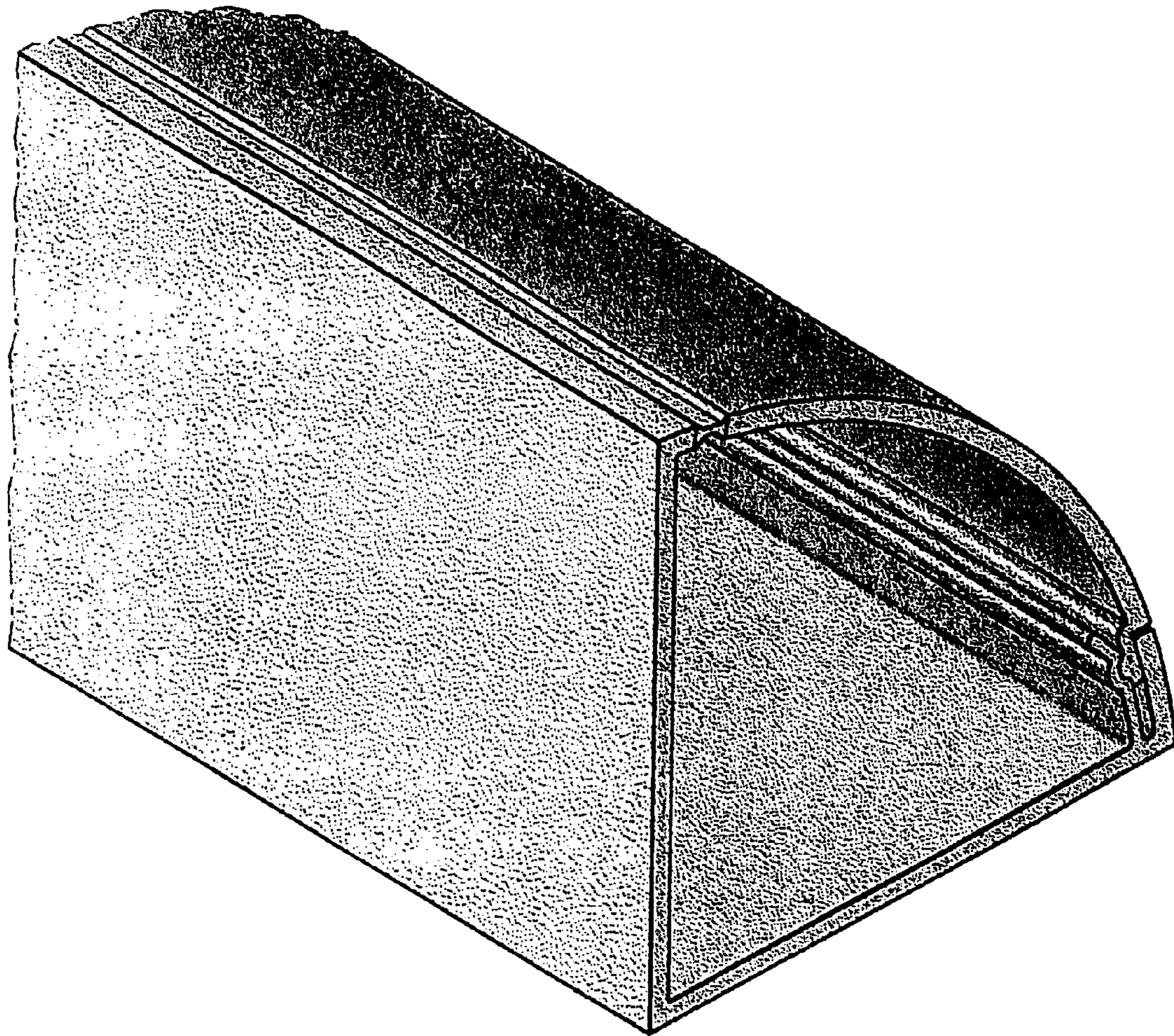


FIG. 2

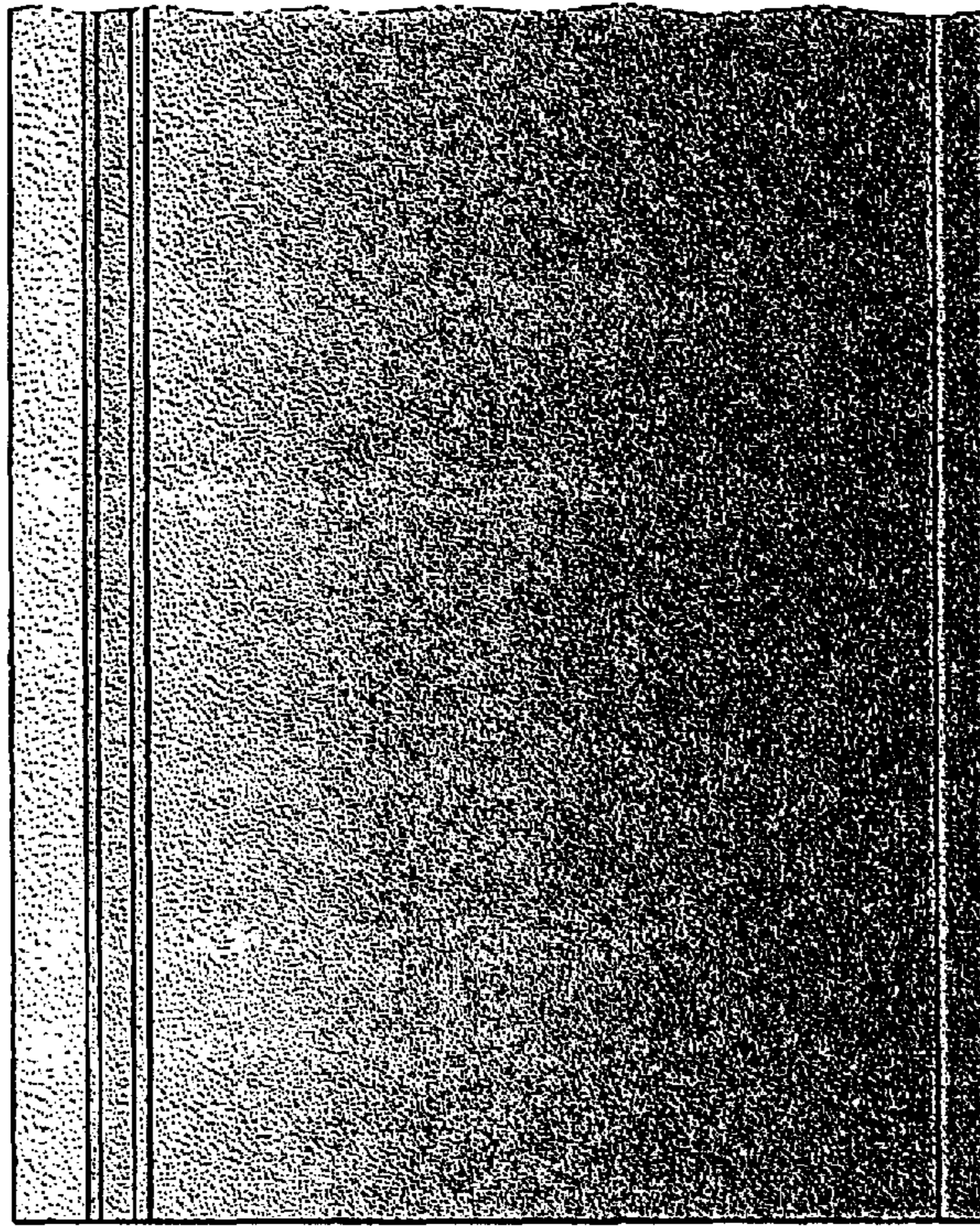


FIG. 3

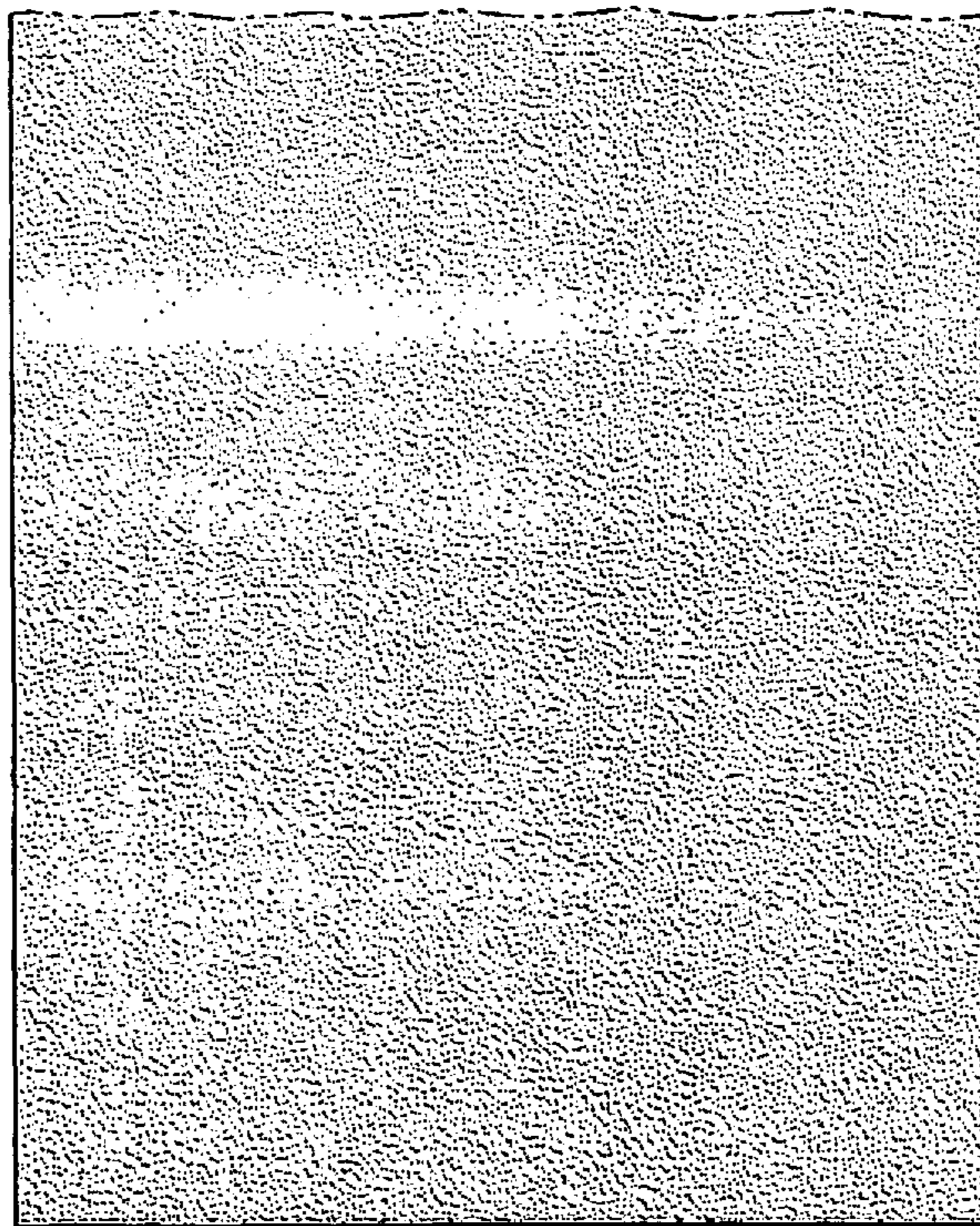


FIG. 4

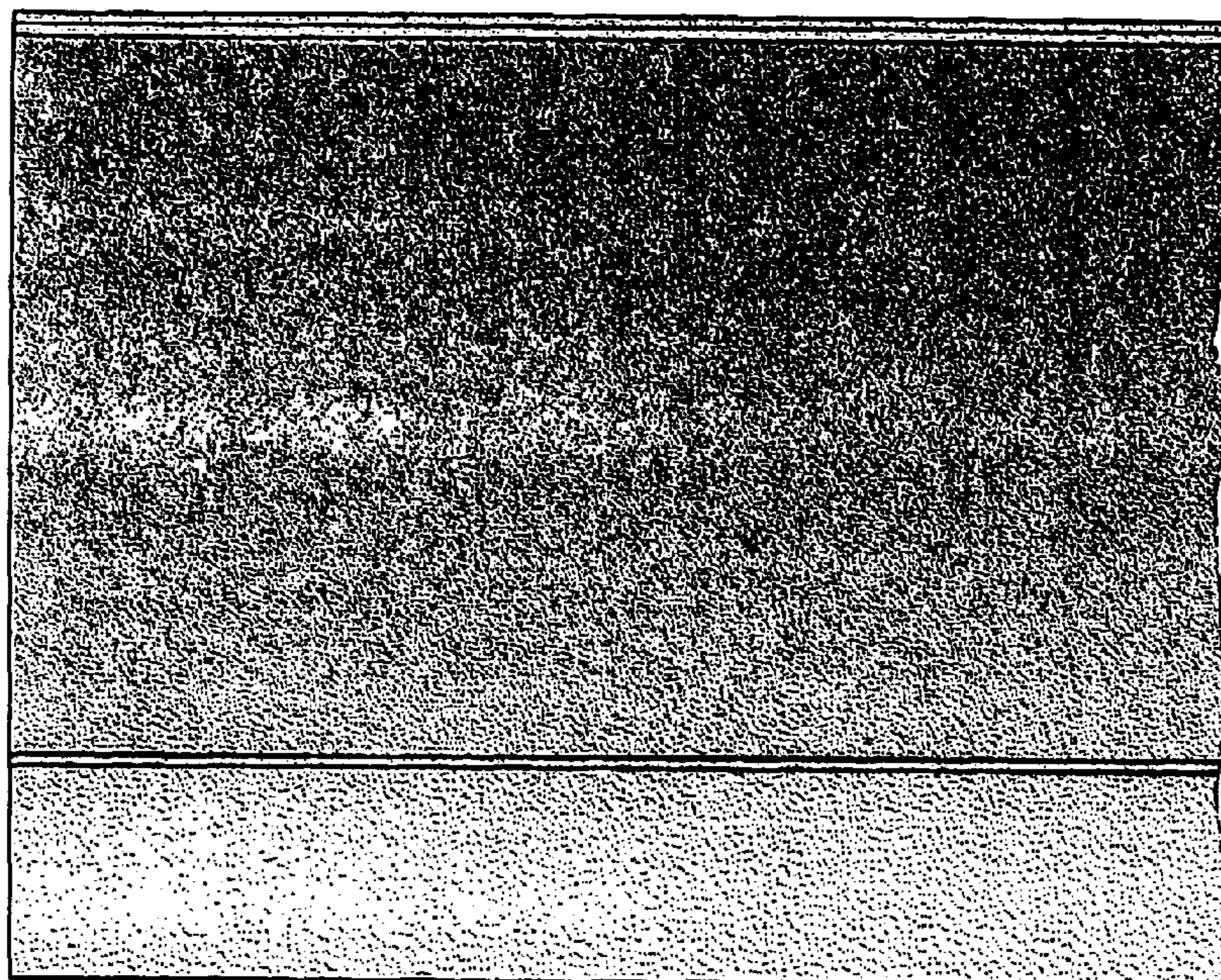


FIG. 5

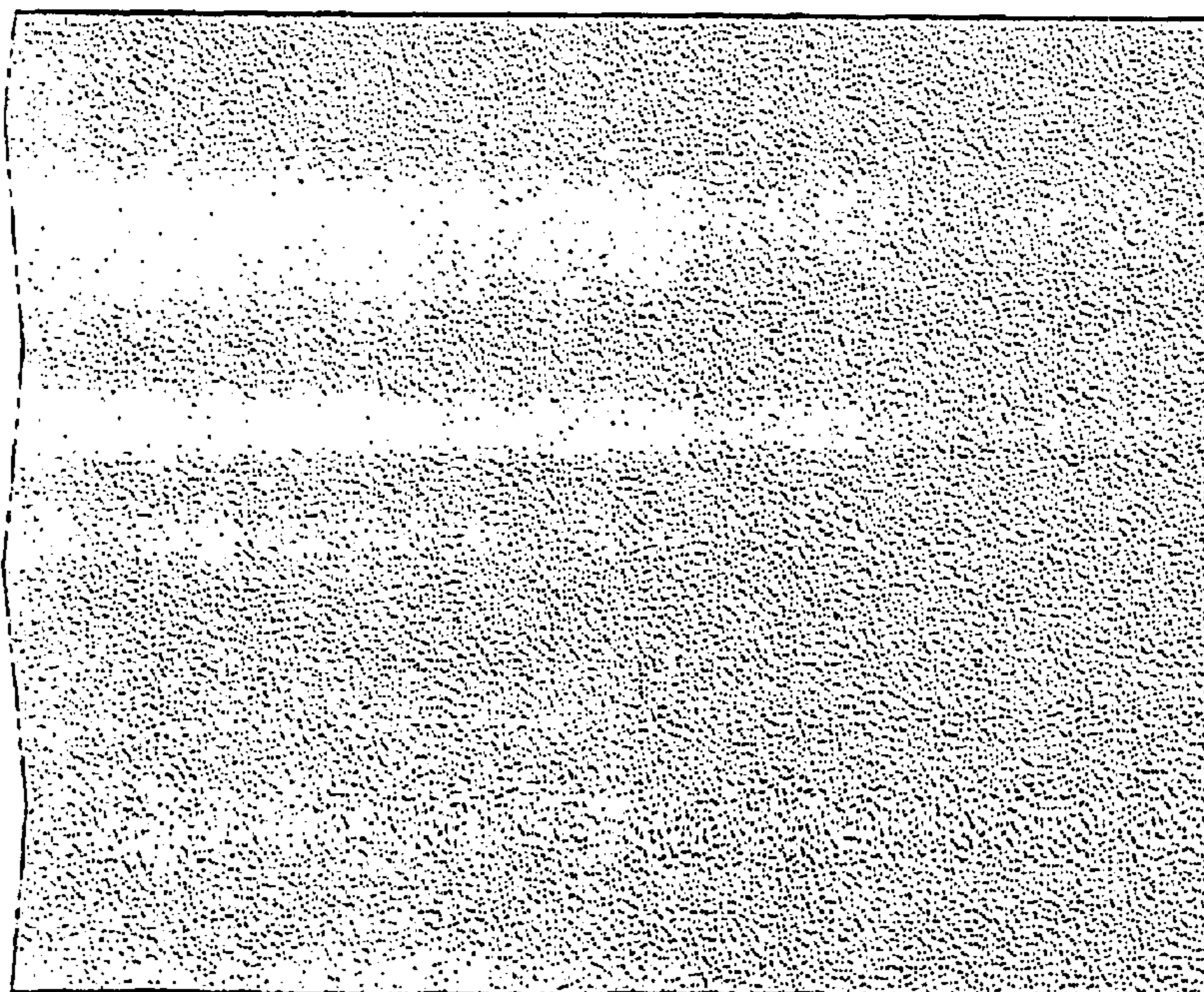


FIG. 6

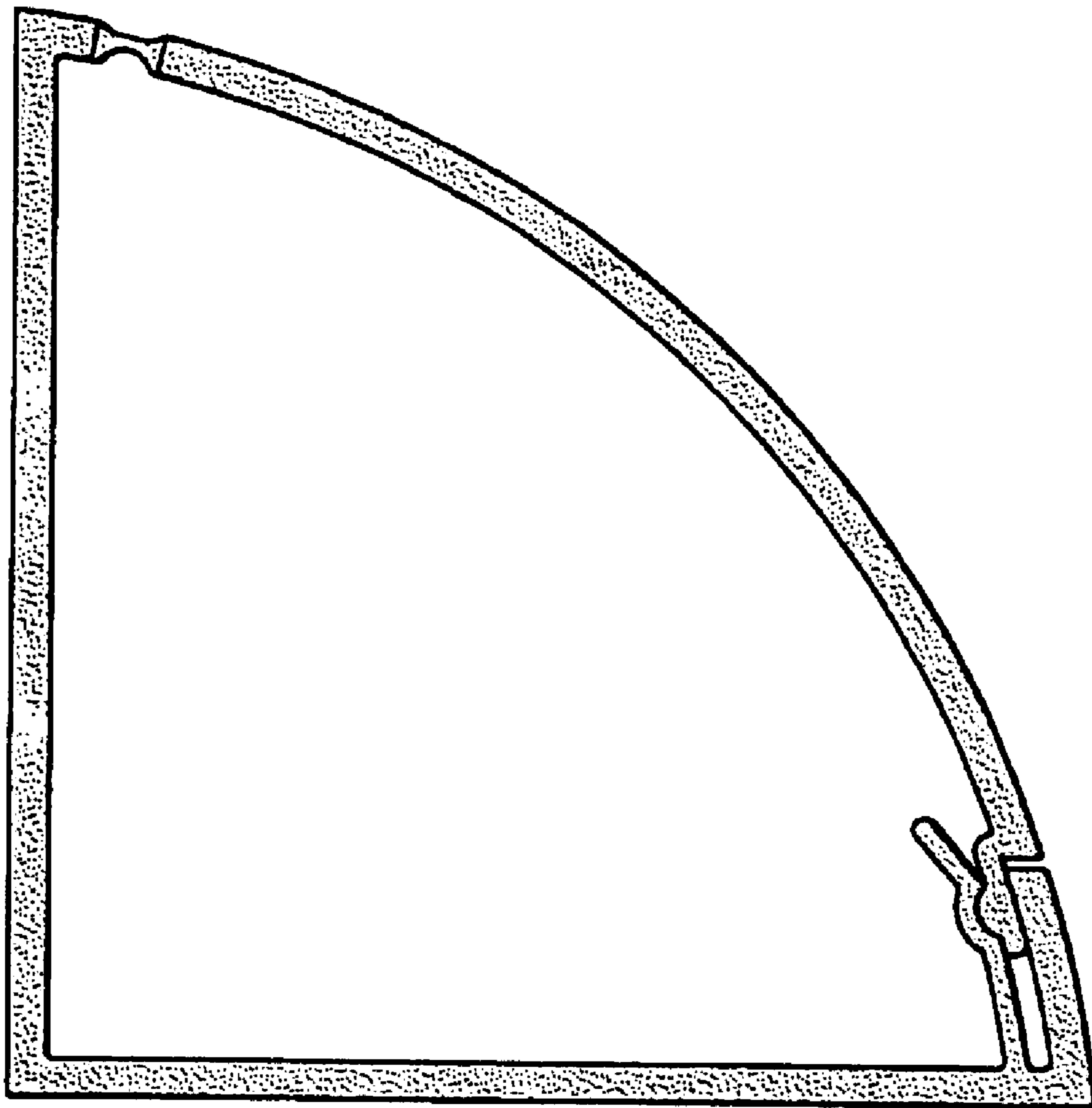


FIG. 7