



US00D539751S

(12) **United States Design Patent**
Kiely

(10) **Patent No.:** **US D539,751 S**

(45) **Date of Patent:** **** Apr. 3, 2007**

(54) **UNIVERSAL LOW VOLTAGE BOX BRACKET**

(75) Inventor: **Kenneth M. Kiely**, Milford, CT (US)

(73) Assignee: **Bridgeport Fittings, Inc.**, Stratford, CT (US)

(**) Term: **14 Years**

(21) Appl. No.: **29/265,670**

(22) Filed: **Sep. 6, 2006**

6,093,890 A	7/2000	Gretz	
6,346,674 B1	2/2002	Gretz	
D457,140 S	5/2002	Roesch et al.	
D459,312 S	6/2002	Roesch et al.	
D462,664 S *	9/2002	Roesch et al. D13/152
6,452,098 B1	9/2002	Gretz	
6,452,813 B1	9/2002	Gretz	
6,624,355 B1	9/2003	Gretz	
6,710,245 B2	3/2004	Roesch et al.	
6,812,405 B1	11/2004	Hull et al.	
D510,323 S *	10/2005	Hawken D13/152
D513,495 S *	1/2006	Hull et al. D13/152
2004/0182857 A1 *	9/2004	Feyes et al. 220/3.2
2005/0051546 A1 *	3/2005	Dinh 220/3.7

Related U.S. Application Data

(62) Division of application No. 29/241,709, filed on Oct. 31, 2005.

(51) **LOC (8) Cl.** **13-03**

(52) **U.S. Cl.** **D13/152**

(58) **Field of Classification Search** D13/126,
D13/139.4, 147, 152, 158, 184; 174/480-481,
174/53-54, 58; 220/3.2-3.3, 3.6-3.9; 439/535,
439/536

See application file for complete search history.

* cited by examiner

Primary Examiner—Alan P. Douglas

Assistant Examiner—Rosemary K. Tarcza

(74) *Attorney, Agent, or Firm*—Fattibene & Fattibene; Paul A. Fattibene; Arthur T. Fattibene

(57) **CLAIM**

The ornamental design for a universal low voltage box bracket, as shown and described.

DESCRIPTION

FIG. 1 is a perspective view of a universal low voltage box bracket showing the new design.

FIG. 2 is a top plan view thereof.

FIG. 3 is a front elevation view thereof.

FIG. 4 is a back elevation view thereof.

FIG. 5 is a bottom plan view thereof.

FIG. 6 is a right side view thereof; and,

FIG. 7 is a left side view thereof.

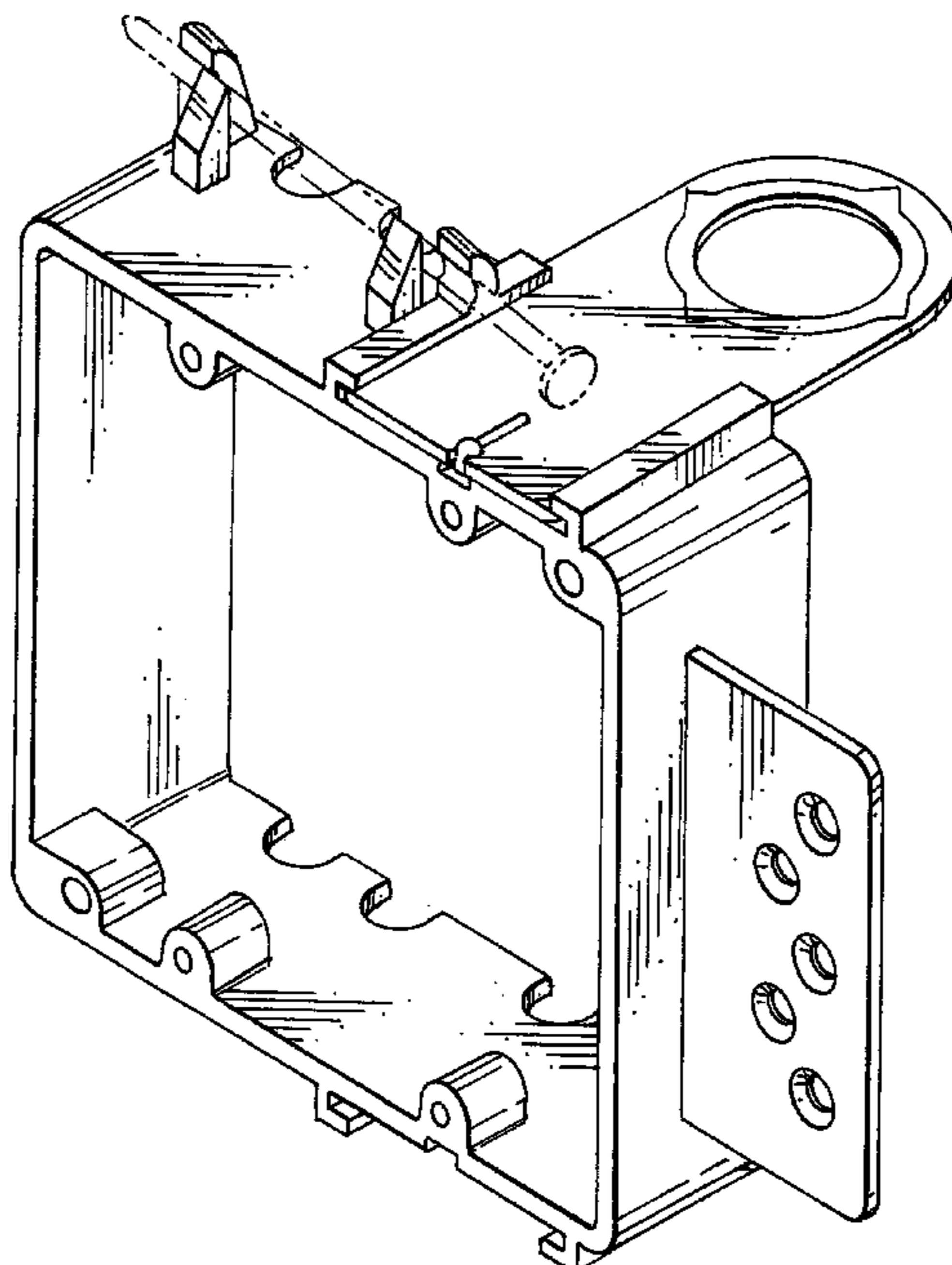
The broken lines shown are for illustrative purposes only and form no part of the claimed design.

(56) **References Cited**

U.S. PATENT DOCUMENTS

3,740,451 A *	6/1973	Schindler et al. 174/58
3,862,351 A *	1/1975	Schindler et al. 174/58
RE28,489 E *	7/1975	Schindler et al. 174/58
3,926,330 A *	12/1975	Deming et al. 220/3.9
4,202,457 A *	5/1980	Tansi 220/3.3
4,335,271 A *	6/1982	Haslbeck 174/661
4,954,667 A *	9/1990	Jorgensen et al. 174/53
5,488,011 A	1/1996	Figura et al.	
5,639,991 A *	6/1997	Schuette 174/58
D427,889 S	7/2000	Gretz	

1 Claim, 4 Drawing Sheets



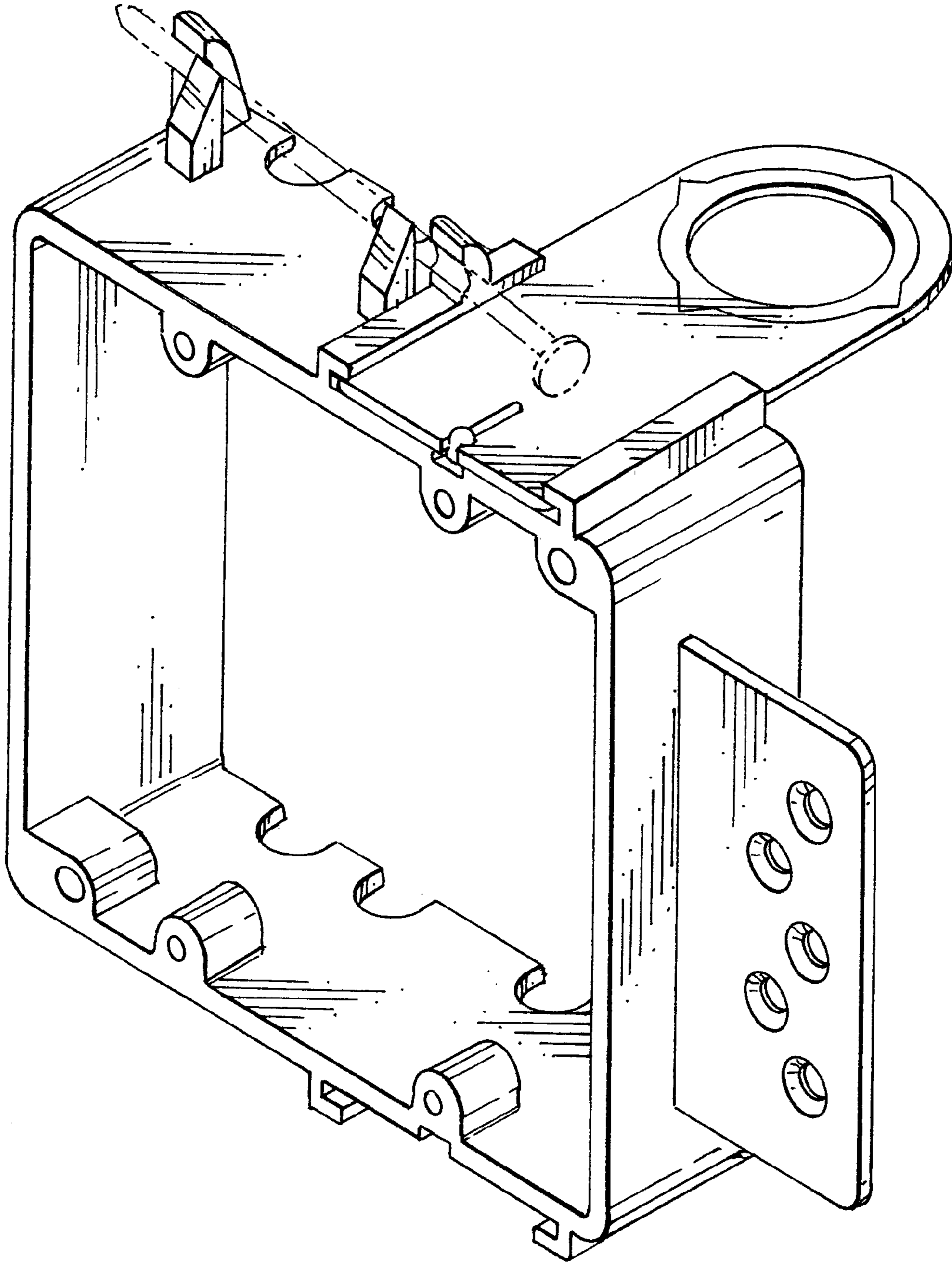
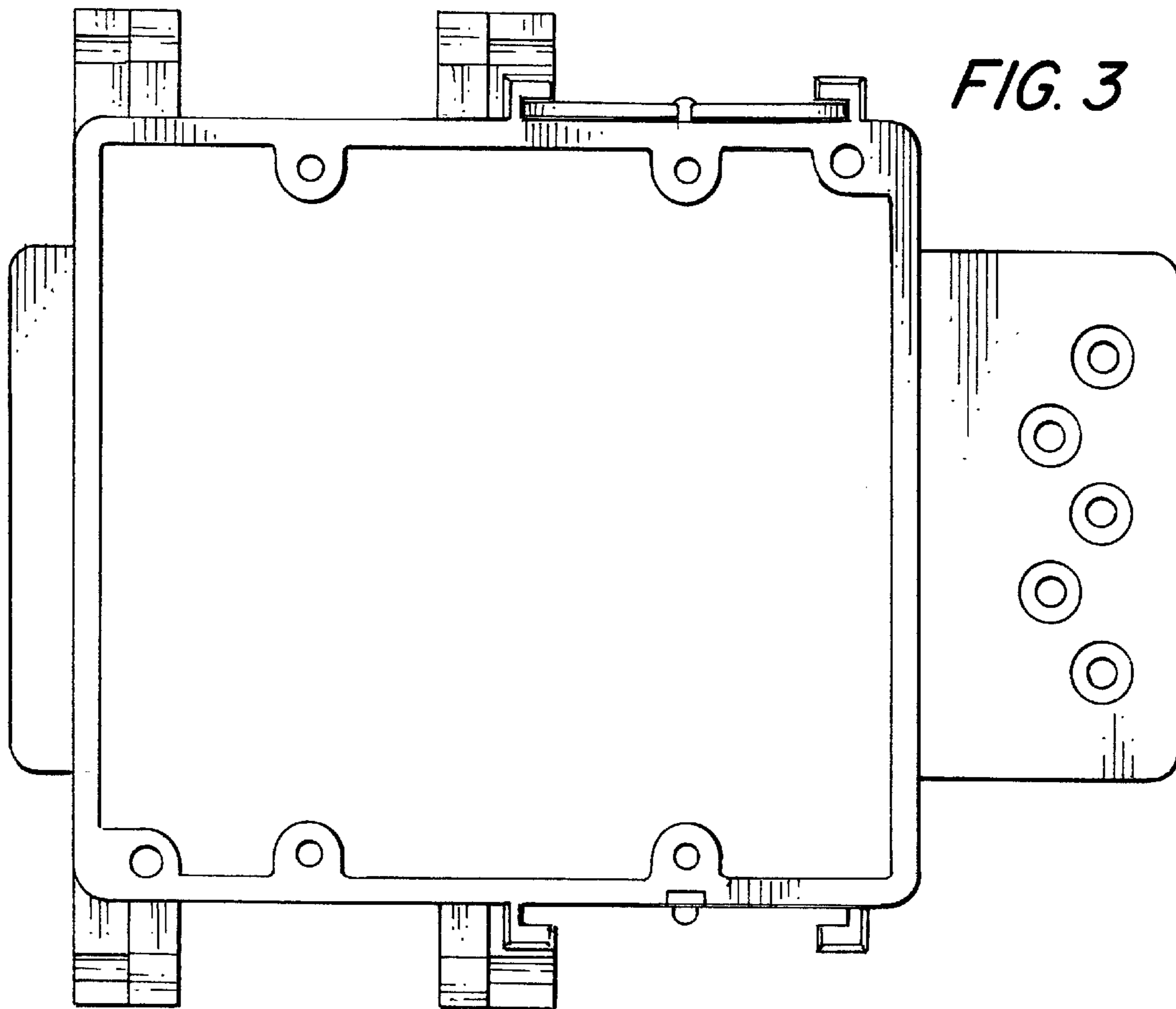
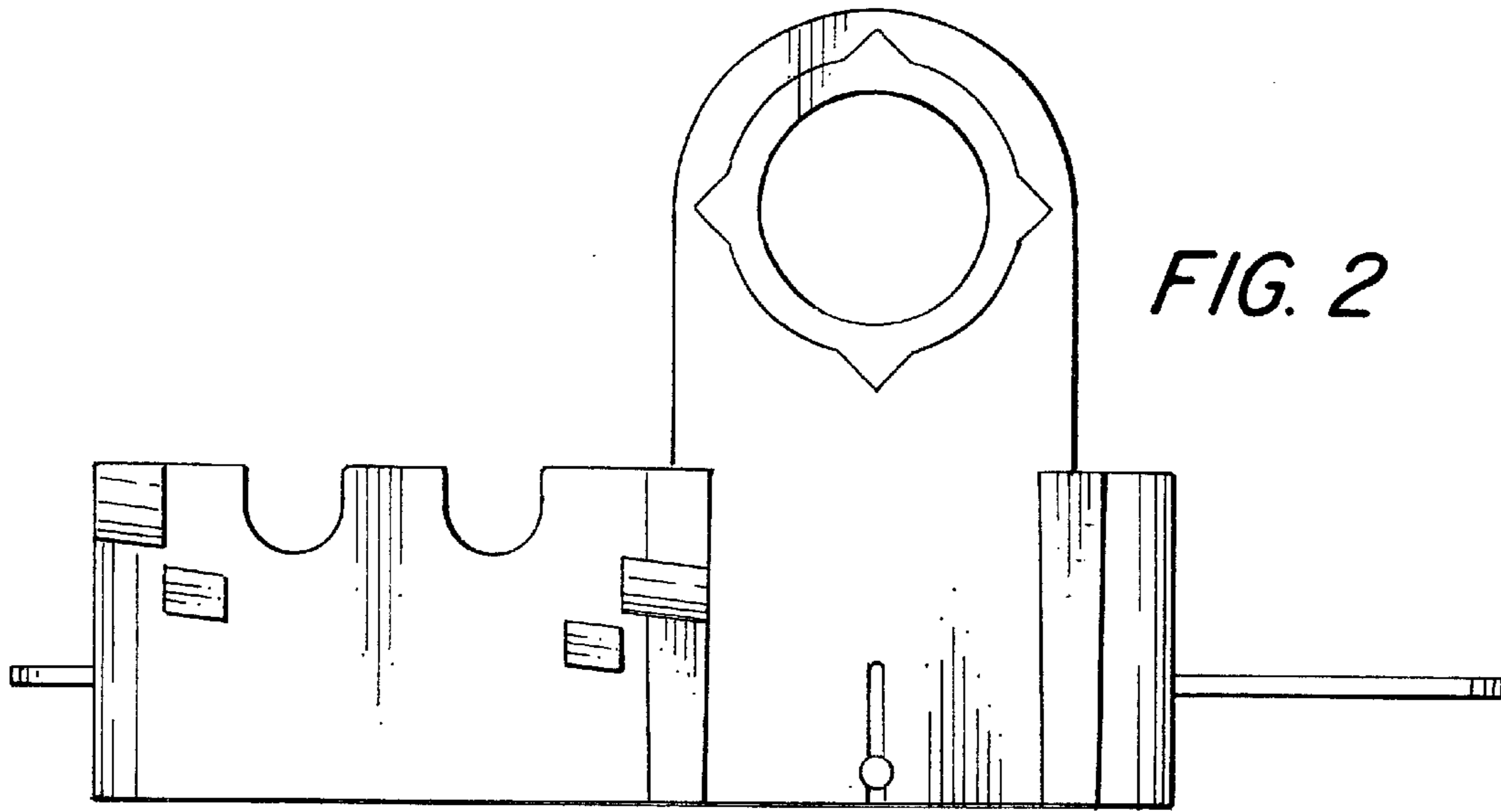


FIG. 1



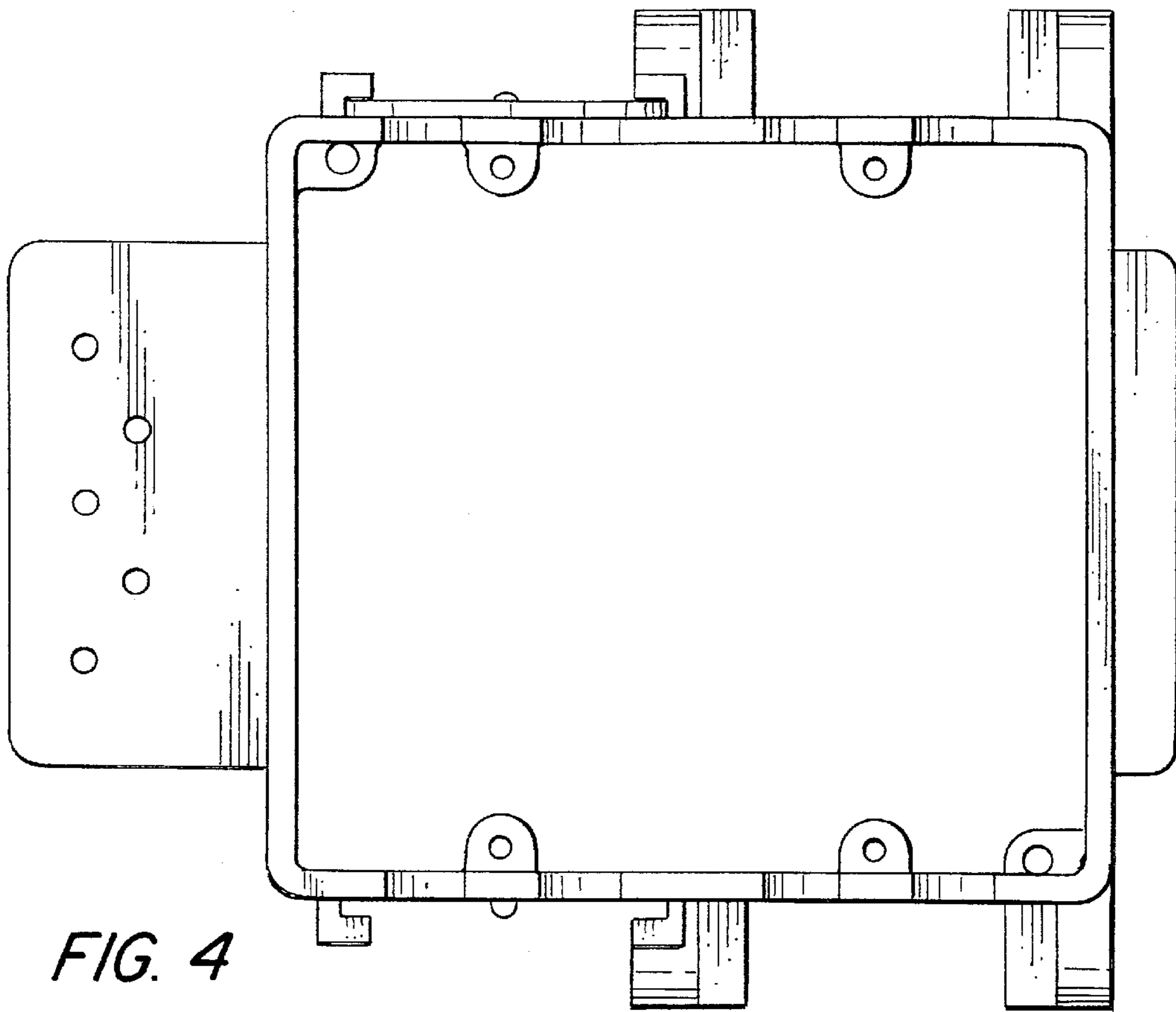


FIG. 4

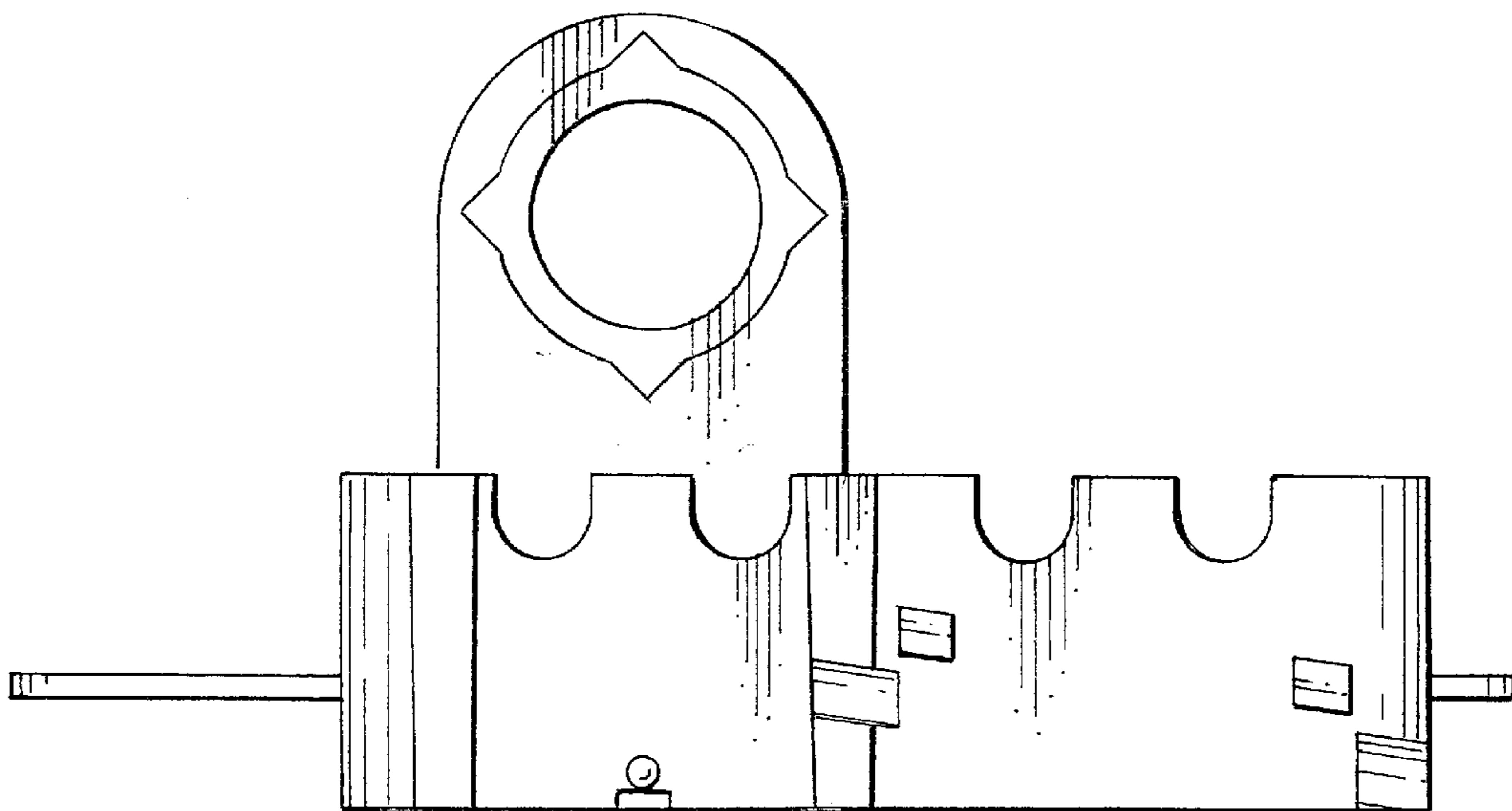


FIG. 5

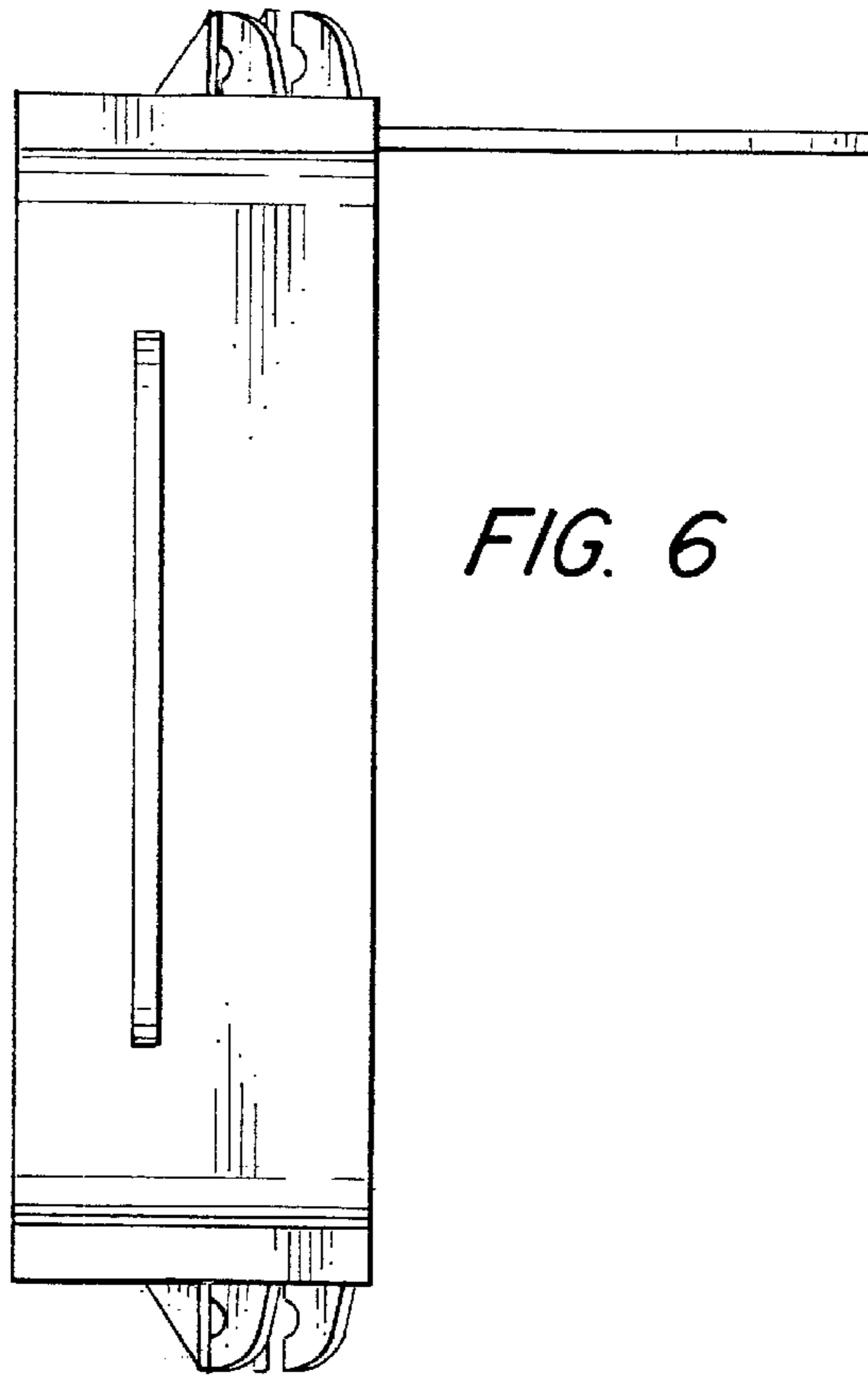


FIG. 6

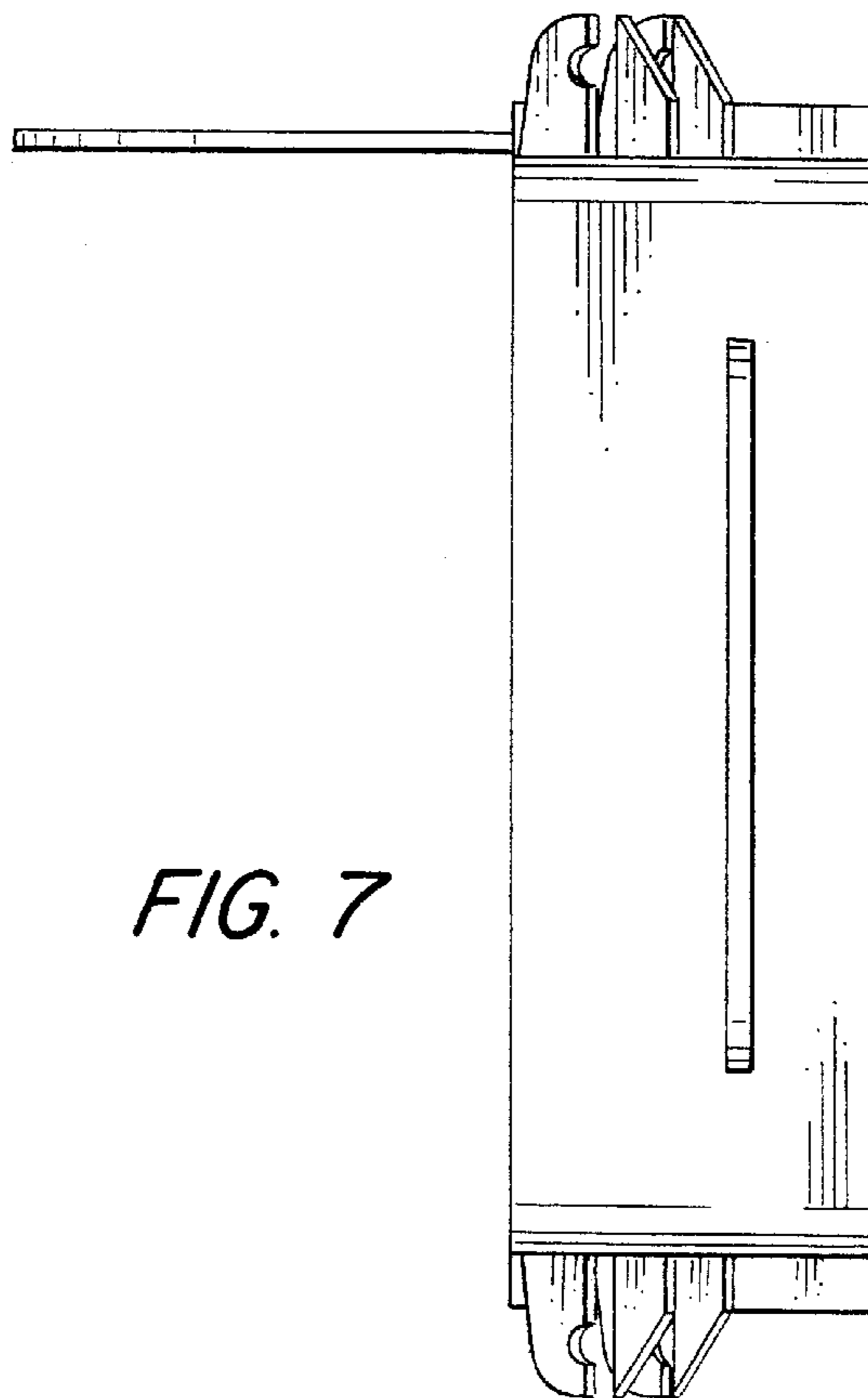


FIG. 7