



US00D539750S

(12) **United States Design Patent**
Takahashi et al.

(10) **Patent No.:** **US D539,750 S**

(45) **Date of Patent:** **** Apr. 3, 2007**

(54) **ELECTRIC CONNECTOR**

(75) Inventors: **Hirokazu Takahashi**, Kawachi-gun
(JP); **Tadashi Masubuchi**, Moka (JP);
Ryoji Kitamuki, Moka (JP)

(73) Assignee: **DDK Ltd.**, Tokyo (JP)

(**) Term: **14 Years**

(21) Appl. No.: **29/265,136**

(22) Filed: **Aug. 24, 2006**

(30) **Foreign Application Priority Data**

Feb. 24, 2006 (JP) 2006-004398

(51) **LOC (8) Cl.** **13-03**

(52) **U.S. Cl.** **D13/147**

(58) **Field of Classification Search** D13/133,
D13/146-147, 154, 184, 199; D14/432-436,
D14/438; 439/326, 330-331, 341-342, 630
See application file for complete search history.

(56) **References Cited**

U.S. PATENT DOCUMENTS

6,053,776 A * 4/2000 Bricaud et al. 439/630
6,174,188 B1 * 1/2001 Martucci 439/326

D483,372 S * 12/2003 Watanabe et al. D14/433
6,805,570 B1 * 10/2004 Lee 439/326
D499,377 S * 12/2004 Chen et al. D13/147
D530,673 S * 10/2006 Wu D13/147

* cited by examiner

Primary Examiner—Daniel Bui

(74) *Attorney, Agent, or Firm*—Sughrue Mion, PLLC.;
Pavel I. Pogodin, Esq.

(57) **CLAIM**

The ornamental design for an electric connector, as shown
and described.

DESCRIPTION

FIG. 1 is a first top perspective view of an electric connector,
showing our new design;
FIG. 2 is a second top perspective view thereof;
FIG. 3 is a bottom perspective view thereof;
FIG. 4 is a front view thereof, the rear view being identical
to the front view;
FIG. 5 is a right side view thereof, the left side view being
identical to the right side view;
FIG. 6 is a top plan view thereof; and,
FIG. 7 is a bottom plan view thereof.

1 Claim, 3 Drawing Sheets

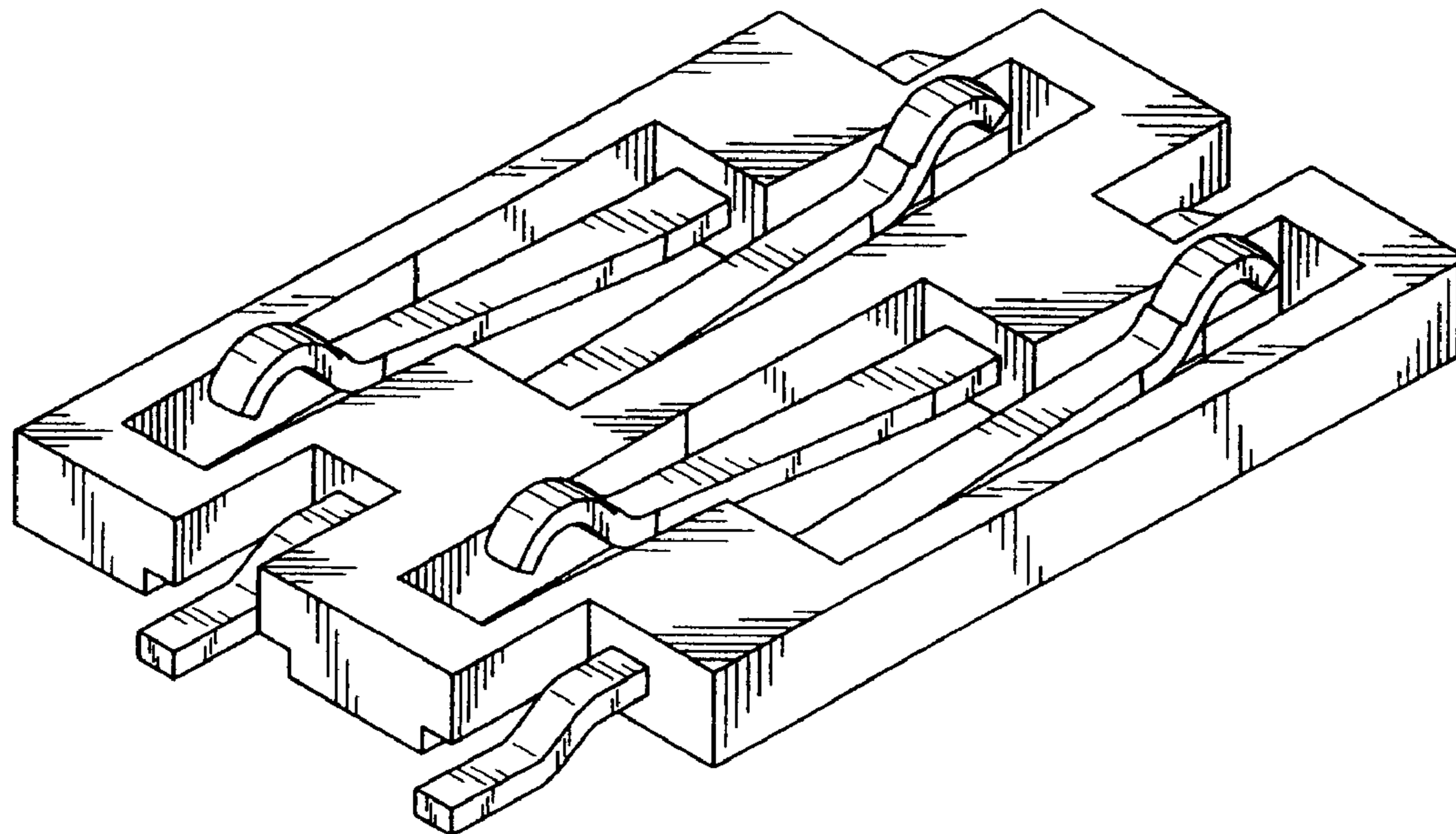


Fig.1

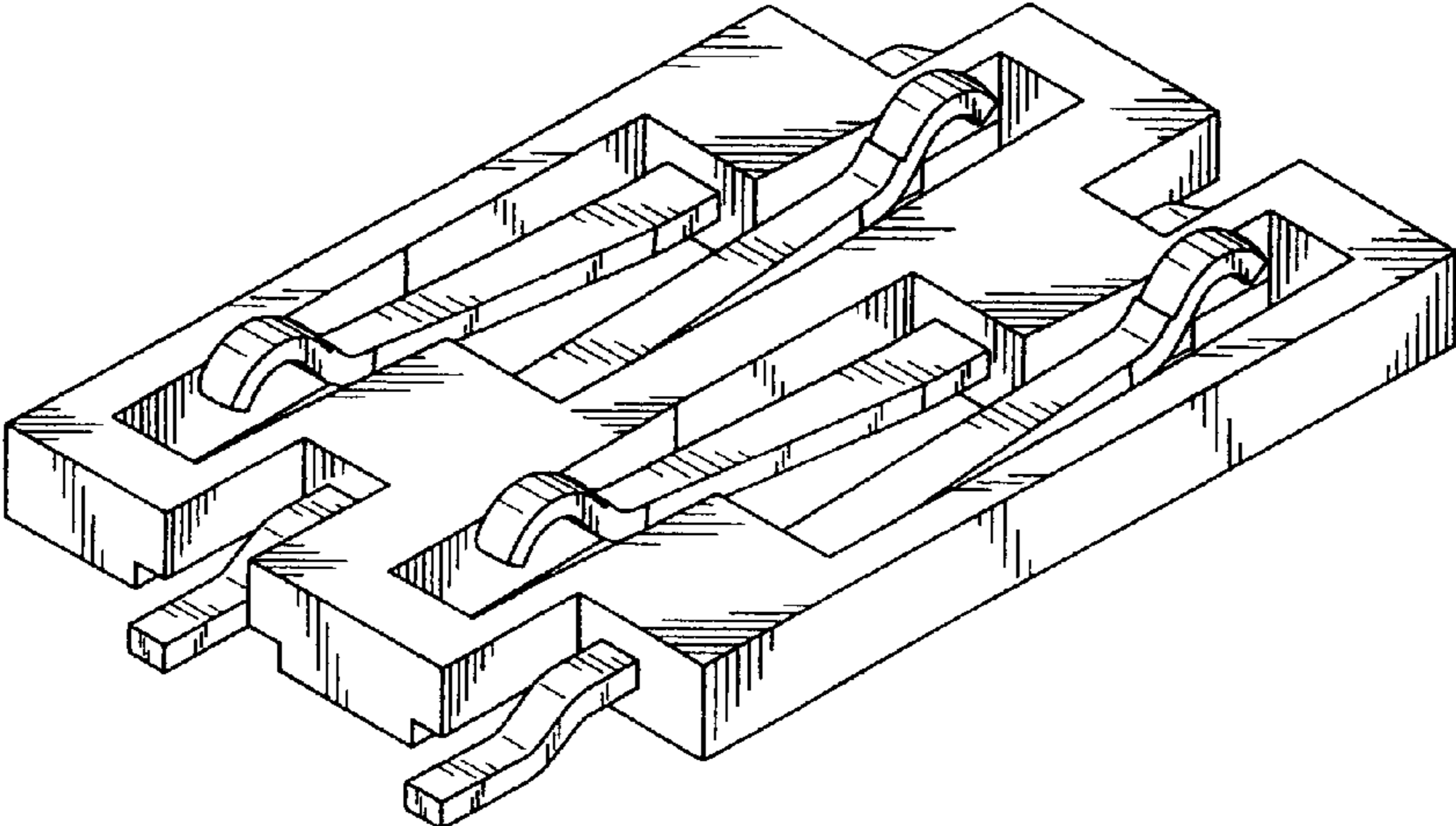


Fig.2

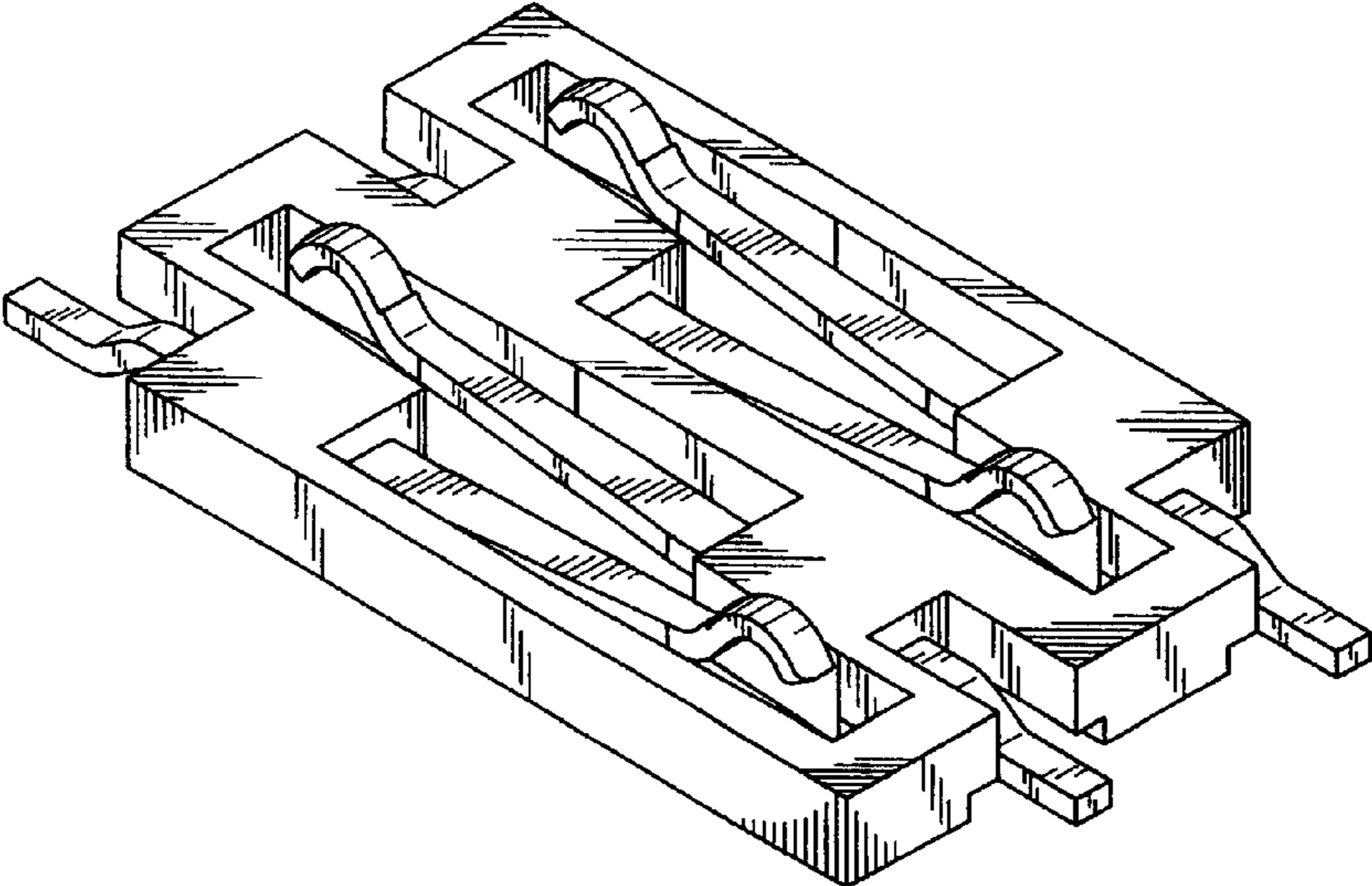


Fig.3

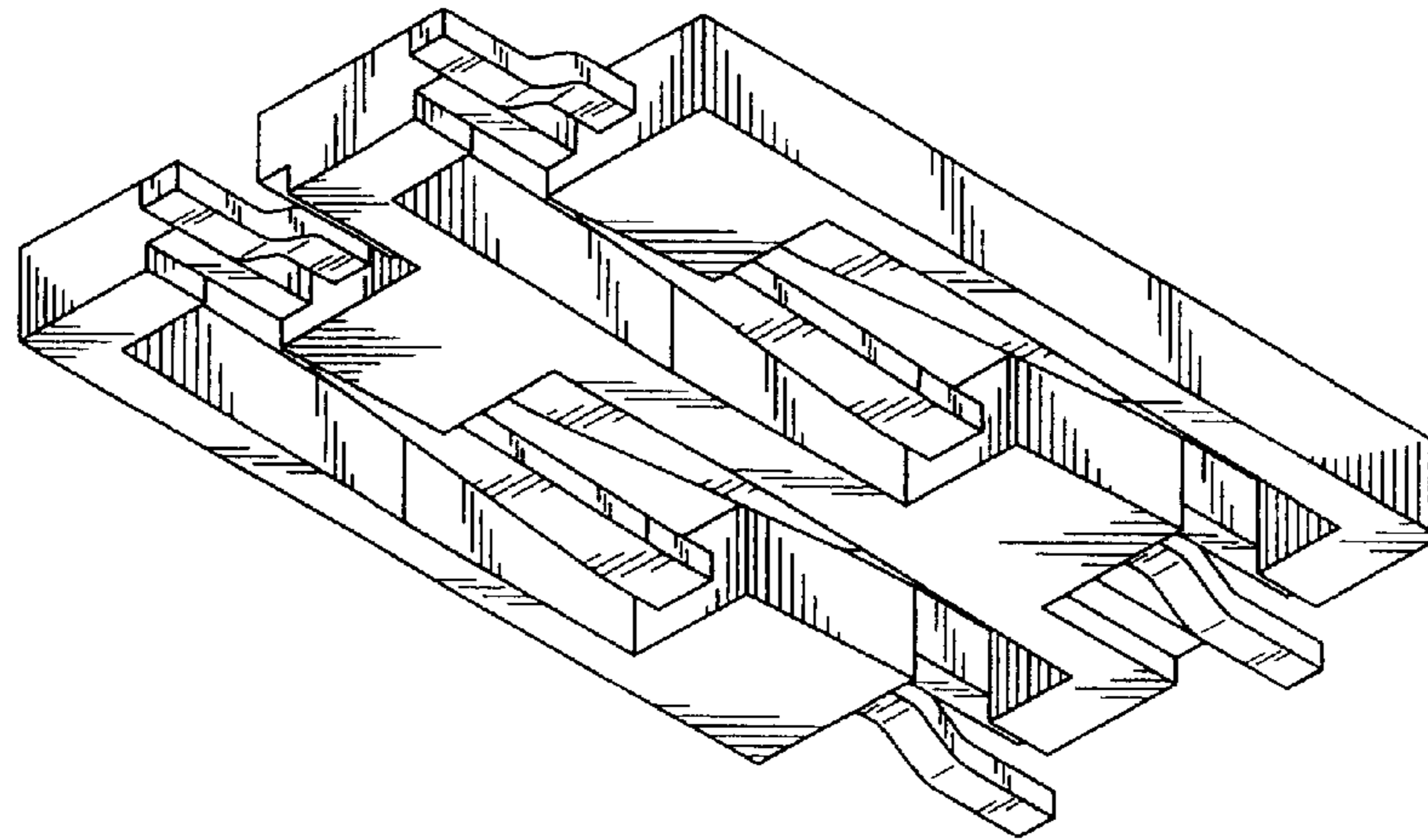


Fig.4

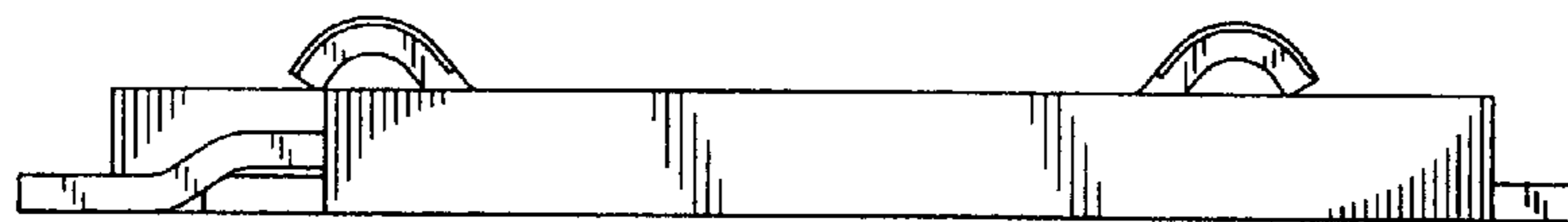


Fig.5

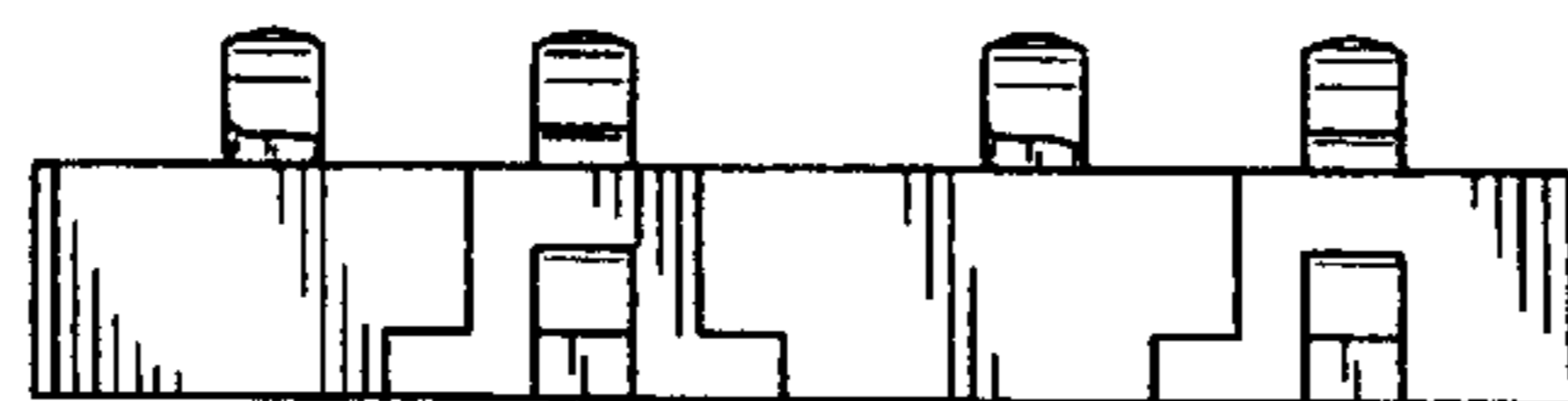


Fig.6

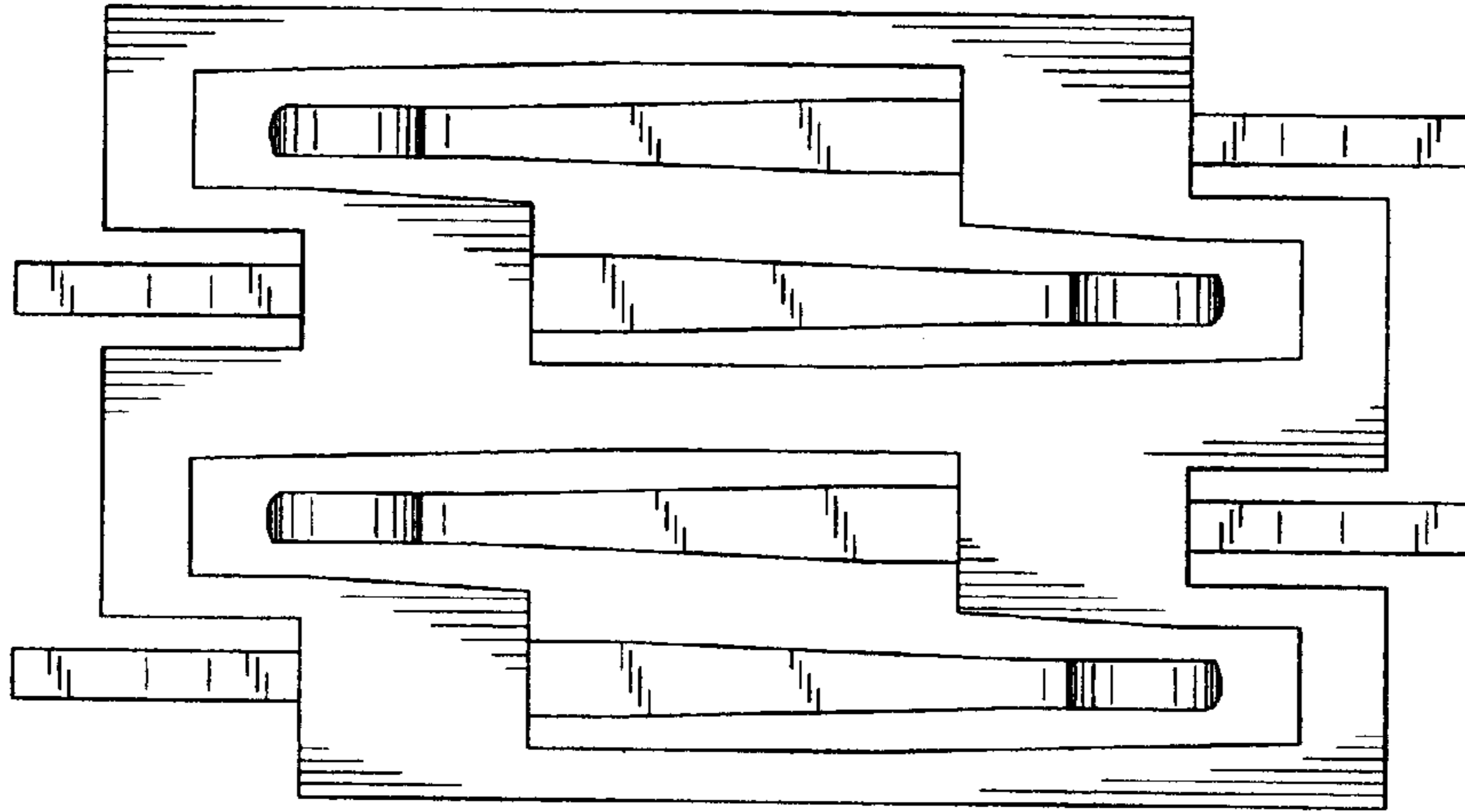


Fig.7

