



US00D539749S

(12) **United States Design Patent**
Yang

(10) **Patent No.:** **US D539,749 S**

(45) **Date of Patent:** **** Apr. 3, 2007**

(54) **CAMERA SOCKET**

(75) Inventor: **Meng-Huan Yang**, Tu-Cheng (TW)

(73) Assignee: **Hon Hai Precision Ind. Co., Ltd**,
Taipei Hsien (TW)

(**) Term: **14 Years**

(21) Appl. No.: **29/261,707**

(22) Filed: **Jun. 19, 2006**

(30) **Foreign Application Priority Data**

Dec. 19, 2005 (CN) 2005 3 0171517

(51) **LOC (8) Cl.** **13-03**

(52) **U.S. Cl.** **D13/147**

(58) **Field of Classification Search** D13/123,
D13/133, 146-147, 154, 184; D14/432-433,
D14/435-436, 439; D16/200, 218; 439/71-73,
439/83, 638, 330-331, 607-610, 625-626,
439/629-631, 680, 876

See application file for complete search history.

(56) **References Cited**

U.S. PATENT DOCUMENTS

D493,427 S * 7/2004 Nishio et al. D13/147
D502,144 S * 2/2005 Nishio et al. D13/147
D524,246 S * 7/2006 Wang et al. D13/147
D524,749 S * 7/2006 Wang et al. D13/147

7,077,680 B1 * 7/2006 Wang et al. 439/331
7,112,083 B2 * 9/2006 Nishio et al. 439/331
2005/0239302 A1 * 10/2005 Wada 439/71

* cited by examiner

Primary Examiner—Daniel Bui

(74) *Attorney, Agent, or Firm*—Wei Te Chung

(57) **CLAIM**

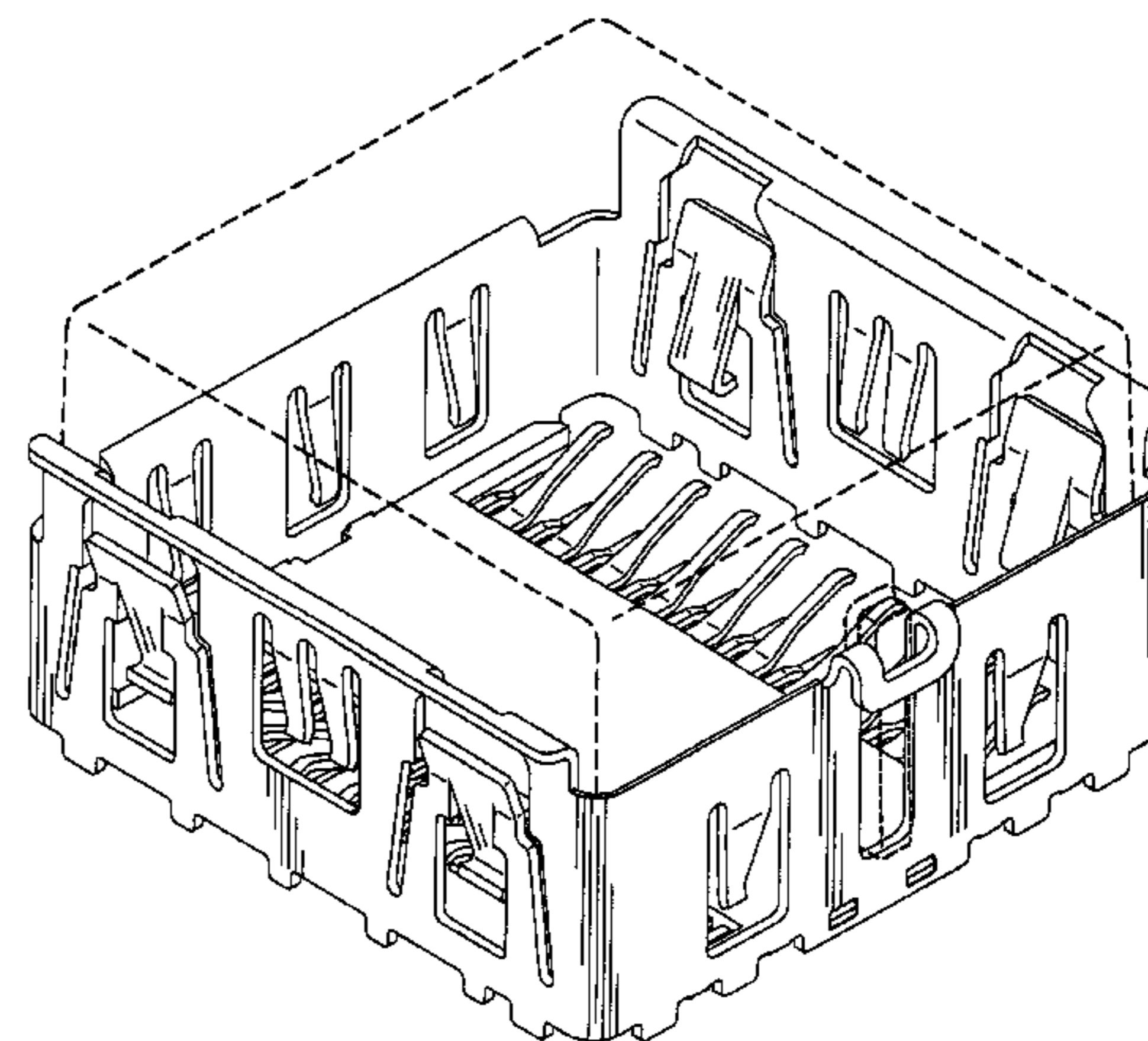
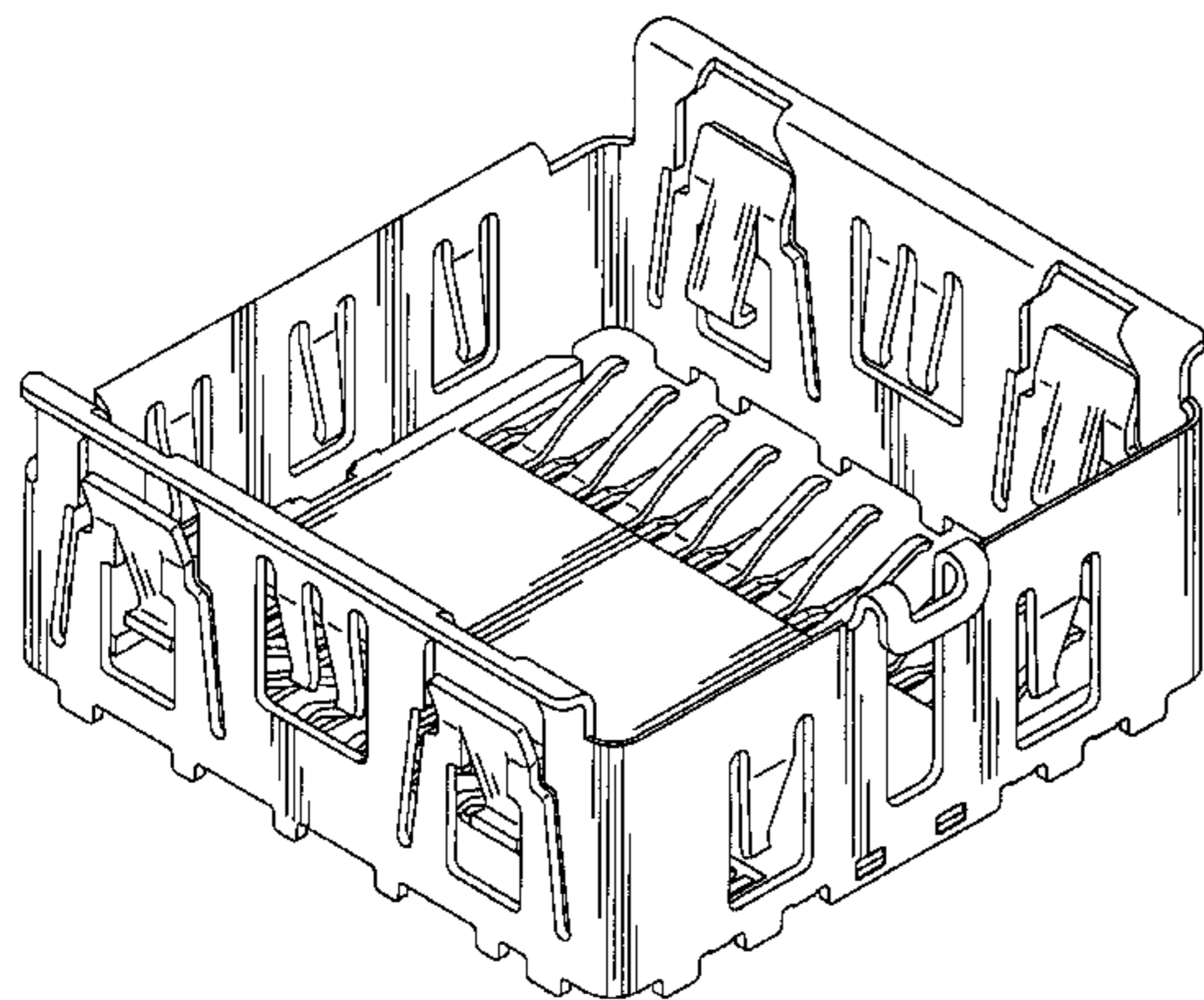
The ornamental design for a camera socket, as shown and described.

DESCRIPTION

FIG. 1 is a front, top and right side perspective view of a camera socket showing my new design; FIG. 2 is a front elevational view thereof; FIG. 3 is a rear elevational view thereof; FIG. 4 is a left side elevational view thereof; FIG. 5 is a right side elevational view thereof; FIG. 6 is a top plan view thereof; FIG. 7 is a bottom plan view thereof; and, FIG. 8 is a front, top and right side perspective view thereof, in use condition. The broken line showing of the environment is for illustrative purposes only and forms no part of the claimed design.

The broken line showing of the camera module is for illustrative purpose only and forms no part of the claimed design.

1 Claim, 8 Drawing Sheets



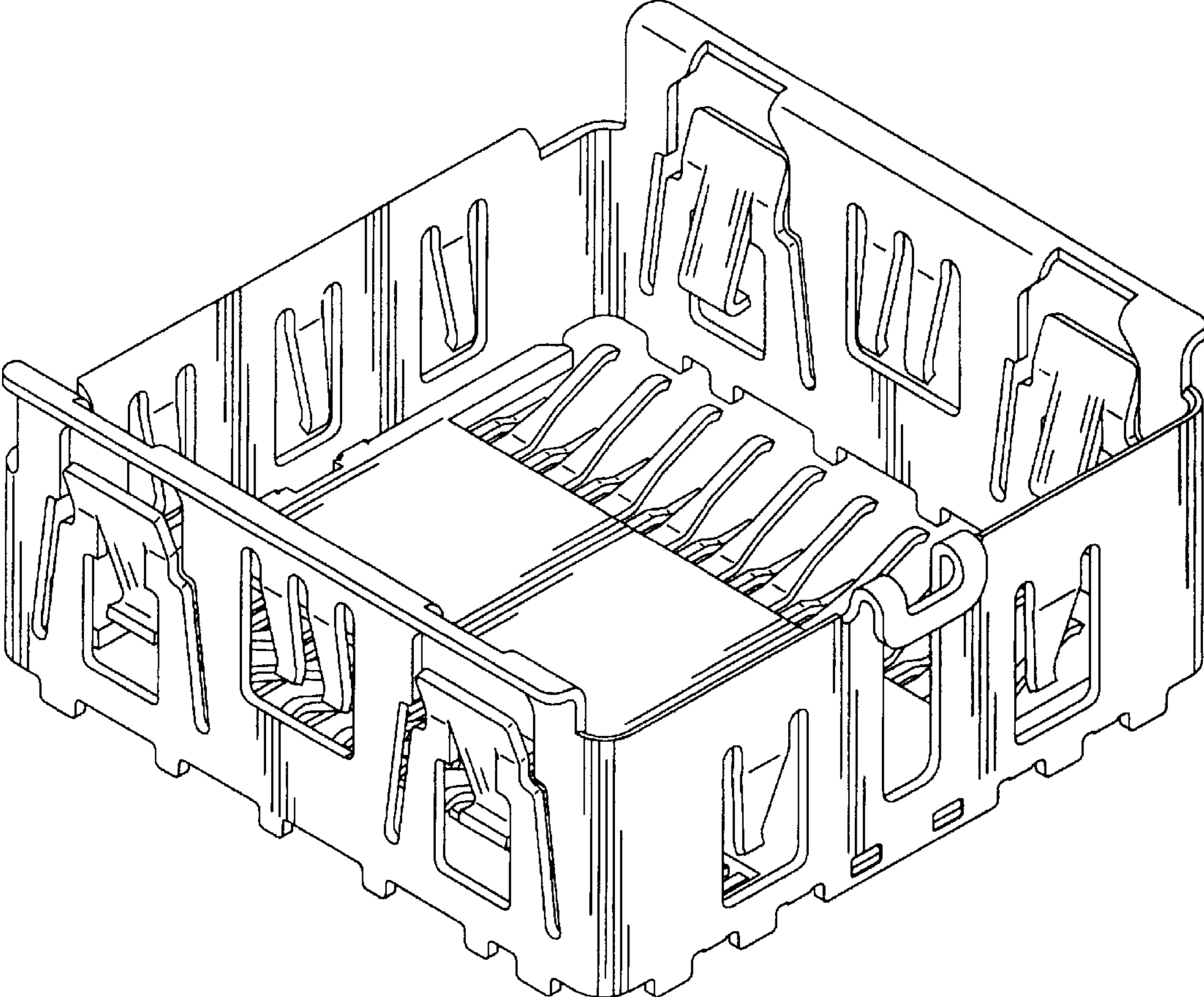


FIG. 1

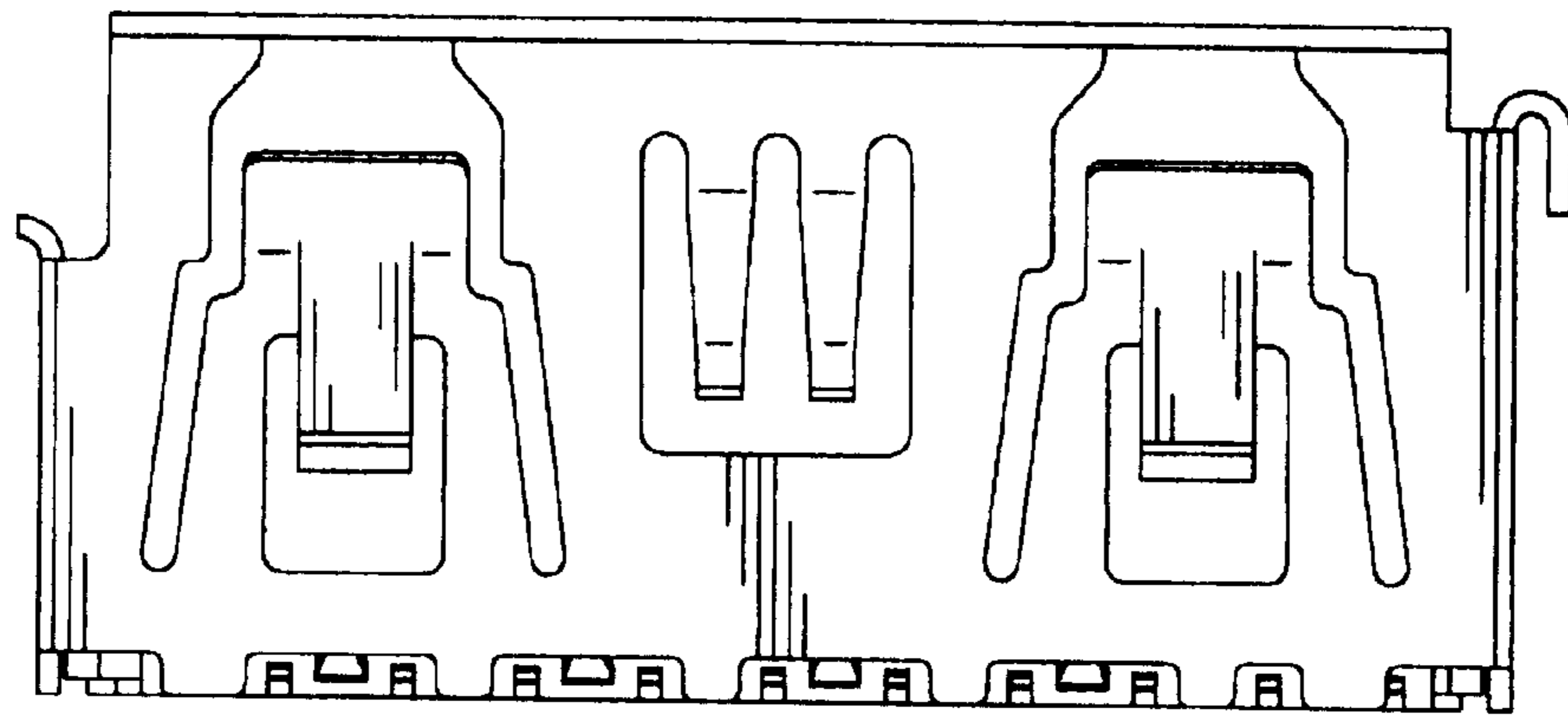


FIG. 2

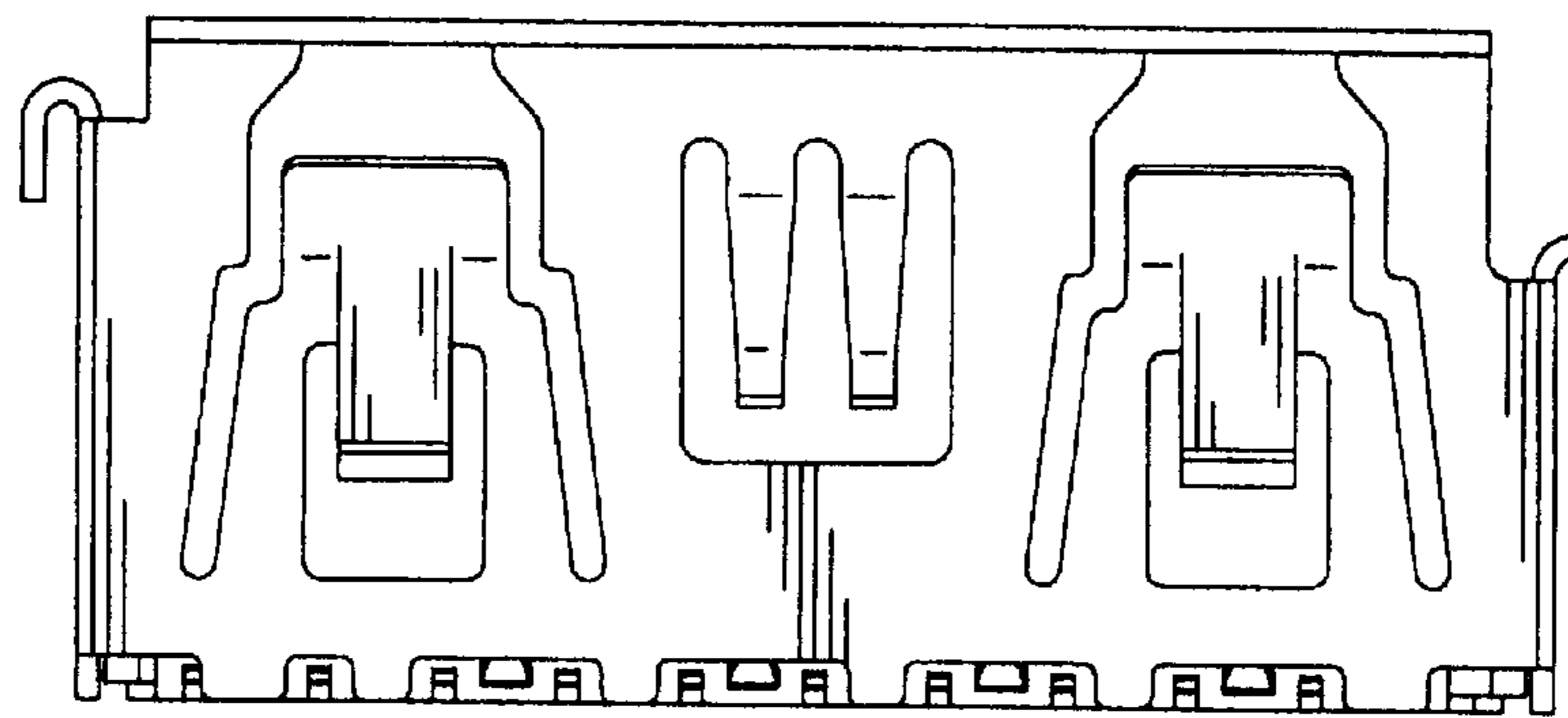


FIG. 3

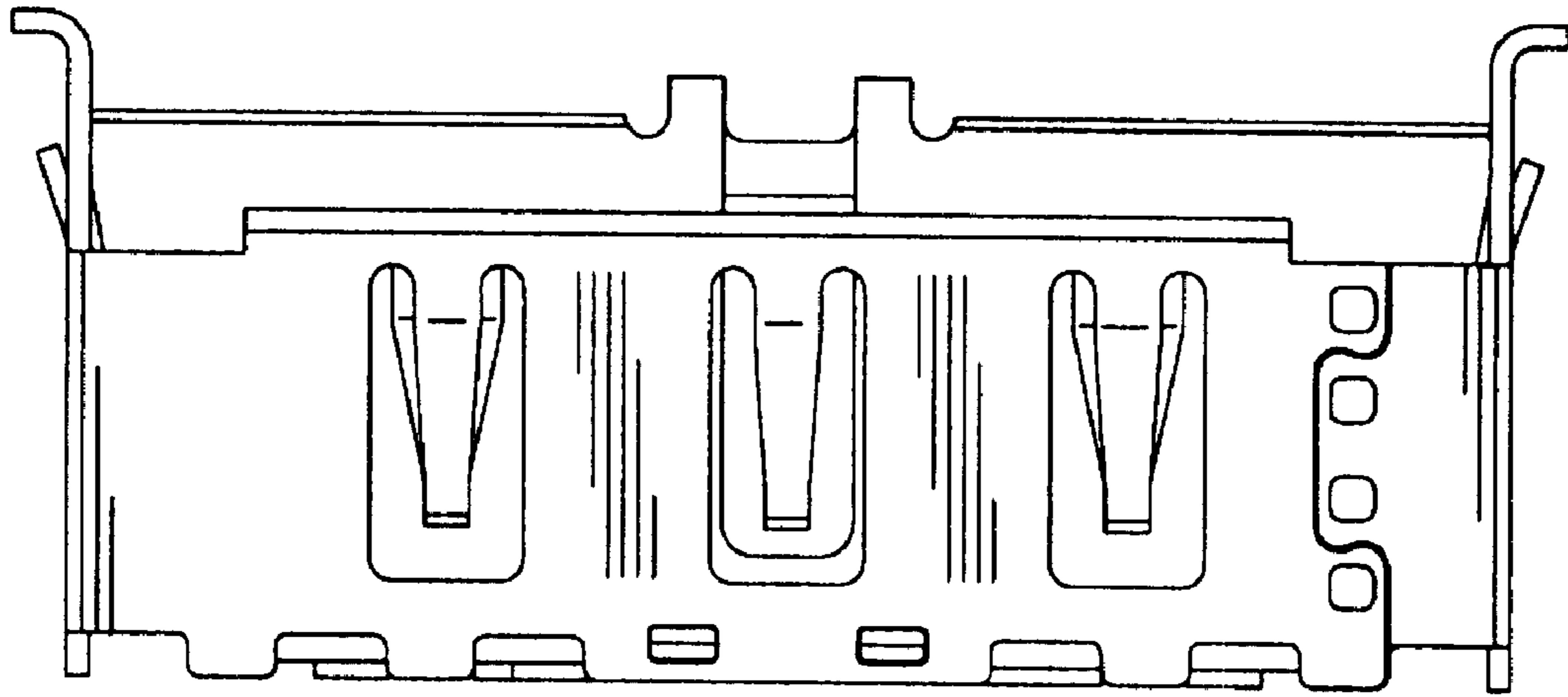


FIG. 4

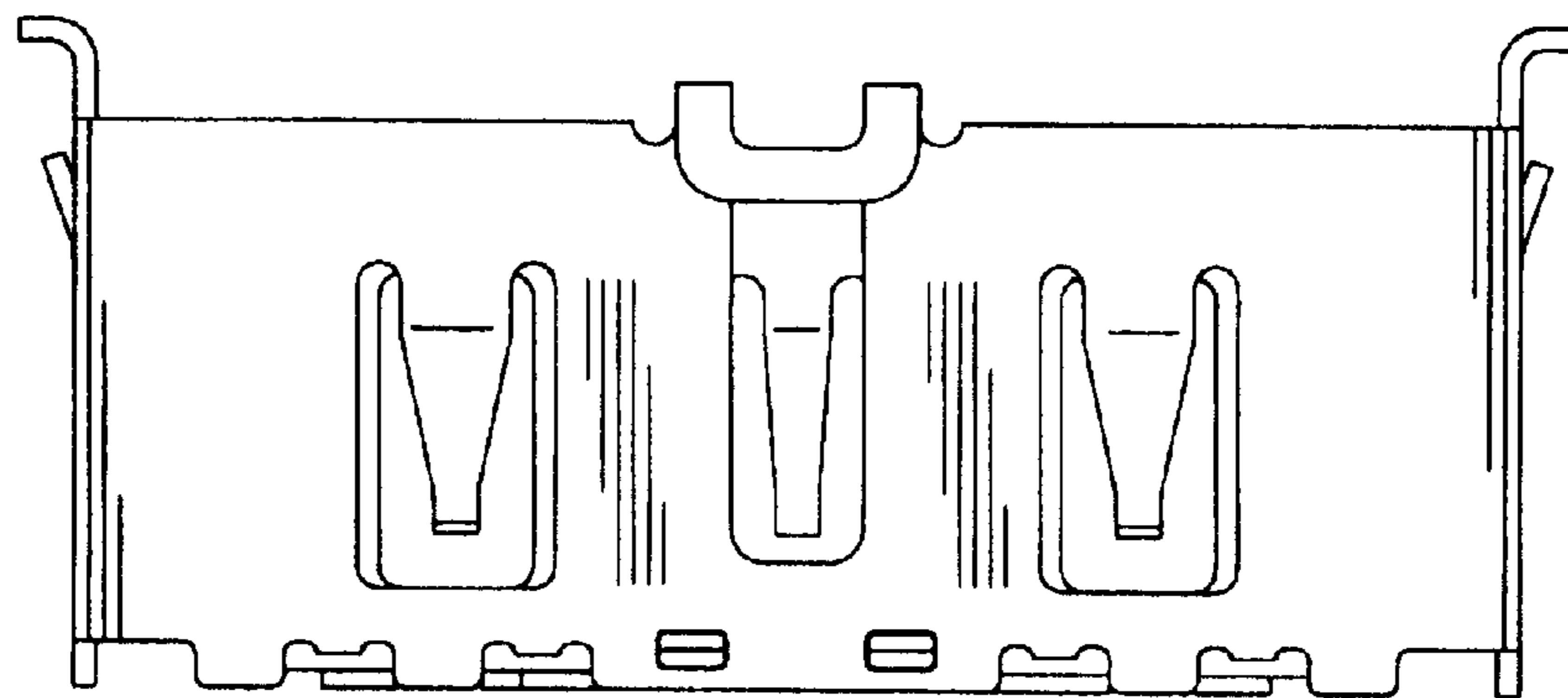


FIG. 5

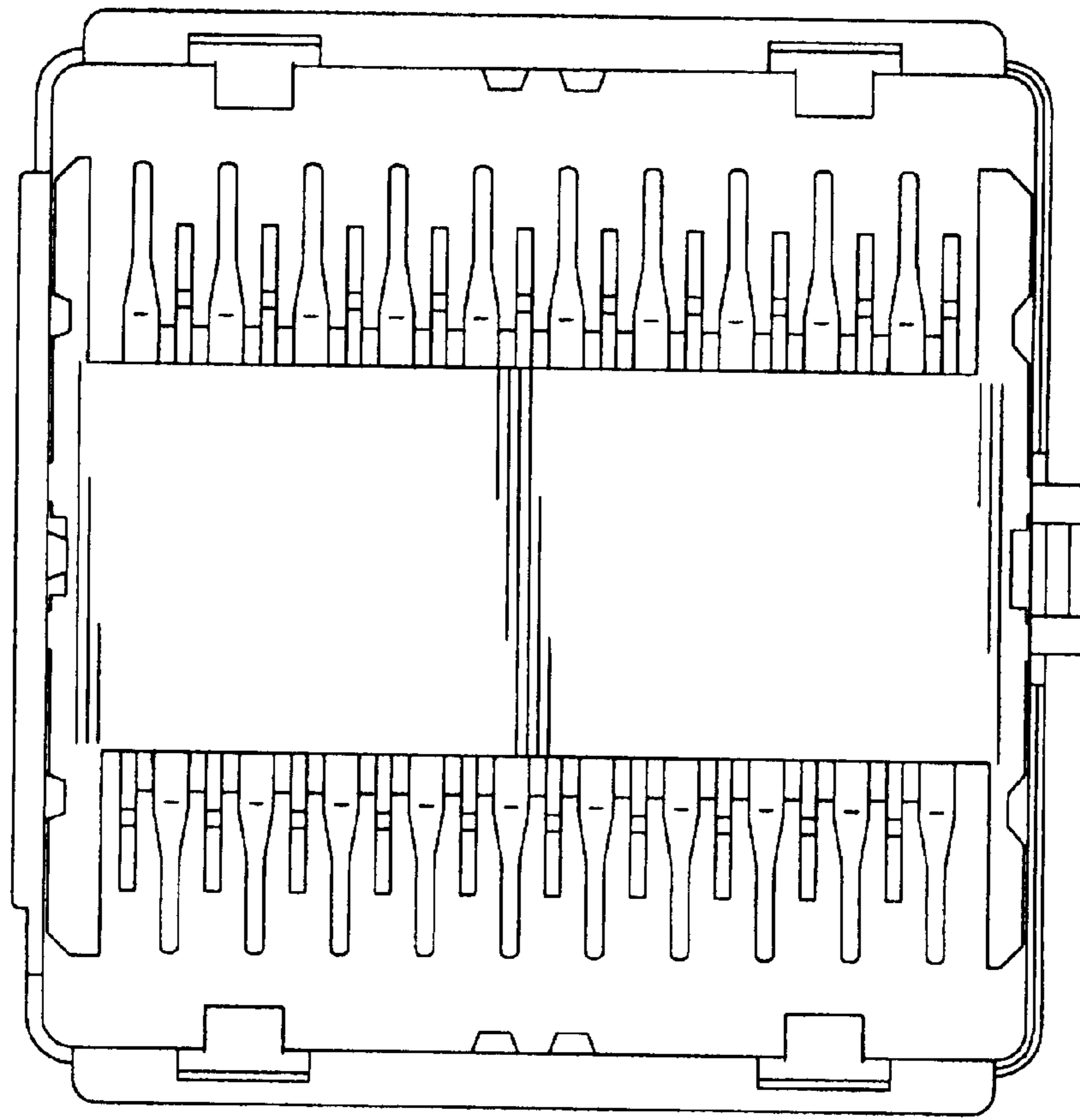


FIG. 6

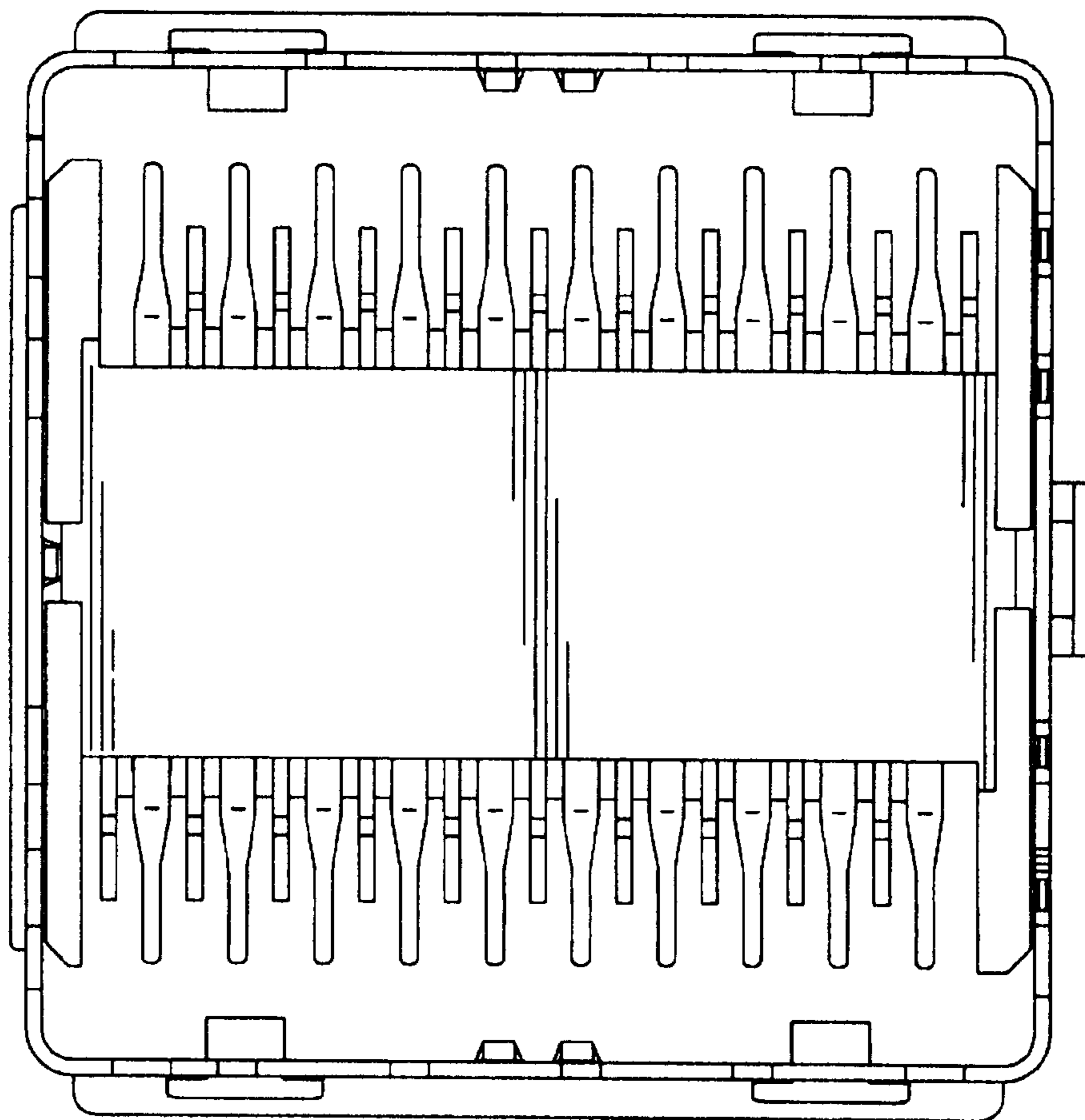


FIG. 7

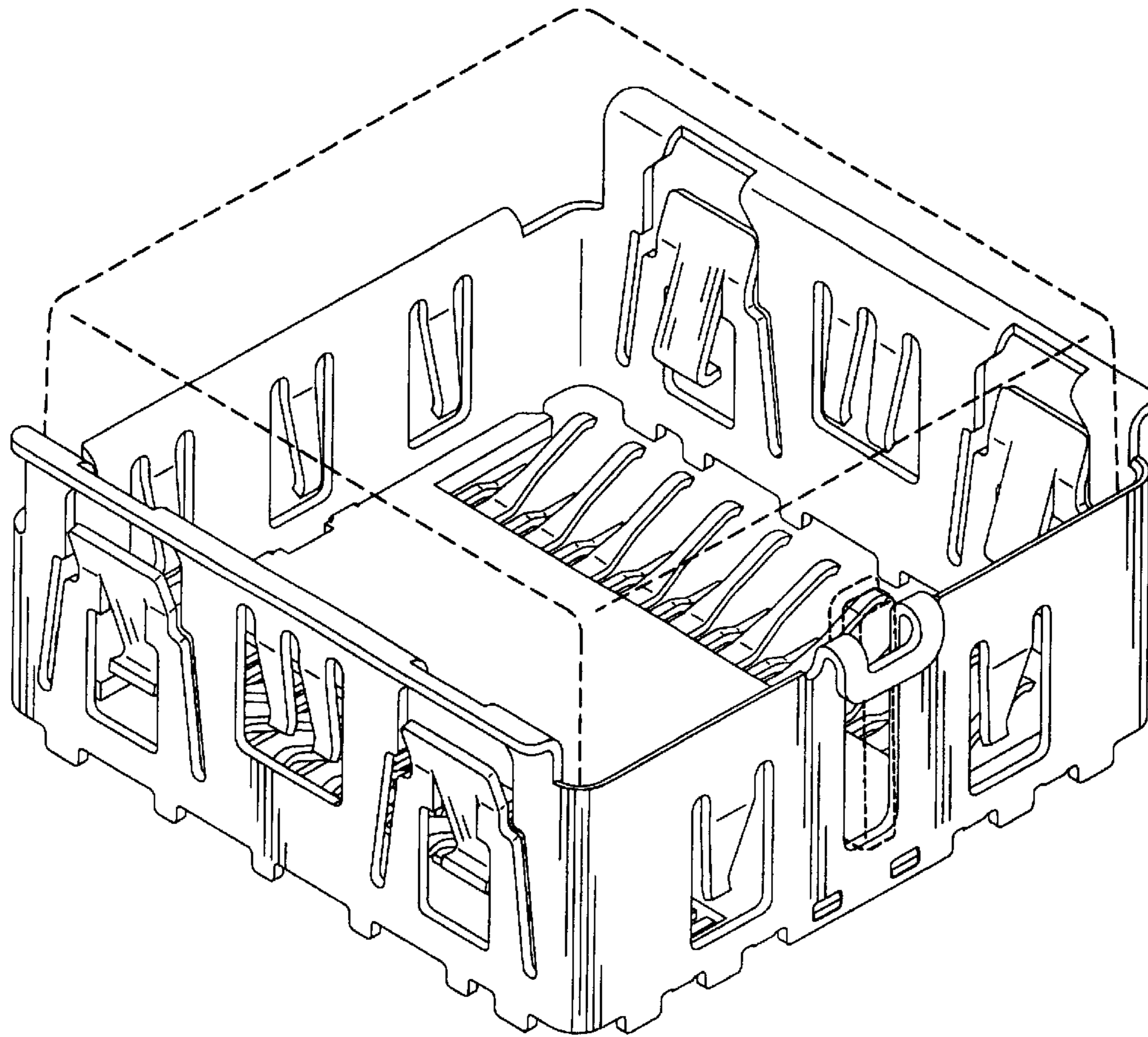


FIG. 8