

US00D539747S

(12) **United States Design Patent**  
**Igarashi et al.**

(10) **Patent No.:** **US D539,747 S**

(45) **Date of Patent:** **\*\* Apr. 3, 2007**

(54) **ELECTRICAL CONNECTOR**

(75) Inventors: **Minoru Igarashi**, Tokyo (JP); **Masaya Taniguchi**, Tokyo (JP)

(73) Assignee: **Yamaichi Electronics Co. Ltd.**, Tokyo (JP)

(\*\*) Term: **14 Years**

(21) Appl. No.: **29/259,323**

(22) Filed: **May 8, 2006**

(30) **Foreign Application Priority Data**

Nov. 8, 2005 (JP) ..... 2005-032714

(51) **LOC (8) Cl.** ..... **13-03**

(52) **U.S. Cl.** ..... **D13/147**

(58) **Field of Classification Search** ..... D13/133,  
D13/146-147, 149, 154, 184; D14/432-436,  
D14/438; 439/64, 79, 157, 159, 260, 325,  
439/329, 395, 492, 495, 607-610, 629-631  
See application file for complete search history.

(56) **References Cited**

**U.S. PATENT DOCUMENTS**

6,149,468 A \* 11/2000 Meng ..... 439/637  
6,179,632 B1 \* 1/2001 Wu et al. .... 439/83

D442,917 S \* 5/2001 Wu ..... D13/147  
6,319,068 B1 \* 11/2001 Bao ..... 439/660  
D491,527 S \* 6/2004 Fan ..... D13/147  
D499,378 S \* 12/2004 Lee et al. .... D13/147  
2004/0248450 A1 \* 12/2004 Masaki et al. .... 439/325

\* cited by examiner

*Primary Examiner*—Daniel Bui

(74) *Attorney, Agent, or Firm*—Finnegan, Henderson, Farabow, Garrett & Dunner, L.L.P.

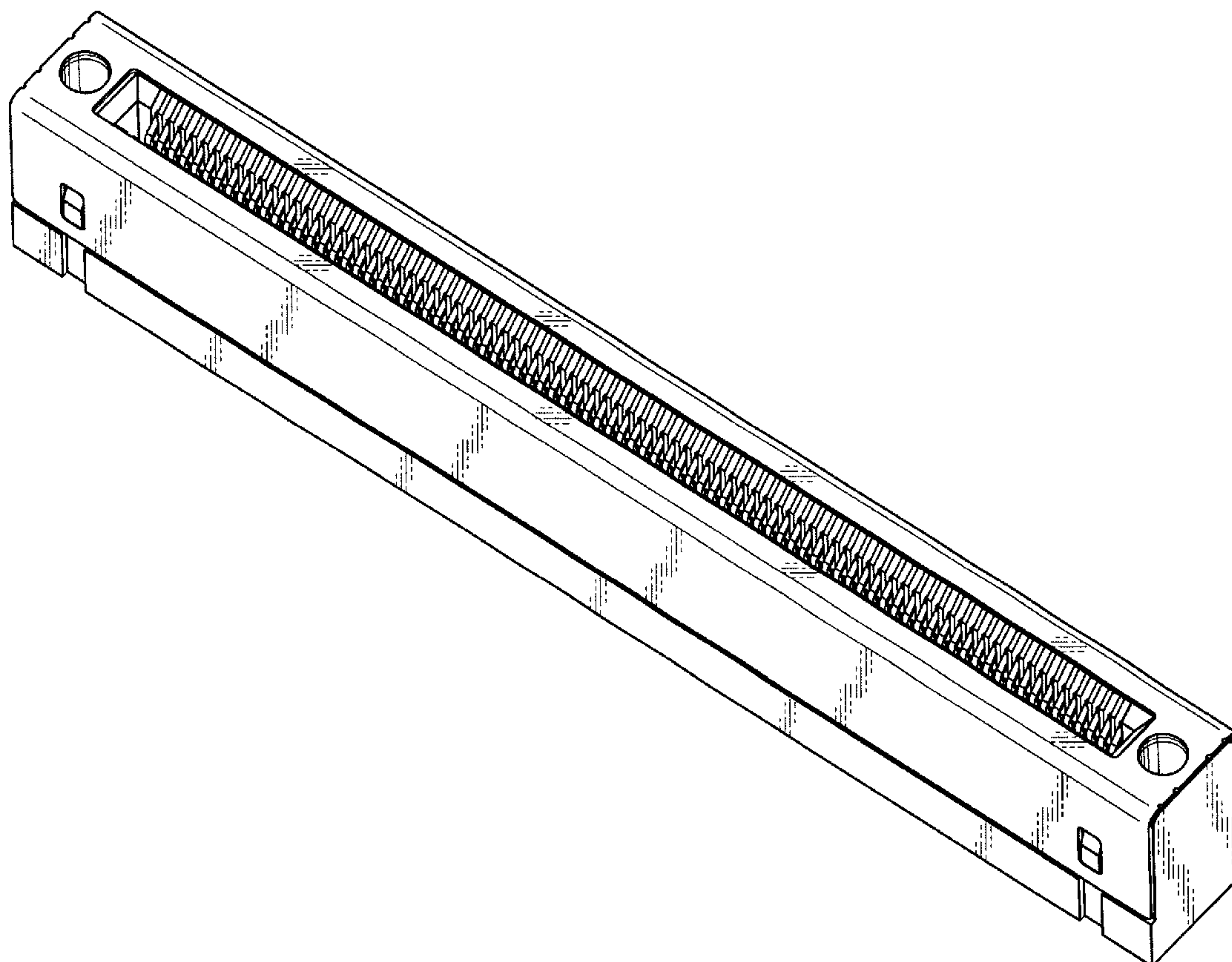
(57) **CLAIM**

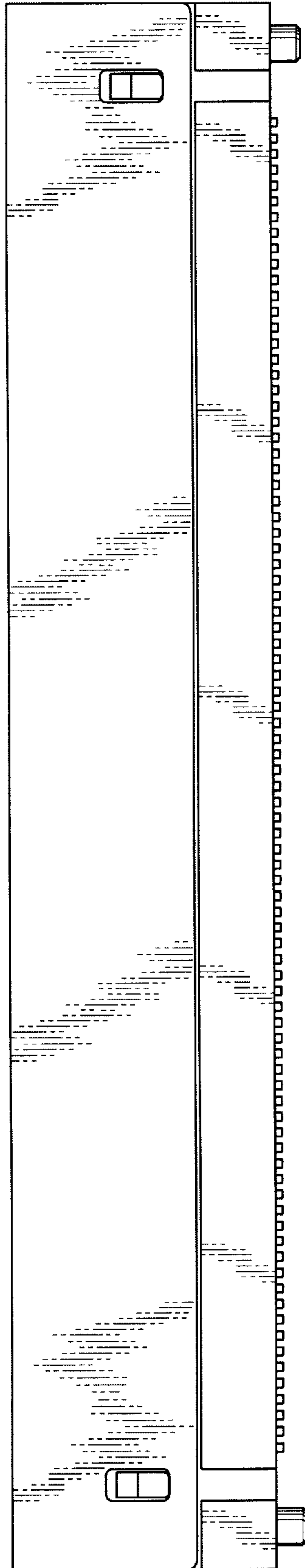
The ornamental design for an electrical connector, as shown.

**DESCRIPTION**

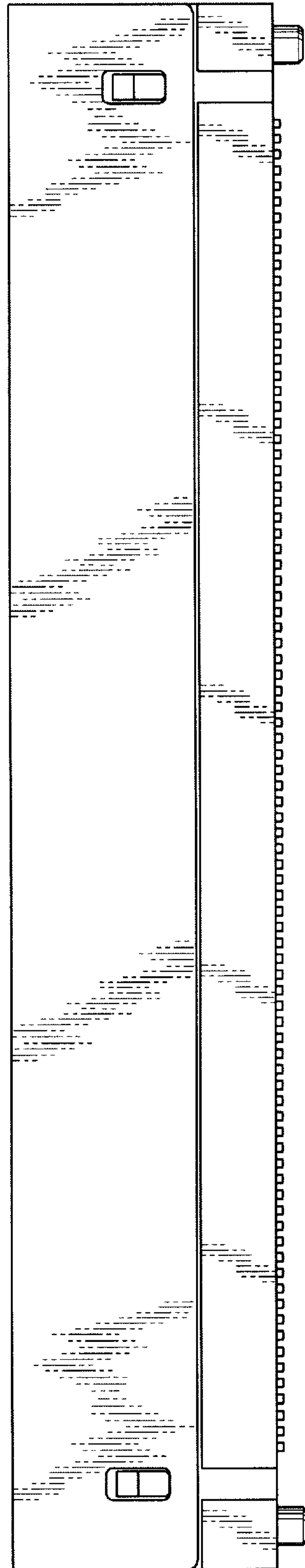
FIG. 1 is a front elevation view of an electrical connector, showing our new design;  
FIG. 2 is a rear elevation view thereof;  
FIG. 3 is a top plan view thereof;  
FIG. 4 is a bottom plan view thereof;  
FIG. 5 is a right side elevation view thereof;  
FIG. 6 is a left side elevation view thereof;  
FIG. 7 is a top, front and right side perspective view thereof;  
and,  
FIG. 8 is a bottom, front and right side perspective view thereof.

**1 Claim, 7 Drawing Sheets**

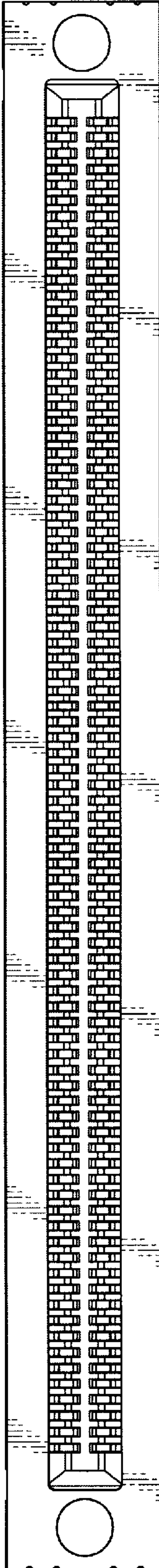




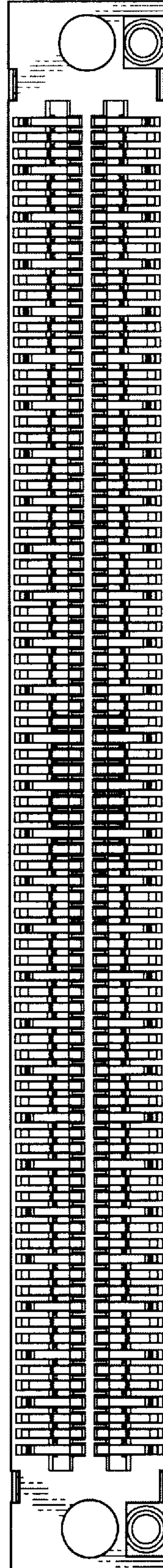
**FIG. 1**



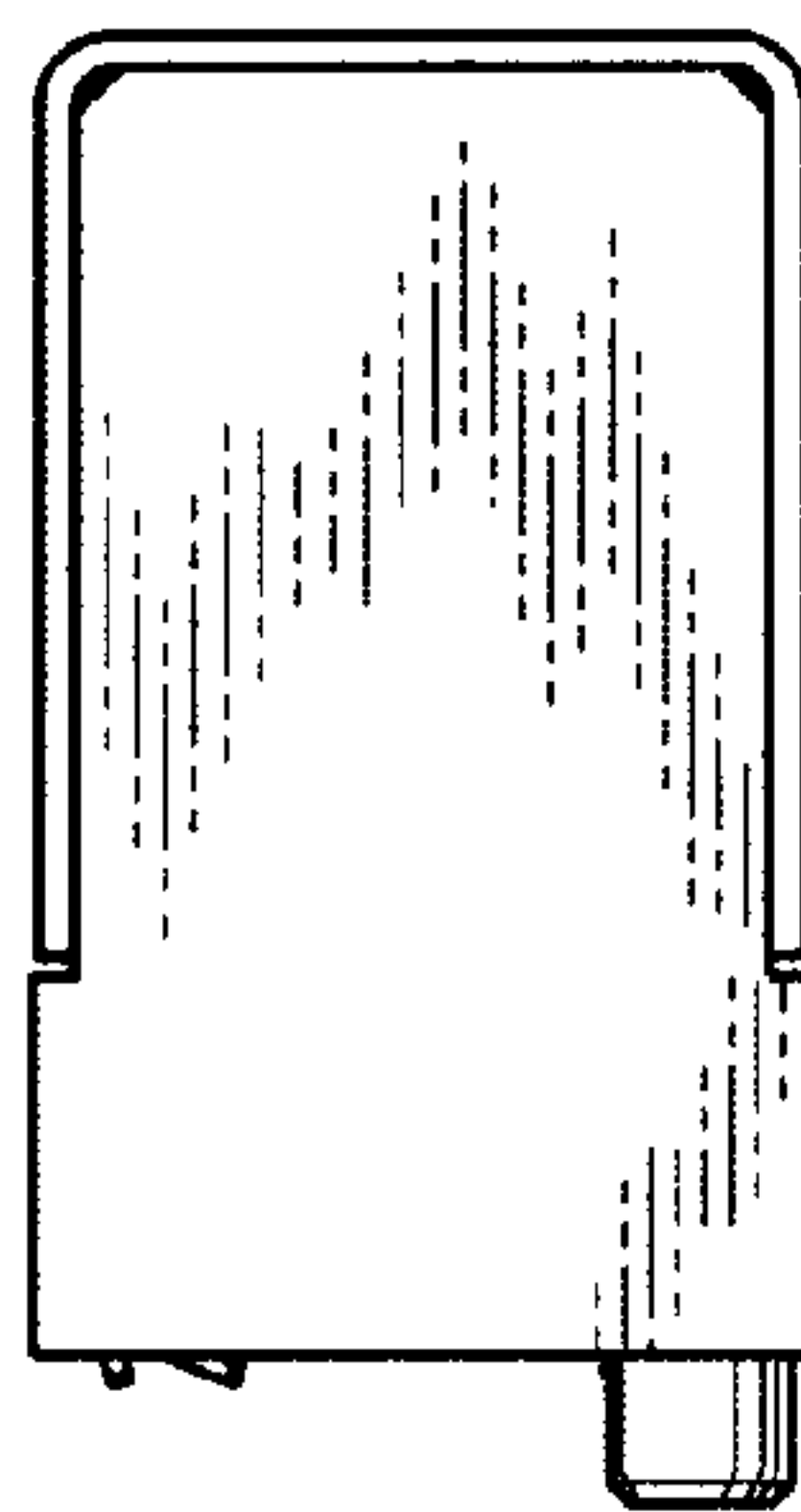
**FIG. 2**



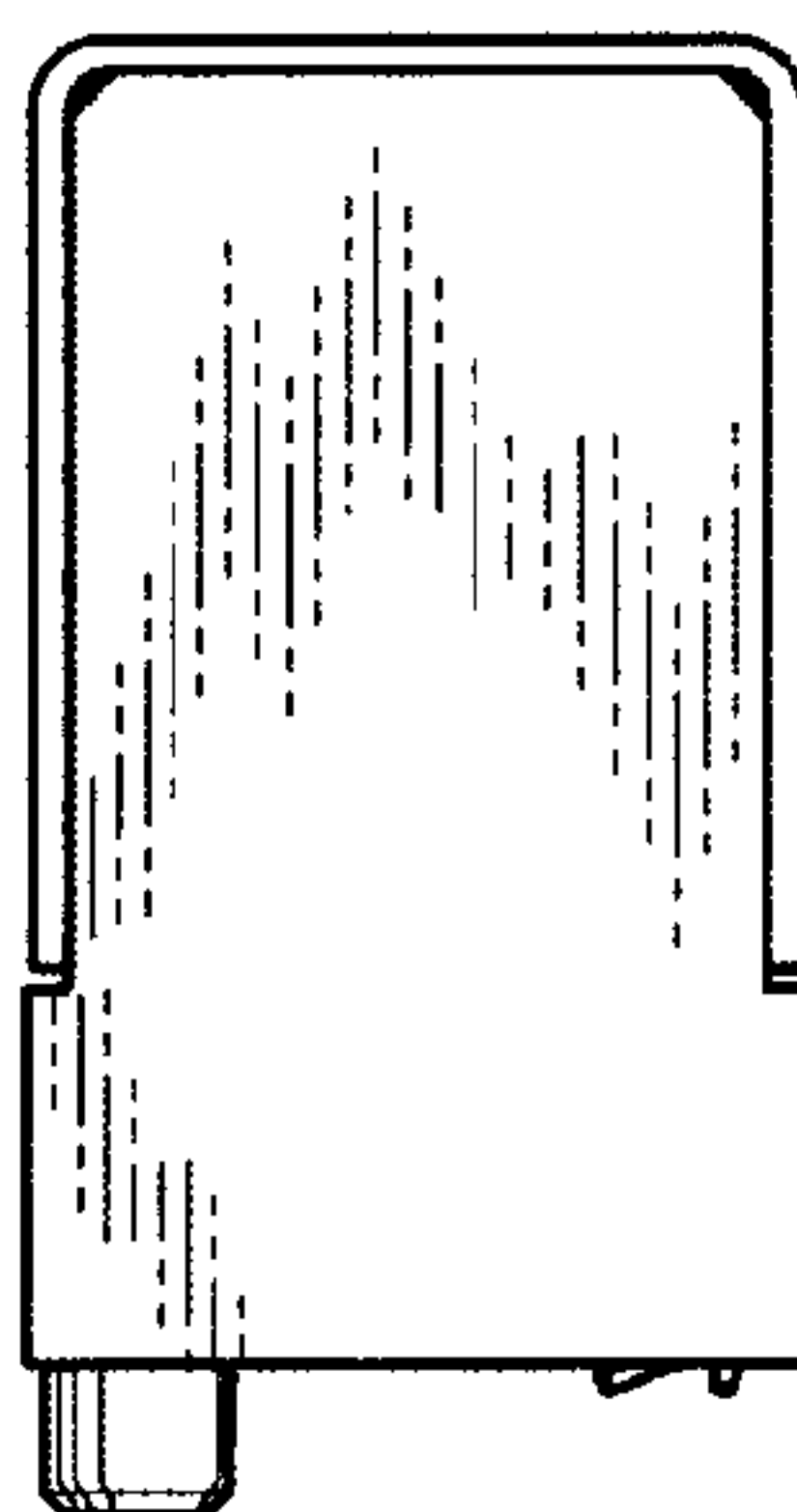
**FIG. 3**



**FIG. 4**

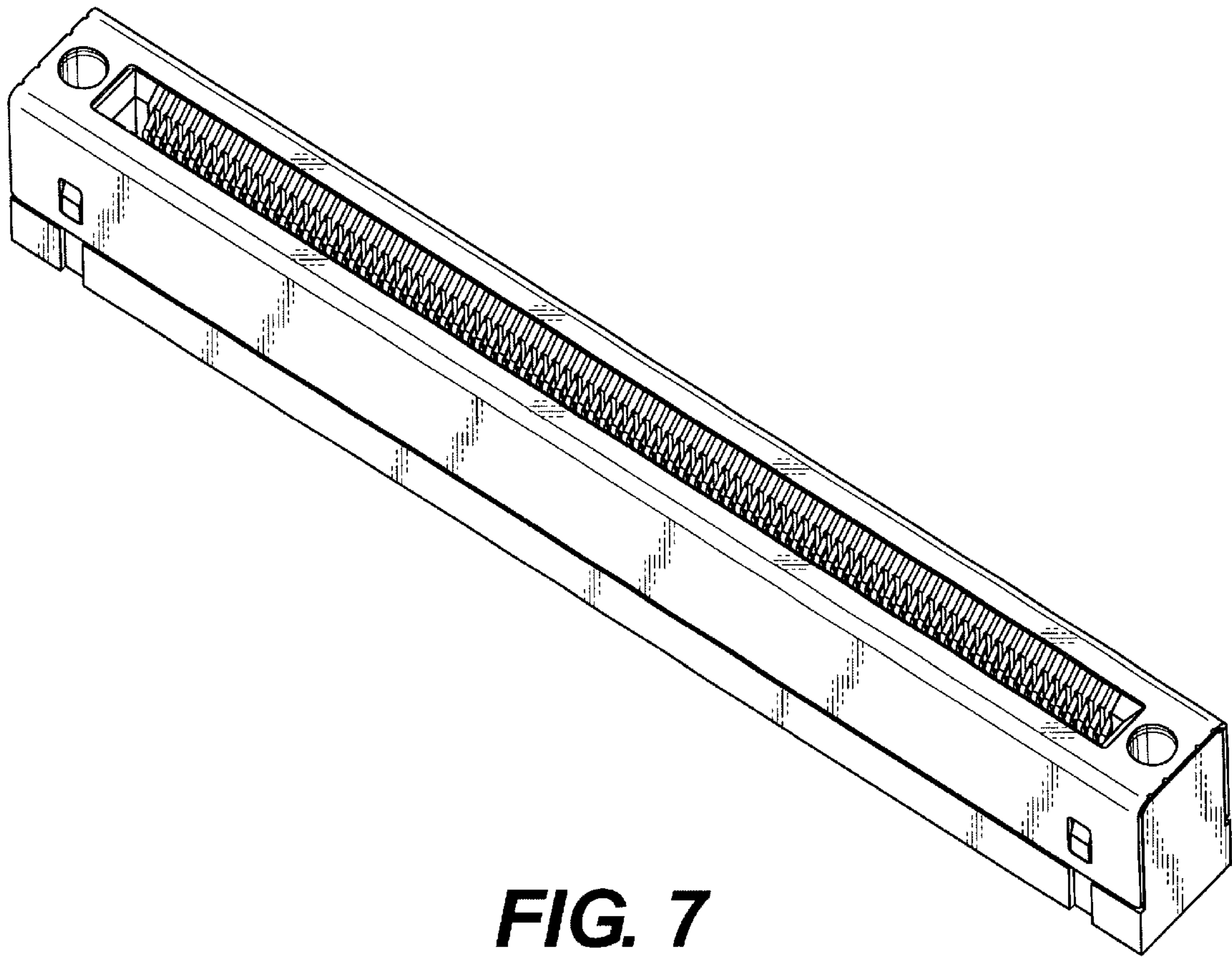


**FIG. 5**

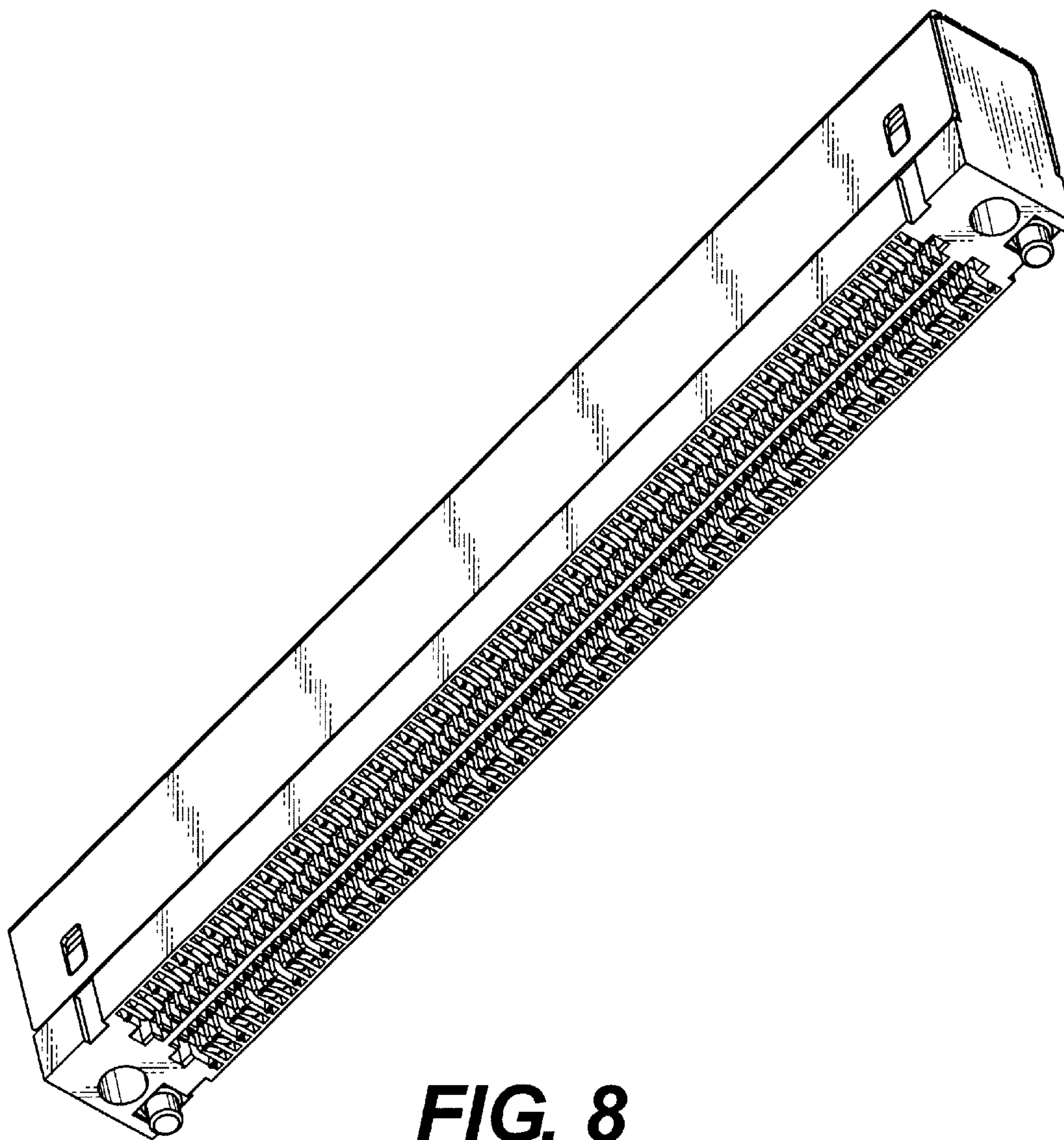


**FIG. 6**





**FIG. 7**



**FIG. 8**