



US00D539746S

(12) **United States Design Patent**
Lee

(10) **Patent No.:** **US D539,746 S**

(45) **Date of Patent:** **** Apr. 3, 2007**

(54) **SIM CARD CONNECTOR**

D528,986 S * 9/2006 Su D13/147
D530,284 S * 10/2006 Su D13/147

(75) Inventor: **Yun-Chien Lee, Tu-Cheng (TW)**

* cited by examiner

(73) Assignee: **Cheng Uei Precision Industry Co., Ltd., Taipei Hsien (TW)**

Primary Examiner—Daniel Bui

(**) Term: **14 Years**

(57) **CLAIM**

The ornamental design for a SIM card connector, as shown and described.

(21) Appl. No.: **29/255,707**

(22) Filed: **Mar. 10, 2006**

DESCRIPTION

(51) **LOC (8) Cl.** **13-03**

(52) **U.S. Cl.** **D13/147**

(58) **Field of Classification Search** D13/133,
D13/146–147, 154, 184, 199; D14/432–436,
D14/438; 439/326, 330–331, 341–342, 630
See application file for complete search history.

FIG. 1 is a top, front and right side perspective view of a SIM card connector in a closed condition, showing my new design;

FIG. 2 is a front elevational view thereof;

FIG. 3 is a rear elevational view thereof;

FIG. 4 is a left side elevational view thereof;

FIG. 5 is a right side elevational view thereof;

FIG. 6 is a top plan view thereof;

FIG. 7 is a bottom plan view thereof;

FIG. 8 is a top, front and right side perspective view thereof, in a closed condition, with the top cover is in an alternate position; and,

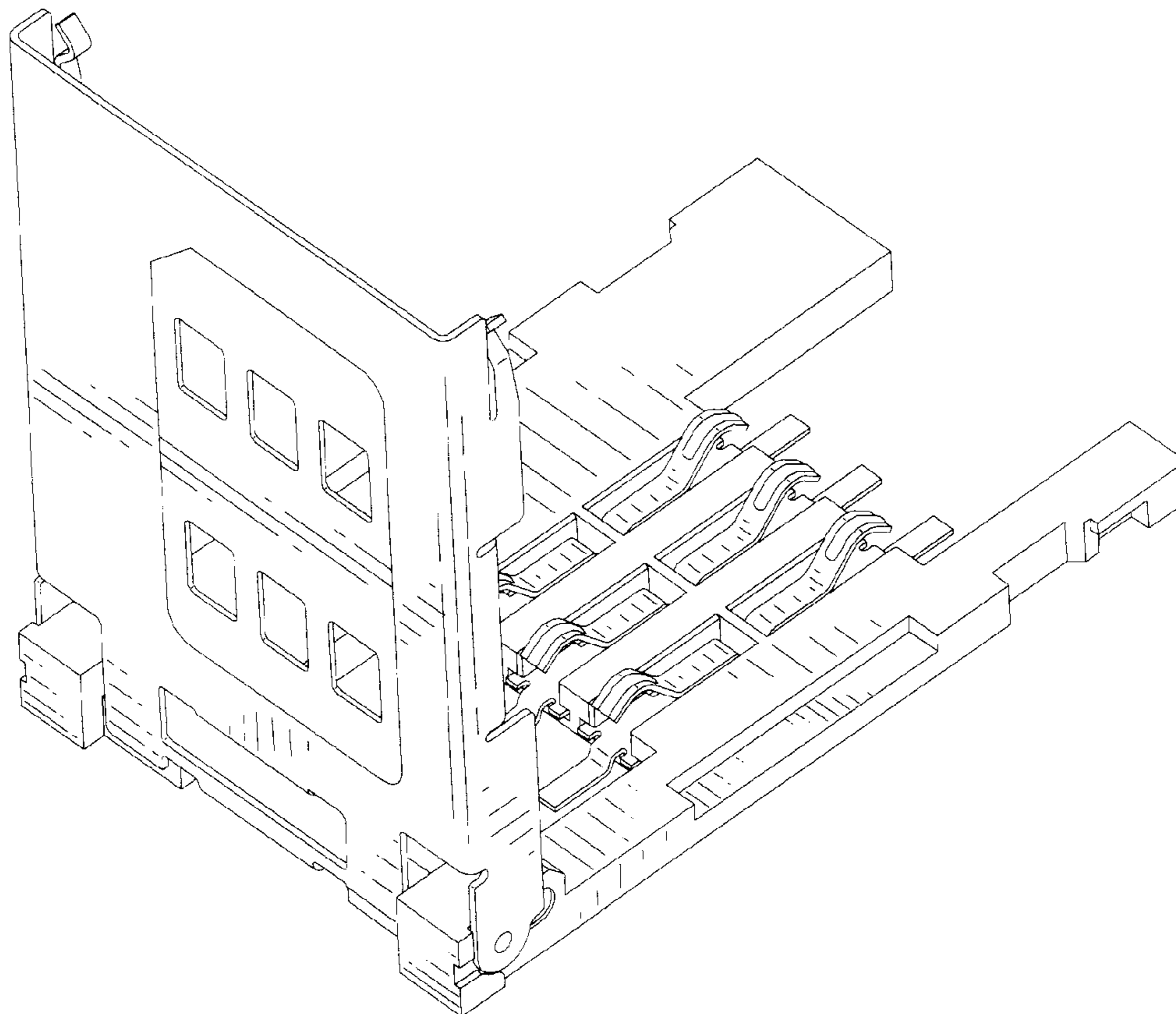
FIG. 9 is a top, front and right side perspective view thereof, in an open condition.

(56) **References Cited**

U.S. PATENT DOCUMENTS

- 6,382,995 B1 * 5/2002 Bricaud et al. 439/159
- D482,692 S * 11/2003 Nishio et al. D14/433
- 6,913,479 B1 * 7/2005 Su et al. 439/326
- 6,929,513 B2 * 8/2005 Fan 439/630
- D518,783 S * 4/2006 Takagi et al. D13/147
- D520,957 S * 5/2006 Chang et al. D13/147

1 Claim, 9 Drawing Sheets



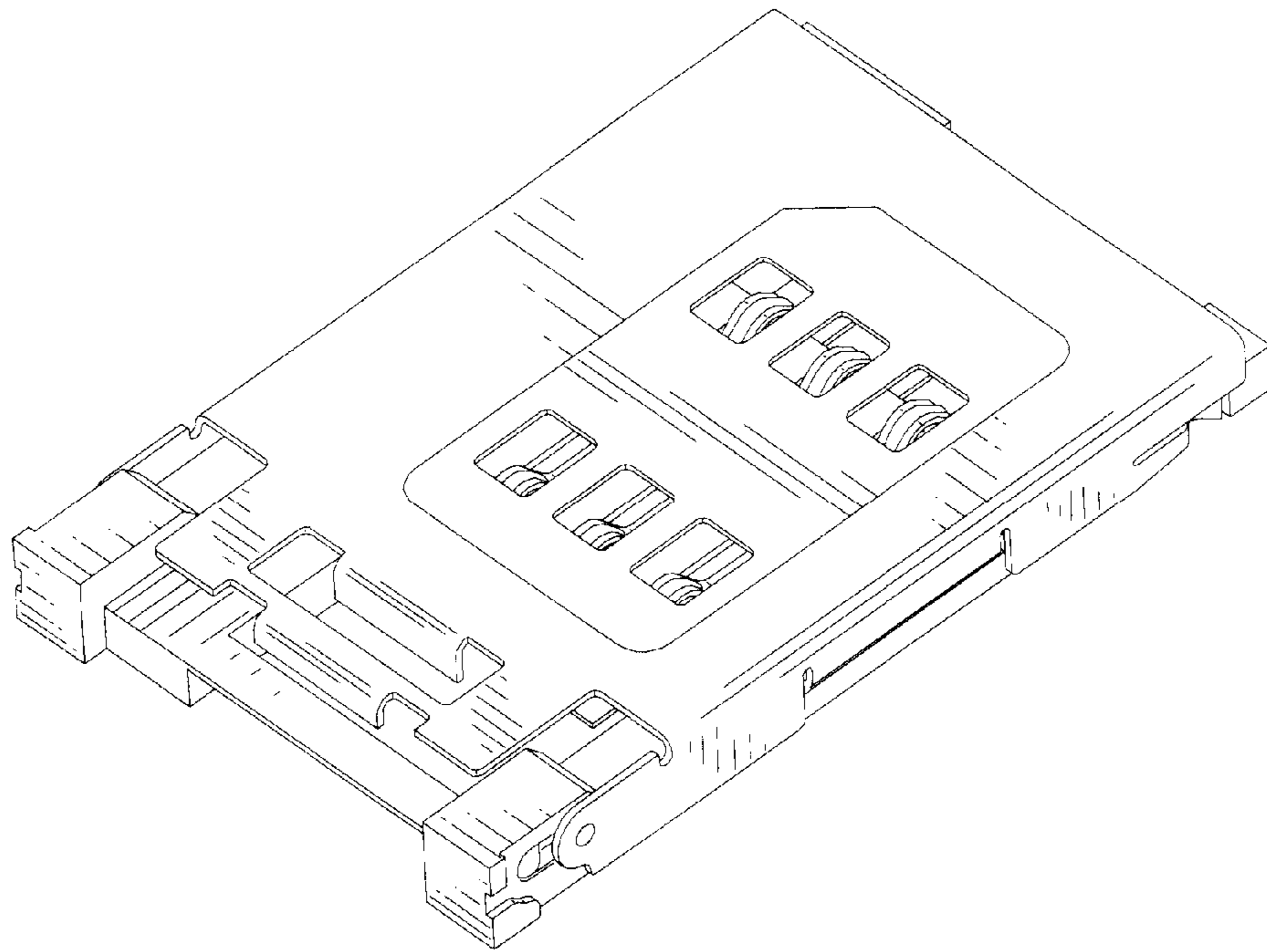


FIG. 1

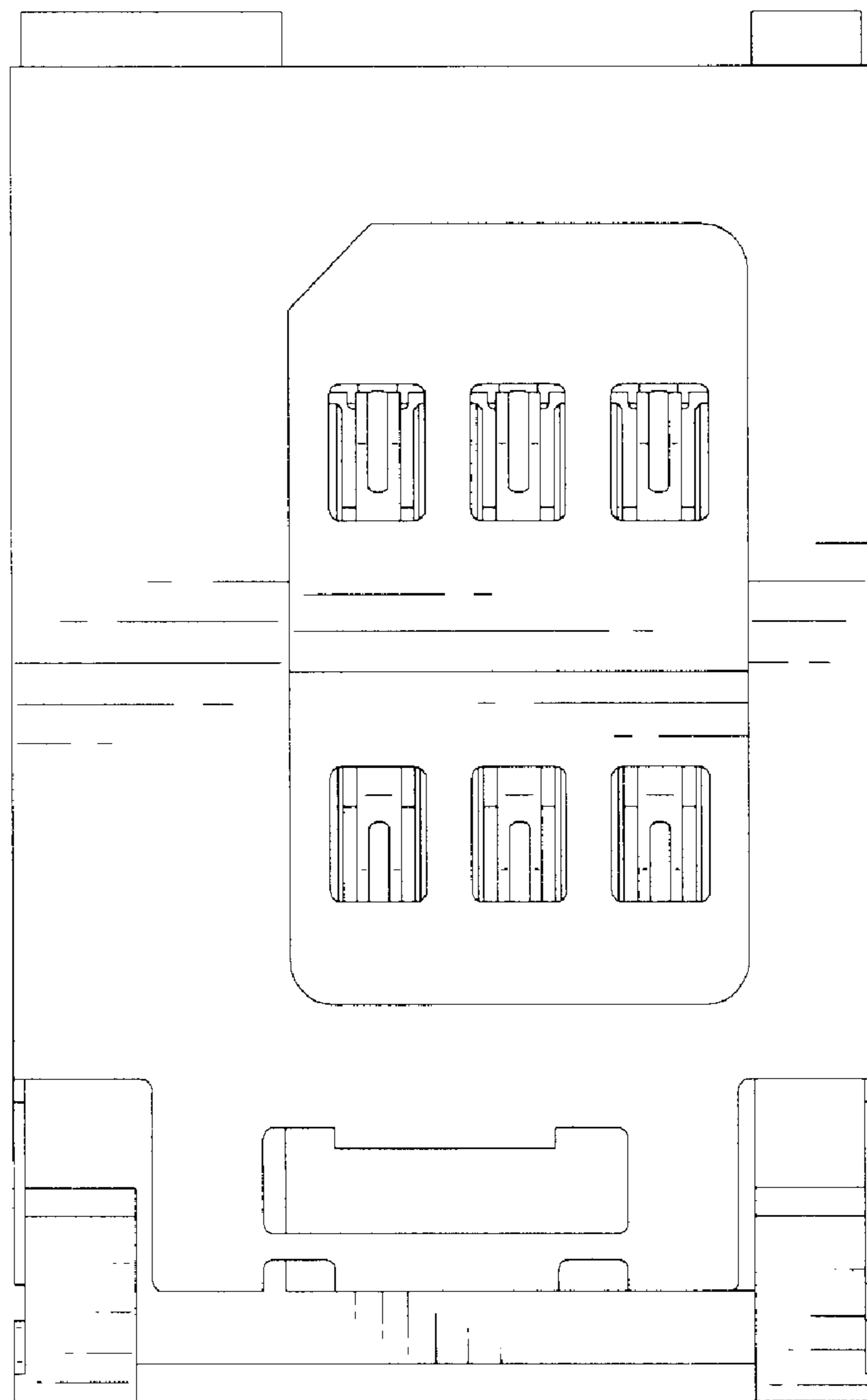


FIG. 2

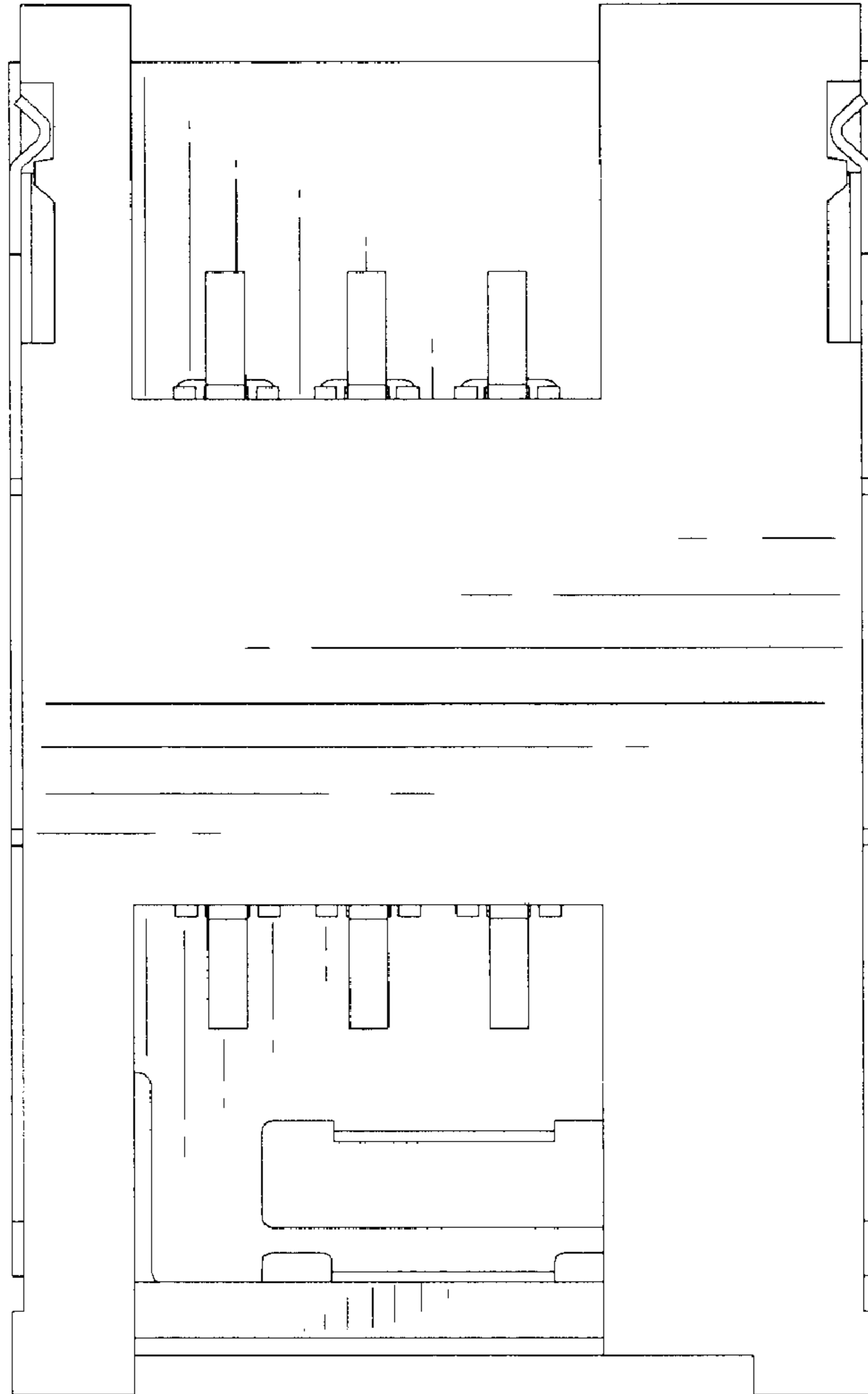


FIG. 3

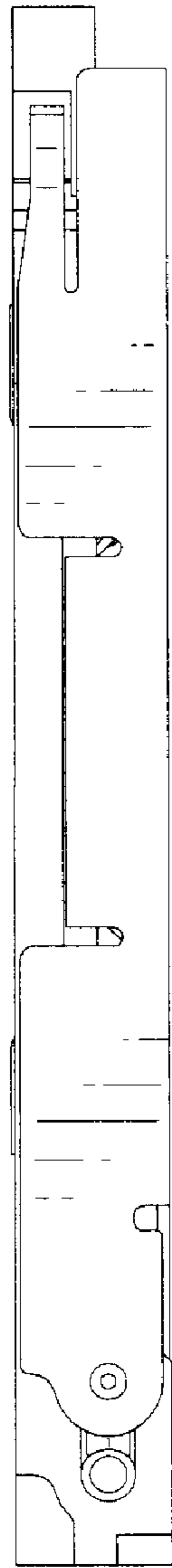


FIG. 4

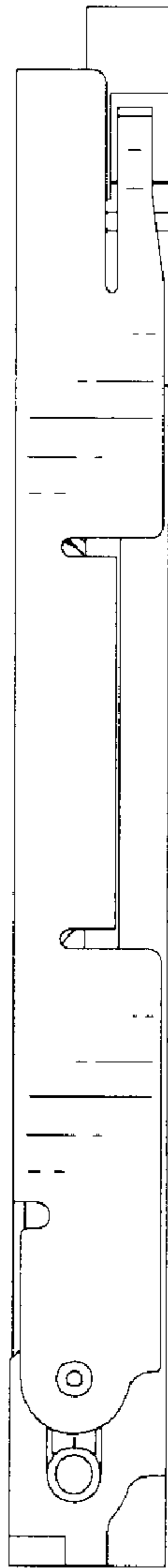


FIG. 5

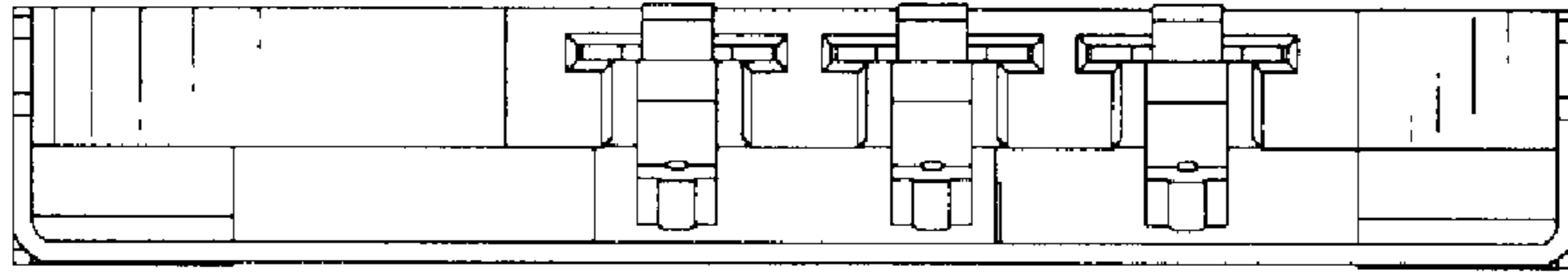


FIG. 6



FIG. 7

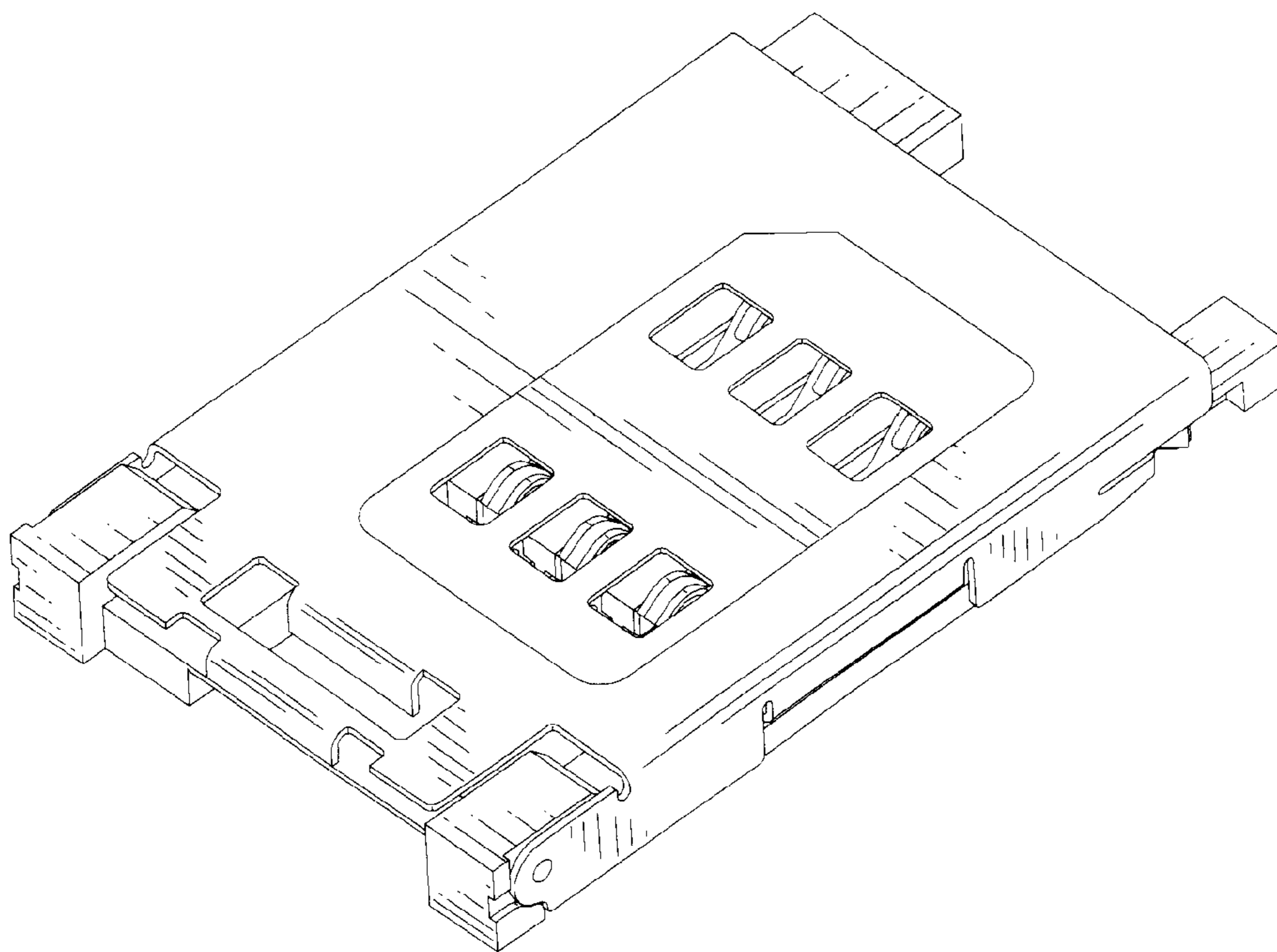


FIG. 8

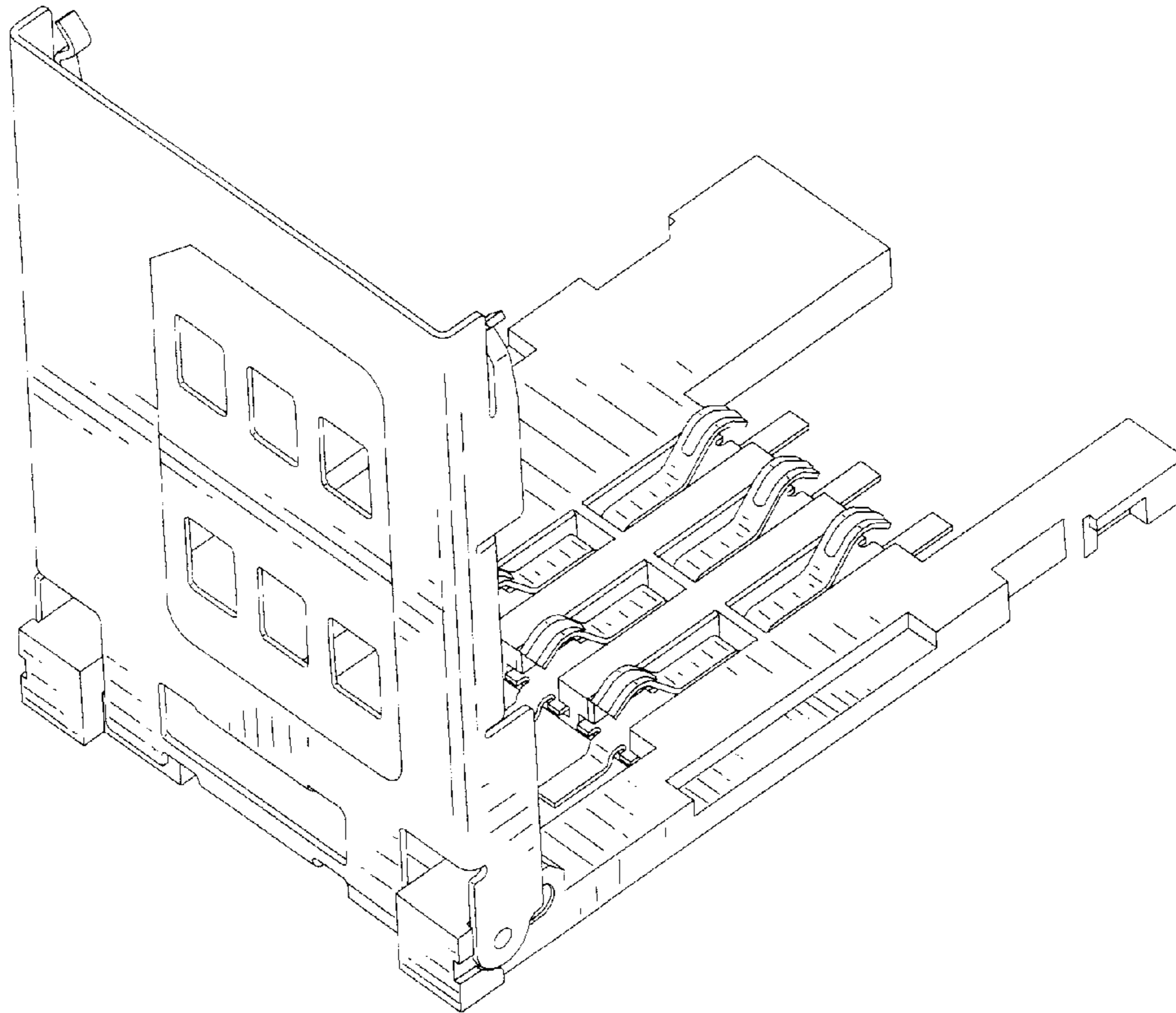


FIG. 9