



US00D539745S

(12) **United States Design Patent**
Nishio et al.

(10) **Patent No.:** **US D539,745 S**

(45) **Date of Patent:** **** Apr. 3, 2007**

(54) **CONNECTOR**

(75) Inventors: **Atsushi Nishio**, Tama (JP); **Takashi Kawasaki**, Tama (JP); **Makoto Murayama**, Tama (JP)

(73) Assignee: **Mitsumi Electric Co., Ltd.**, Tokyo (JP)

(**) Term: **14 Years**

(21) Appl. No.: **29/254,319**

(22) Filed: **Feb. 23, 2006**

(30) **Foreign Application Priority Data**

Sep. 30, 2005 (JP) 2005-028541

(51) **LOC (8) Cl.** **13-03**

(52) **U.S. Cl.** **D13/147**

(58) **Field of Classification Search** D13/120,
D13/123, 133, 146-147, 154, 184; D14/432-433,
D14/435-436, 439; D16/200, 219; 439/71-73,
439/266, 326, 330-331, 607, 625-626, 629-631,
439/638

See application file for complete search history.

(56) **References Cited**

U.S. PATENT DOCUMENTS

D493,427 S * 7/2004 Nishio et al. D13/147

D502,144 S * 2/2005 Nishio et al. D13/147
D524,246 S * 7/2006 Wang et al. D13/147
D524,749 S * 7/2006 Wang et al. D13/147
7,077,680 B1 * 7/2006 Wang et al. 439/331
7,112,083 B2 * 9/2006 Nishio et al. 439/331
2005/0239302 A1 * 10/2005 Wada 439/71

* cited by examiner

Primary Examiner—Daniel Bui

(74) *Attorney, Agent, or Firm*—Sughrue Mion, PLLC

(57) **CLAIM**

The ornamental design for a connector, as shown.

DESCRIPTION

FIG. 1 is a perspective view of the top, front and right side of a connector showing our new design;

FIG. 2 is a top plan view thereof;

FIG. 3 is a front elevational view thereof;

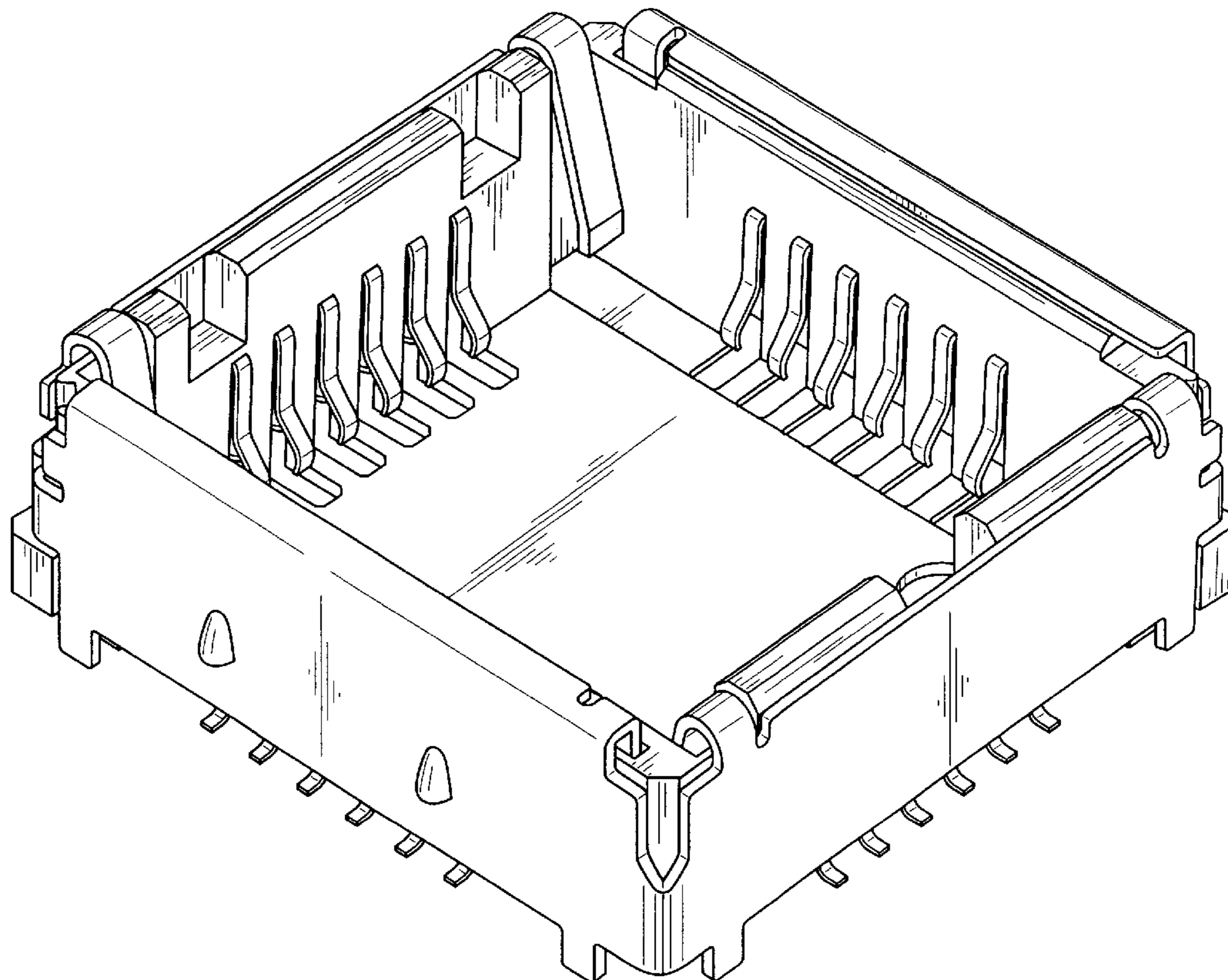
FIG. 4 is a rear elevational view thereof;

FIG. 5 is a bottom plan view thereof;

FIG. 6 is a right side elevational view thereof; and,

FIG. 7 is a left side elevational view thereof.

1 Claim, 4 Drawing Sheets



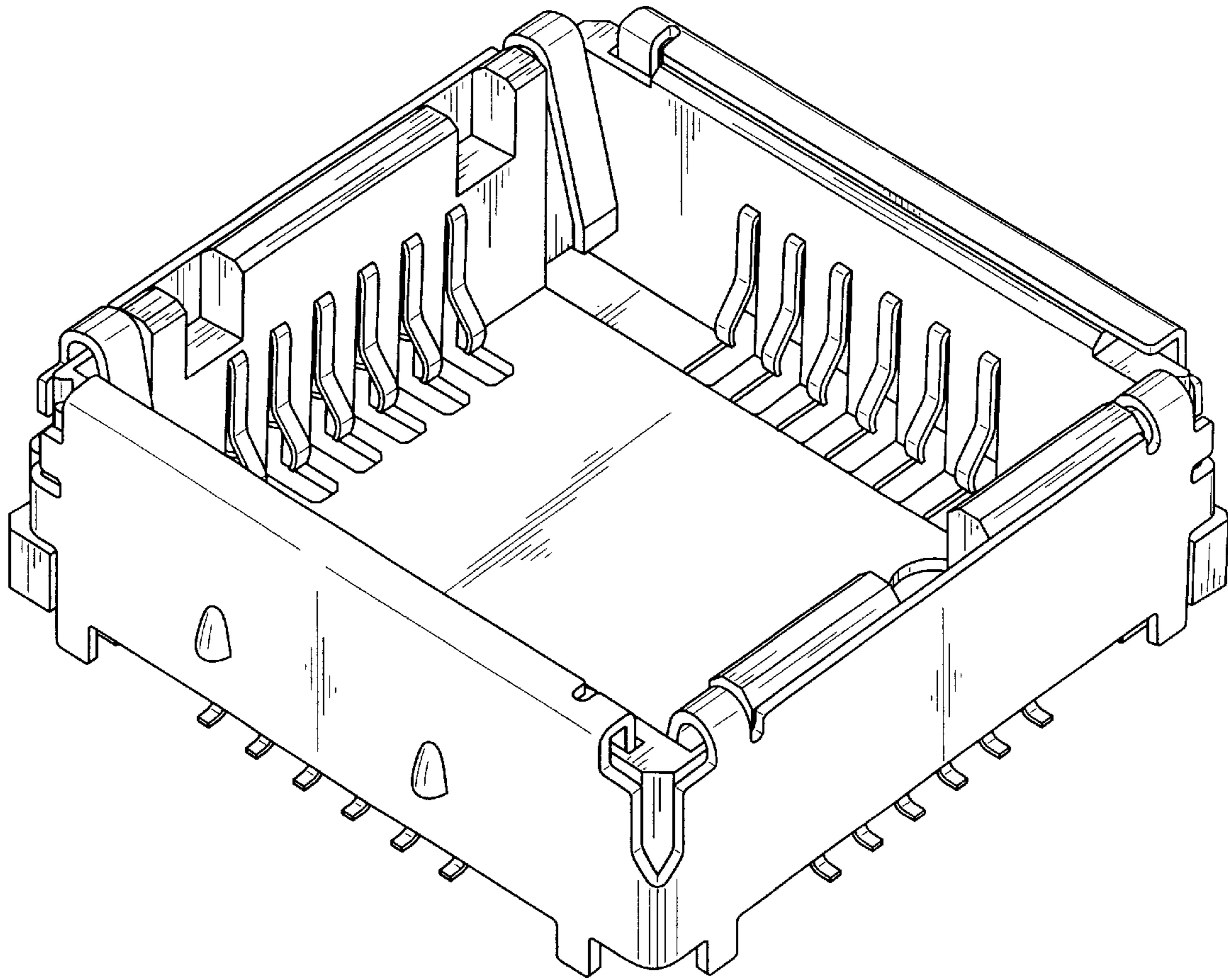


FIG. 1

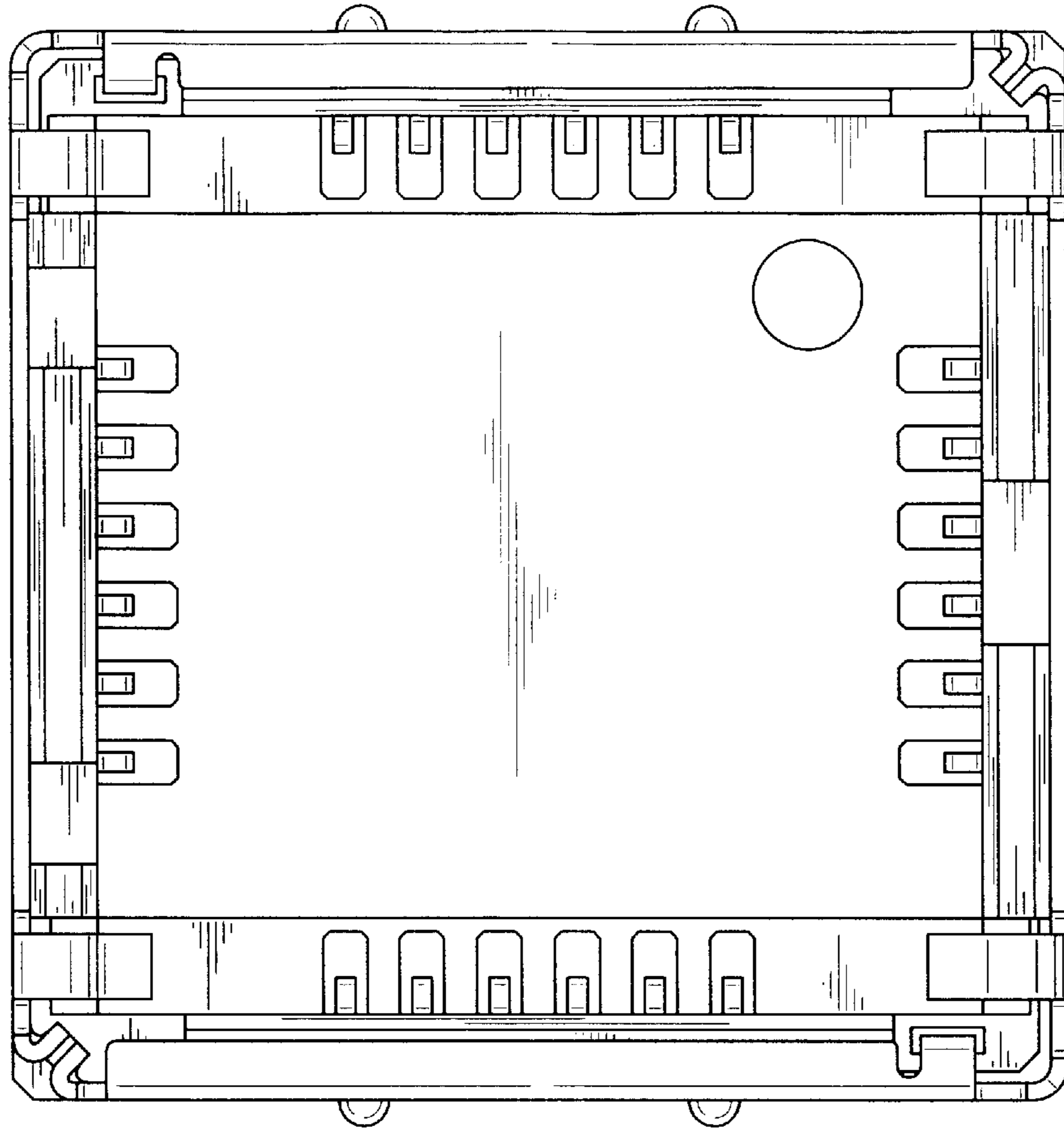


FIG. 2

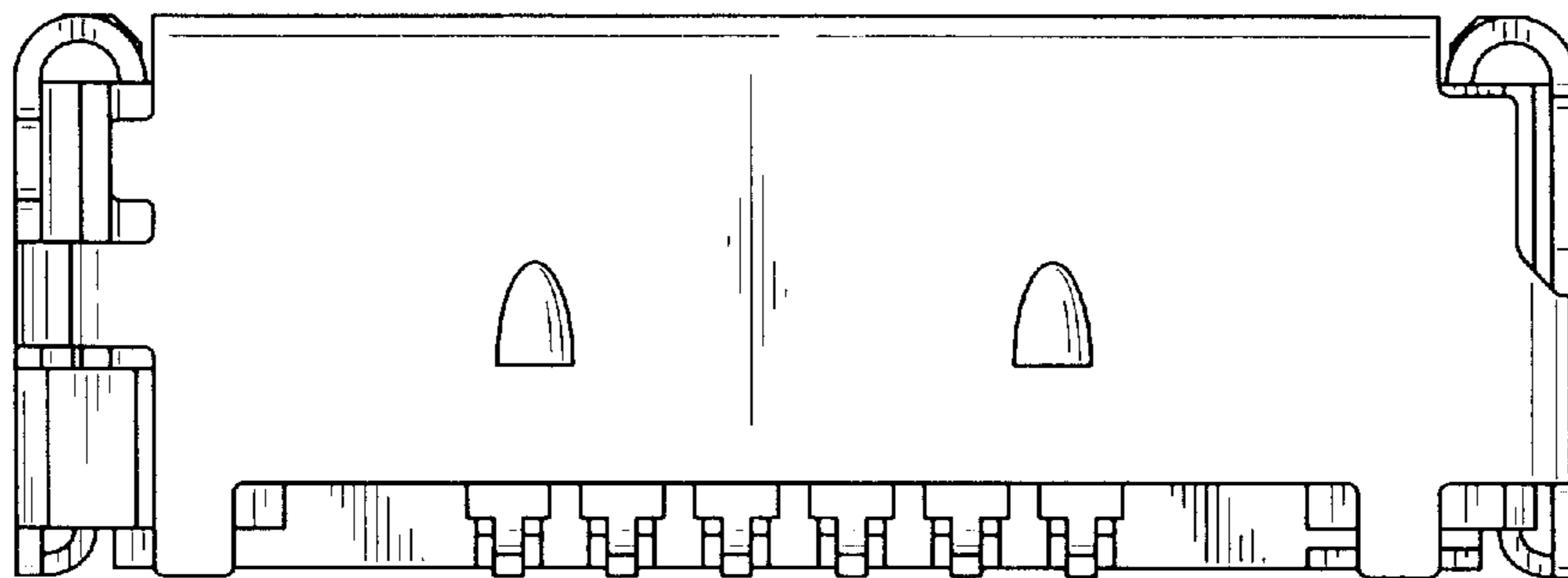


FIG. 3

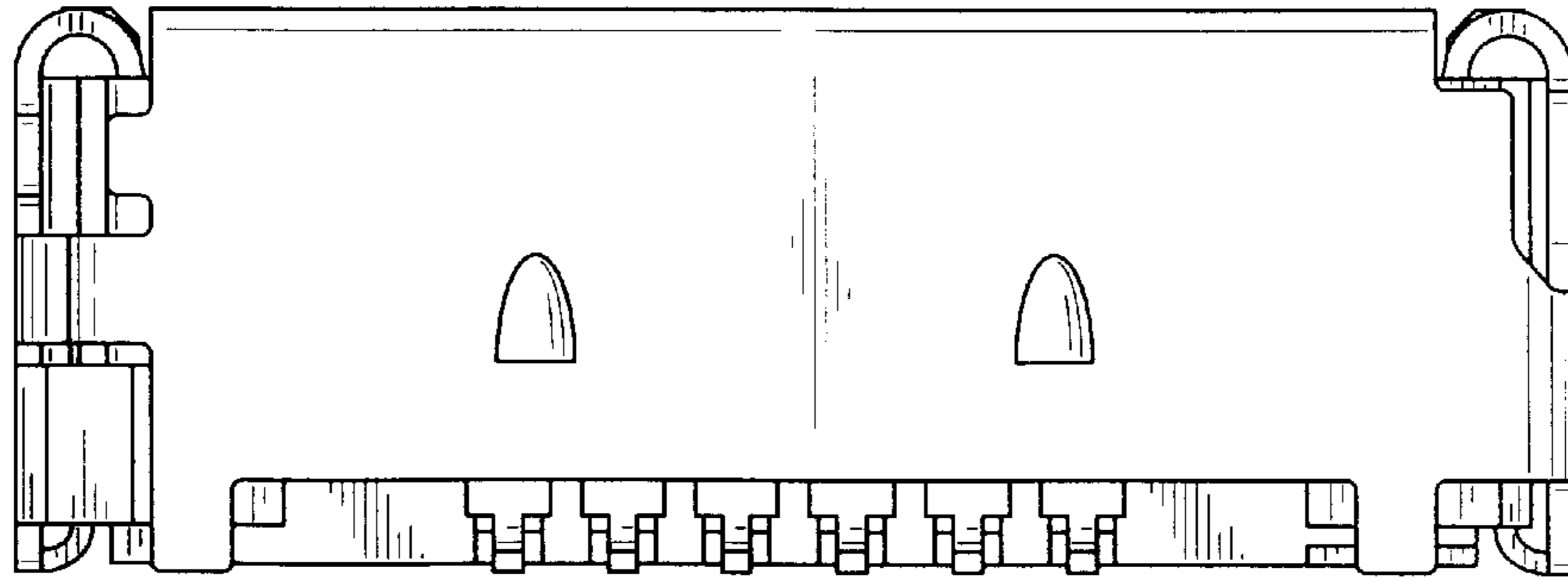


FIG. 4

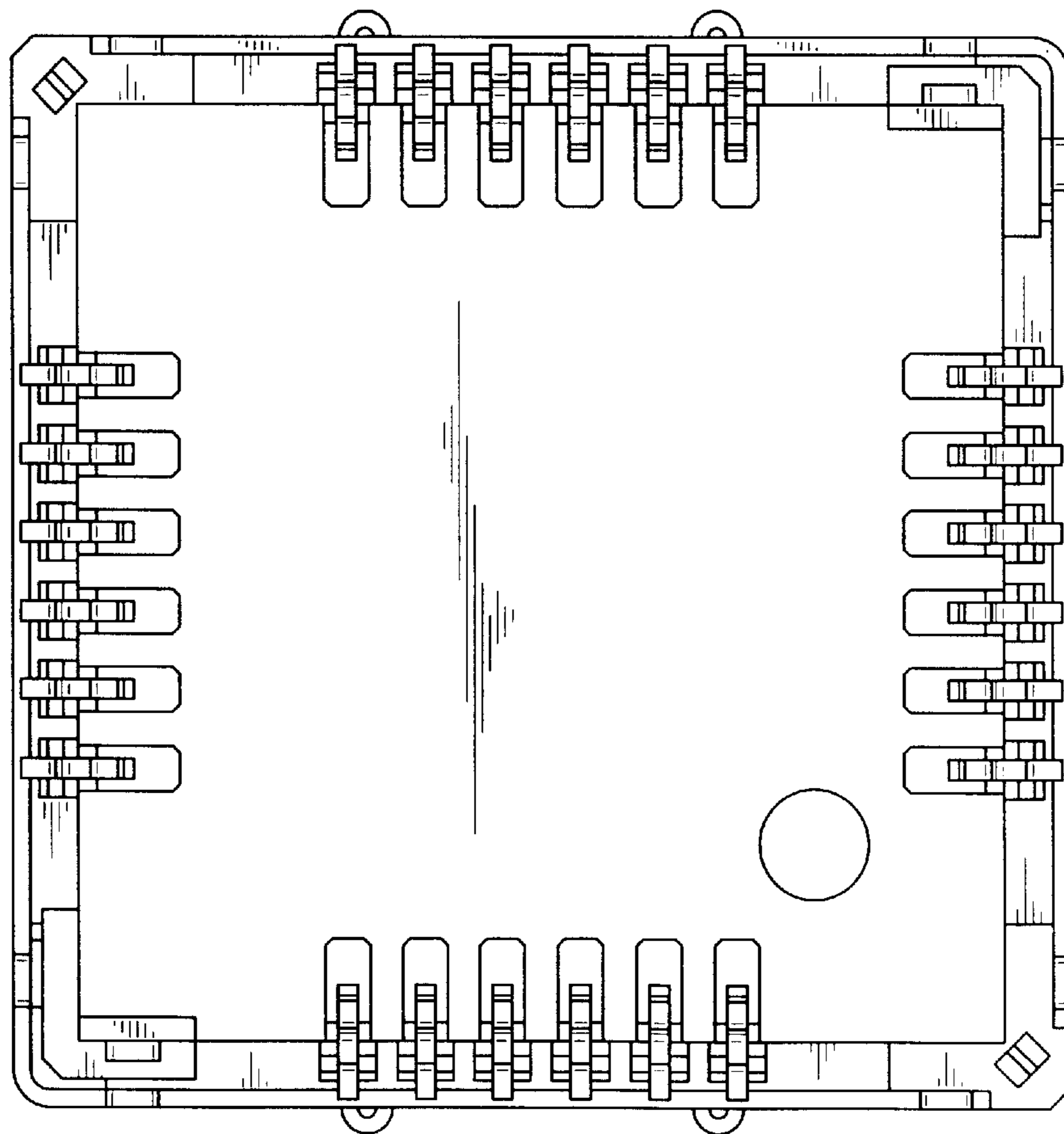


FIG. 5

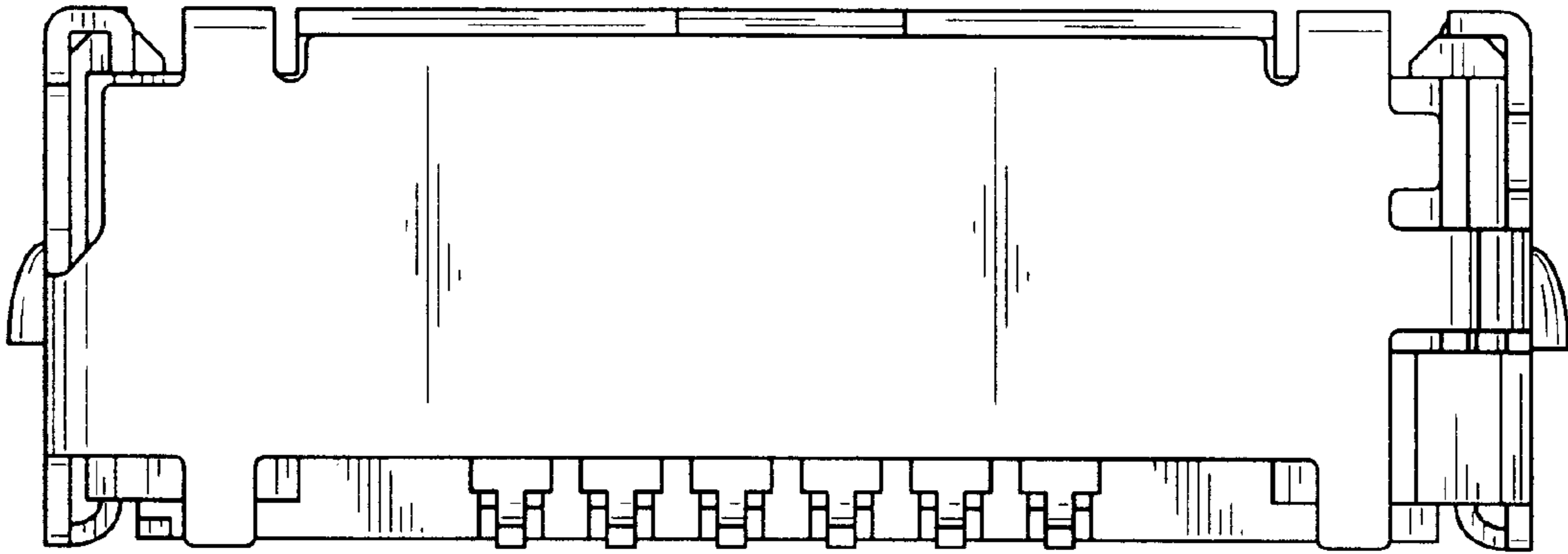


FIG. 6

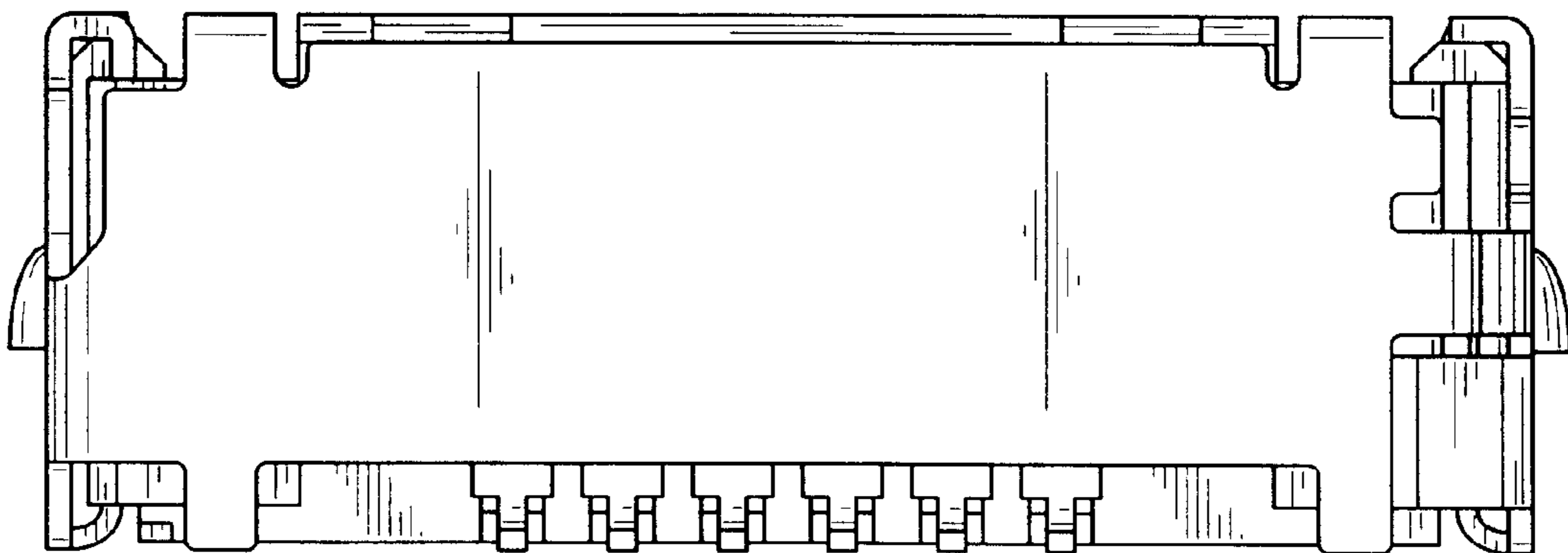


FIG. 7