

US00D539744S

(12) **United States Design Patent**
Hu et al.

(10) **Patent No.:** **US D539,744 S**

(45) **Date of Patent:** **** Apr. 3, 2007**

(54) **HDMI CONNECTOR**

(75) Inventors: **Cheng Hu**, Kunshan (CN); **Jin-Kui Hu**, Kunshan (CN); **Guo-Hua Zhang**, Kunshan (CN)

(73) Assignee: **Hon Hai Precision Ind. Co., Ltd.**, Taipei Hsien (TW)

(**) Term: **14 Years**

(21) Appl. No.: **29/242,480**

(22) Filed: **Nov. 10, 2005**

(30) **Foreign Application Priority Data**

May 10, 2005 (CN) 2005 3 0083391

(51) **LOC (8) Cl.** **13-03**

(52) **U.S. Cl.** **D13/147; D13/151**

(58) **Field of Classification Search** D13/123, D13/133, 146-147, 154, 184, 199; 439/79, 439/108, 248, 278, 358, 374, 377, 476.1, 439/571, 573, 660, 677, 607-610, 680, 682, 439/717, 883, 891, 894

See application file for complete search history.

(56) **References Cited**

U.S. PATENT DOCUMENTS

4,911,659 A * 3/1990 Viselli 439/570

4,938,704 A * 7/1990 Fujiura 439/95
D318,266 S * 7/1991 Matsuzaki D13/147
D326,256 S * 5/1992 Lambert et al. D13/147
D390,192 S * 2/1998 Ono D13/147
6,203,374 B1 * 3/2001 Huang et al. 439/607
D517,994 S * 3/2006 Zhang et al. D13/147
D520,452 S * 5/2006 Moriwake et al. D13/147

* cited by examiner

Primary Examiner—Daniel Bui

(74) *Attorney, Agent, or Firm*—Wei Te Chung

(57) **CLAIM**

The ornamental design for an HDMI connector, as shown.

DESCRIPTION

FIG. 1 is a perspective view of an HDMI connector showing our new design;

FIG. 2 is a front elevational view of FIG. 1;

FIG. 3 is a rear elevational view of FIG. 1;

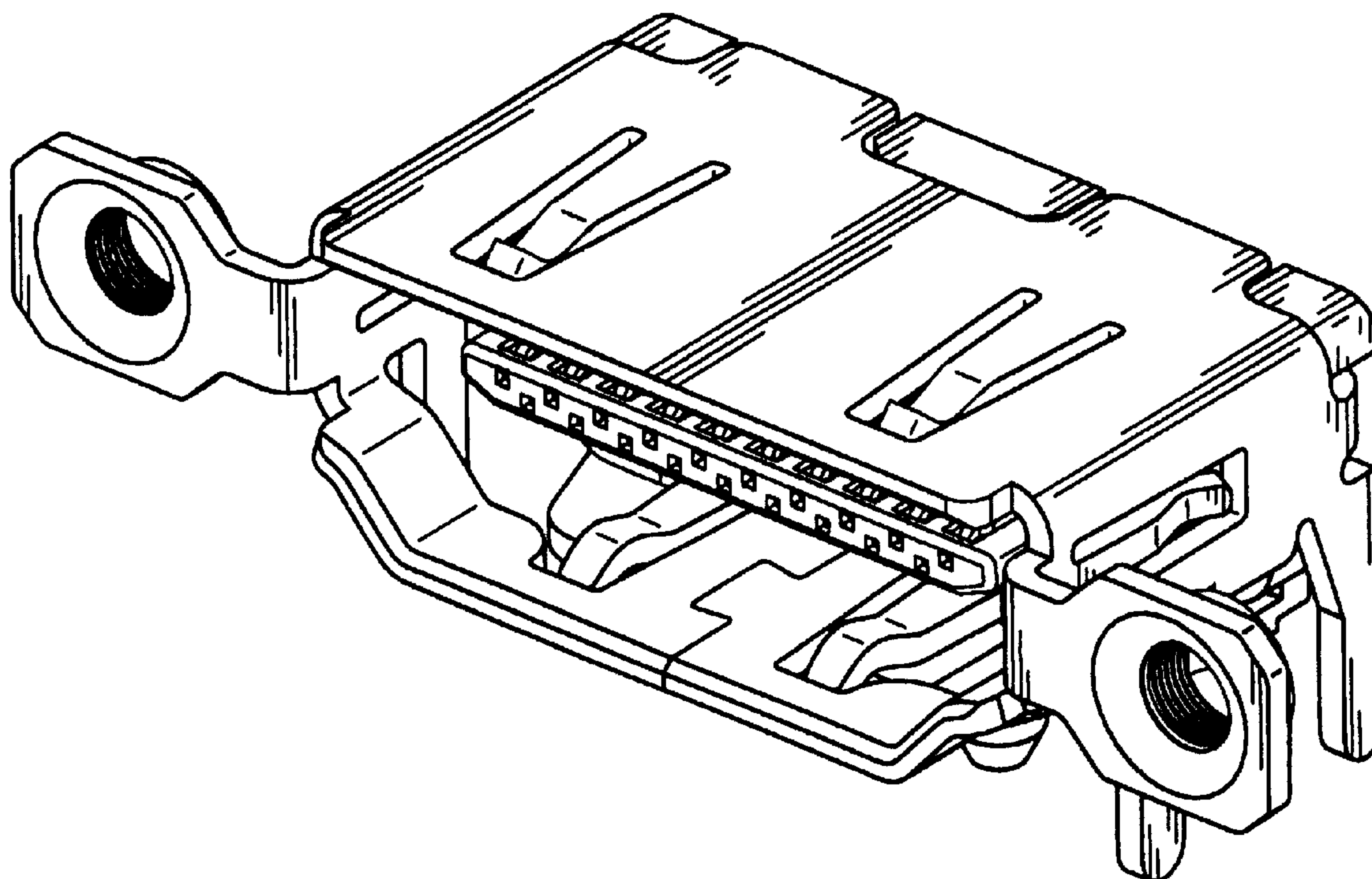
FIG. 4 is a left side elevational view of FIG. 1;

FIG. 5 is a right side elevational view of FIG. 1;

FIG. 6 is a top plan view of FIG. 1; and,

FIG. 7 is a bottom plan view of FIG. 1.

1 Claim, 7 Drawing Sheets



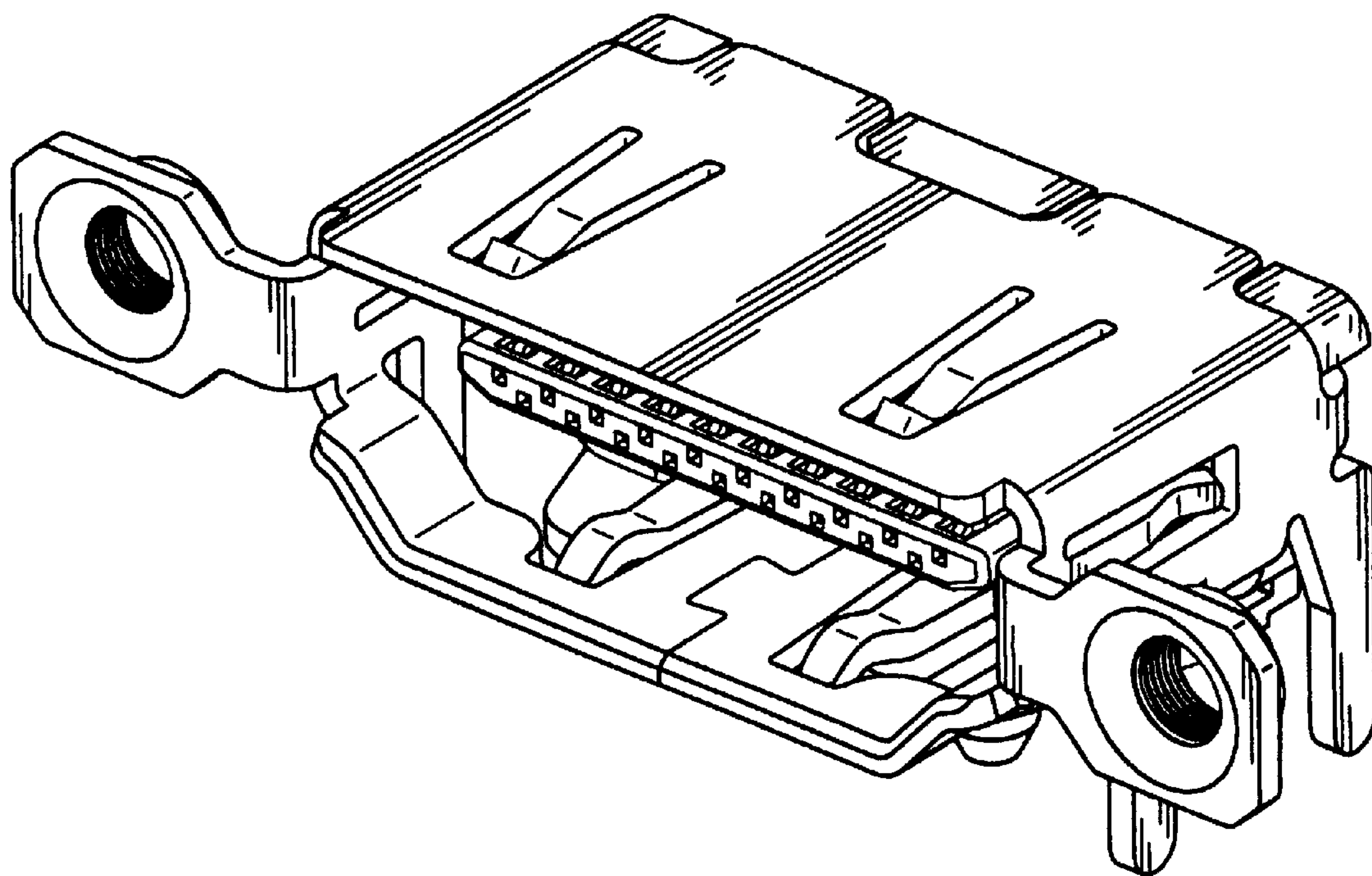


FIG. 1

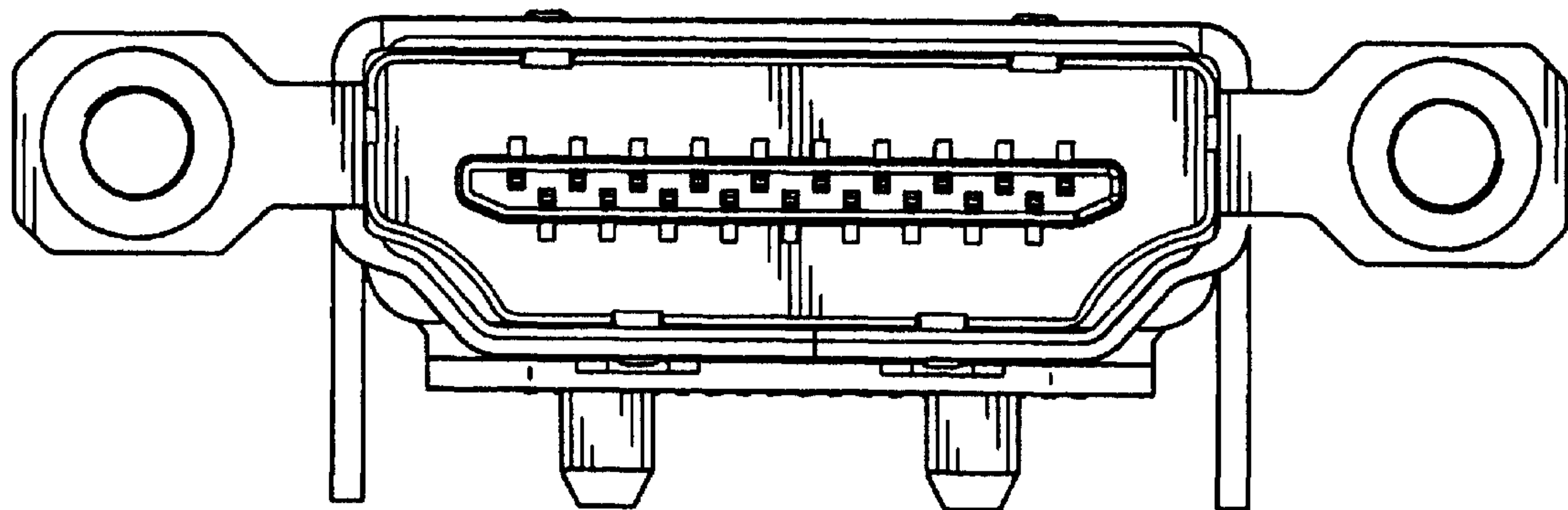


FIG. 2

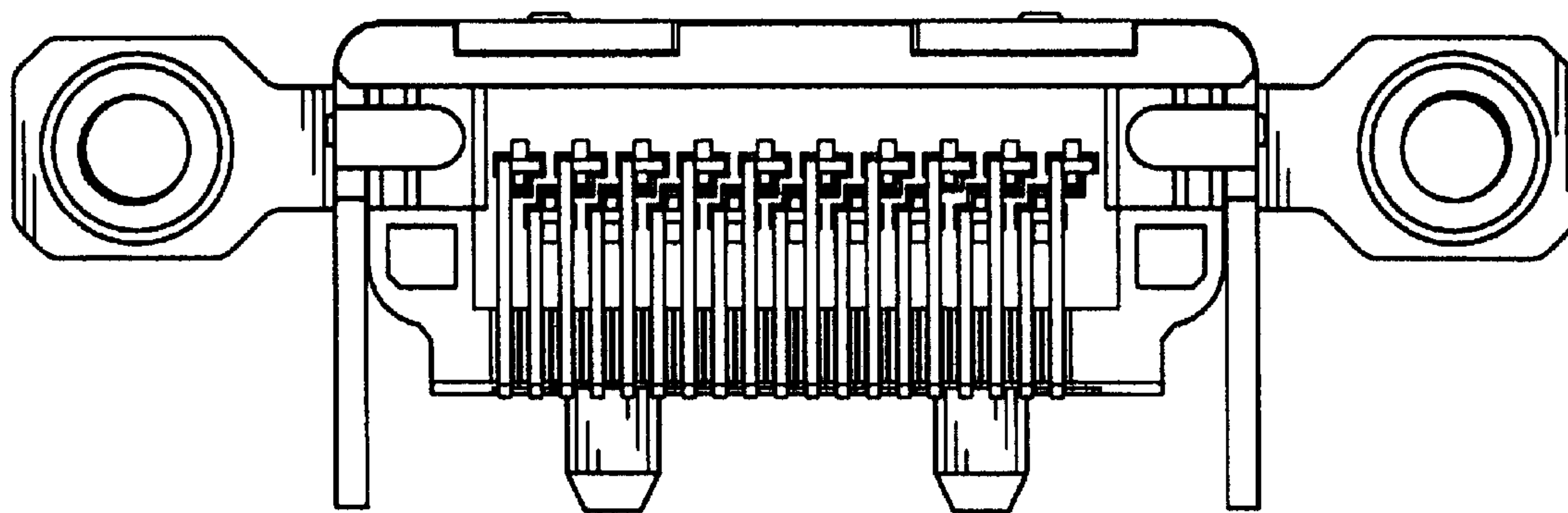


FIG. 3

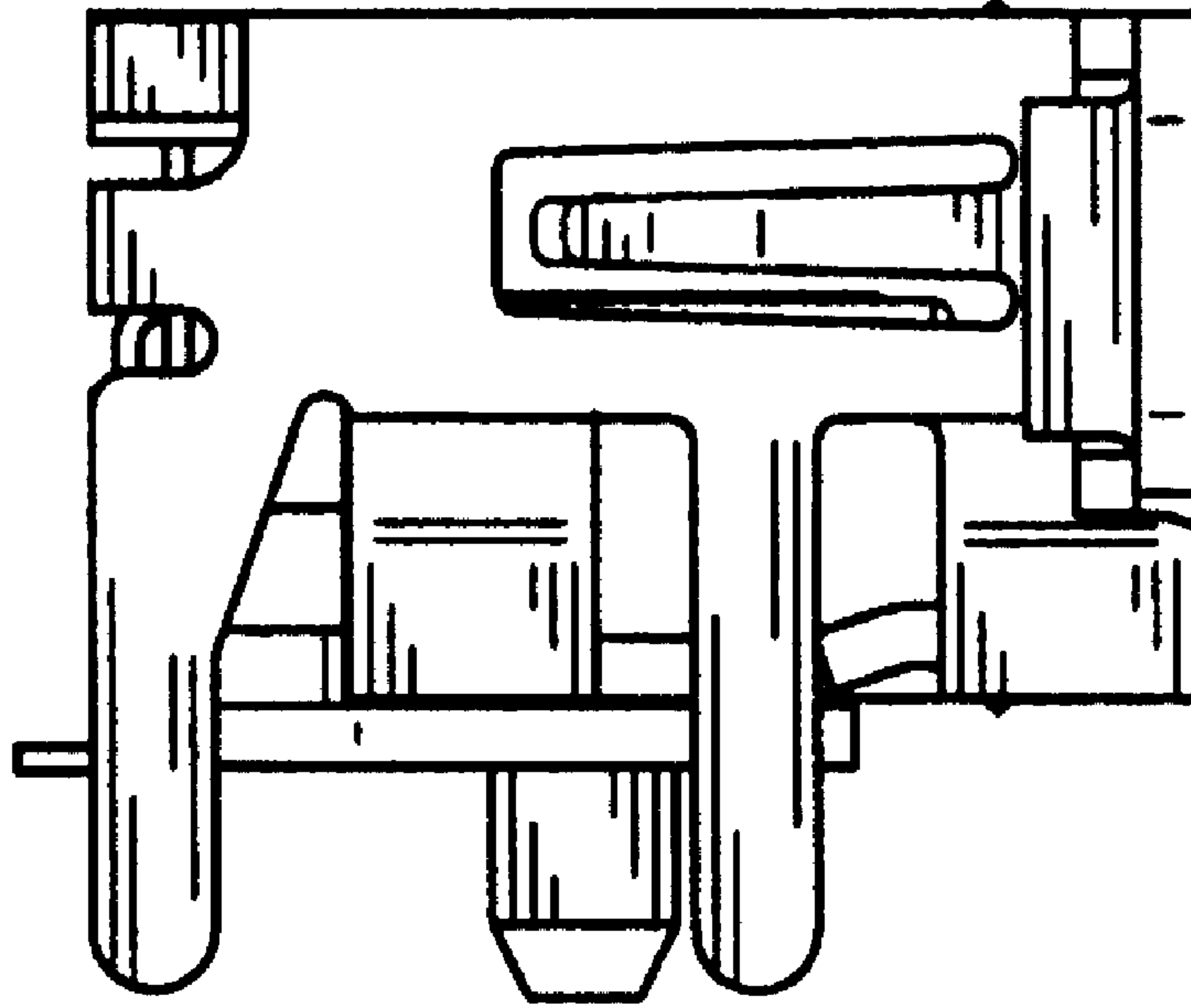


FIG. 4

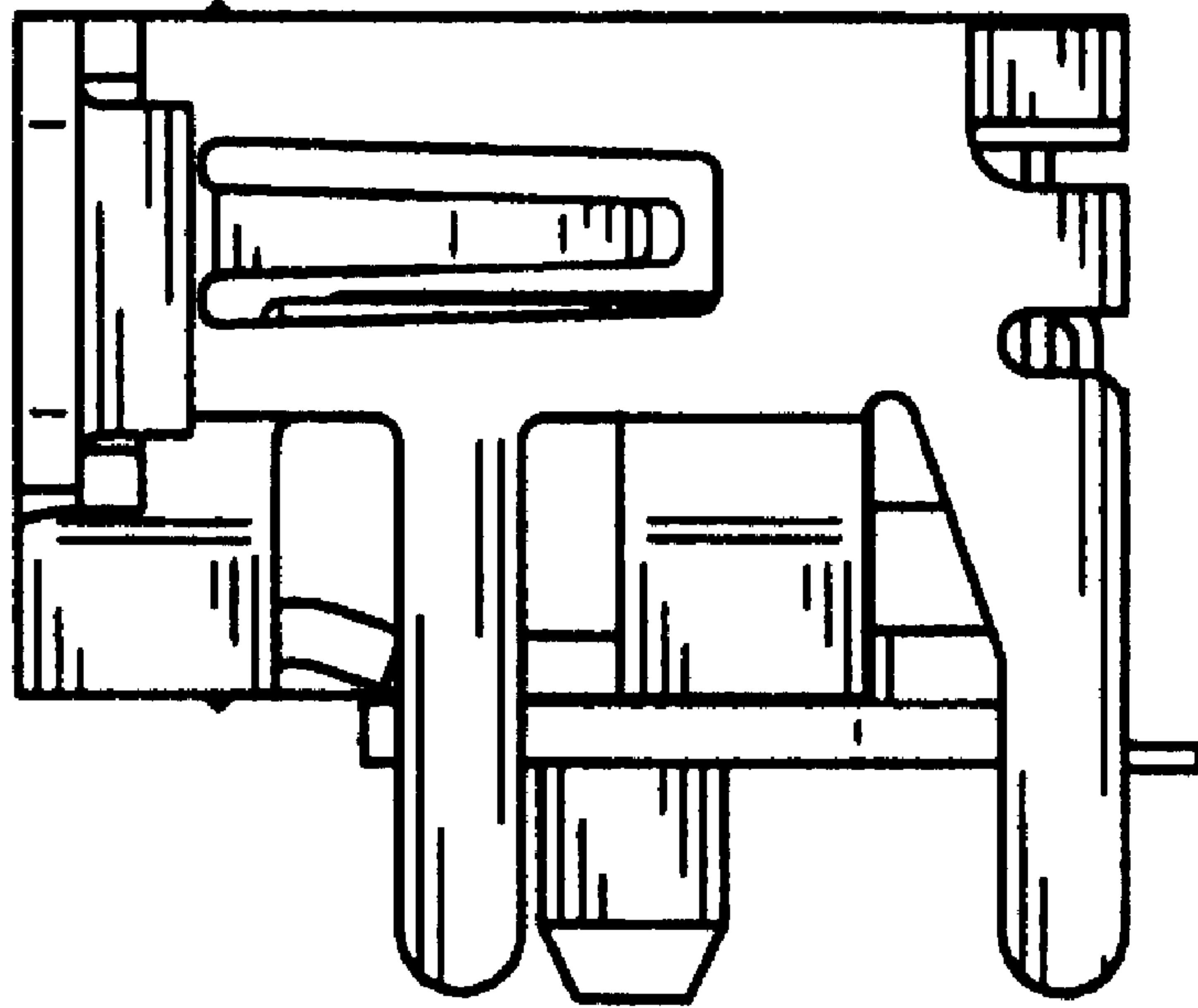


FIG. 5

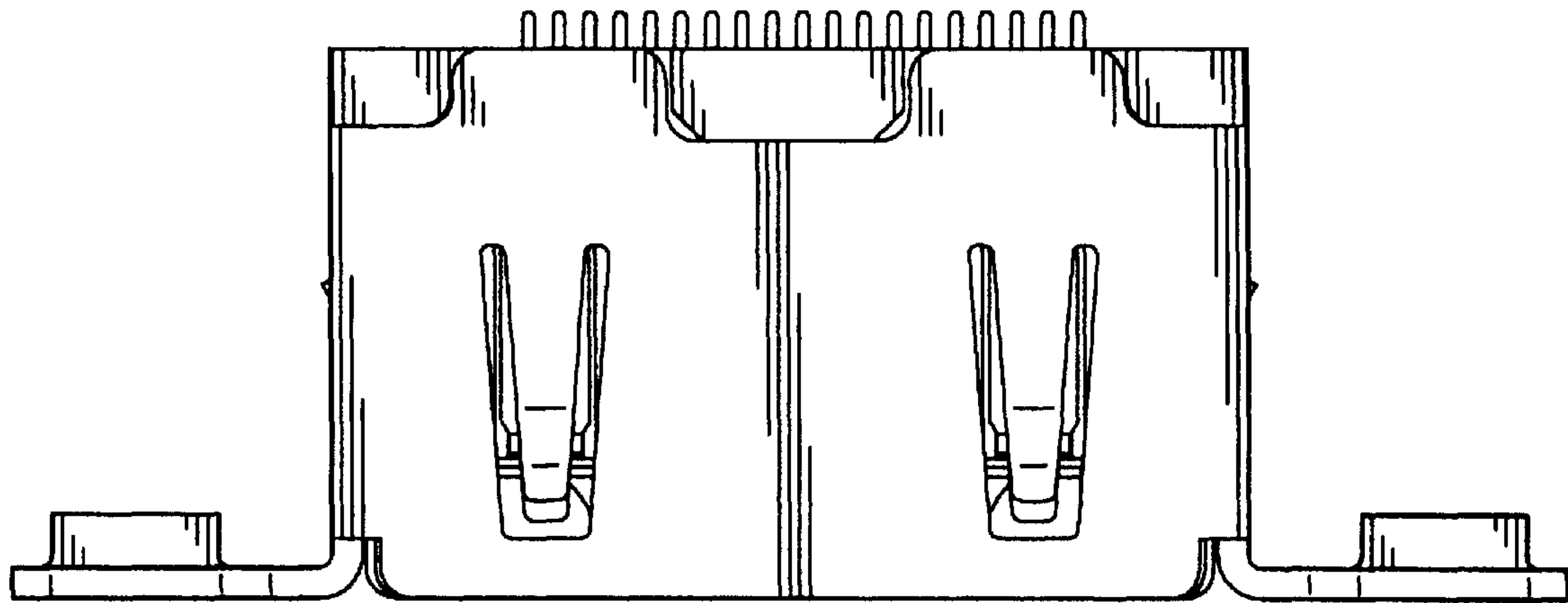


FIG. 6

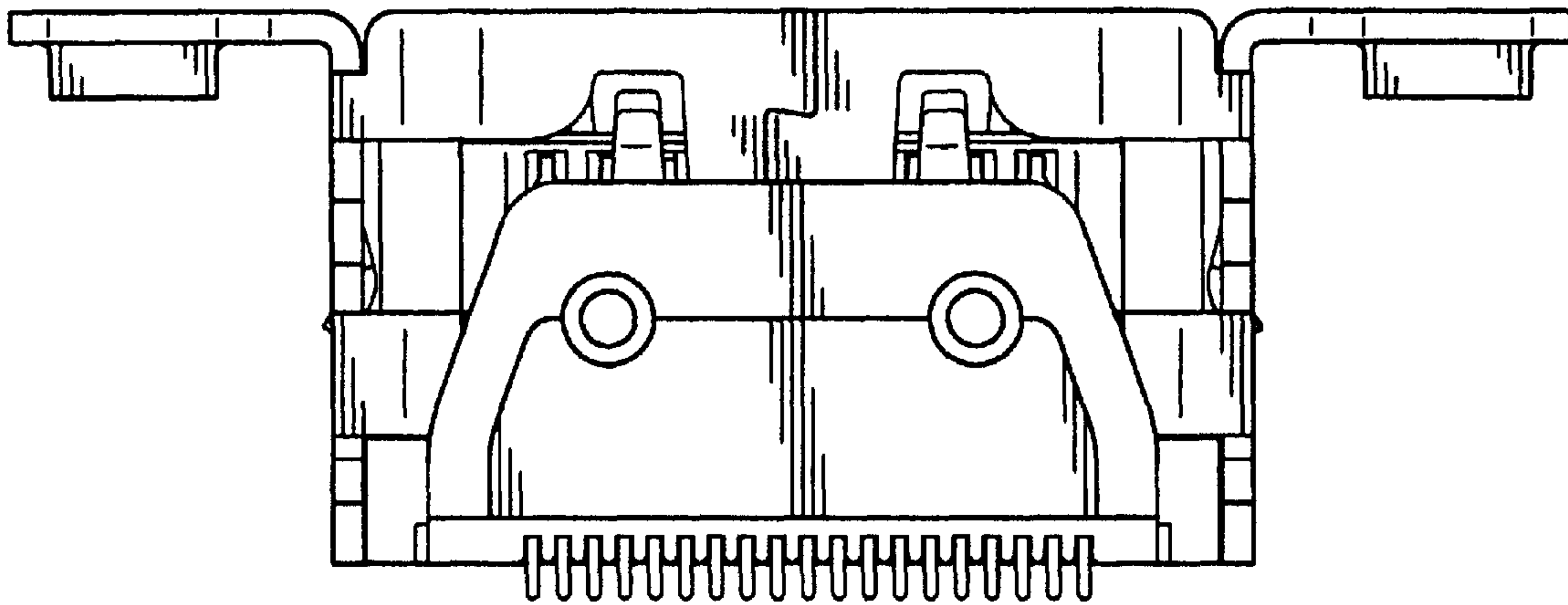


FIG. 7