

US00D539742S

(12) **United States Design Patent** (10) **Patent No.:** **US D539,742 S**
Campolo et al. (45) **Date of Patent:** **** Apr. 3, 2007**

(54) **SINGLE LAMP HOLDER WITH GROUND
FAULT CIRCUIT INTERRUPTER
RECEPTACLE**

(75) Inventors: **Steve Campolo**, Malverne, NY (US);
Lawrence S. Leopold, Floral Park, NY
(US); **James Richter**, Bethpage, NY
(US); **James A. Porter**, Farmingdale,
NY (US)

(73) Assignee: **Leviton Manufacturing Co., Inc.**,
Little Neck, NY (US)

(**) Term: **14 Years**

(21) Appl. No.: **29/226,501**

(22) Filed: **Mar. 30, 2005**

(51) **LOC (8) Cl.** **13-03**

(52) **U.S. Cl.** **D13/134; D26/138**

(58) **Field of Classification Search** D13/133-136,
D13/146-147, 160, 184, 199; D26/93, 102,
D26/106, 138; 313/1, 51, 238-239, 243,
313/281, 358; 361/42; 439/248, 254, 890,
439/894

See application file for complete search history.

(56) **References Cited**

U.S. PATENT DOCUMENTS

D152,275 S * 1/1949 Ludwig D13/146
D209,146 S * 11/1967 Duvall et al. D13/134

D281,682 S * 12/1985 Pfeiffer, Jr. D13/134
D380,731 S * 7/1997 Schadhauer D13/134
D508,752 S * 8/2005 Wachter D26/118
2005/0275982 A1 * 12/2005 Campolo et al. 361/42
2006/0126235 A1 * 6/2006 Campolo et al. 361/42

FOREIGN PATENT DOCUMENTS

DE DM/051313 * 2/2000
DE DM/064242 * 4/2003

* cited by examiner

Primary Examiner—Daniel Bui

(74) *Attorney, Agent, or Firm*—Paul J. Sutton

(57) **CLAIM**

The ornamental design for a single lamp holder with ground
fault circuit interrupter receptacle, as shown and described.

DESCRIPTION

FIG. 1 is a top, front and right side perspective view of a
single lamp holder with ground fault circuit interrupter
receptacle, showing our new design;

FIG. 2 is a right side elevation view thereof;

FIG. 3 is a top plan view thereof;

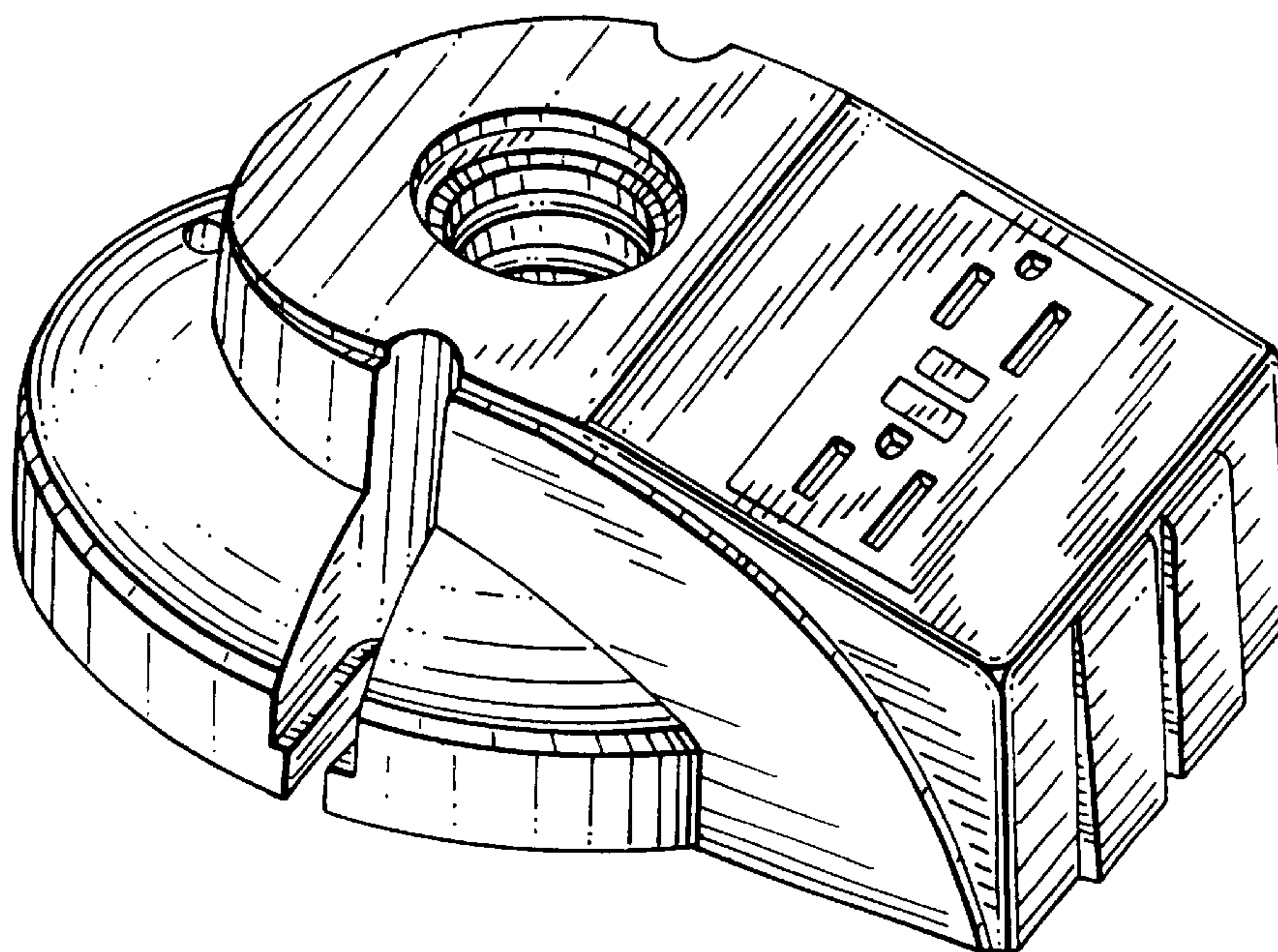
FIG. 4 is a left side elevation view thereof;

FIG. 5 is a back elevation view thereof, a front elevation
view being a mirror image of thereof; and,

FIG. 6 is a bottom plan view thereof.

The broken line showing of the environment is for illustra-
tive purpose only and forms no part of the claimed design.

1 Claim, 3 Drawing Sheets



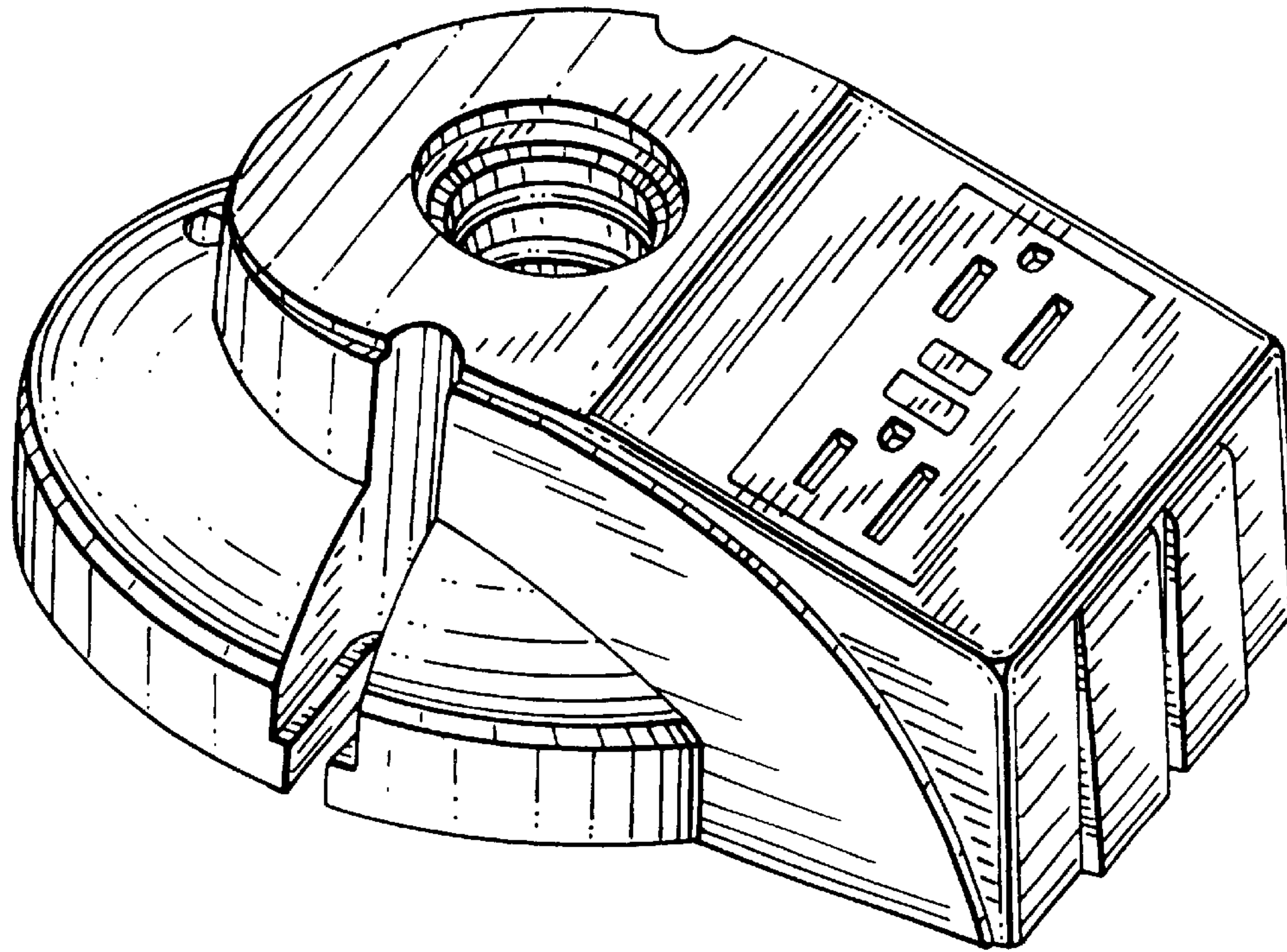


FIG. 1

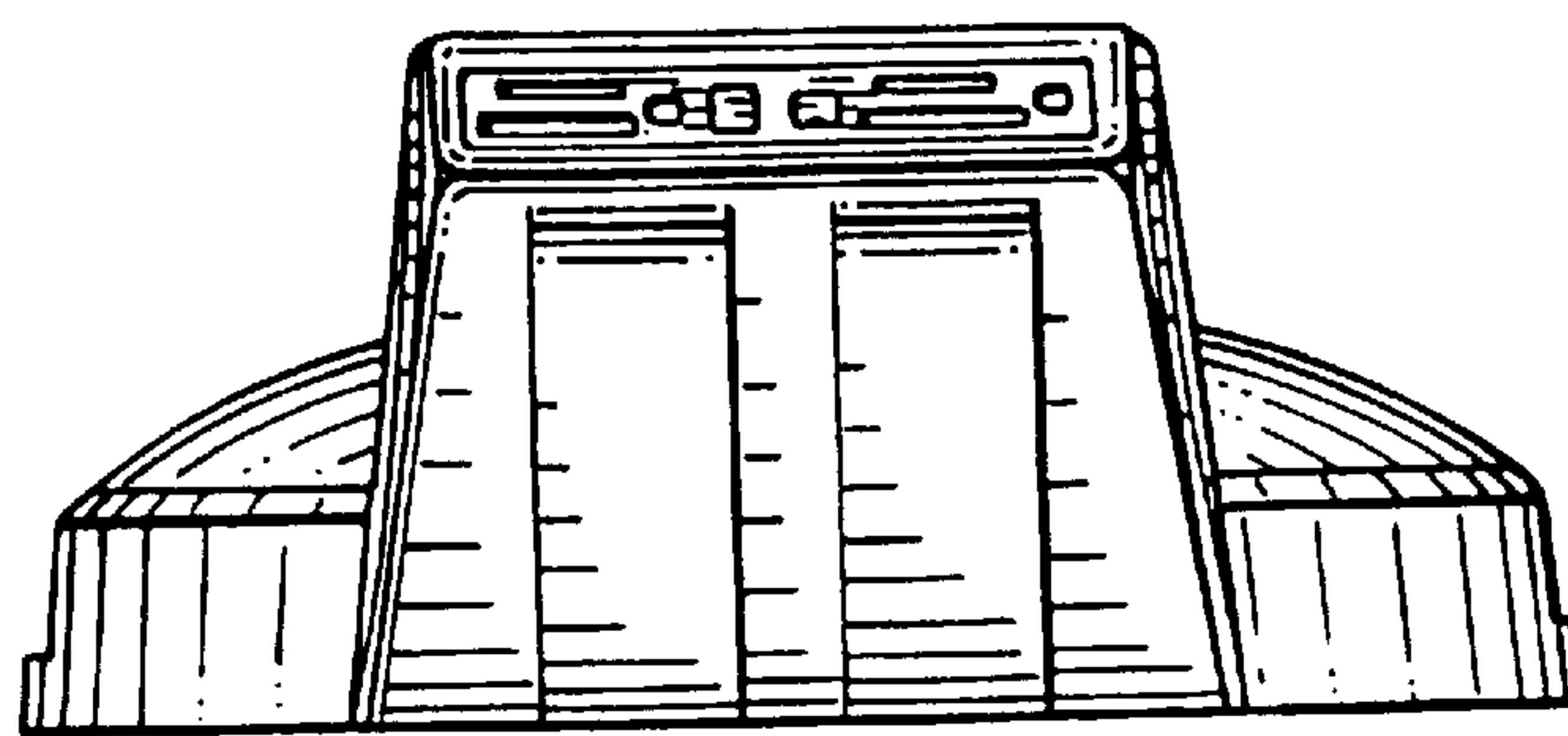


FIG. 2

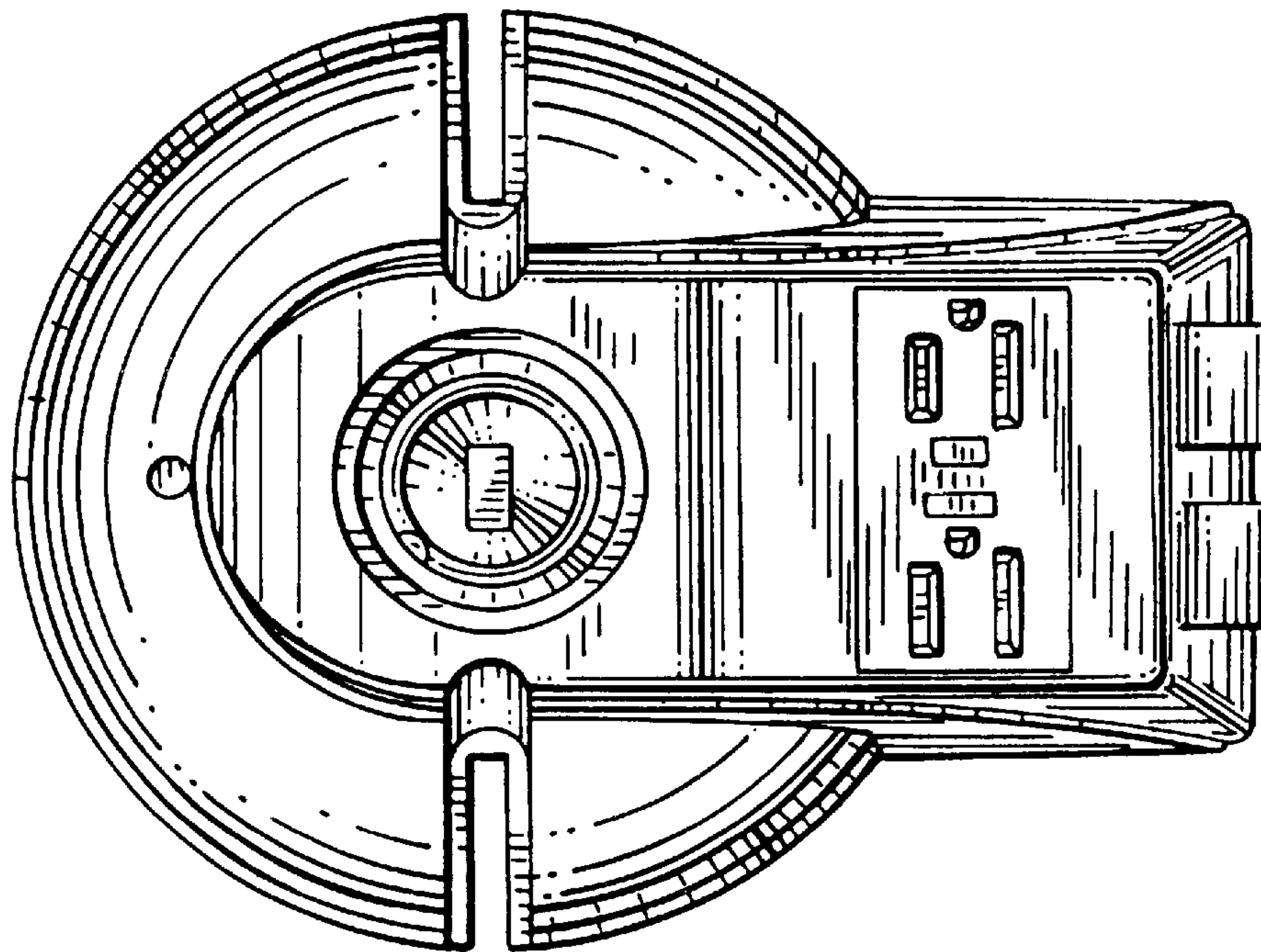


FIG. 3

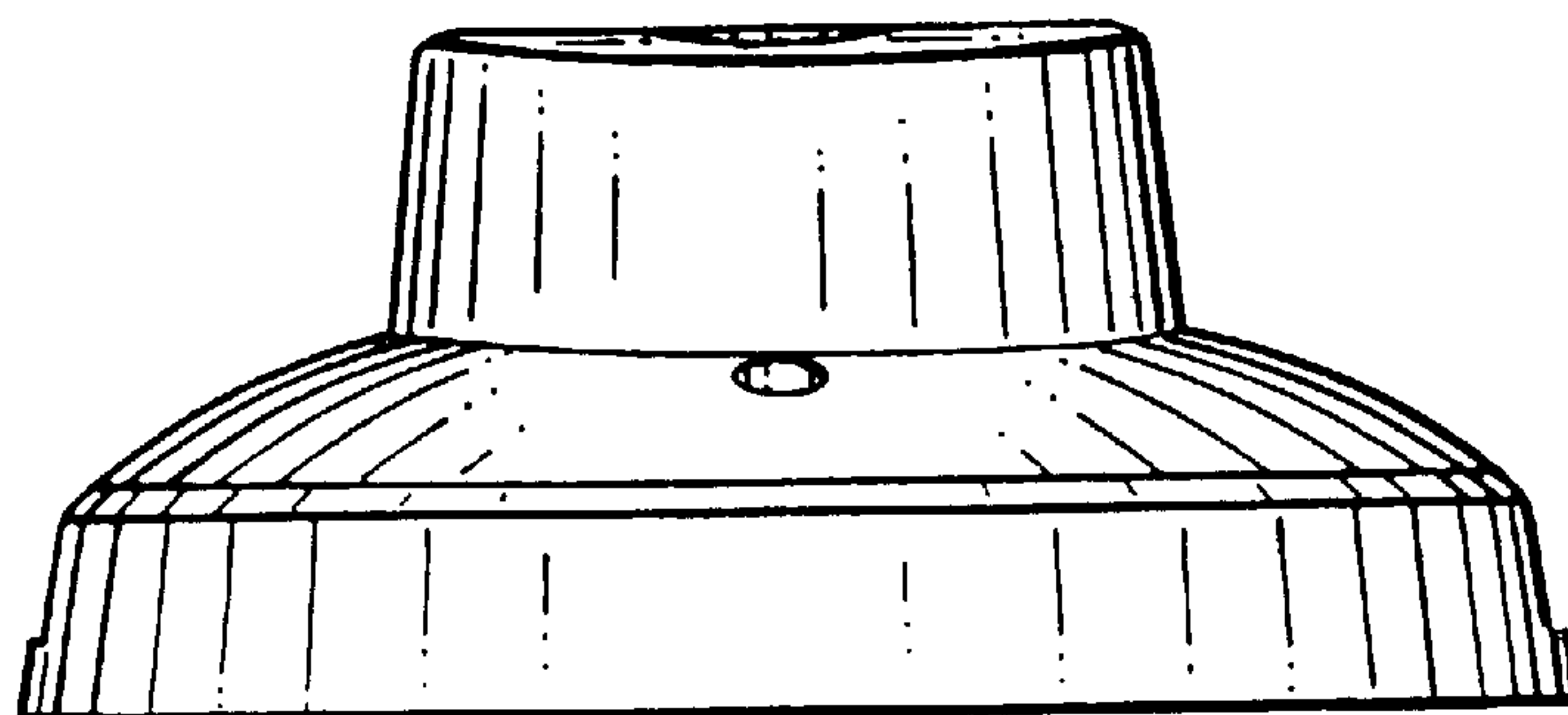


FIG. 4

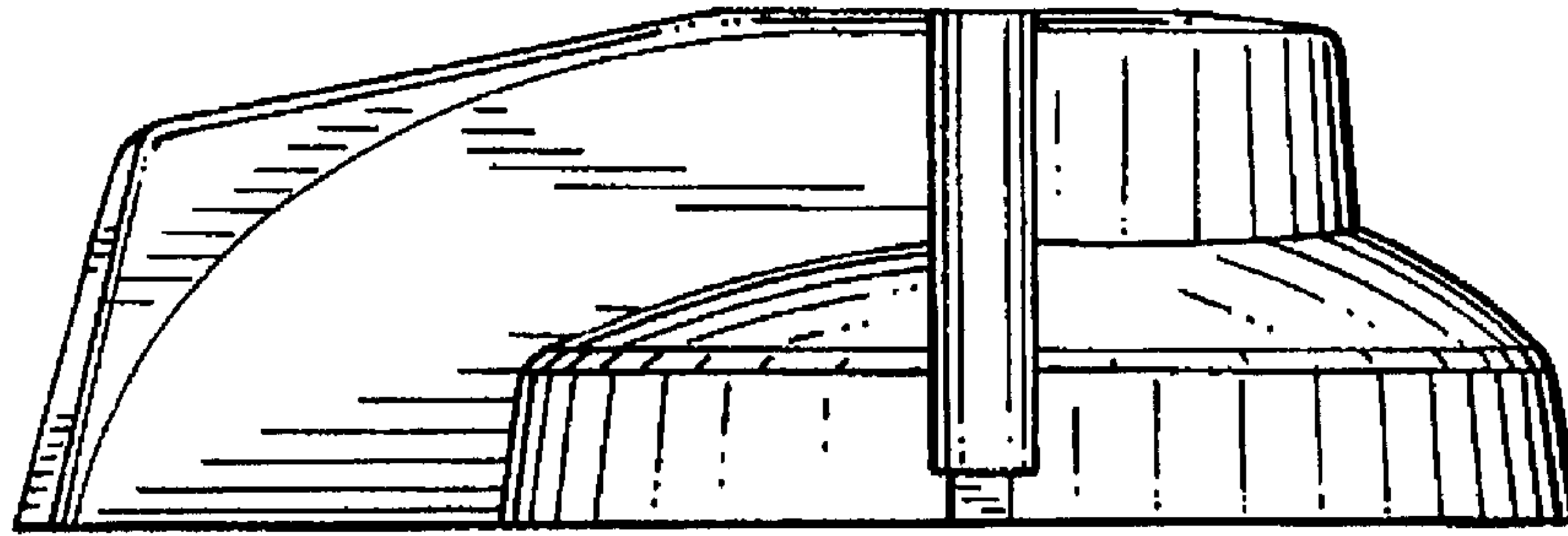


FIG. 5

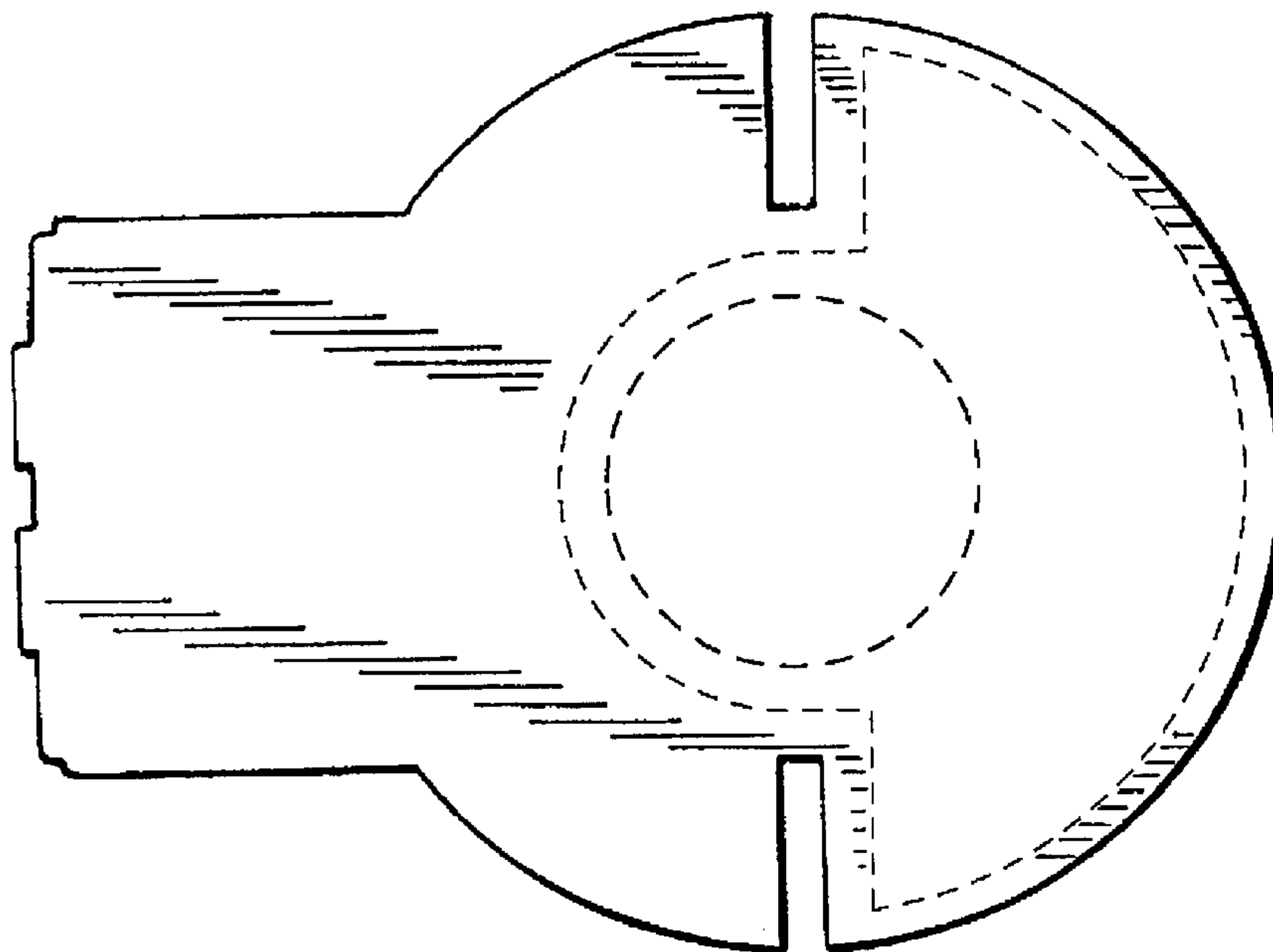


FIG. 6