



US00D539741S

(12) **United States Design Patent**
Takehara et al.

(10) **Patent No.:** **US D539,741 S**

(45) **Date of Patent:** **** Apr. 3, 2007**

(54) **OPTICAL CONNECTOR WITH SHUTTER**

(75) Inventors: **Naoya Takehara**, Higashiosaka (JP);
Keiji Mine, Yao (JP); **Hiroshi Nakagawa**, Souraku-gun (JP)

(73) Assignee: **Hosiden Corporation**, Yao-shi (JP)

(*) Notice: This patent is subject to a terminal disclaimer.

(**) Term: **14 Years**

(21) Appl. No.: **29/241,997**

(22) Filed: **Nov. 4, 2005**

(30) **Foreign Application Priority Data**

May 10, 2005 (JP) 2005-013268

(51) **LOC (8) Cl.** **13-03**

(52) **U.S. Cl.** **D13/133; D13/147**

(58) **Field of Classification Search** D13/133,
D13/146-147, 154, 199; 439/79, 83, 108,
439/181, 607-610, 639

See application file for complete search history.

(56) **References Cited**

U.S. PATENT DOCUMENTS

- D325,372 S * 4/1992 Taguchi et al. D13/147
- 5,205,763 A * 4/1993 Watanabe et al. 439/752
- D380,196 S * 6/1997 Aramaki D13/147
- D410,895 S * 6/1999 Bandura et al. D13/147
- D434,382 S * 11/2000 Shimojyo D13/147
- D449,821 S * 10/2001 Shimojyo D13/147
- D462,326 S * 9/2002 Okamoto D13/147
- D465,459 S * 11/2002 Zhu et al. D13/147

- D465,767 S * 11/2002 Zhu et al. D13/147
- D503,927 S * 4/2005 Yoneyama et al. D13/147
- D508,679 S * 8/2005 Li et al. D13/147
- 2005/0048840 A1 * 3/2005 Zhang 439/607

* cited by examiner

Primary Examiner—Daniel Bui

(74) *Attorney, Agent, or Firm*—Armstrong, Kratz, Quintos, Hanson & Brooks, LLP

(57) **CLAIM**

The ornamental design for an optical connector with shutter, as shown and described.

DESCRIPTION

FIG. 1 is a front view of an optical connector with shutter showing our new design;

FIG. 2 is a rear view thereof;

FIG. 3 is a right side view thereof;

FIG. 4 is a left side view thereof;

FIG. 5 is a plan view thereof;

FIG. 6 is a bottom view thereof;

FIG. 7 is a front perspective view thereof;

FIG. 8 is a rear perspective view thereof;

FIG. 9 is a cross-sectional view thereof, taken along the line 9—9, in FIG. 1;

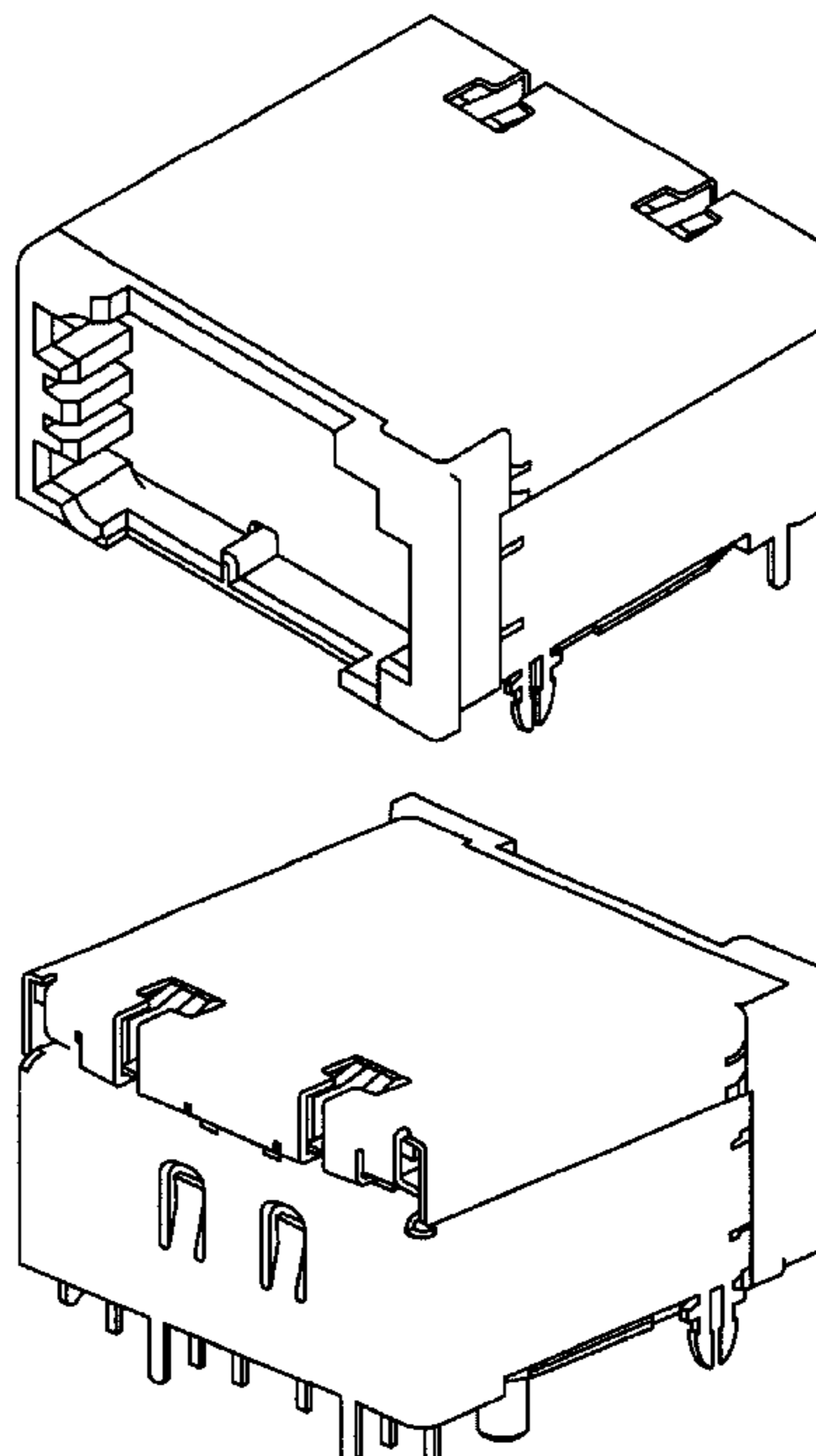
FIG. 10 is a cross-sectional view thereof, taken along the line 10—10, in FIG. 1;

FIG. 11 is a cross-sectional view thereof, taken along the line 11—11, in FIG. 1, in use condition; and,

FIG. 12 is a cross-sectional view thereof, taken along the line 11—11, in FIG. 1, with lower shutter is inclined.

The broken line shown the environment is for illustrative purposes only and form no part of the claimed design.

1 Claim, 5 Drawing Sheets



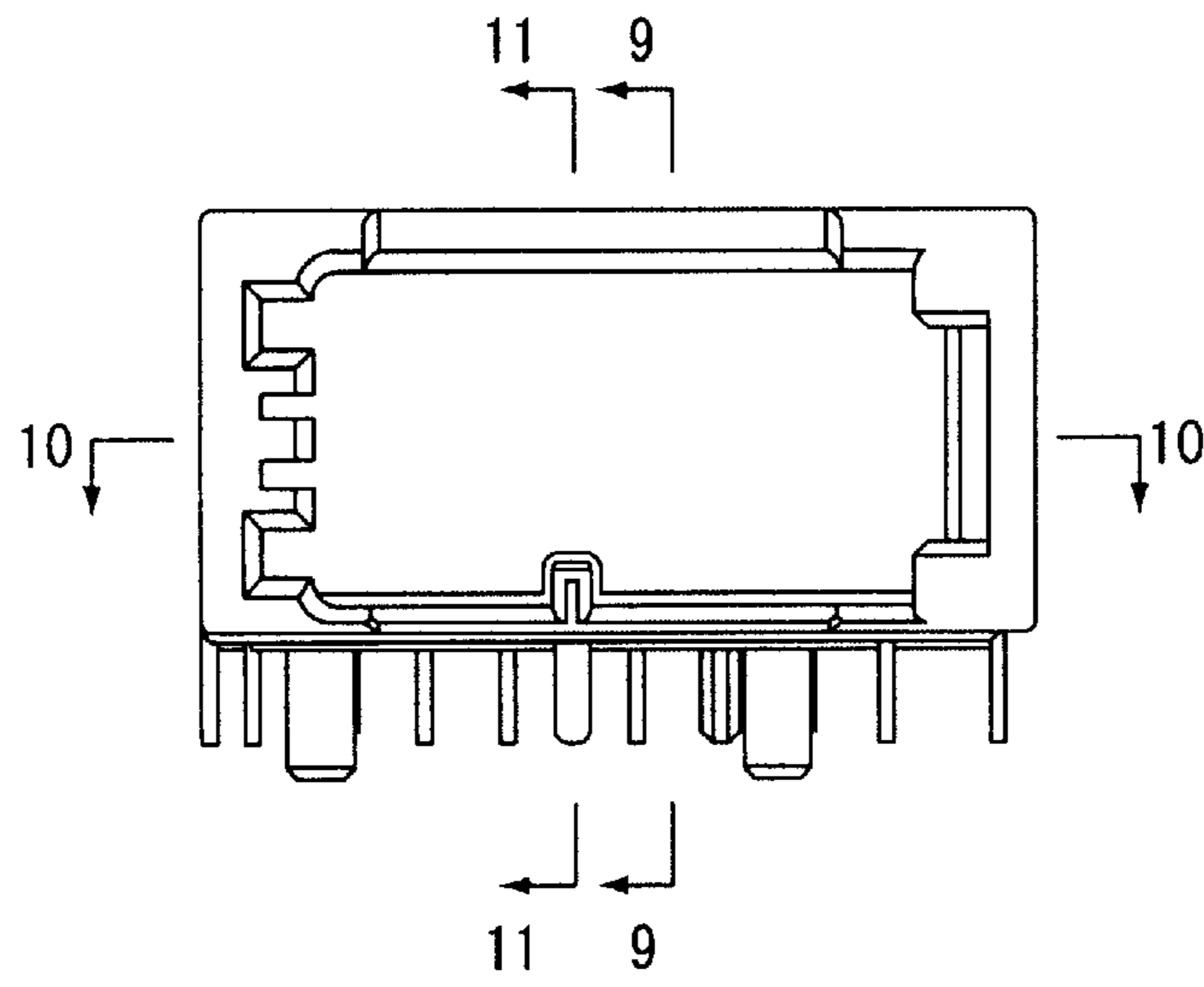


FIGURE 1

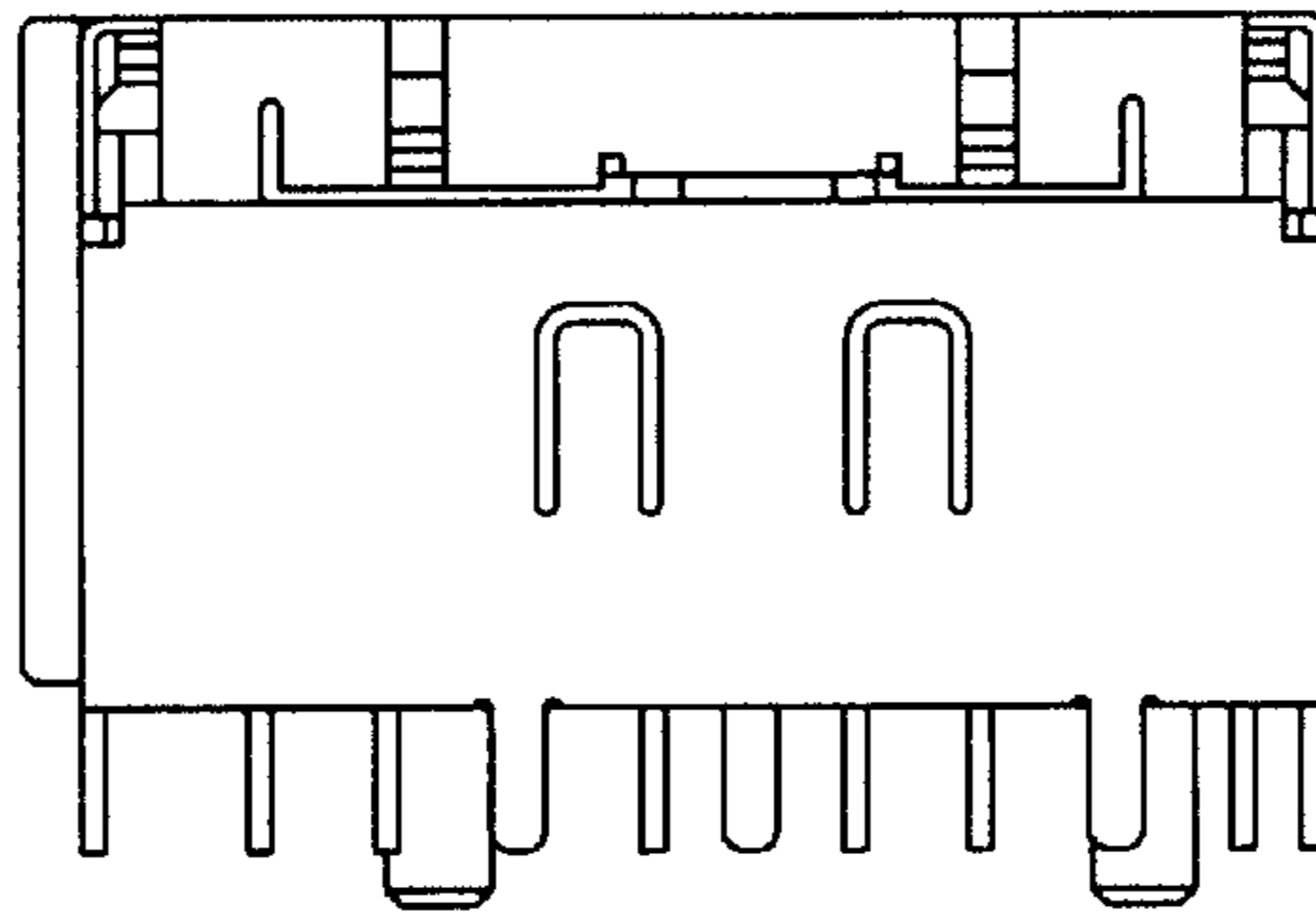


FIGURE 2

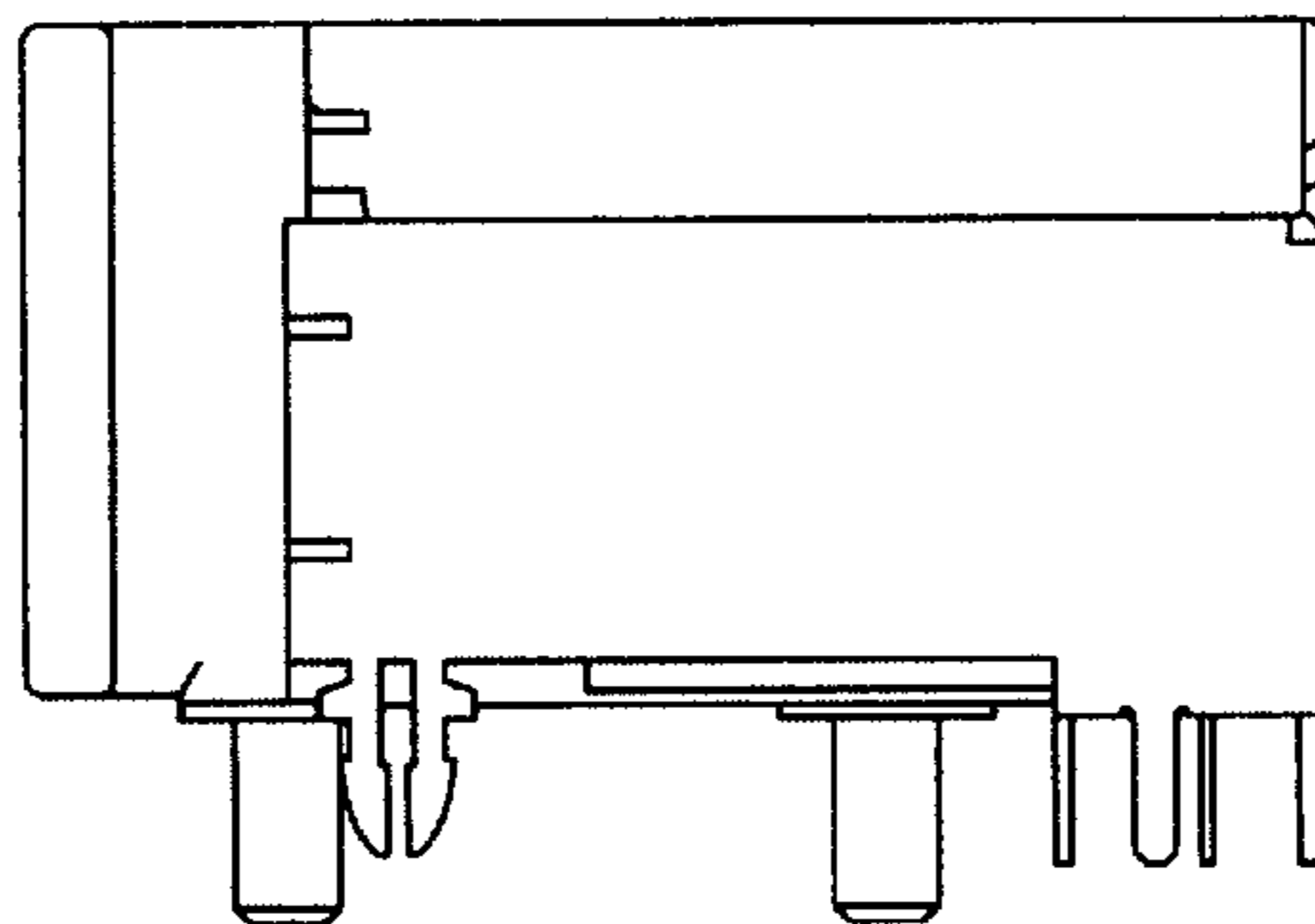


FIGURE 3

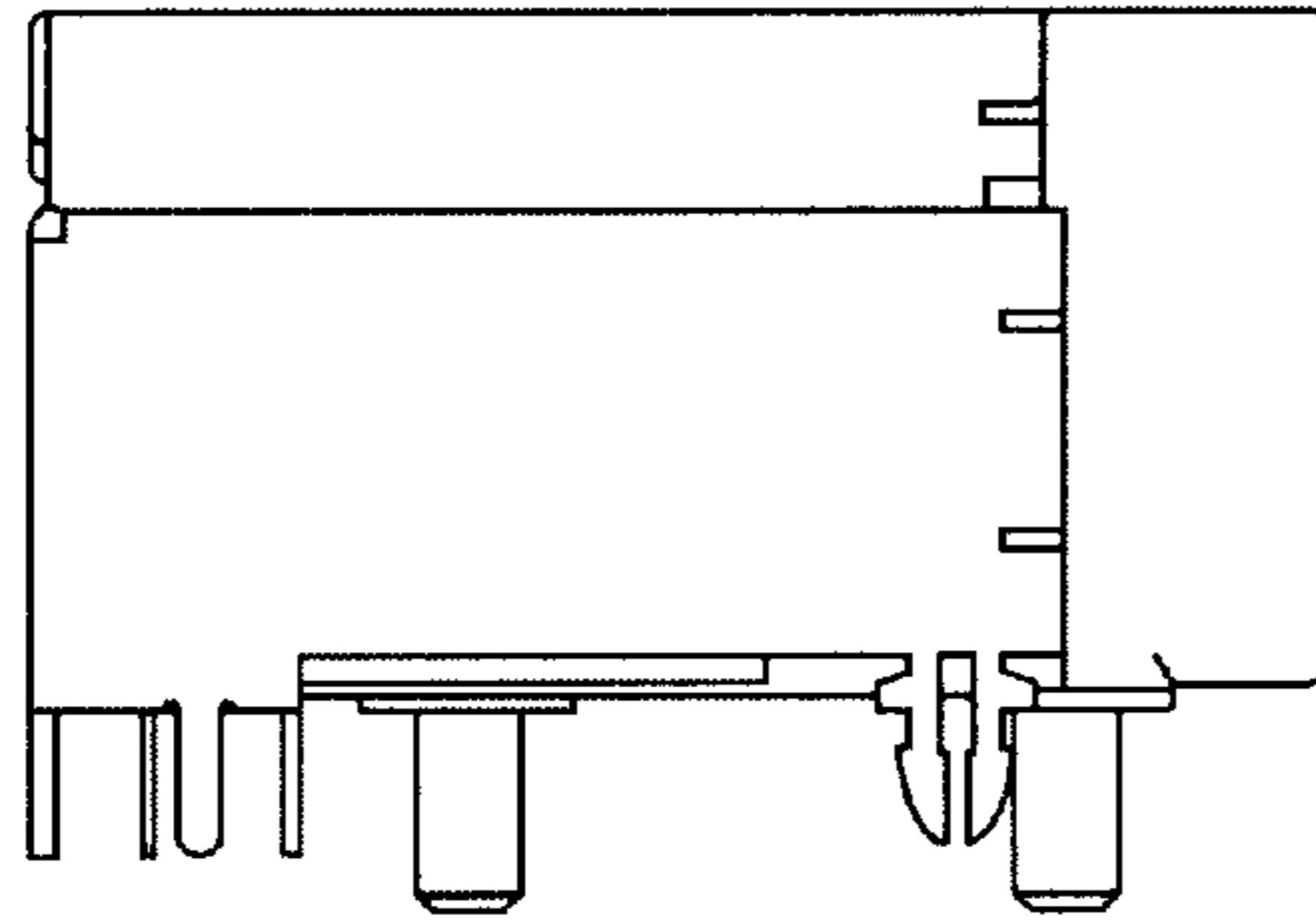


FIG. 4

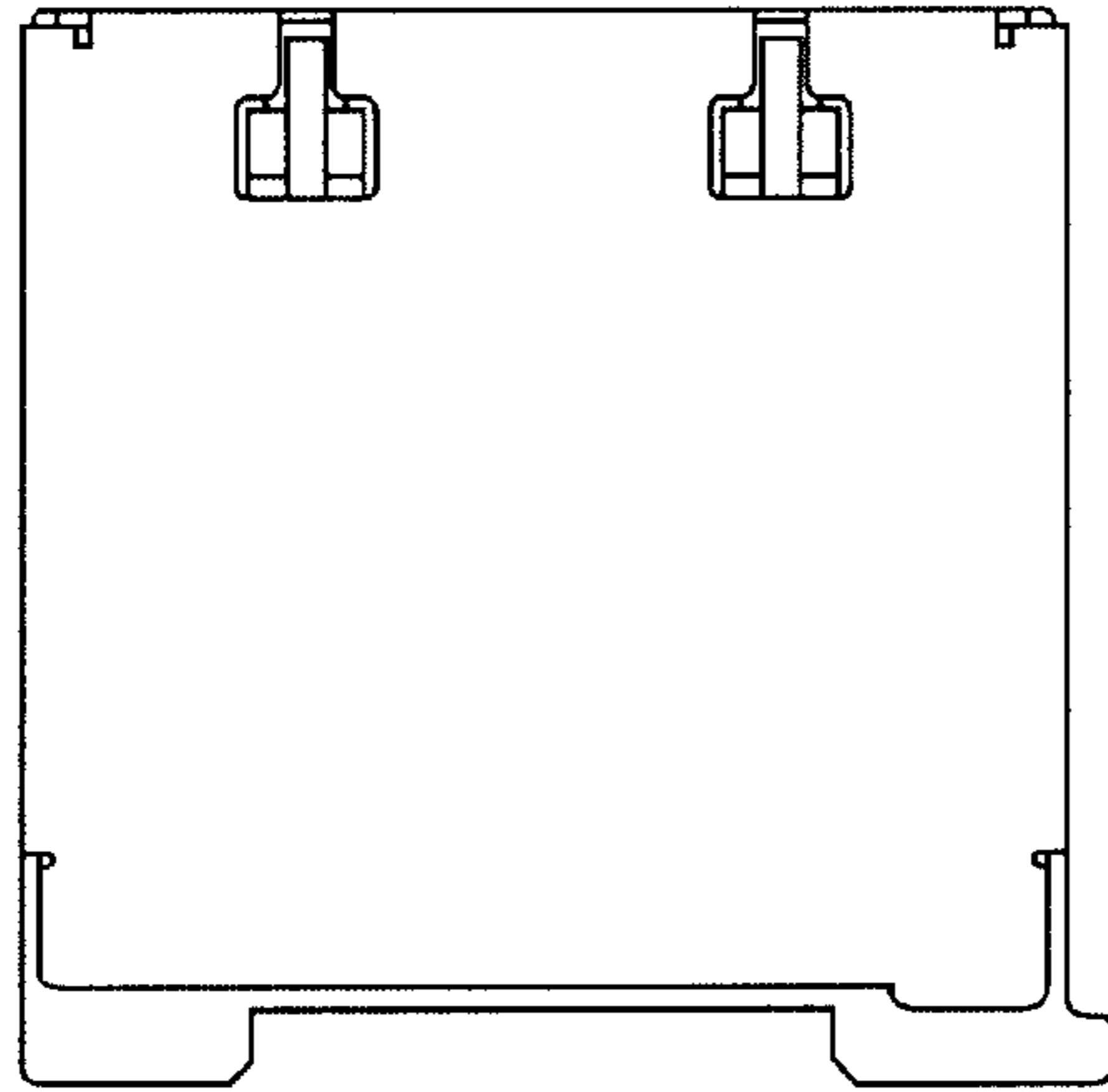


FIG. 5

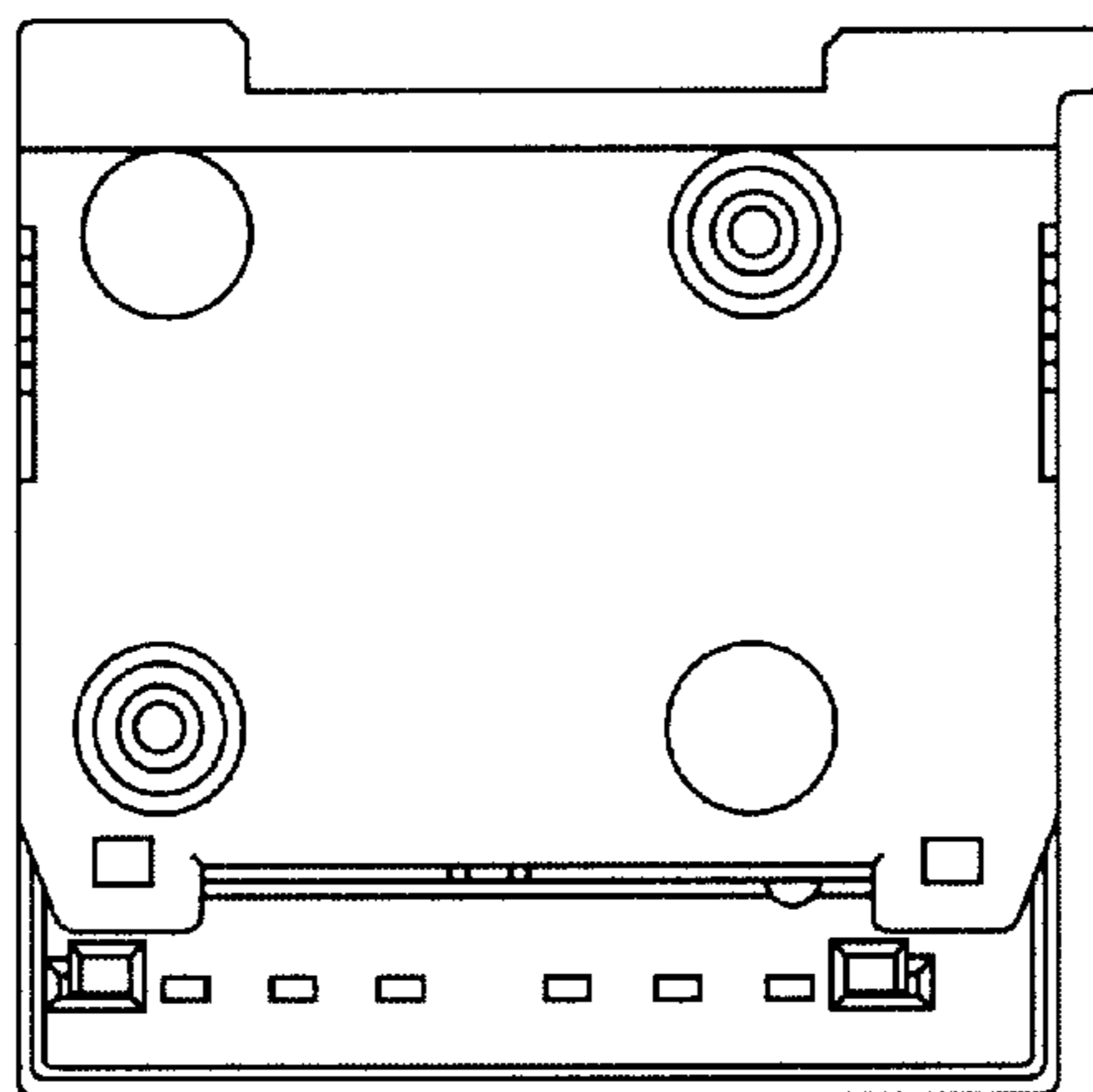


FIG. 6

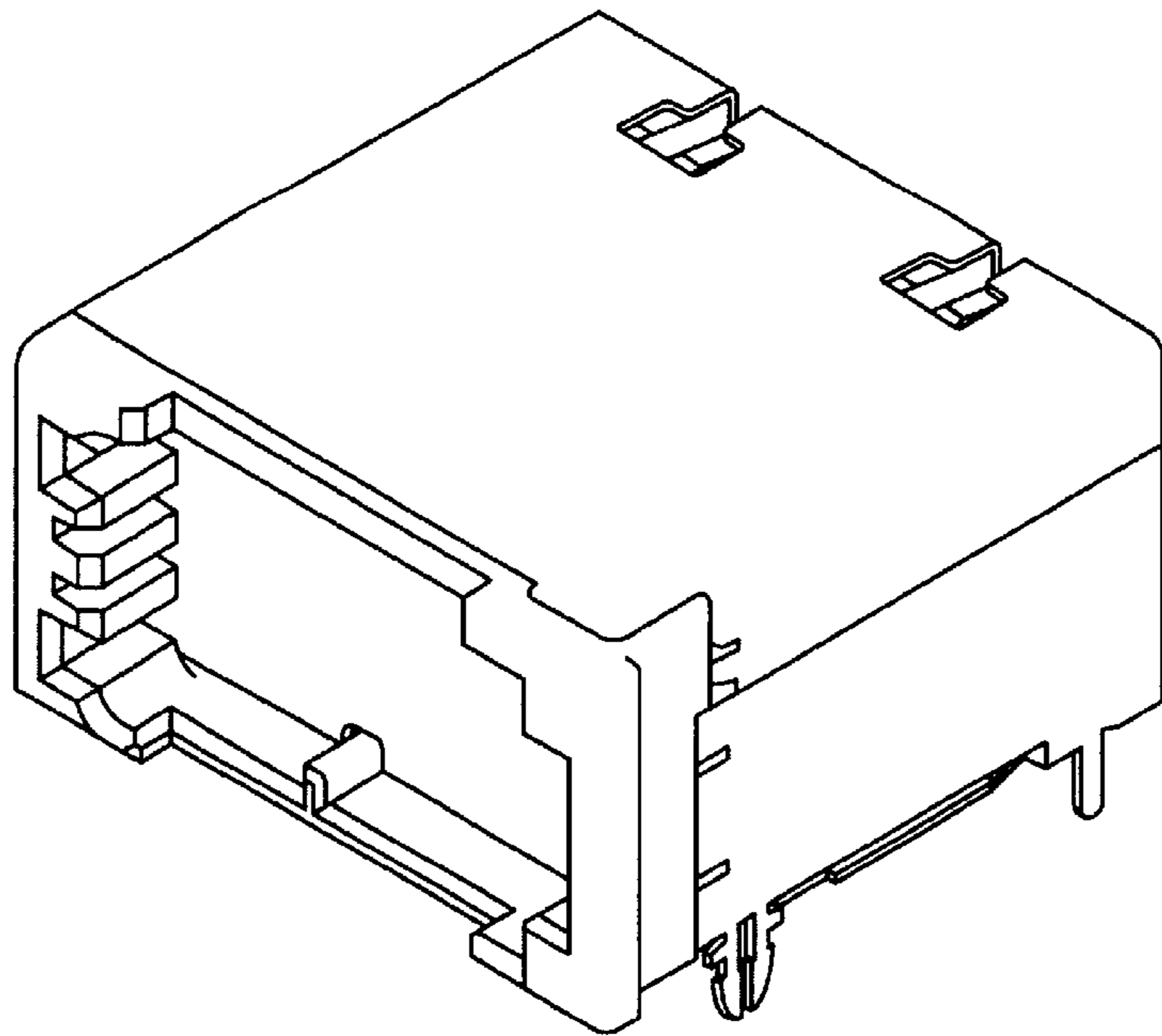


FIGURE 7

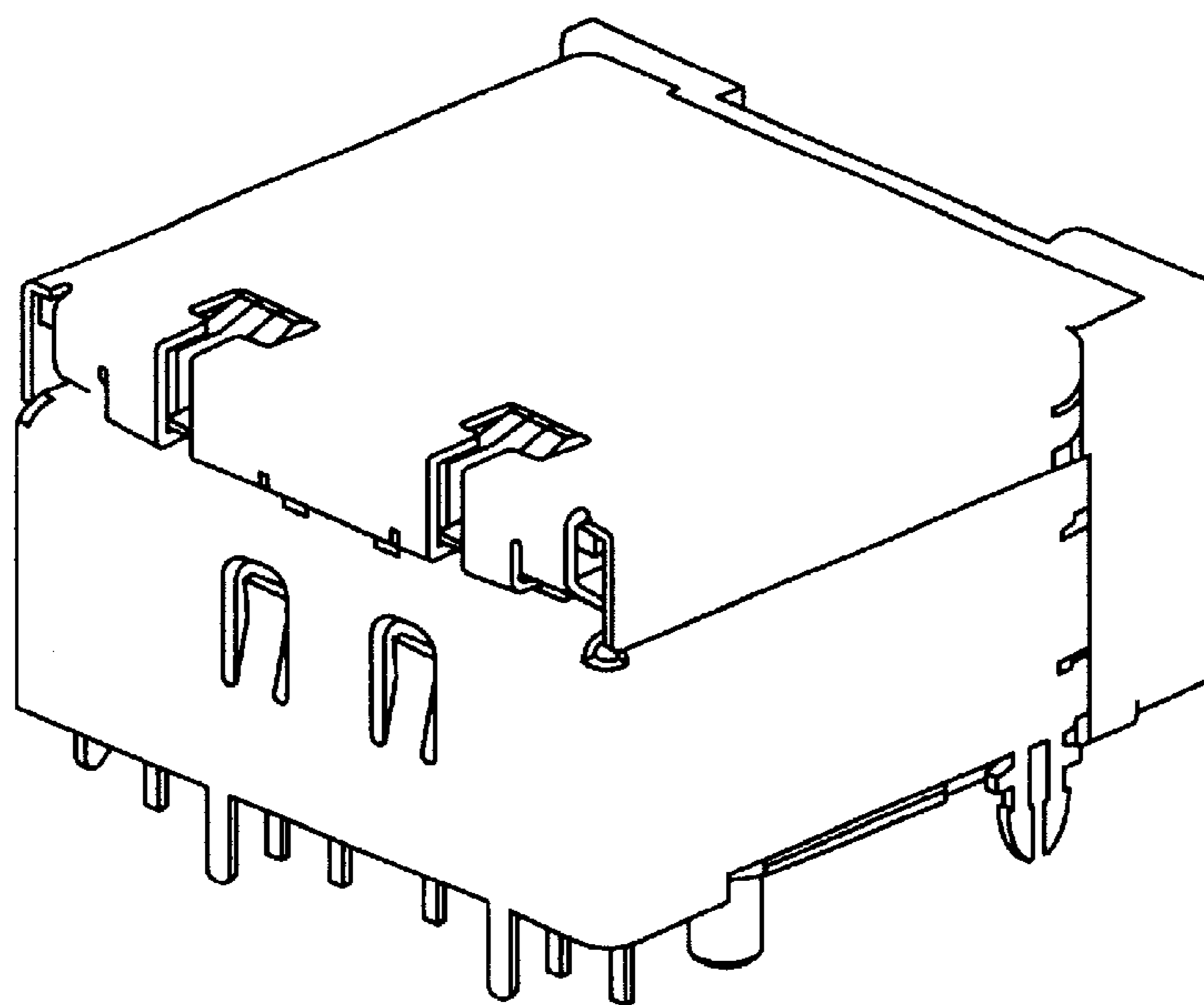


FIGURE 8

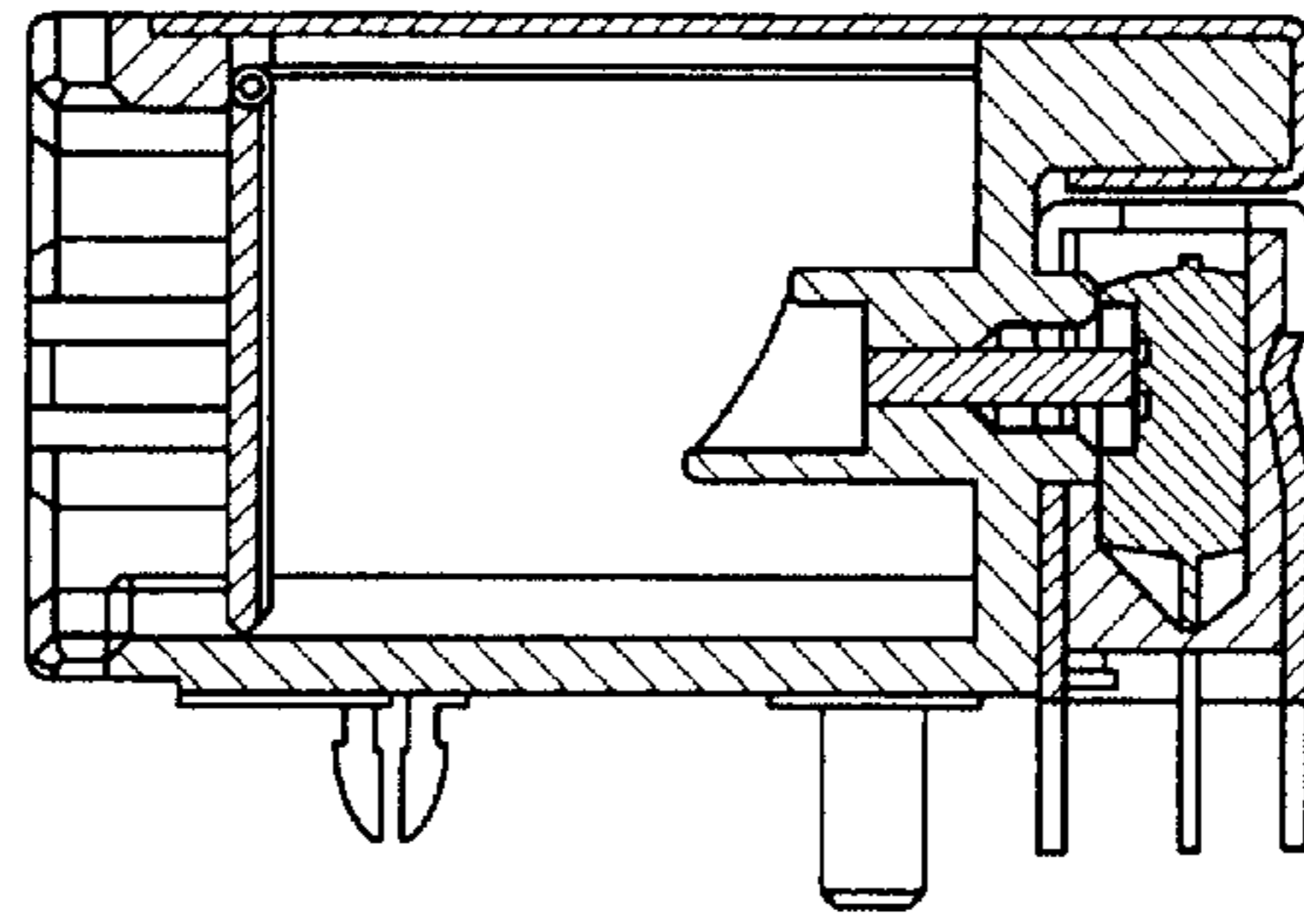


FIGURE 9

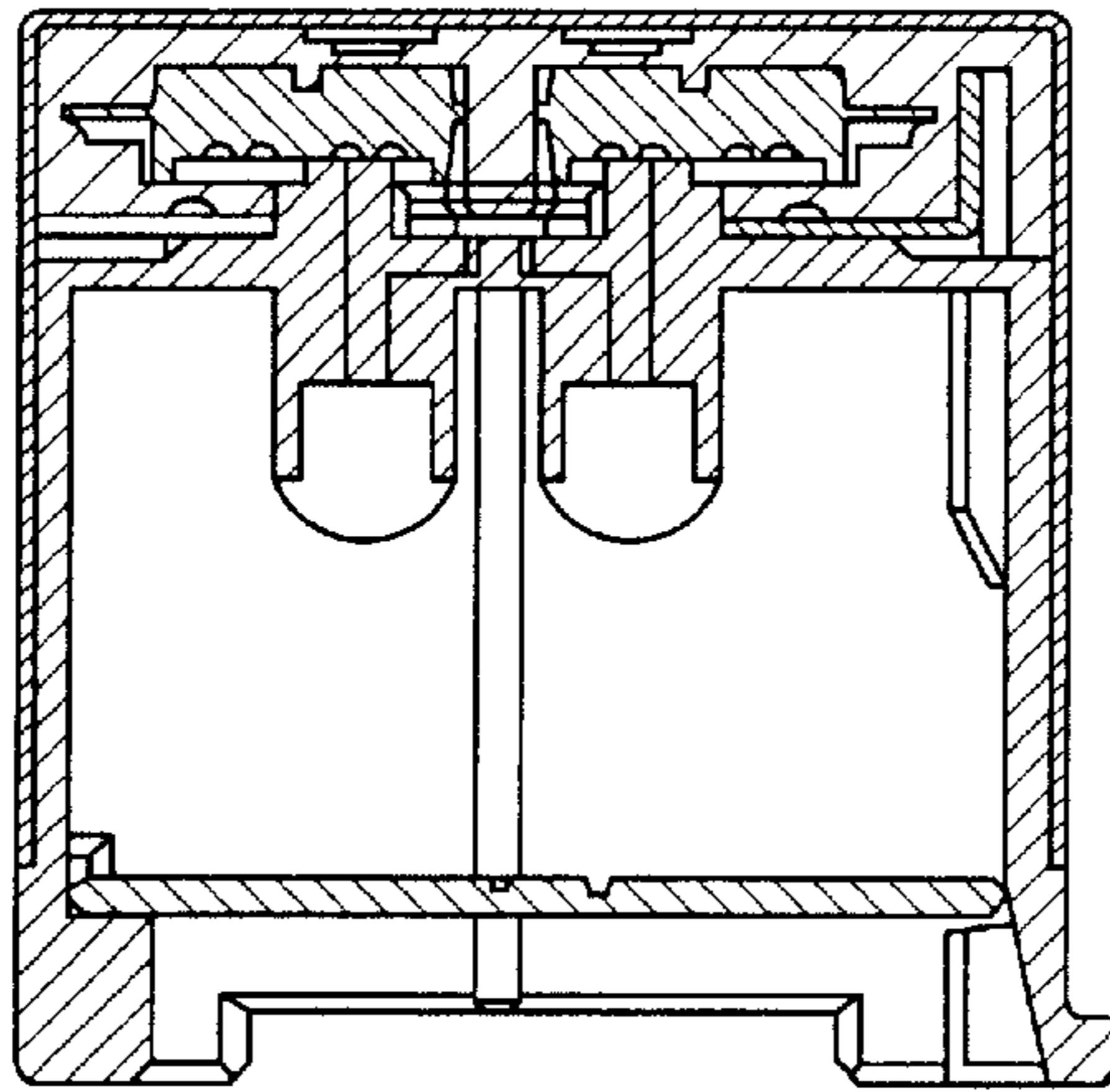


FIGURE 10

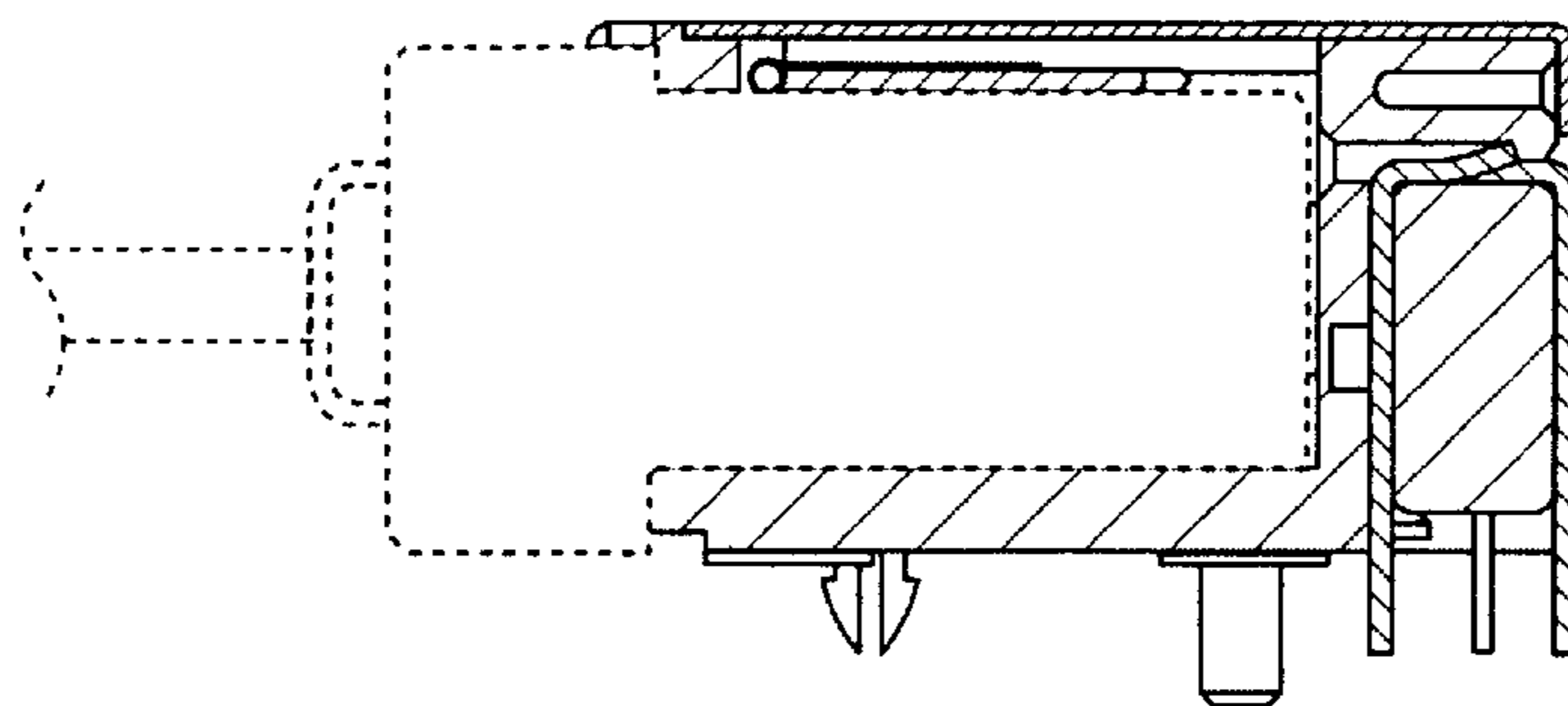


FIGURE 11

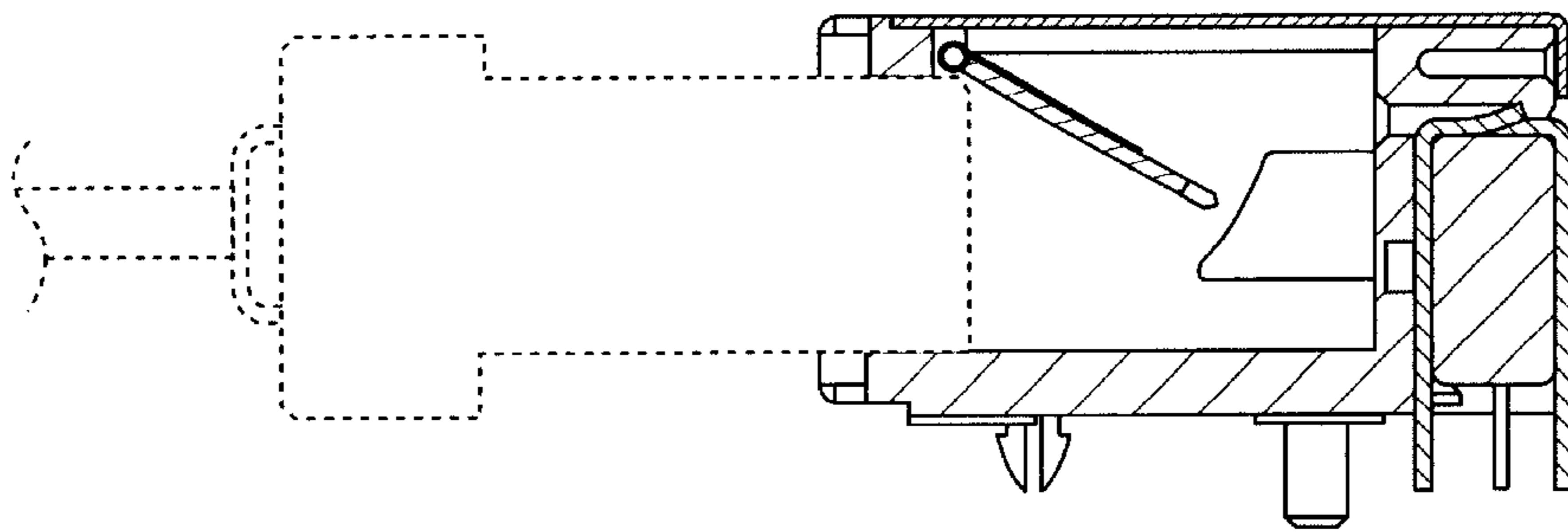


FIGURE 12