



US00D539740S

(12) **United States Design Patent**
Zhang et al.

(10) **Patent No.:** **US D539,740 S**

(45) **Date of Patent:** **** Apr. 3, 2007**

(54) **ELECTRICAL CONNECTOR**

(75) Inventors: **AnYi Zhang**, Kunsan (CN); **Zhi-Qiang Chen**, Kunsan (CN)

(73) Assignee: **Hon Hai Precision Ind. Co., Ltd.**,
Taipei Hsien (TW)

(**) Term: **14 Years**

(21) Appl. No.: **29/215,076**

(22) Filed: **Oct. 12, 2004**

(30) **Foreign Application Priority Data**

Aug. 27, 2004 (CN) 200430069636

(51) **LOC (8) Cl.** **13-03**

(52) **U.S. Cl.** **D13/133**

(58) **Field of Classification Search** D13/123,
D13/133, 146-147, 154, 184, 199; 439/79,
439/188, 278, 374, 527, 567, 607-610, 688-689,
439/894, 939

See application file for complete search history.

(56) **References Cited**

U.S. PATENT DOCUMENTS

5,288,248 A * 2/1994 Chen 439/609

6,109,966 A * 8/2000 Chiou 439/607
D435,015 S * 12/2000 Wang D13/133
D447,116 S * 8/2001 Zhu et al. D13/133
D464,318 S * 10/2002 Togashi D13/133
D494,137 S * 8/2004 Fang D13/133
D508,894 S * 8/2005 Zhao et al. D13/133

* cited by examiner

Primary Examiner—Daniel Bui

(74) *Attorney, Agent, or Firm*—Wei Te Chung

(57) **CLAIM**

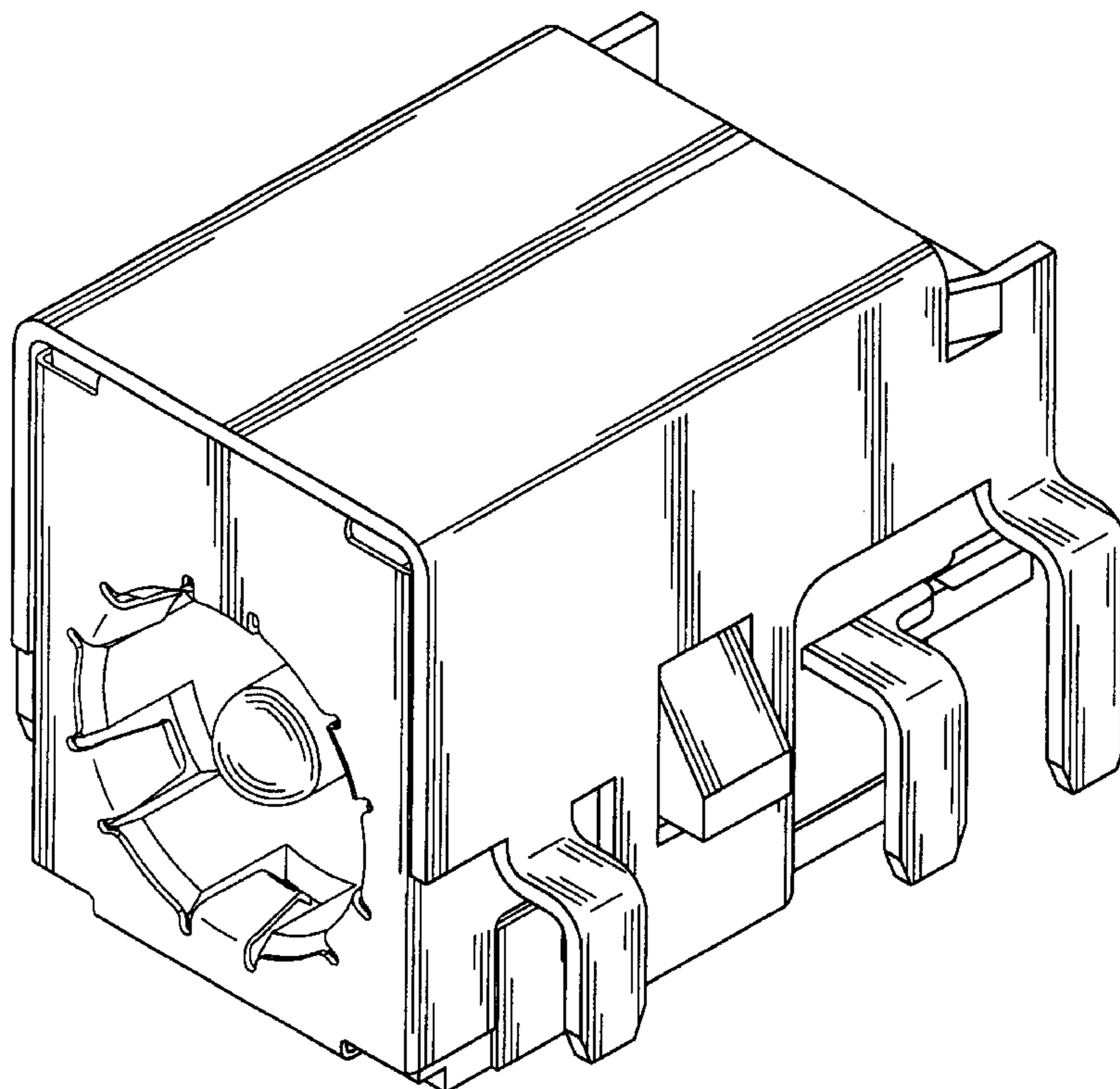
The ornamental design for an electrical connector, as shown and described.

DESCRIPTION

FIG. 1 is a front, top and right side perspective view of an electrical connector, showing our new design; FIG. 2 is a front elevational view thereof; FIG. 3 is a left side elevational view thereof; FIG. 4 is a right side elevational view thereof; FIG. 5 is a top plan view thereof; and, FIG. 6 is a bottom plan view thereof.

The broken line showing of the environment is for illustrative purpose only and forms no part of the claimed design.

1 Claim, 6 Drawing Sheets



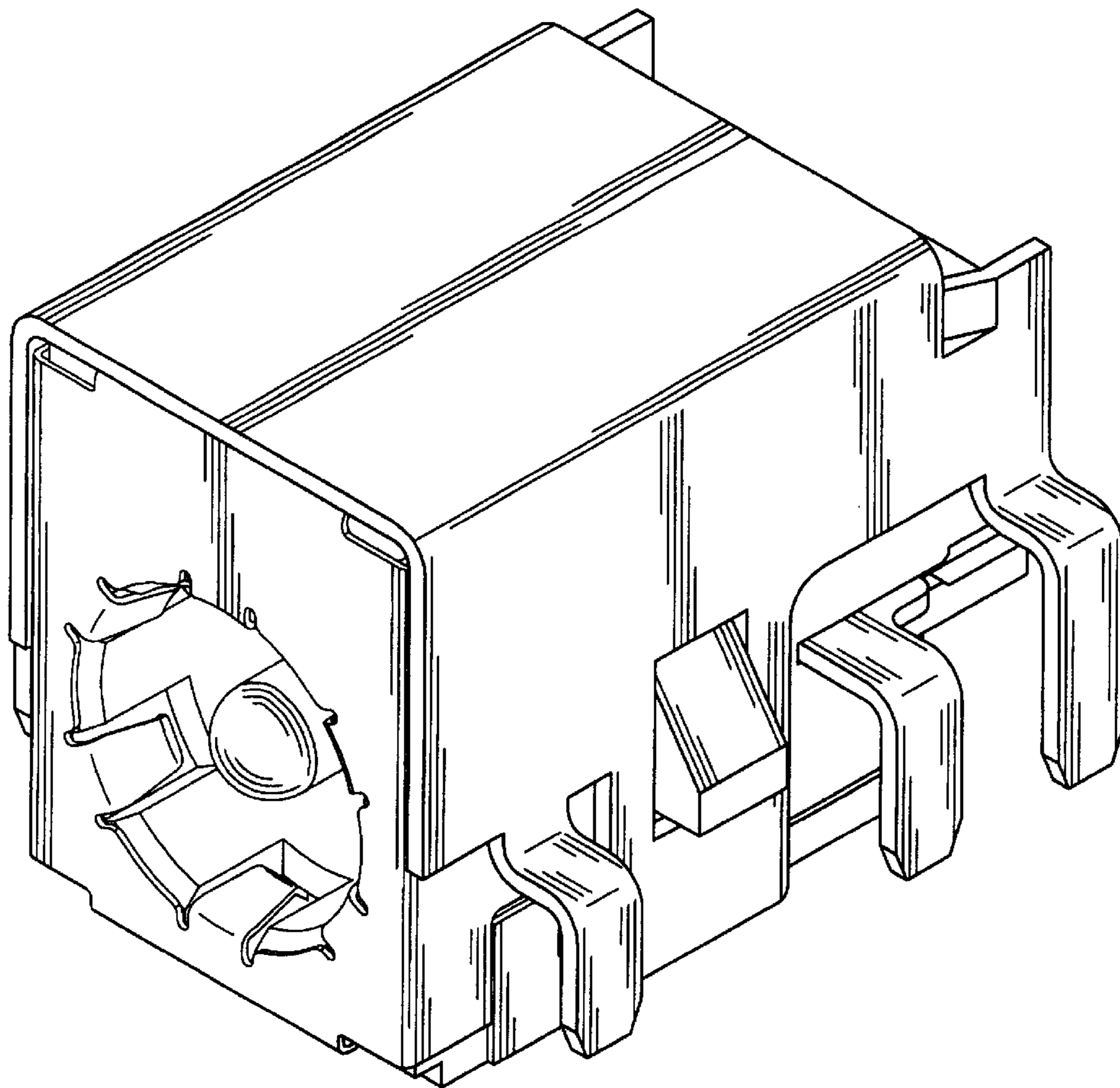


FIG. 1

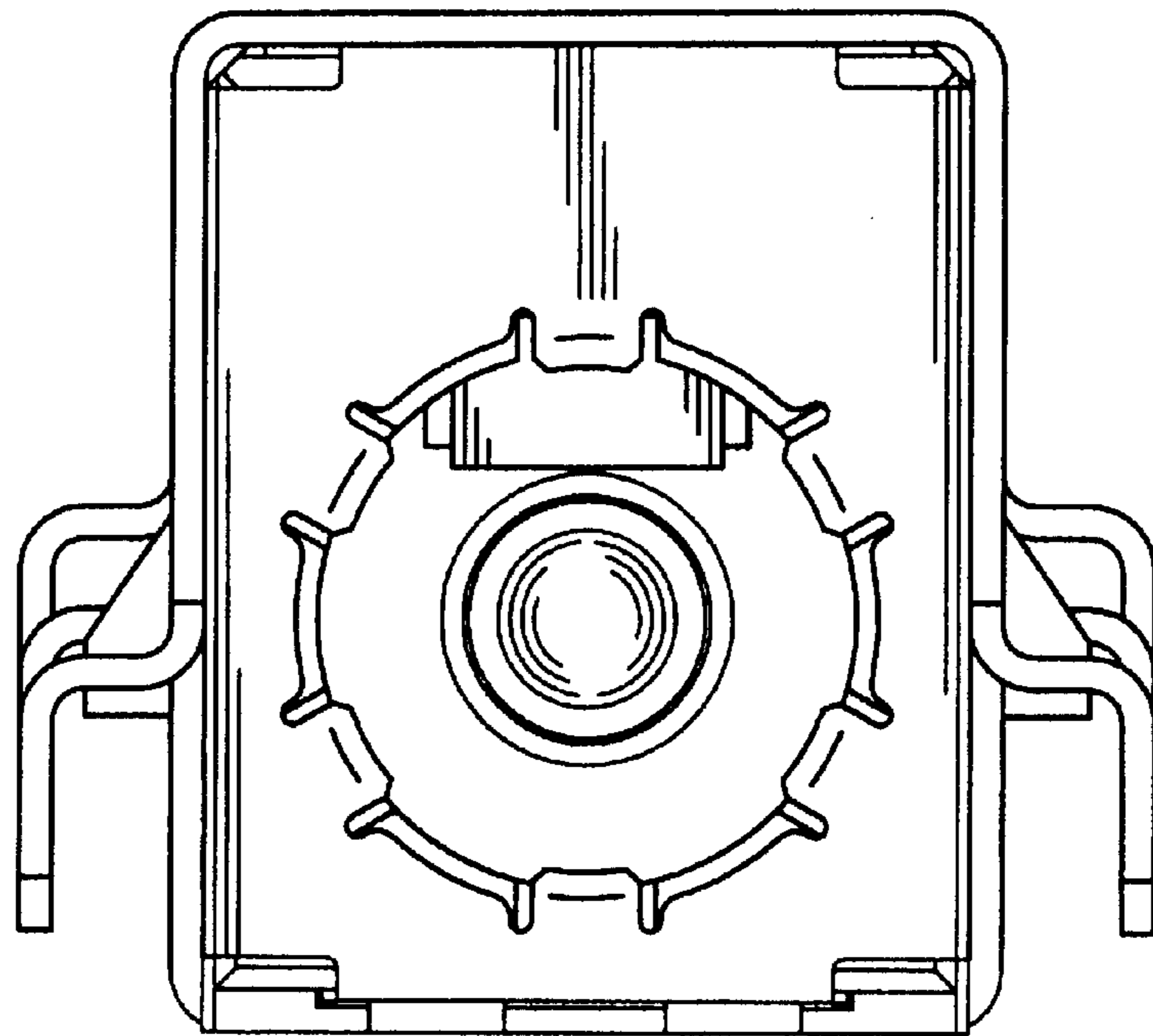


FIG. 2

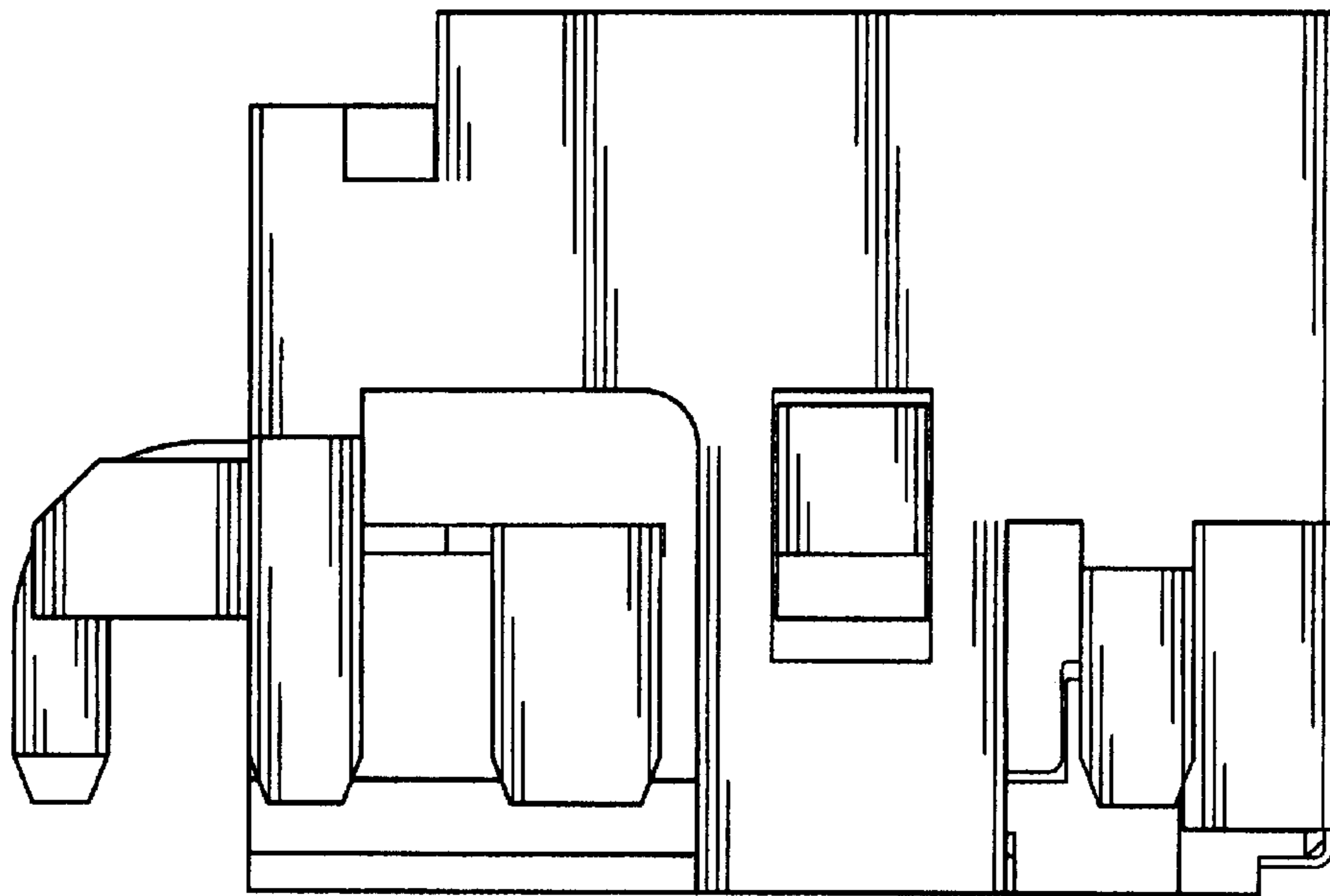


FIG. 3

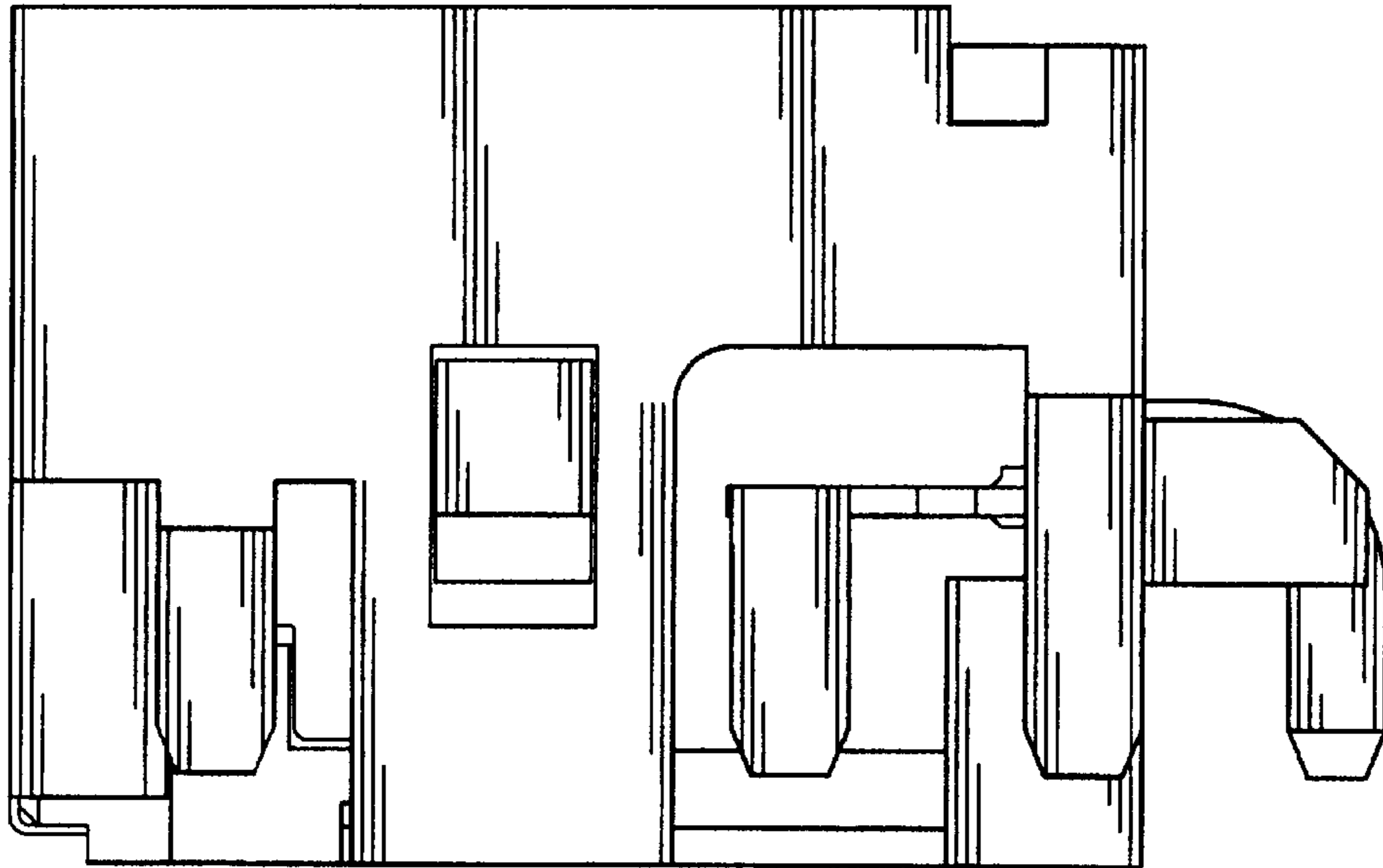


FIG. 4

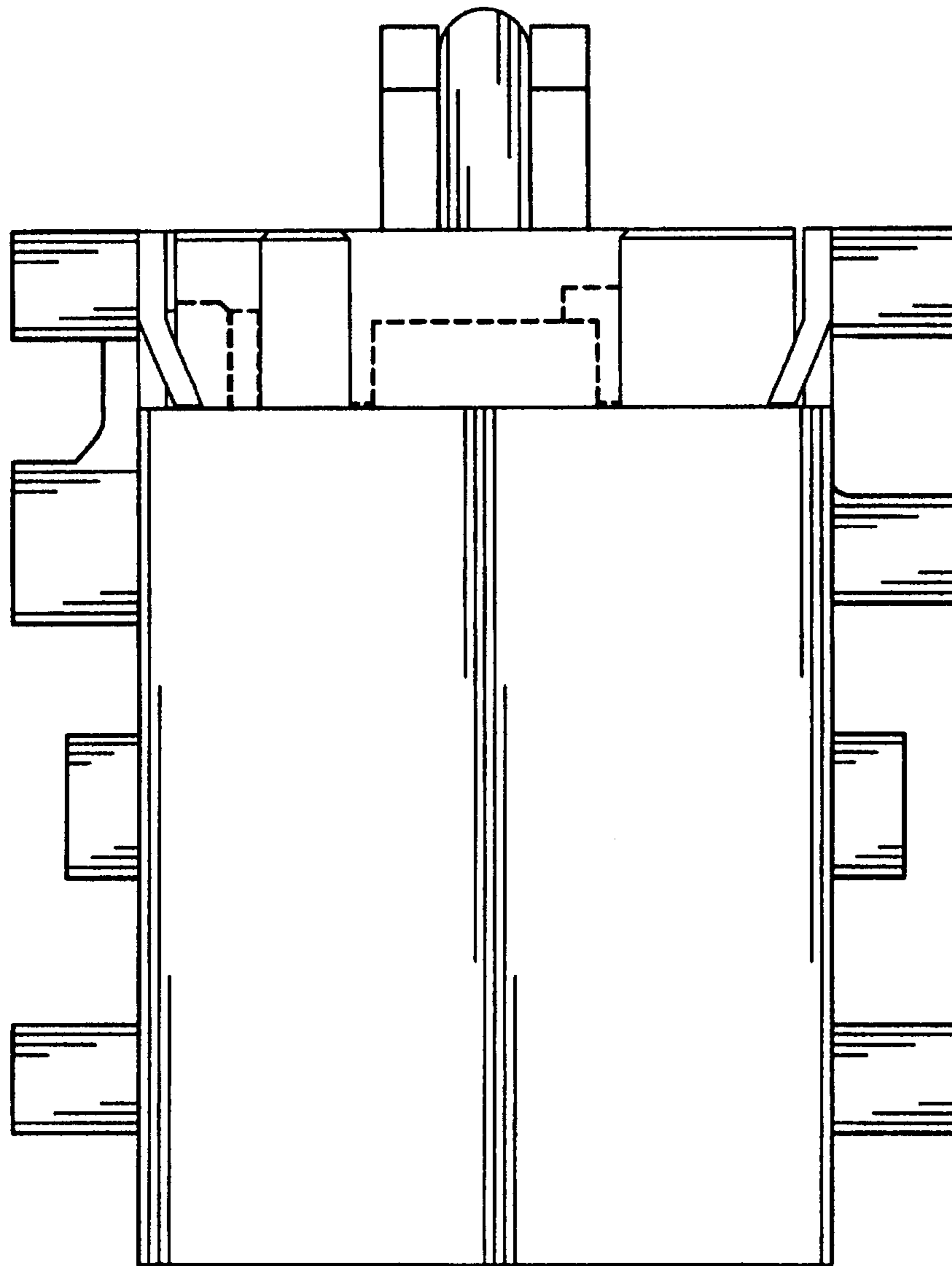


FIG. 5

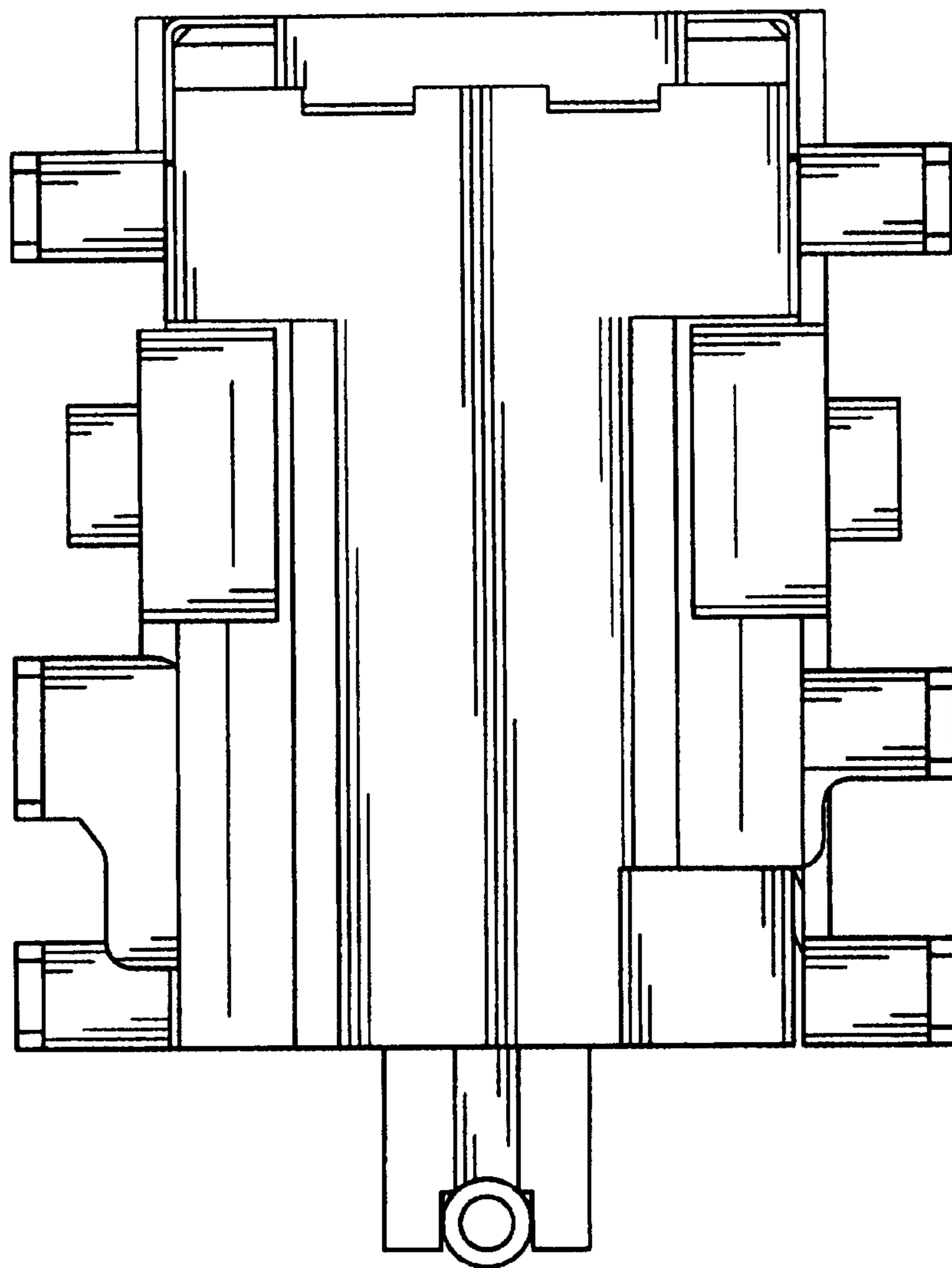


FIG. 6