



US00D539738S

(12) **United States Design Patent**
Disbennett

(10) **Patent No.:** **US D539,738 S**

(45) **Date of Patent:** **** Apr. 3, 2007**

(54) **CAPACITOR BRACKET**

(75) Inventor: **Scott Disbennett**, Deltona, FL (US)

(73) Assignee: **Metra Electronics Corp.**, Holly Hill, FL (US)

(**) Term: **14 Years**

(21) Appl. No.: **29/222,522**

(22) Filed: **Feb. 2, 2005**

(51) **LOC (8) Cl.** **13-02**

(52) **U.S. Cl.** **D13/118**

(58) **Field of Classification Search** D13/118,
D13/101, 110, 184, 199; 310/68 R; 361/271,
361/272, 329, 517, 518, 521, 535
See application file for complete search history.

(56) **References Cited**

U.S. PATENT DOCUMENTS

3,509,427	A	*	4/1970	Ruscetta	361/519
D306,431	S	*	3/1990	Venturini et al.	D13/125
5,420,748	A	*	5/1995	Ryu	361/537
5,673,168	A	*	9/1997	Efford et al.	361/518
D392,253	S	*	3/1998	Kurihara et al.	D13/125
5,872,410	A	*	2/1999	Sudoff	310/68 R
6,057,615	A	*	5/2000	Long	310/68 R
6,064,563	A	*	5/2000	Yamada et al.	361/521

OTHER PUBLICATIONS

2003 Tsunami Premium Installation Accessories Catalog, pp. cover, 12, published Feb. 2003.

2004 Tsunami Premium Installation Accessories Catalog, pp. cover, 15-16, published Feb. 2004.

2003 Raptor Installation Accessories Catalog, pp. cover, 4-5, published Feb. 2003.

* cited by examiner

Primary Examiner—Prabhakar Deshmukh

Assistant Examiner—Derrick Holland

(74) *Attorney, Agent, or Firm*—John Wiley Horton

(57) **CLAIM**

The ornamental design for a capacitor bracket, as shown and described.

DESCRIPTION

FIG. 1 is a left front perspective view of a capacitor bracket showing my new design;

FIG. 2 is a left side elevation of FIG. 1. The right side elevation is identical;

FIG. 3 is a top plan view of FIG. 1;

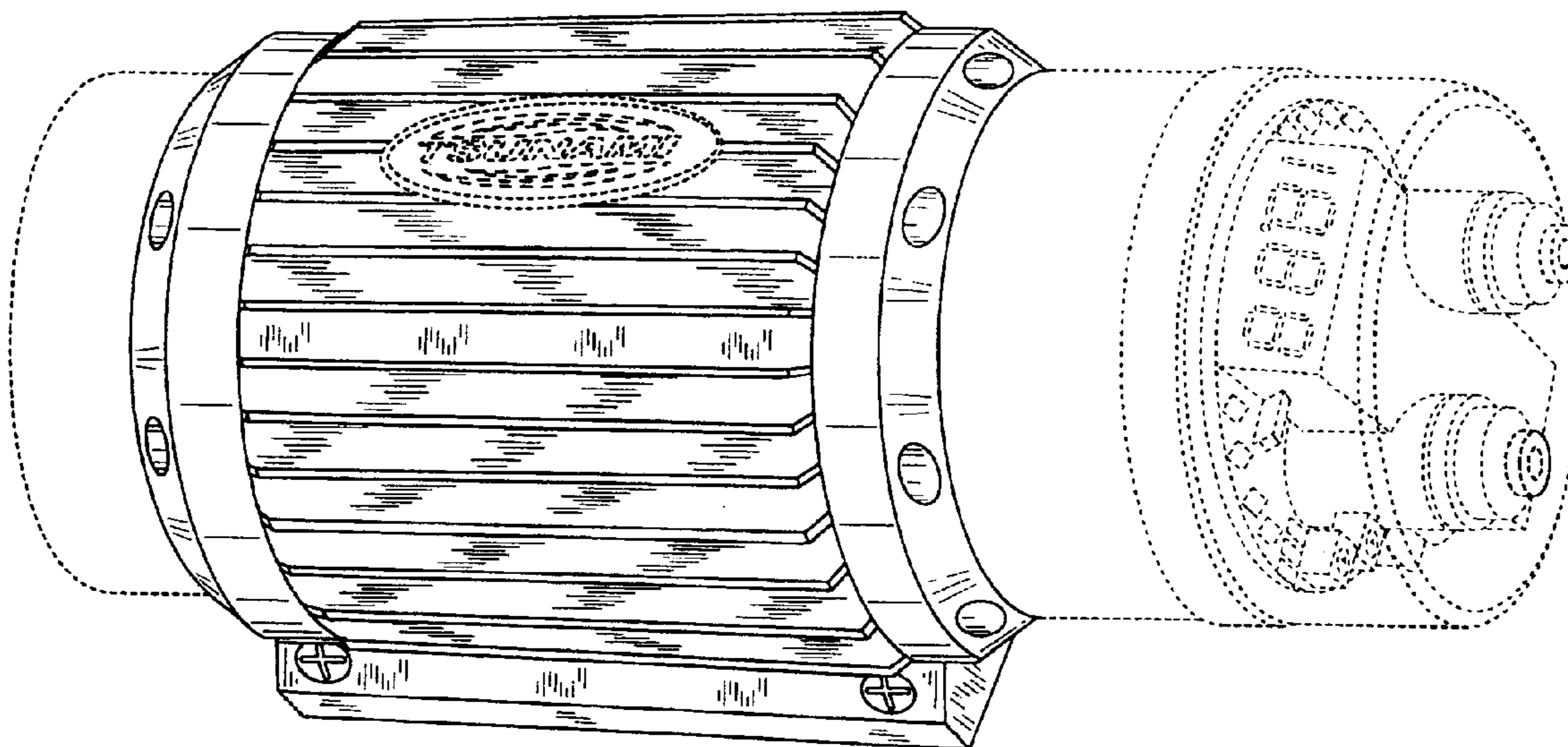
FIG. 4 is a bottom plan view of FIG. 1;

FIG. 5 is a rear elevation view; and,

FIG. 6 is a front elevation view.

The broken lines showing are for illustrative purposes and form no part of the claimed design.

1 Claim, 6 Drawing Sheets



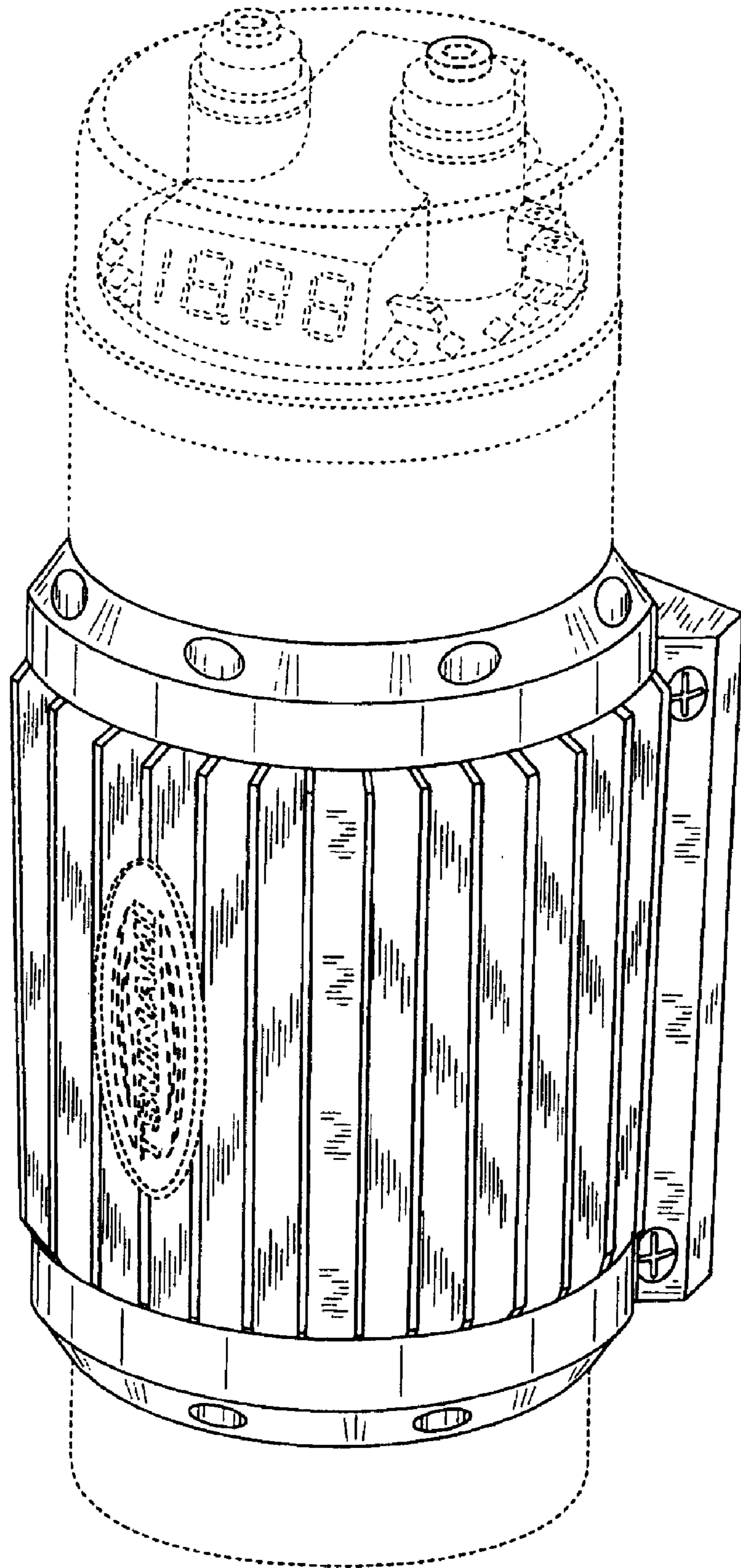


FIG. 1

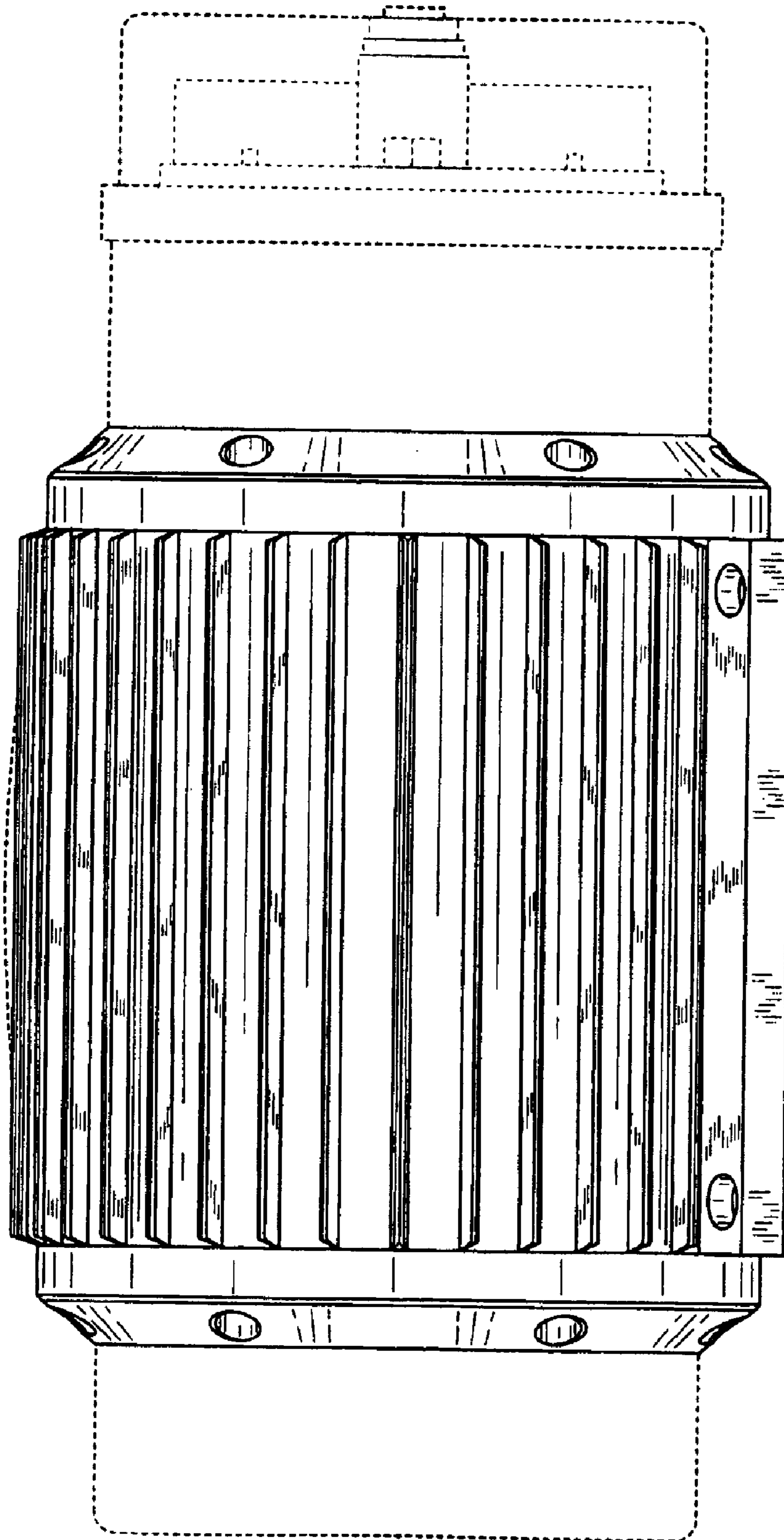


FIG. 2

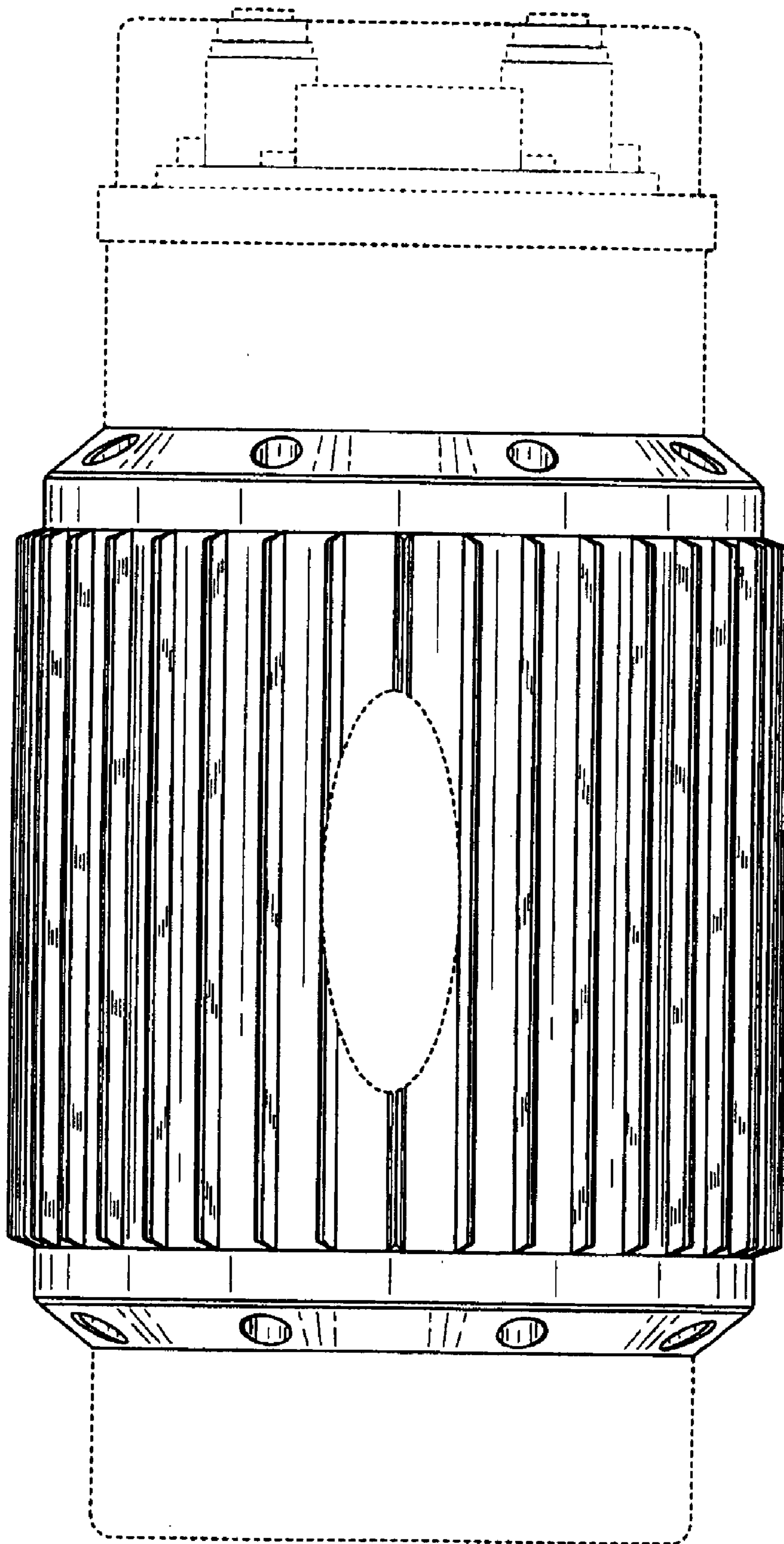


FIG. 3

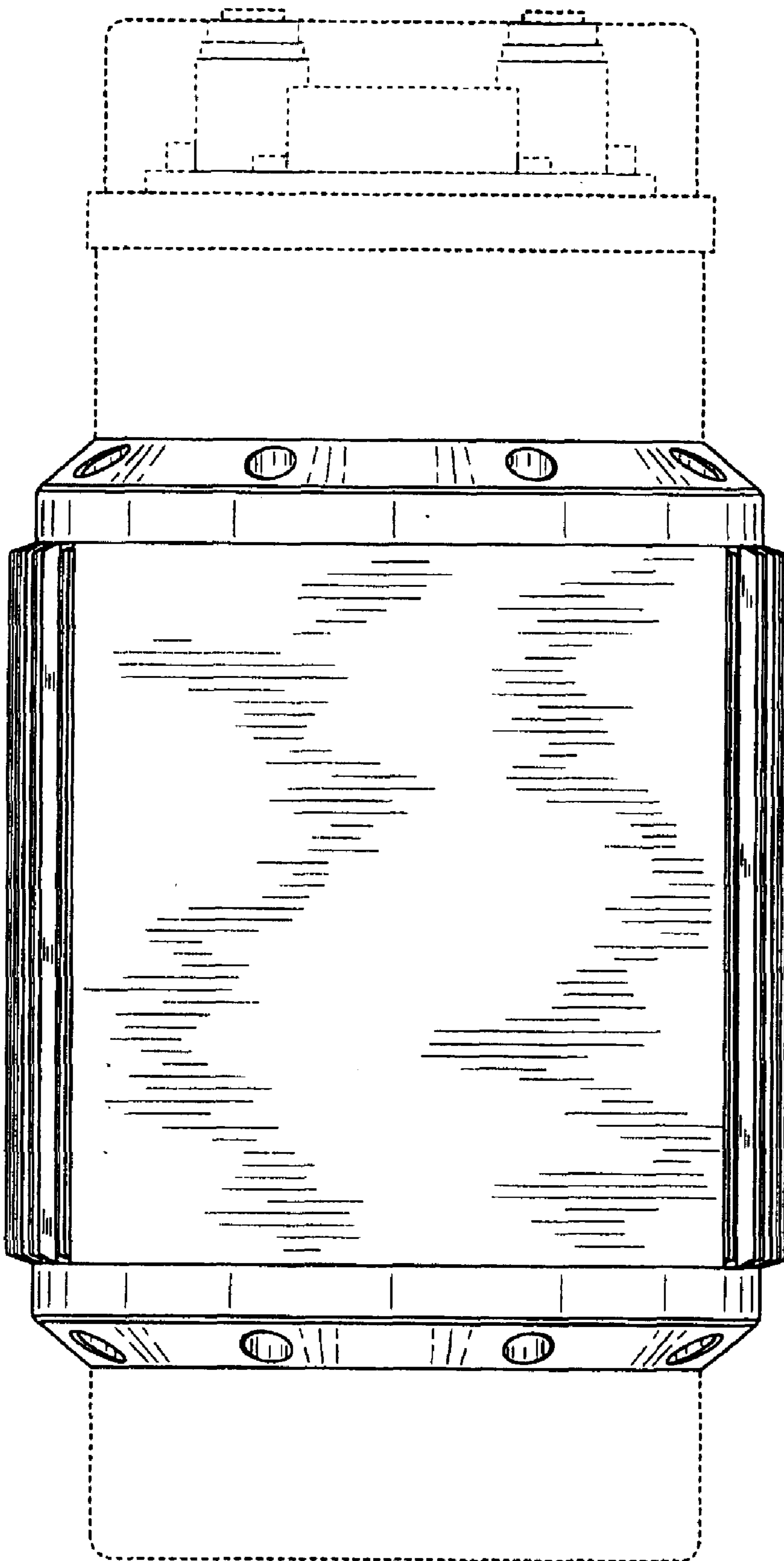


FIG. 4

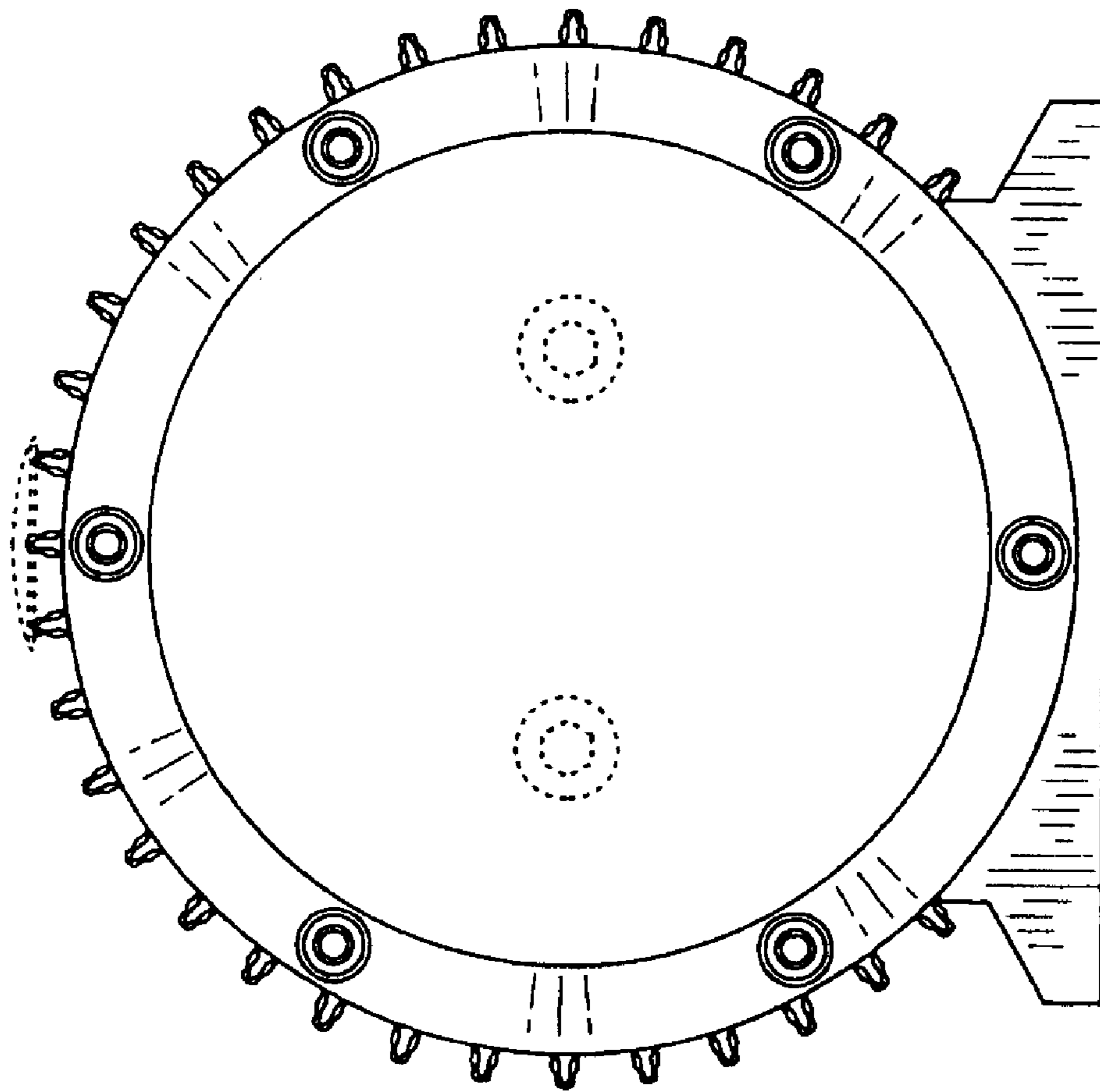


FIG. 5

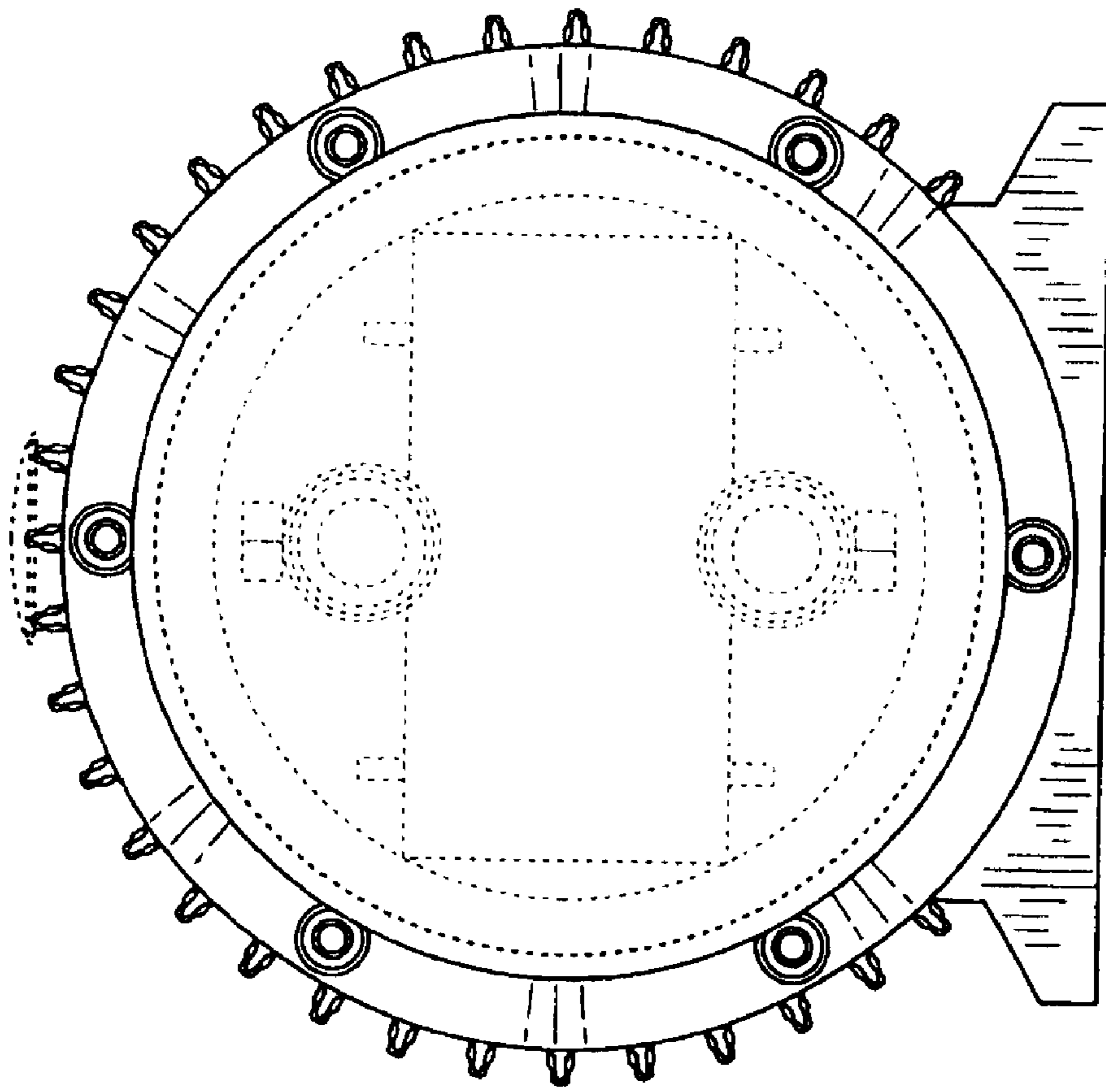


FIG. 6