



US00D539734S

(12) **United States Design Patent**  
**Brady et al.**

(10) **Patent No.:** **US D539,734 S**

(45) **Date of Patent:** **\*\* Apr. 3, 2007**

(54) **FUEL CELL SYSTEM PACKAGE**

(75) Inventors: **Robert Brady**, Sarasota, FL (US);  
**Steven Douglas MacFarlane**,  
Bradenton, FL (US)

(73) Assignee: **UltraCell Corporation**, Livermore, CA  
(US)

(\*\*) Term: **14 Years**

(21) Appl. No.: **29/229,225**

(22) Filed: **May 2, 2005**

(51) **LOC (8) Cl.** ..... **13-02**

(52) **U.S. Cl.** ..... **D13/110**

(58) **Field of Classification Search** ..... D13/110,  
D13/101, 103, 114, 184, 199; 261/29; 429/12,  
429/20, 30, 34-39

See application file for complete search history.

(56) **References Cited**

U.S. PATENT DOCUMENTS

D351,337 S	*	10/1994	Bonnema et al.	.....	D9/690
5,962,155 A	*	10/1999	Kuranaka et al.	.....	429/20
D432,495 S	*	10/2000	Sugita et al.	.....	D13/103
6,268,077 B1	*	7/2001	Kelley et al.	.....	429/33
6,322,920 B1	*	11/2001	Tomson	.....	429/34
D462,050 S	*	8/2002	Smith et al.	.....	D13/101
2002/0197522 A1	*	12/2002	Lawrence et al.	.....	429/34
2004/0013927 A1	*	1/2004	Lawrence et al.	.....	429/34

\* cited by examiner

*Primary Examiner*—Prabhakar Deshmukh

*Assistant Examiner*—Derrick Holland

(74) *Attorney, Agent, or Firm*—Beyer Weaver & Thomas,  
LLP

(57) **CLAIM**

We claim the ornamental design for a fuel cell system package, as shown and described.

**DESCRIPTION**

FIG. 1 is an upper right front perspective view of a fuel cell system package designed according to the invention.

FIG. 2 is an upper right front perspective view of a fuel cell system package of FIG. 1, shown with the fuel cartridge component detached.

FIG. 3 is a front elevational view of the fuel cell system package of FIG. 1.

FIG. 4 is a left side elevational view of the fuel cell system package of FIG. 1.

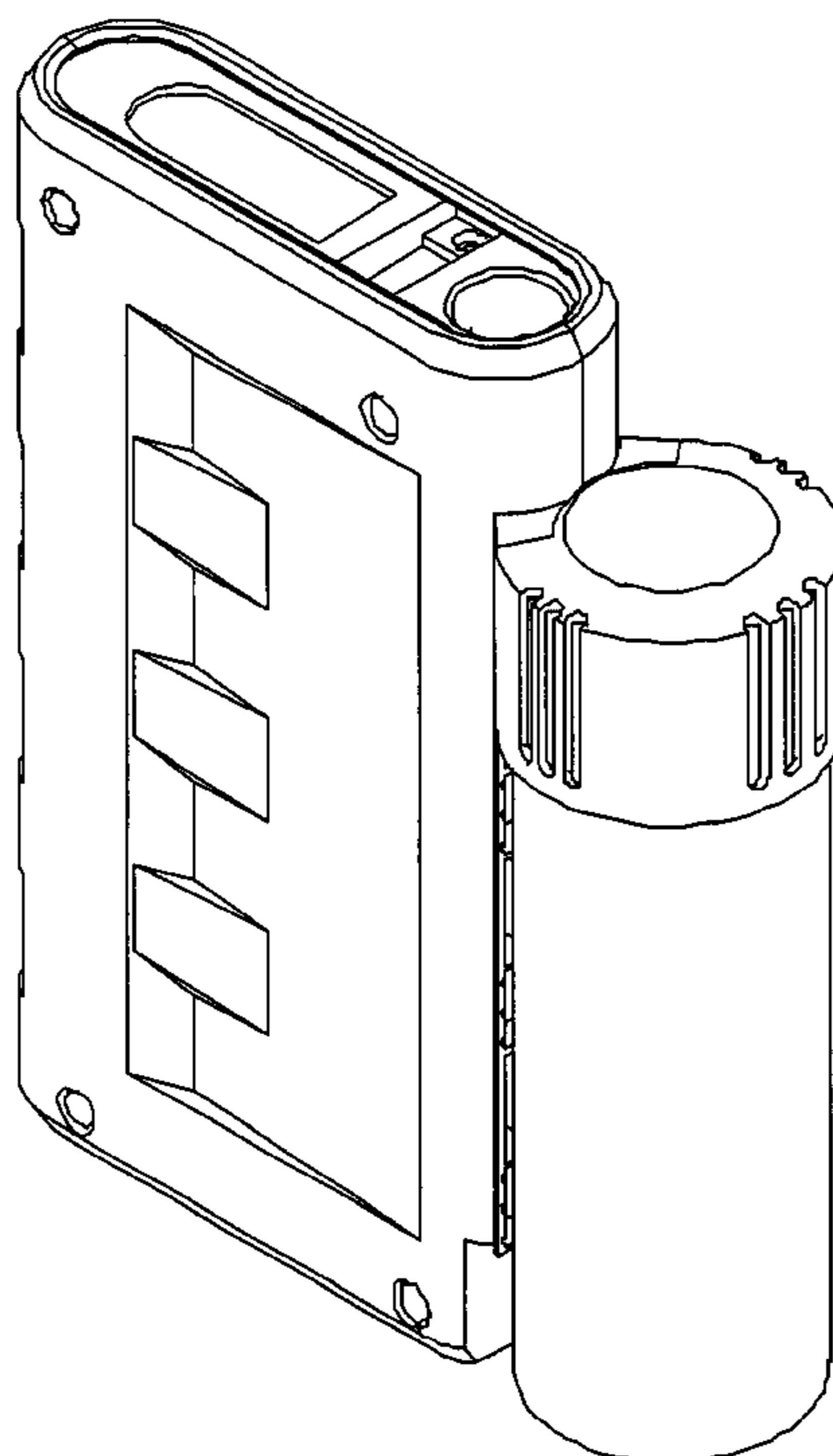
FIG. 5 is a rear elevational view of the fuel cell system package of FIG. 1.

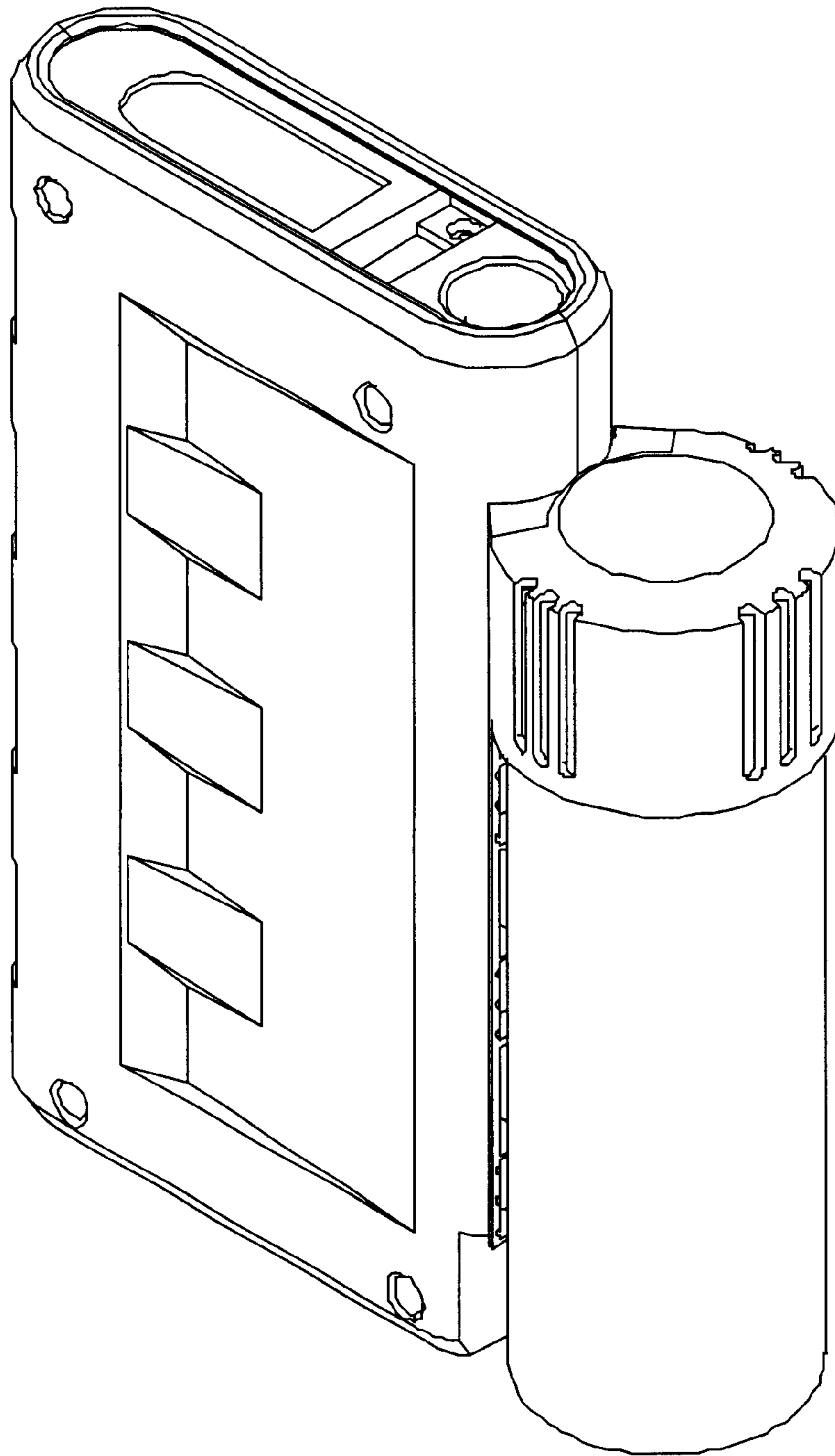
FIG. 6 is a right side elevational view of the fuel cell system package of FIG. 1.

FIG. 7 is a top plan view of the fuel cell system package of FIG. 1; and,

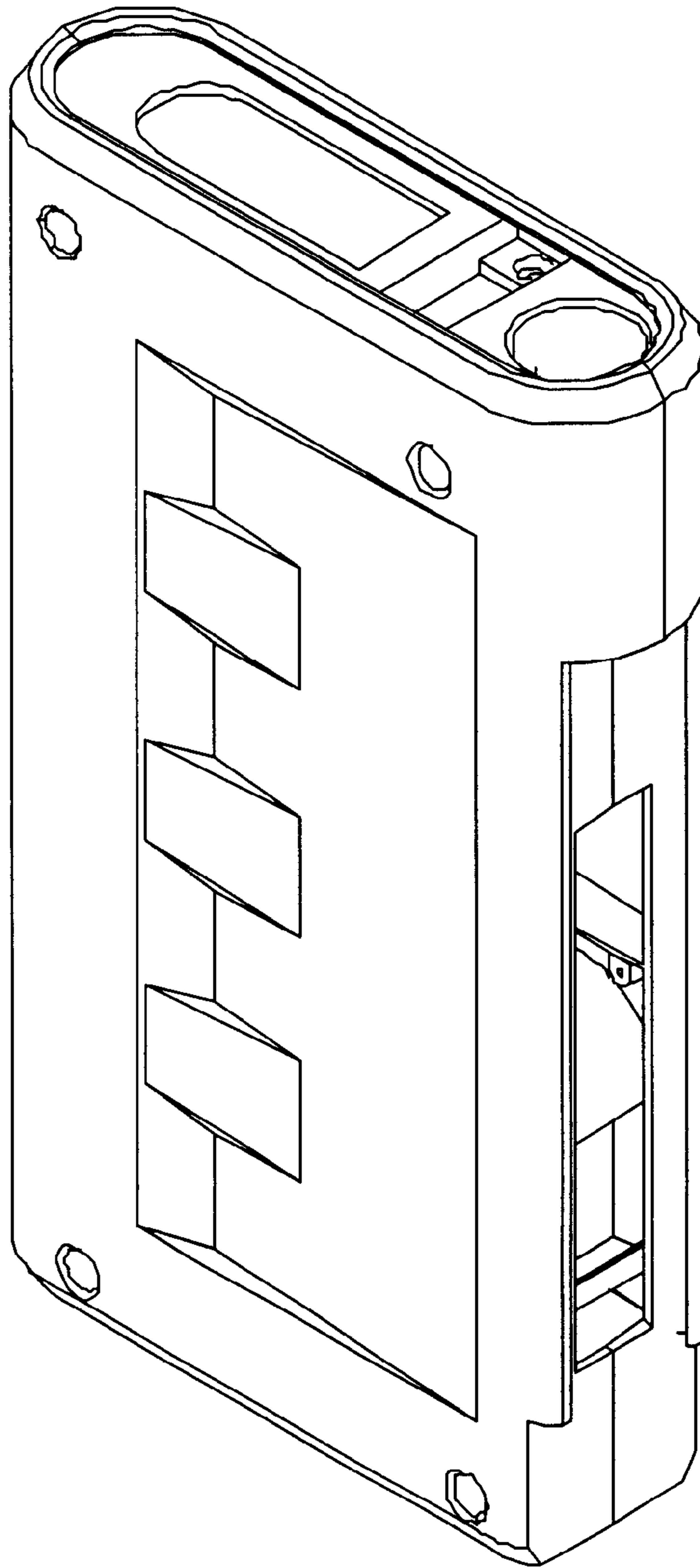
FIG. 8 is a bottom plan view of the fuel cell system package of FIG. 1.

**1 Claim, 8 Drawing Sheets**

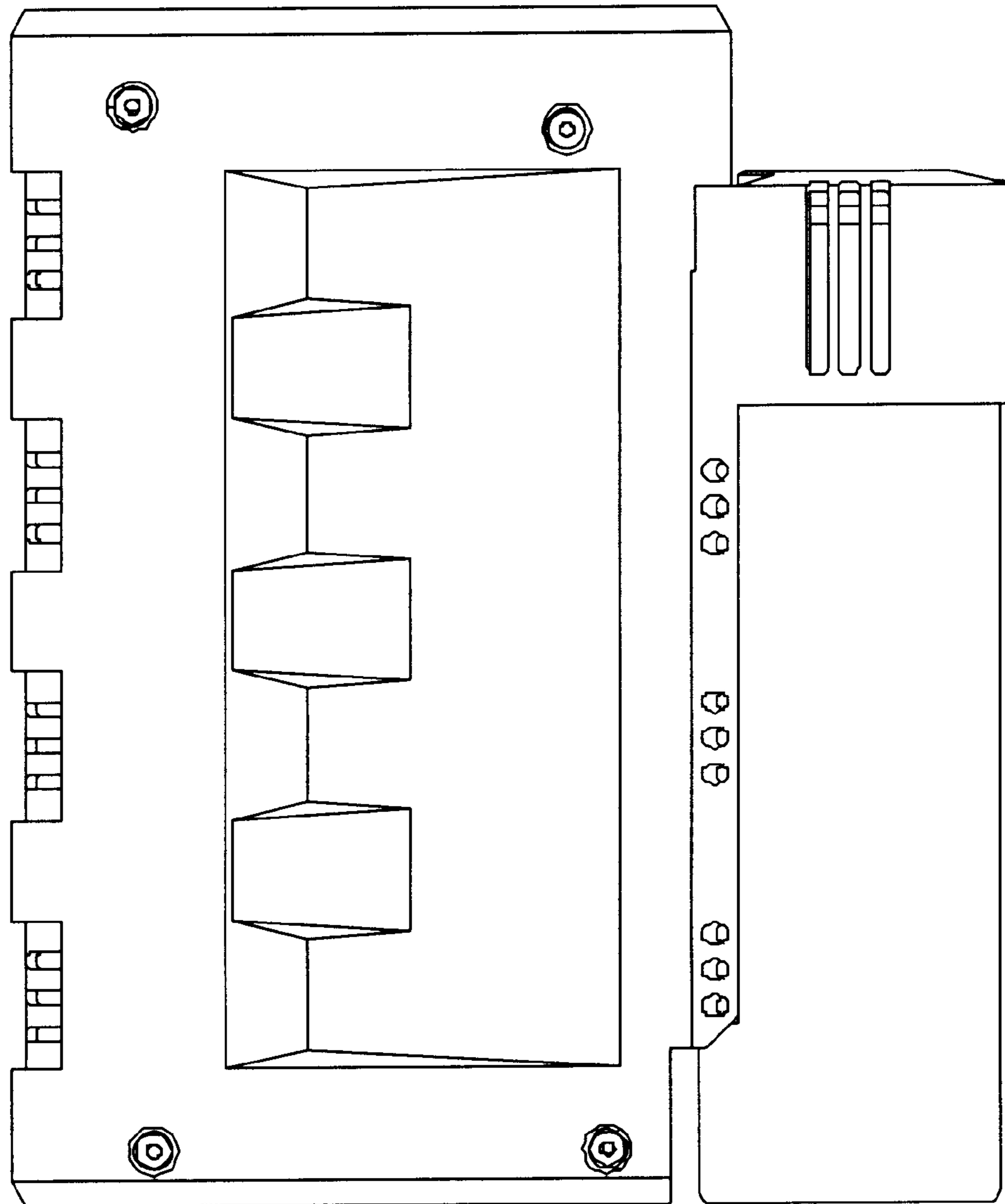




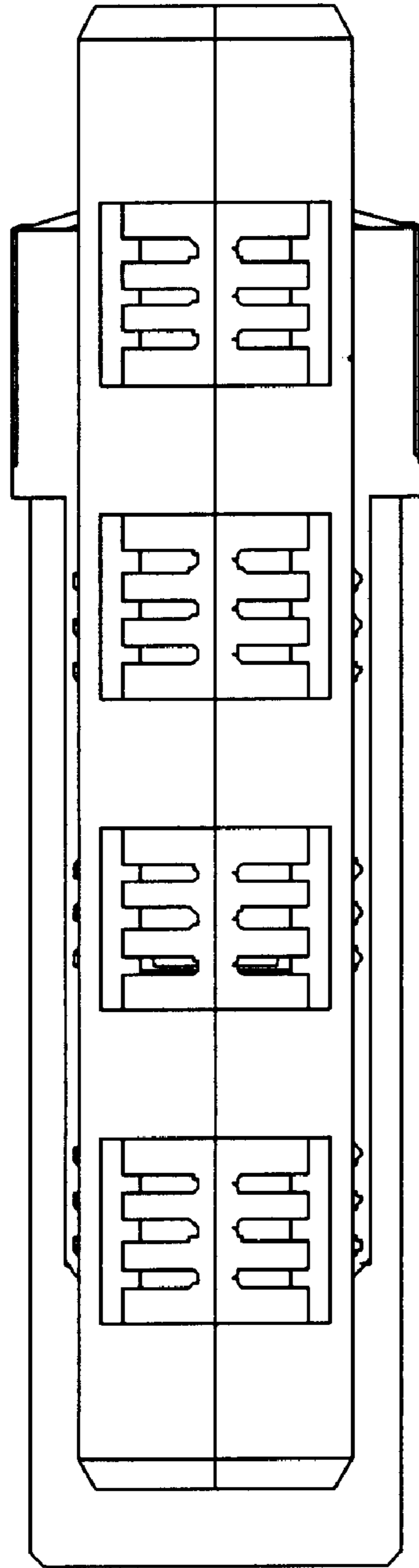
**FIG. 1**



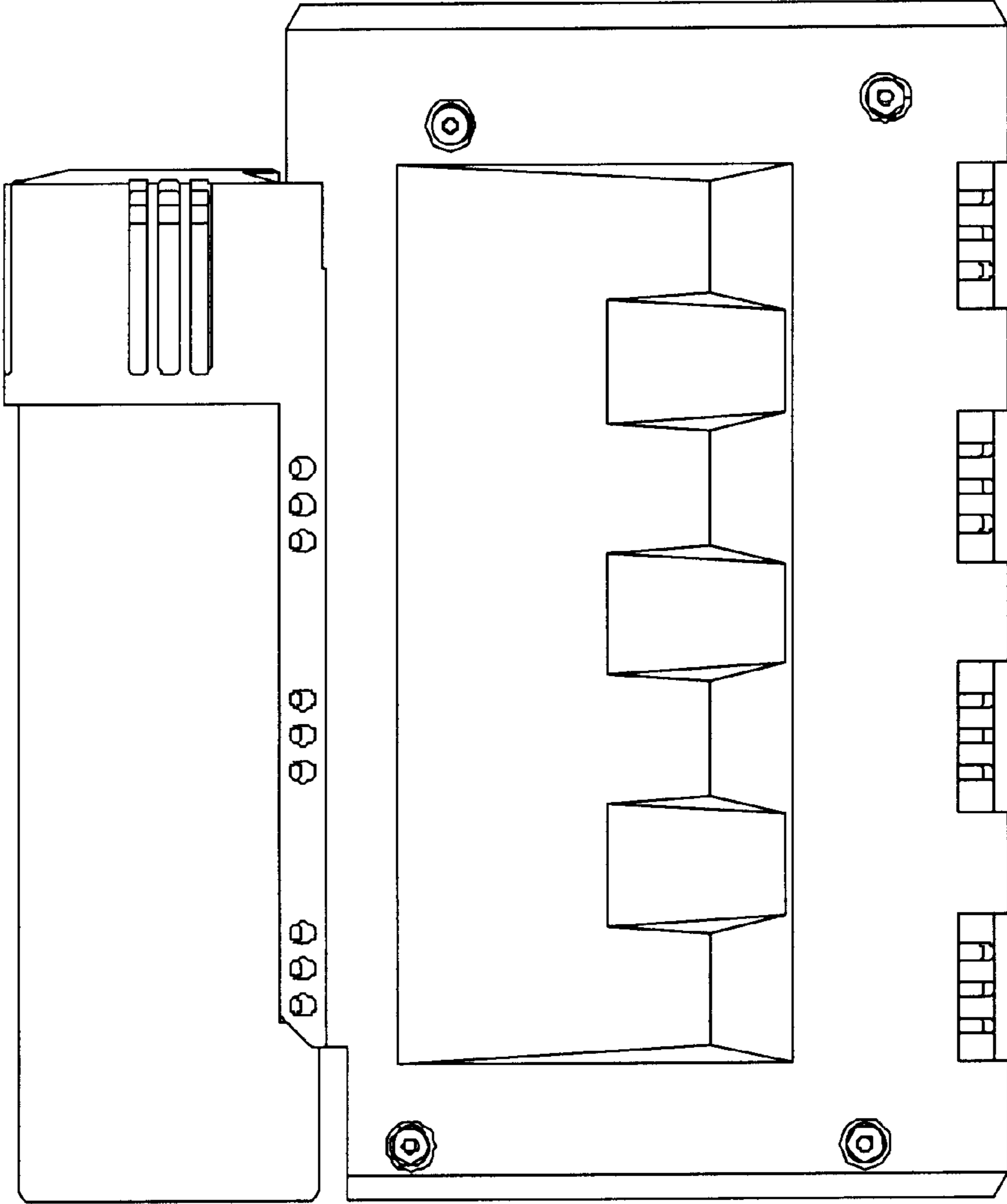
**FIG. 2**



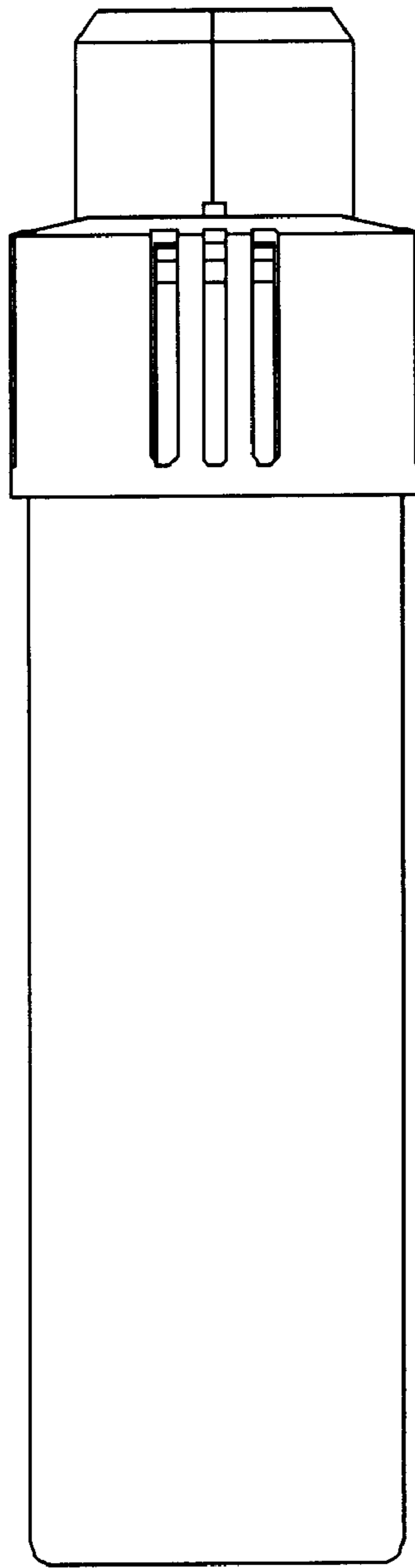
**FIG. 3**



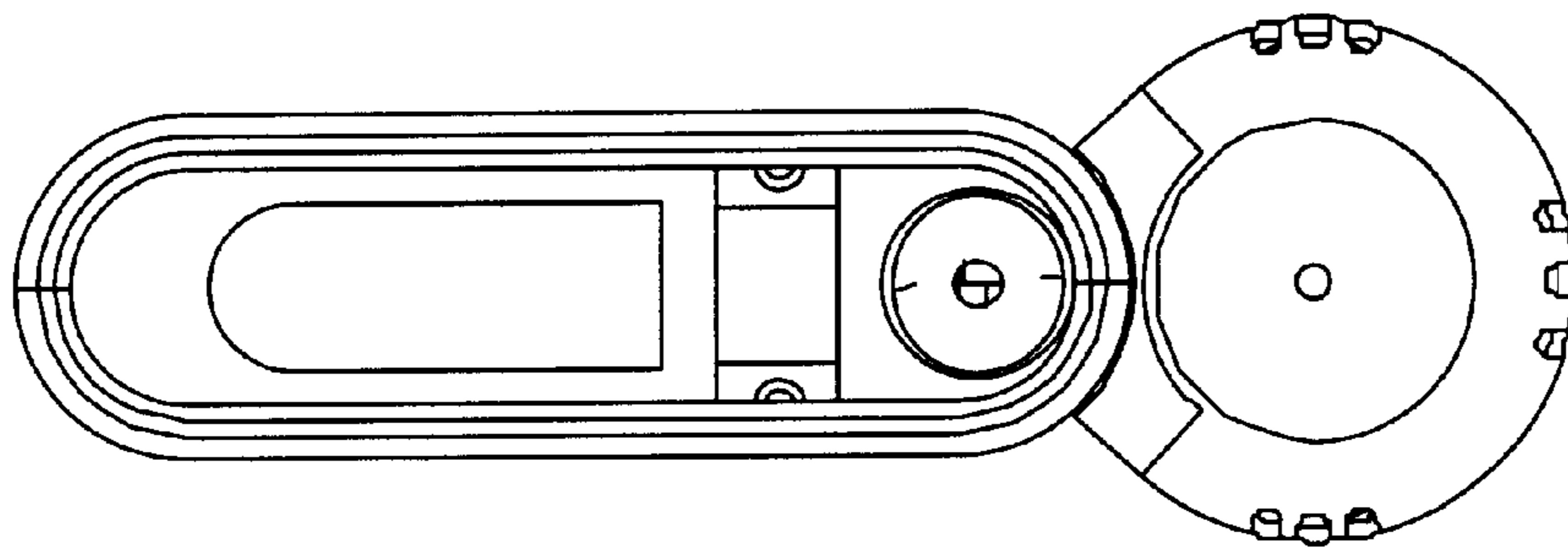
**FIG. 4**



**FIG. 5**

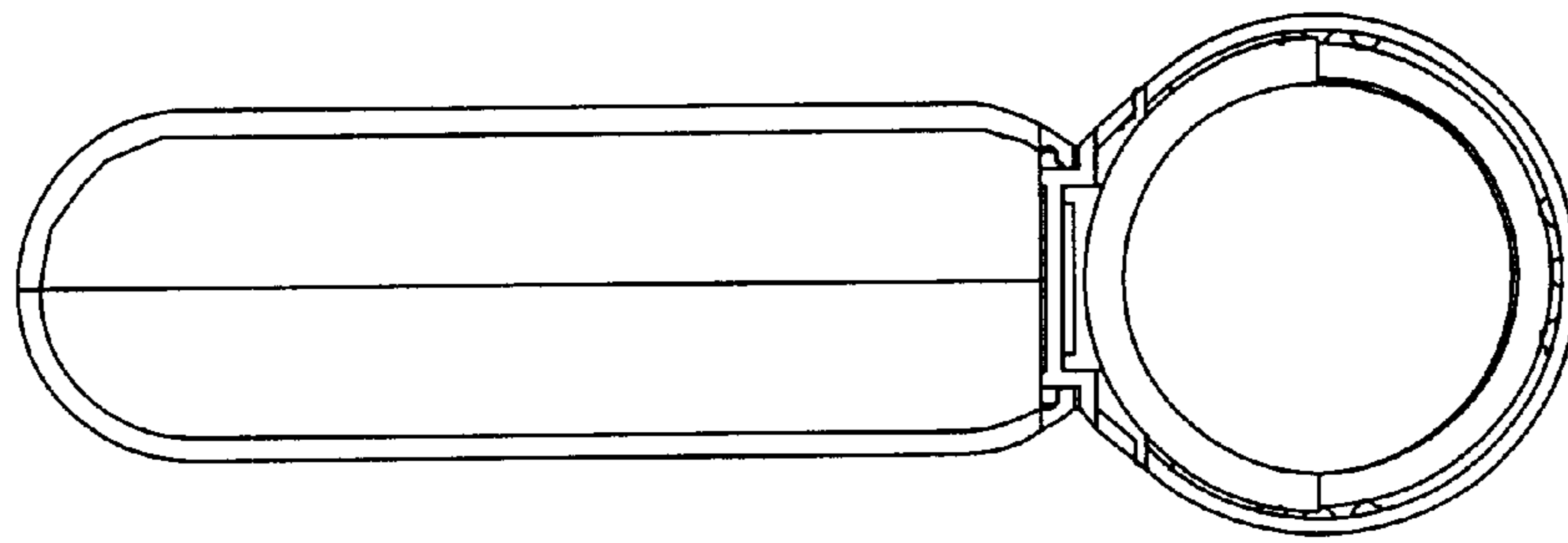


**FIG. 6**



**FIG. 7**





**FIG. 8**