



US00D539733S

(12) **United States Design Patent**
Ino et al.

(10) **Patent No.:** **US D539,733 S**

(45) **Date of Patent:** **** Apr. 3, 2007**

(54) **CHARGER**

(75) Inventors: **Tomoaki Ino**, Hikone (JP); **Taro Mochida**, Chuo-ku (JP); **Satoshi Fujii**, Yao (JP)

(73) Assignee: **Matsushita Electric Works, Ltd.**, Osaka (JP)

(**) Term: **14 Years**

(21) Appl. No.: **29/260,007**

(22) Filed: **May 18, 2006**

(30) **Foreign Application Priority Data**

Nov. 18, 2005 (JP) 2005-033991

(51) **LOC (8) Cl.** **13-02**

(52) **U.S. Cl.** **D13/107**

(58) **Field of Classification Search** D13/107-110,
D13/118-119, 184; D14/251, 253, 432, 434;
320/107-115

See application file for complete search history.

(56) **References Cited**

U.S. PATENT DOCUMENTS

D302,808 S	*	8/1989	Skuzza et al.	D13/107
D313,004 S	*	12/1990	Hasegawa et al.	D13/108
D321,337 S	*	11/1991	Sakamoto et al.	D13/108
5,065,082 A	*	11/1991	Fushiya	320/110
D327,669 S	*	7/1992	Sakamoto et al.	D13/108
5,148,094 A	*	9/1992	Parks et al.	320/110

D400,499 S	*	11/1998	Bunyea	D13/107
D404,006 S	*	1/1999	Clowers et al.	D13/107
D429,211 S	*	8/2000	Ohi et al.	D13/107
D440,202 S	*	4/2001	Heun	D13/107
6,597,152 B1	*	7/2003	Jacobs et al.	320/113
D506,436 S	*	6/2005	Cheung et al.	D13/107
D506,725 S	*	6/2005	Watson	D13/108

* cited by examiner

Primary Examiner—Alan P. Douglas

Assistant Examiner—Rosemary K. Tarcza

(74) *Attorney, Agent, or Firm*—Osha Liang LLP

(57) **CLAIM**

The ornamental design for a charger, as shown and described.

DESCRIPTION

FIG. 1 is a perspective view of the design according to the invention.

FIG. 2 is a front view of the design according to the invention.

FIG. 3 is a rear view of the design according to the invention.

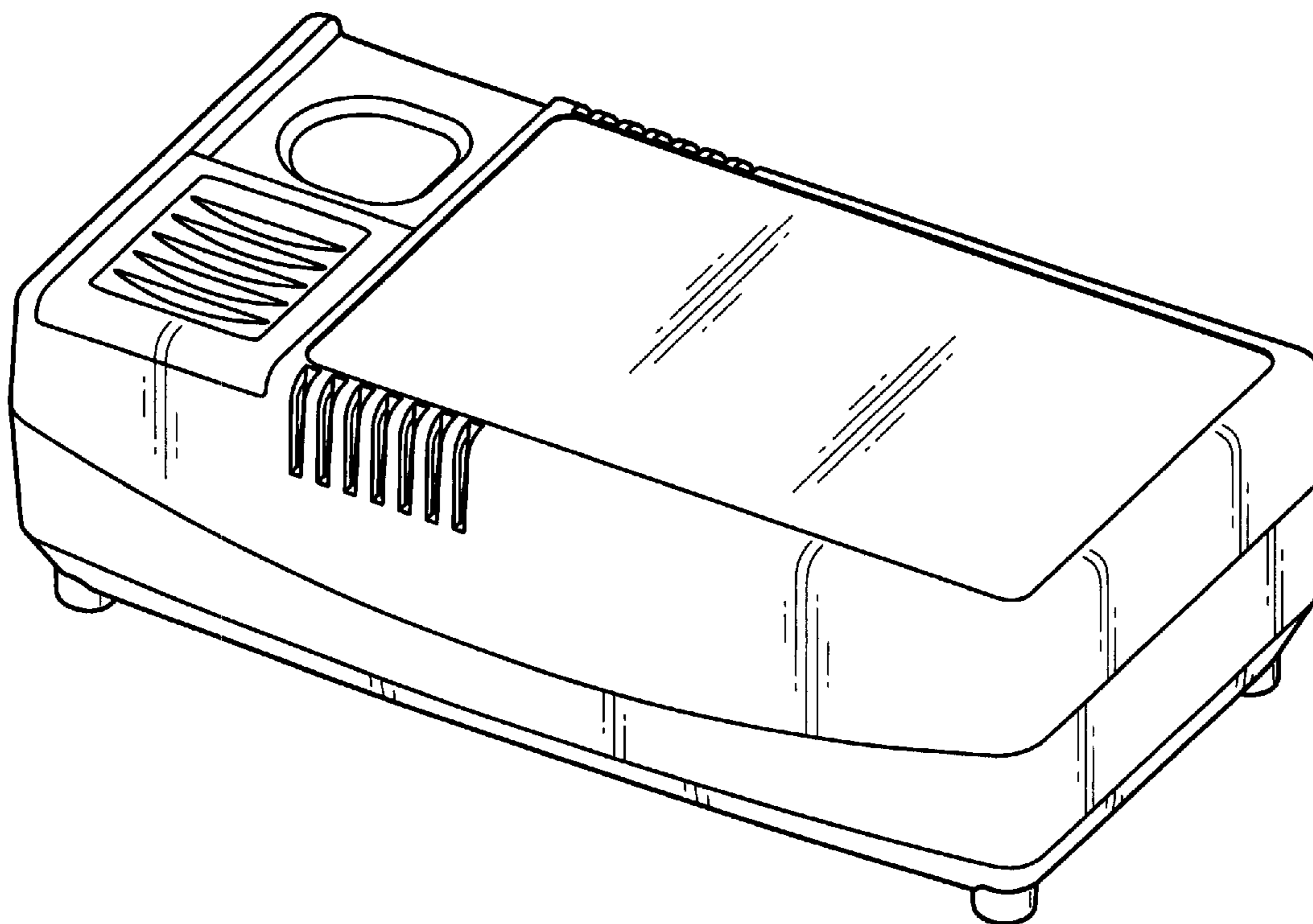
FIG. 4 is a left side view of the design according to the invention.

FIG. 5 is a right side view of the design according to the invention.

FIG. 6 is a top view of the design according to the invention; and,

FIG. 7 is a bottom view of the design according to the invention.

1 Claim, 4 Drawing Sheets



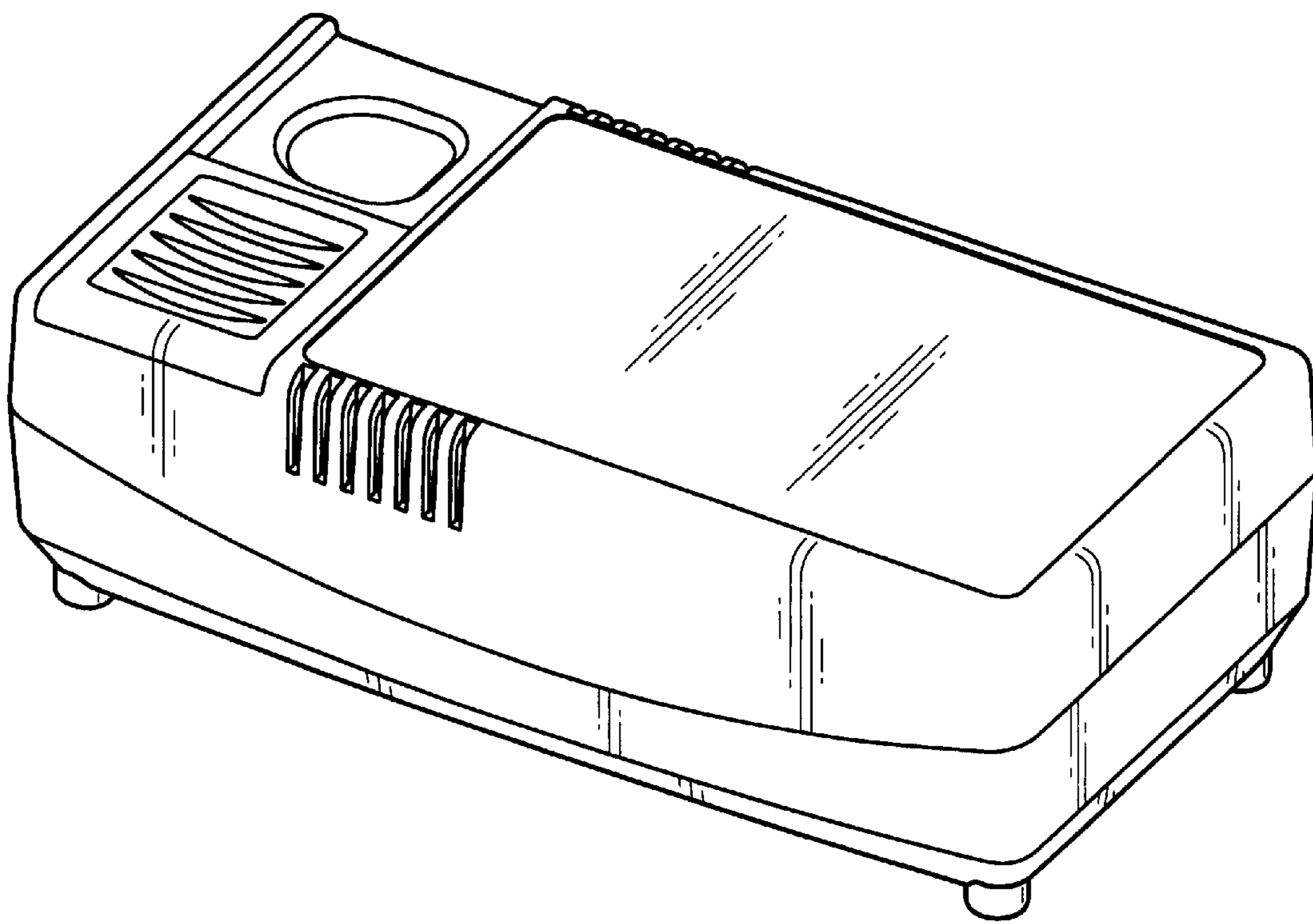


FIG. 1

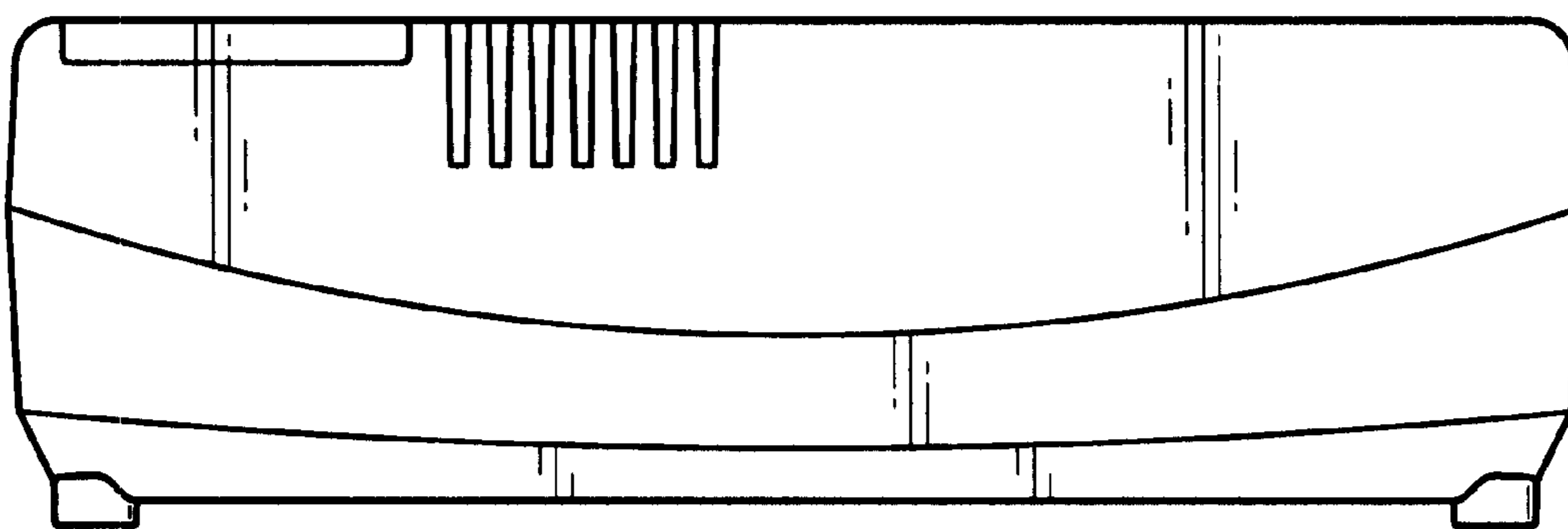


FIG. 2

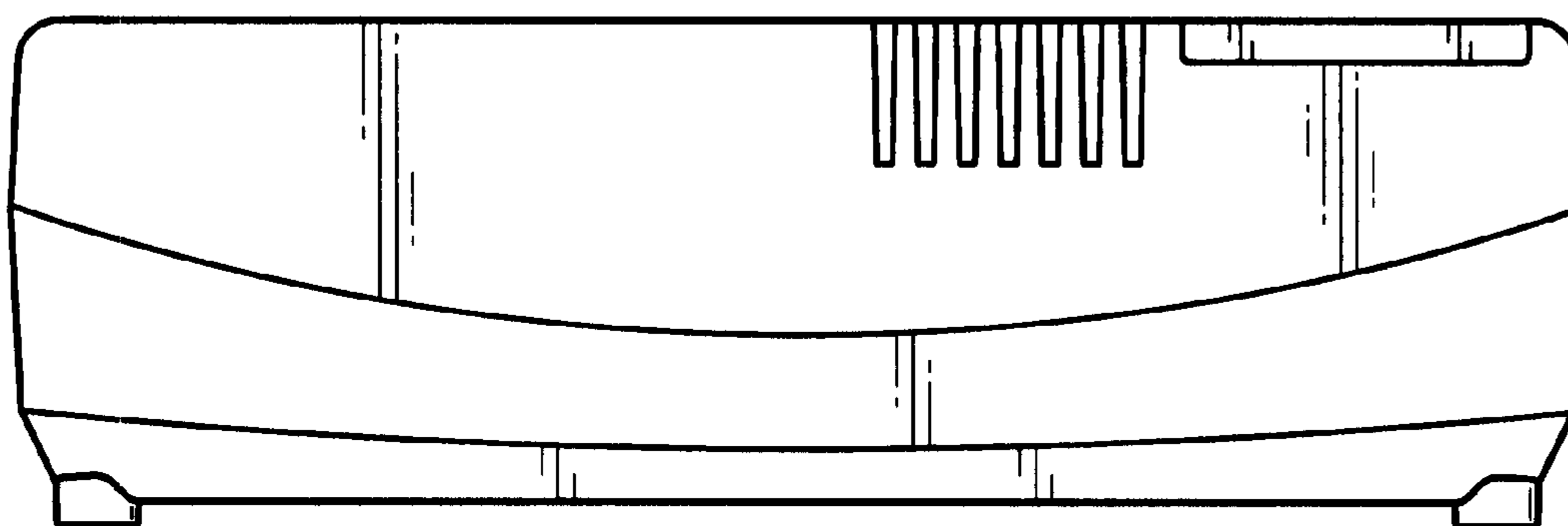


FIG. 3

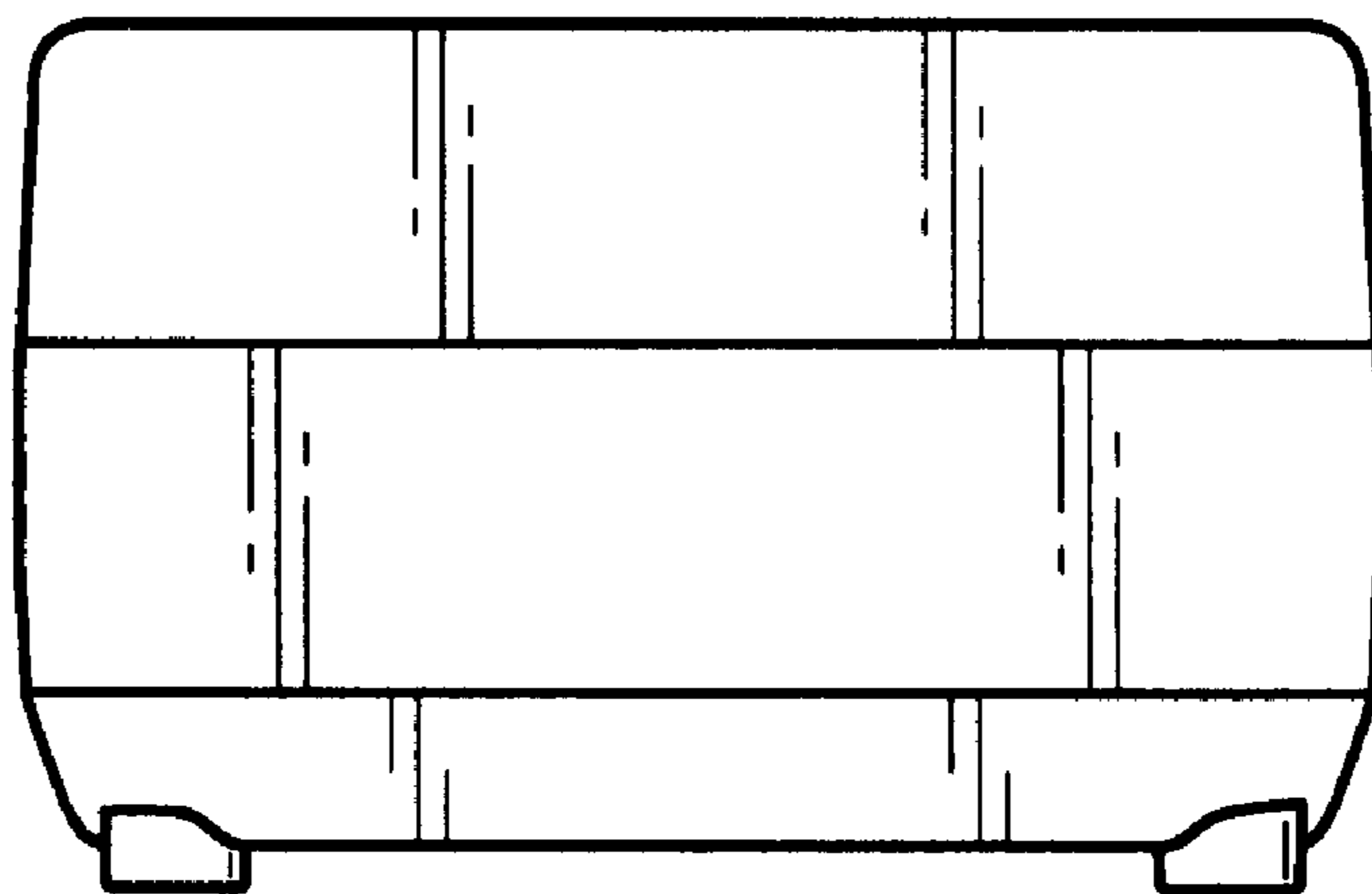


FIG. 4

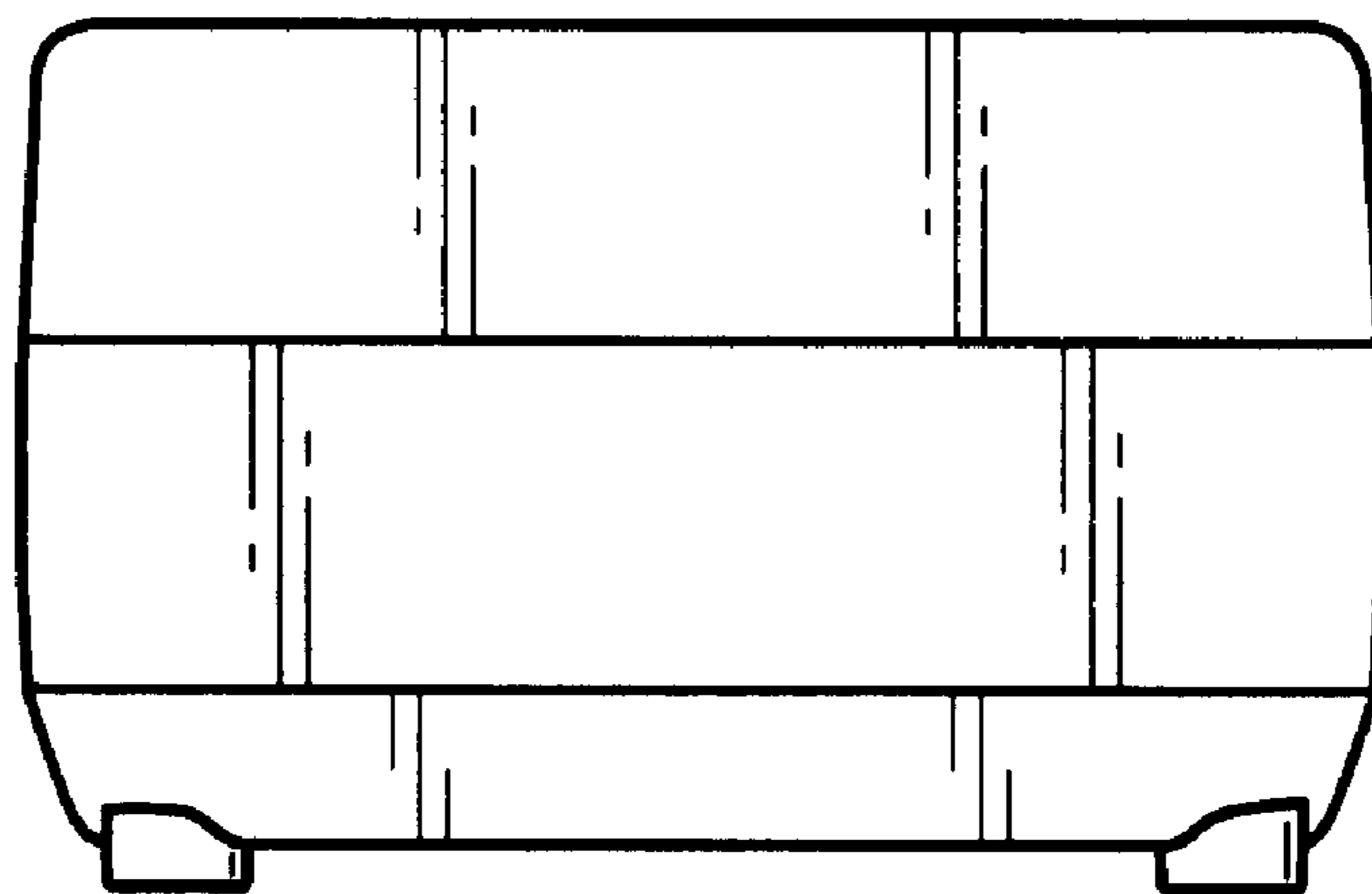


FIG. 5

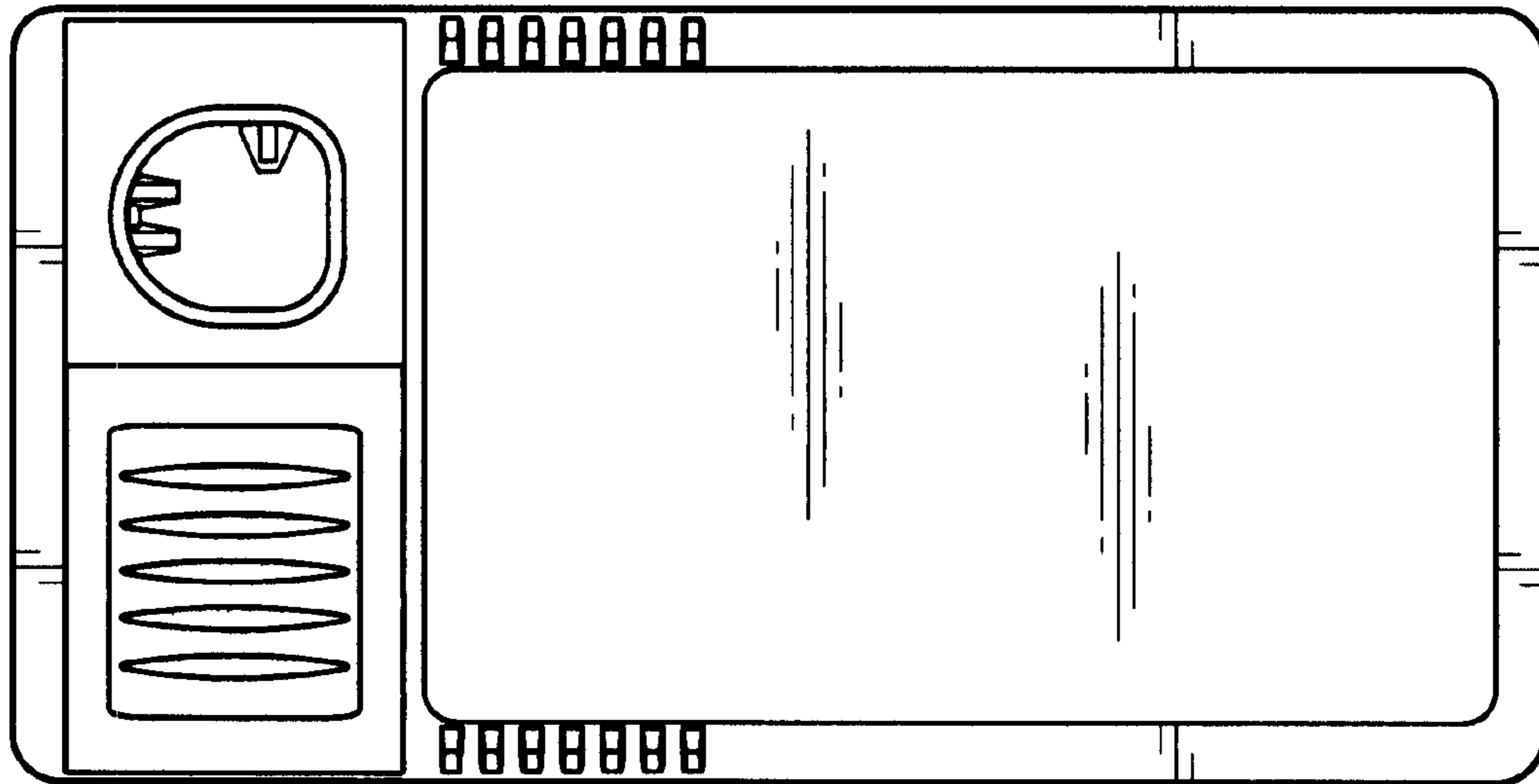


FIG. 6

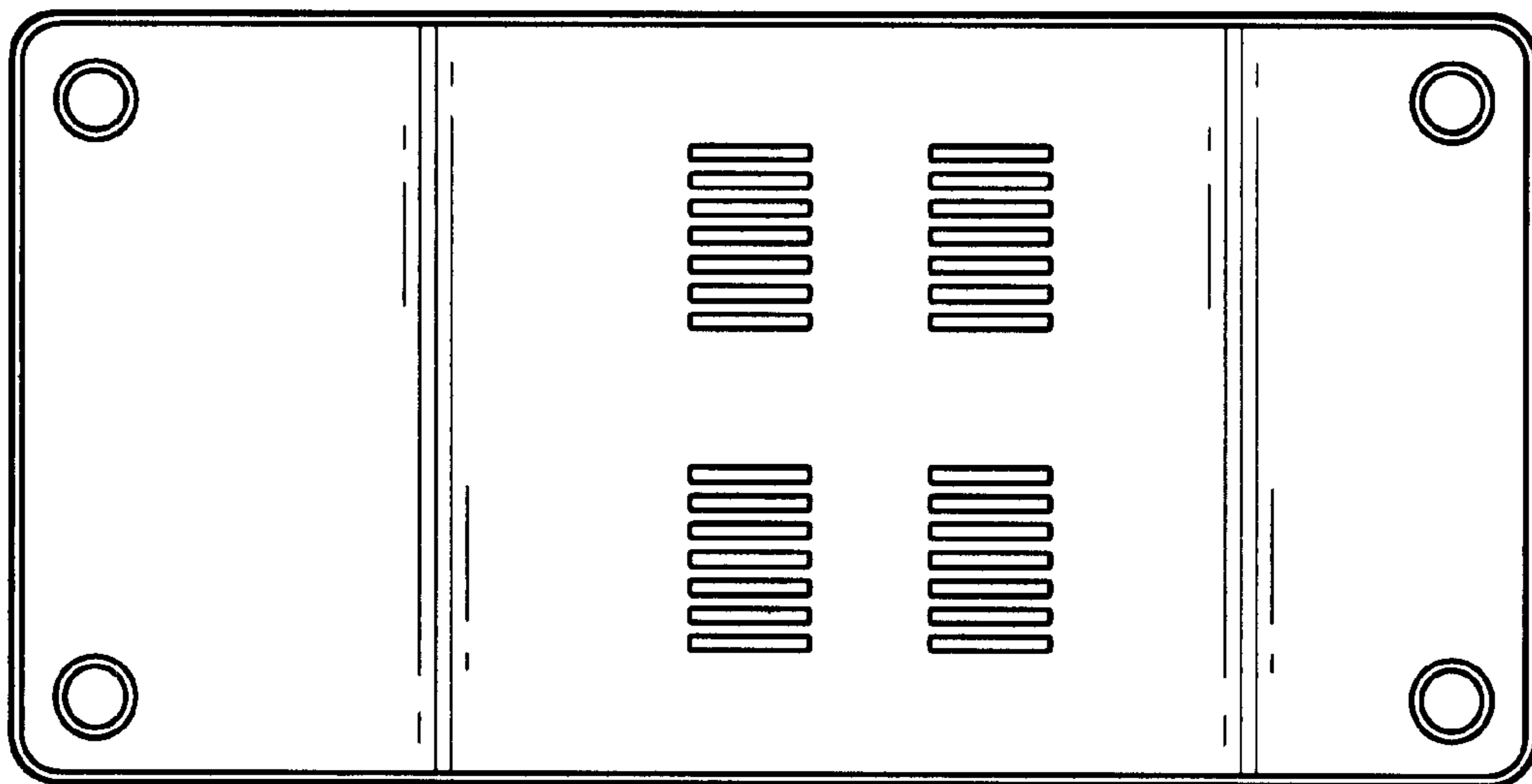


FIG. 7