



US00D539732S

(12) **United States Design Patent**
Aglassinger

(10) **Patent No.:** **US D539,732 S**

(45) **Date of Patent:** **** Apr. 3, 2007**

(54) **BATTERY CHARGER**

(75) Inventor: **Hans-Peter Aglassinger**, Esslingen
(DE)

(73) Assignee: **Robert Bosch GmbH**, Stuttgart (DE)

(**) Term: **14 Years**

(21) Appl. No.: **29/259,747**

(22) Filed: **May 15, 2006**

(30) **Foreign Application Priority Data**

Dec. 12, 2005 (EM) 000446901

(51) **LOC (8) Cl.** **13-02**

(52) **U.S. Cl.** **D13/107**

(58) **Field of Classification Search** D13/107-110,
D13/118-119, 184; D14/251, 253, 432, 434;
320/107-115

See application file for complete search history.

(56) **References Cited**

U.S. PATENT DOCUMENTS

D313,004 S	*	12/1990	Hasegawa et al.	D13/108
D363,717 S	*	10/1995	Solomita	D14/149
D372,219 S	*	7/1996	Schechtel et al.	D13/108
D400,499 S	*	11/1998	Bunyea	D13/107
D439,219 S	*	3/2001	Minagawa et al.	D13/108

D460,412 S	*	7/2002	Nawrozki	D13/107
D461,447 S	*	8/2002	Nawrozki	D13/107
6,489,744 B2	*	12/2002	Lavender	320/107
D472,875 S	*	4/2003	Garvis et al.	D13/107
D479,195 S	*	9/2003	Krieger et al.	D13/110
D503,677 S	*	4/2005	Wardenburg	D13/110
D506,436 S	*	6/2005	Cheung et al.	D13/107
D522,964 S	*	6/2006	Watson	D13/108

* cited by examiner

Primary Examiner—Alan P. Douglas

Assistant Examiner—Rosemary K. Tarcza

(74) *Attorney, Agent, or Firm*—Michael J. Striker

(57) **CLAIM**

The ornamental design for a battery charger, as shown and described.

DESCRIPTION

FIG. 1 is a perspective view of a battery charger showing my new design;

FIG. 2 is a rear view thereof;

FIG. 3 is a top view thereof;

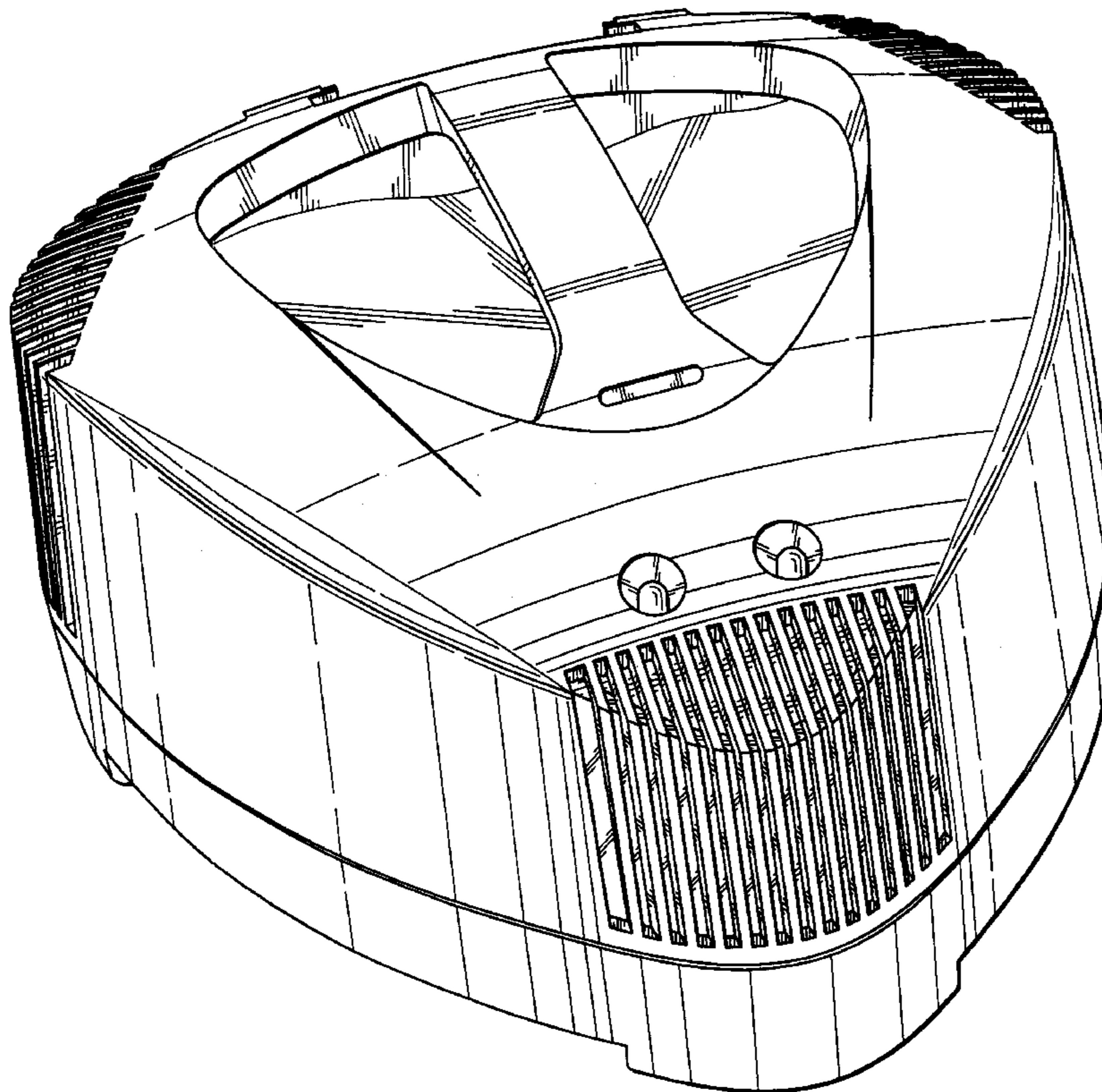
FIG. 4 is a front view thereof;

FIG. 5 is a bottom view thereof;

FIG. 6 is a side view thereof; and,

FIG. 7 is the opposite side view of FIG. 6 thereof.

1 Claim, 7 Drawing Sheets



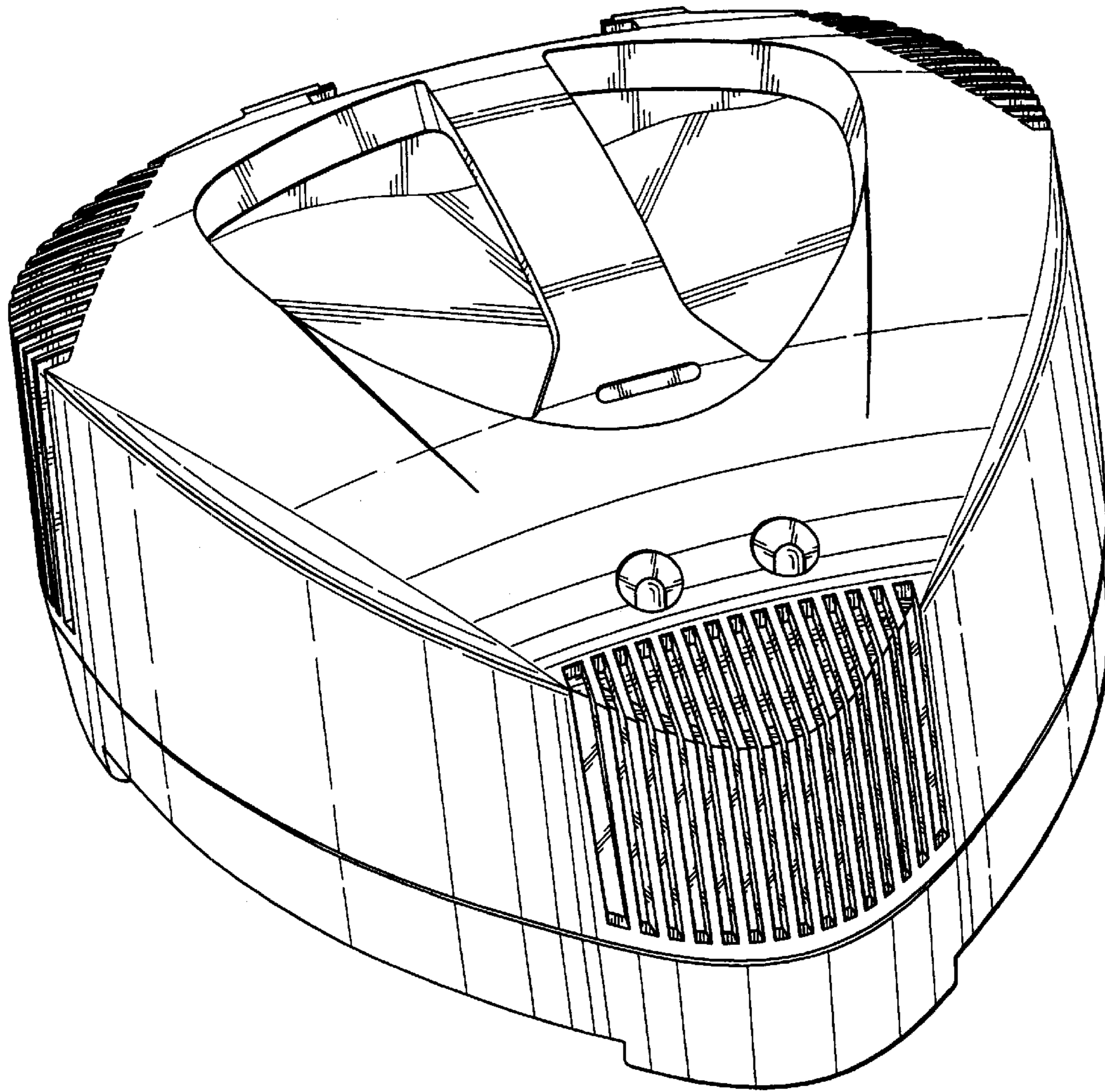


Fig. 1

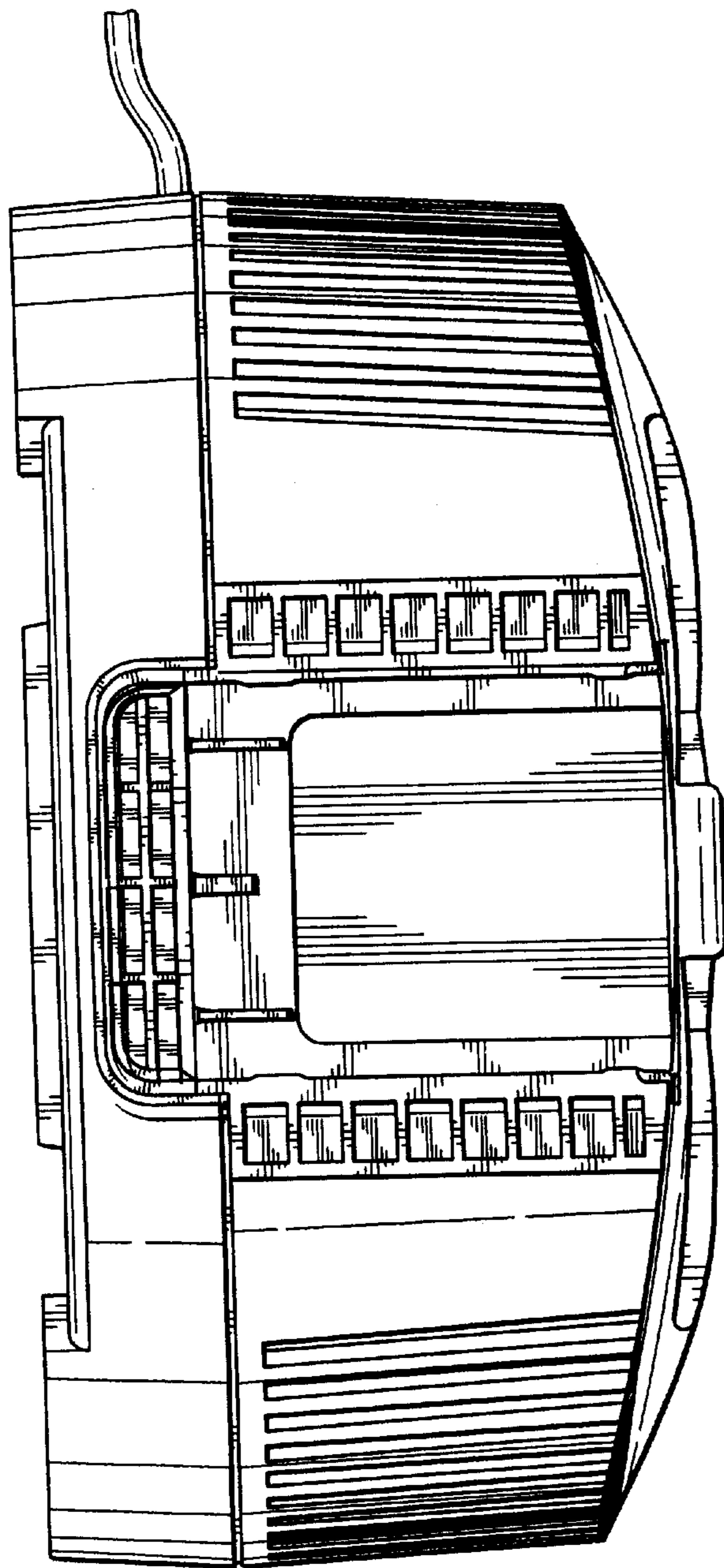


Fig. 2

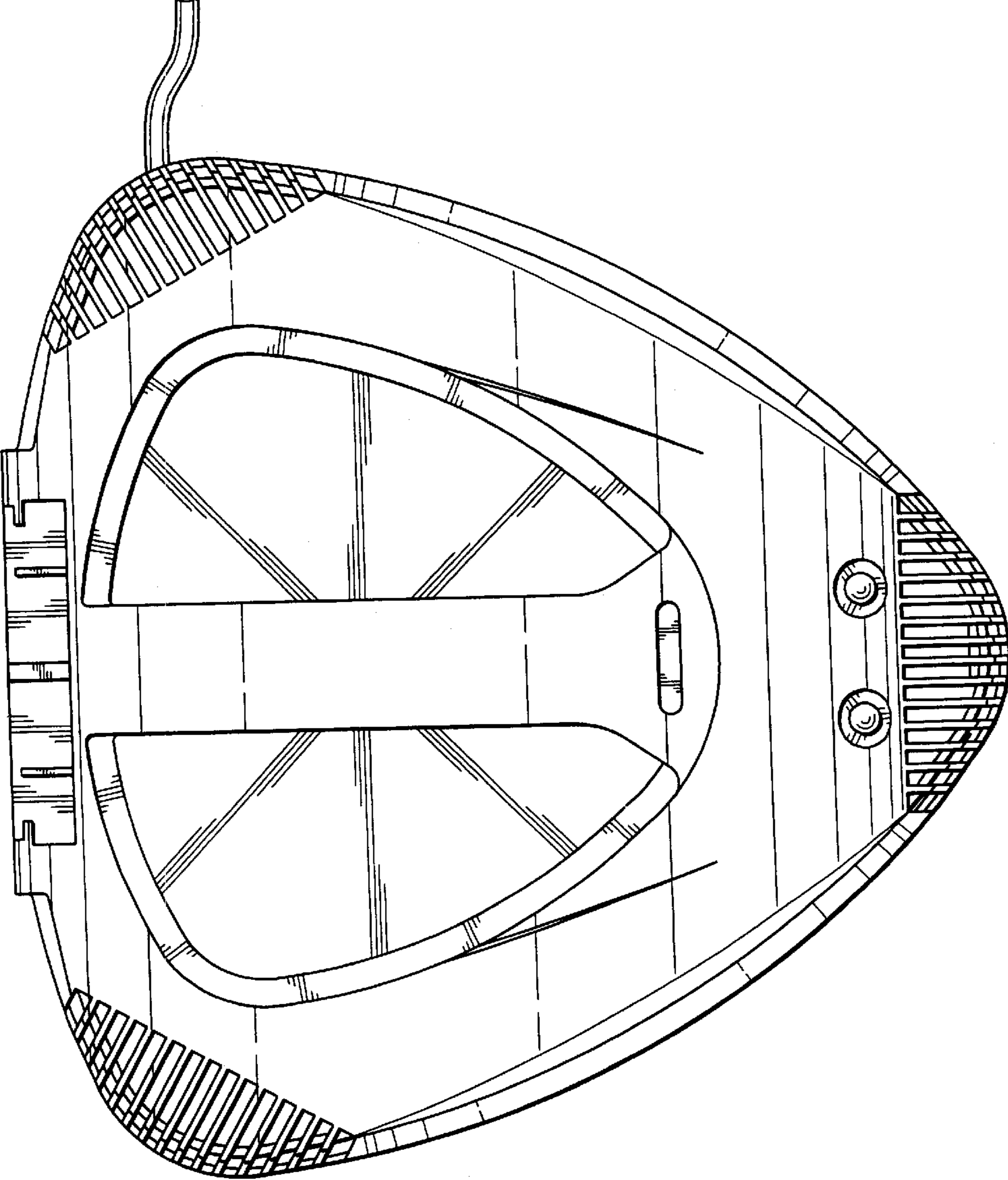


Fig. 3

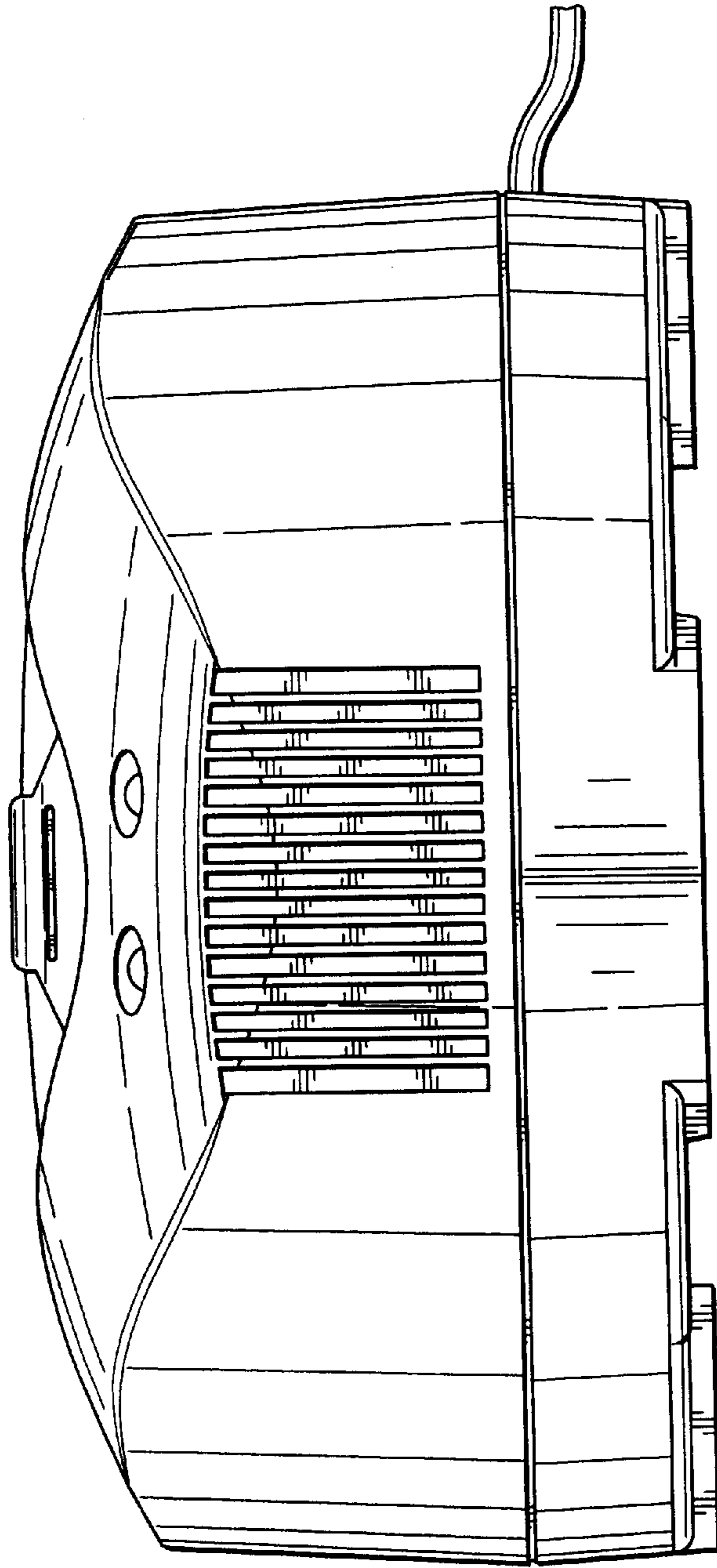


Fig. 4

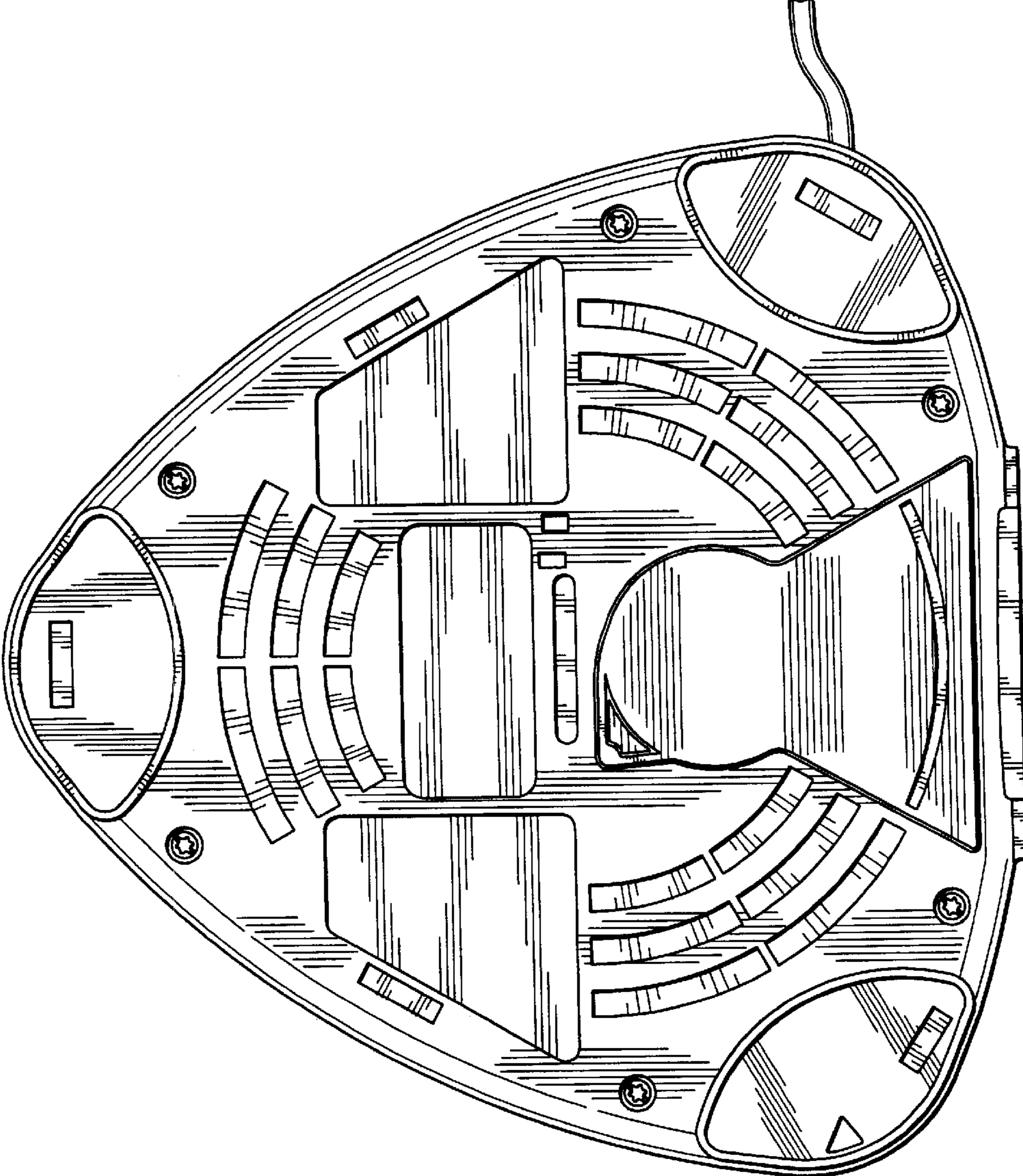


Fig. 5

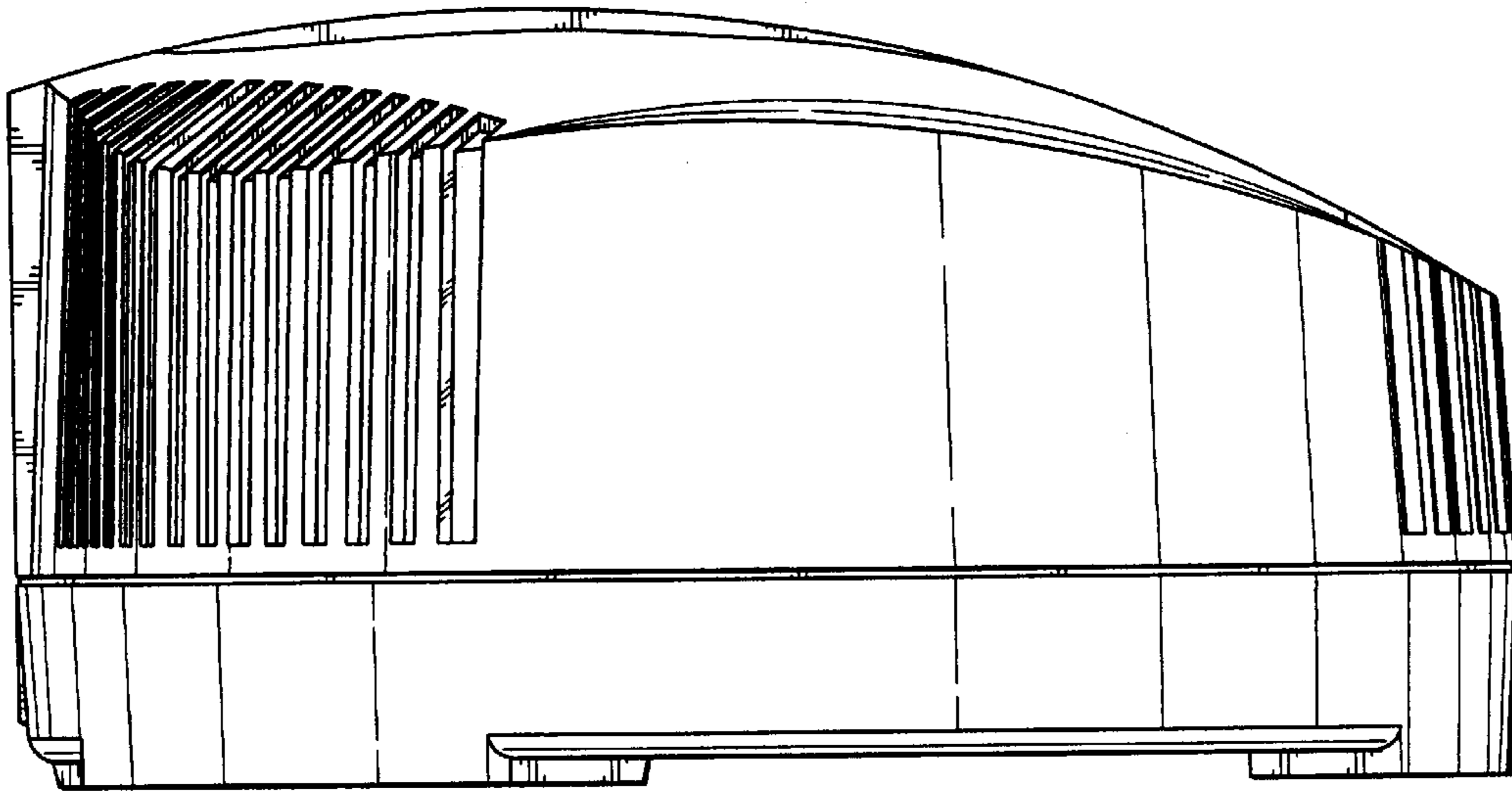


Fig. 6

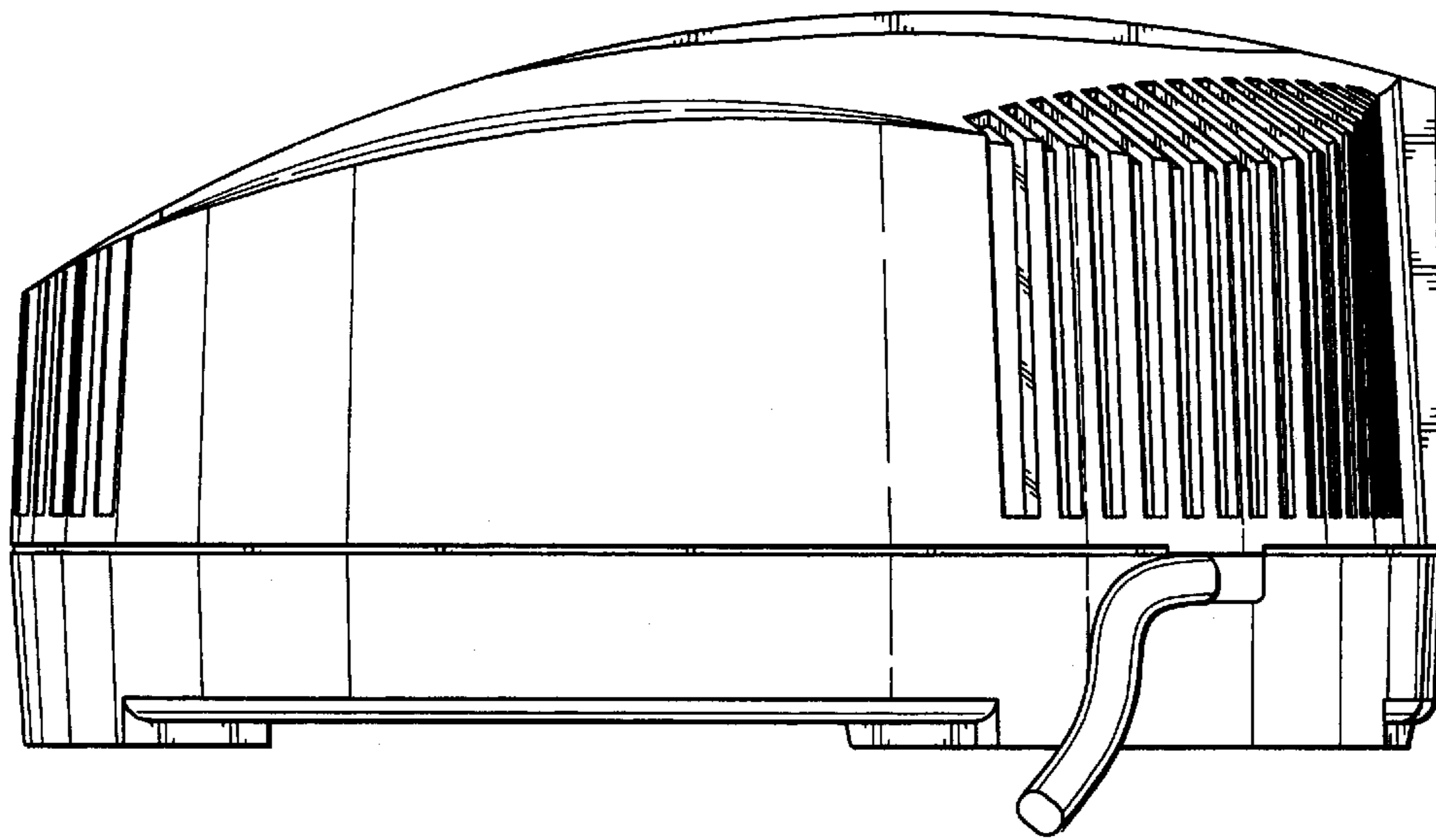


Fig. 7