



US00D539730S

(12) **United States Design Patent**
Kawase

(10) **Patent No.:** **US D539,730 S**

(45) **Date of Patent:** **** Apr. 3, 2007**

(54) **BATTERY**

(75) Inventor: **Atsushi Kawase**, Tokyo (JP)

(73) Assignee: **Sony Corporation**, Tokyo (JP)

(**) Term: **14 Years**

(21) Appl. No.: **29/222,101**

(22) Filed: **Jan. 27, 2005**

(51) **LOC (8) Cl.** **13-02**

(52) **U.S. Cl.** **D13/103**

(58) **Field of Classification Search** D13/102-106,
D13/110, 118-119, 184; 429/96-100, 163,
429/176

See application file for complete search history.

(56) **References Cited**

U.S. PATENT DOCUMENTS

D406,561 S	3/1999	Goto	
D412,486 S	* 8/1999	Gray et al.	D13/103
D413,300 S	* 8/1999	Igarashi	D13/103
D415,466 S	* 10/1999	Kawa	D13/103
D421,244 S	2/2000	Goto	
D425,015 S	* 5/2000	Iwamoto	D13/103
D431,227 S	9/2000	Ogasawara	
D431,808 S	10/2000	Ogasawara	
D448,003 S	9/2001	Ogasawara	
D457,857 S	5/2002	Ogasawara	
D461,163 S	* 8/2002	Hirano et al.	D13/103
D476,949 S	* 7/2003	Wada	D13/103
D477,275 S	* 7/2003	Wada	D13/103
D515,025 S	* 2/2006	Yokota	D13/103

D517,475 S	* 3/2006	Yokota	D13/103
D519,919 S	* 5/2006	Yokota	D13/103
D520,942 S	* 5/2006	Yokota	D13/103
D521,448 S	* 5/2006	Yokota	D13/103
D521,449 S	* 5/2006	Yokota	D13/103

OTHER PUBLICATIONS

Web page "VGP-BPL2" <http://www.ecat.sony.co.jp/computer/vaio/acc/index.cfm?PD=17109&KM=VGP-BPL2>, 1 sheet, Sony (Nov. 2004).

Web page "VGP-BPS3" <http://www.ecat.sony.co.jp/computer/vaio/acc/index.cfm?PD=18765&KM=VGP-BPS3>, 1 sheet, Sony (Nov. 2004).

* cited by examiner

Primary Examiner—Ian Simmons

Assistant Examiner—Rosemary K. Tarcza

(74) *Attorney, Agent, or Firm*—Rader, Fishman & Grauer PLLC

(57) **CLAIM**

The ornamental design for a battery, as shown.

DESCRIPTION

FIG. 1 is a perspective view of a battery showing my new design;

FIG. 2 is a front elevational view thereof;

FIG. 3 is a rear elevational view thereof;

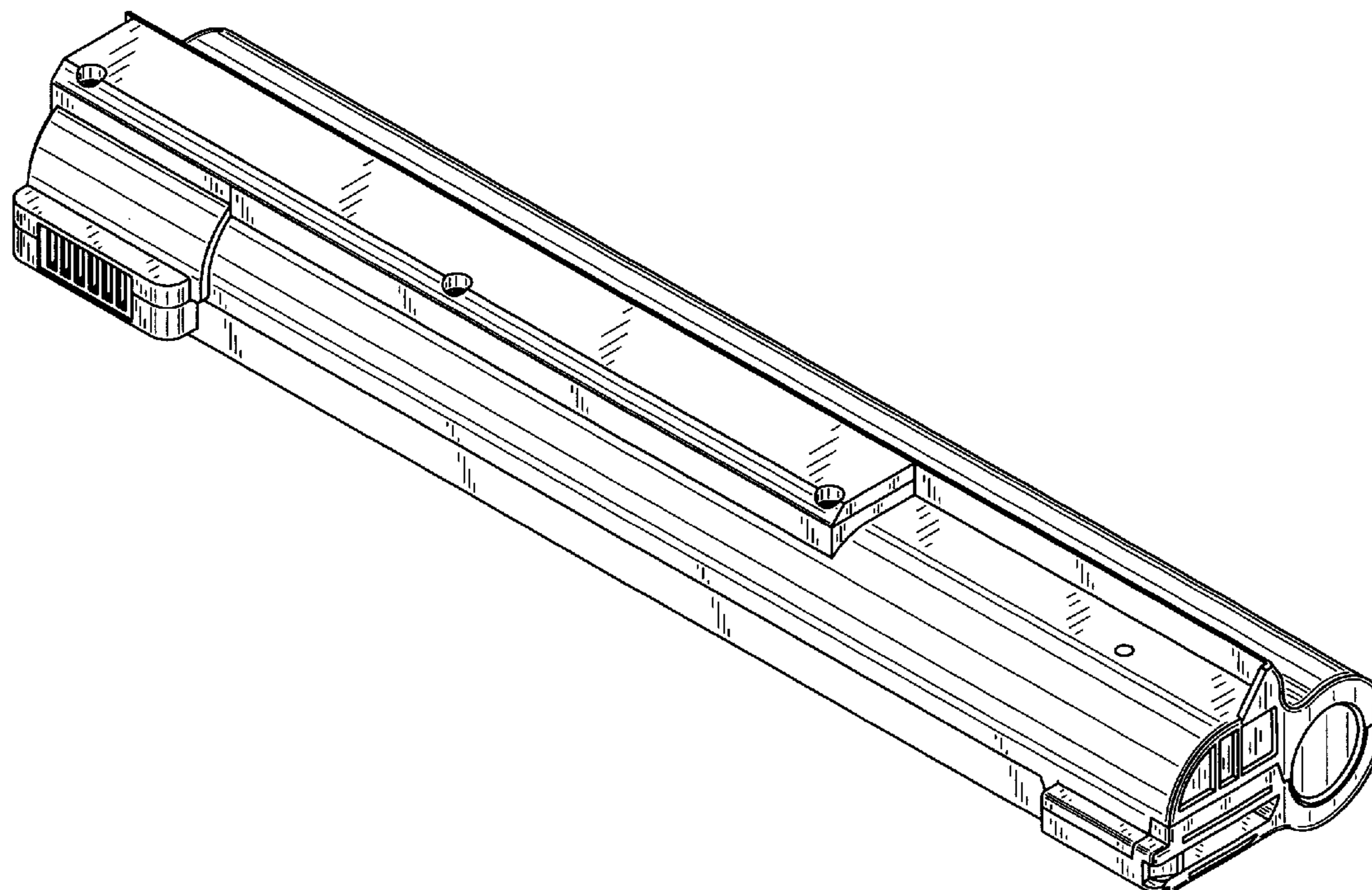
FIG. 4 is a top plan view thereof;

FIG. 5 is a bottom plan view thereof;

FIG. 6 is a left side elevational view thereof; and,

FIG. 7 is a right side elevational view thereof.

1 Claim, 4 Drawing Sheets



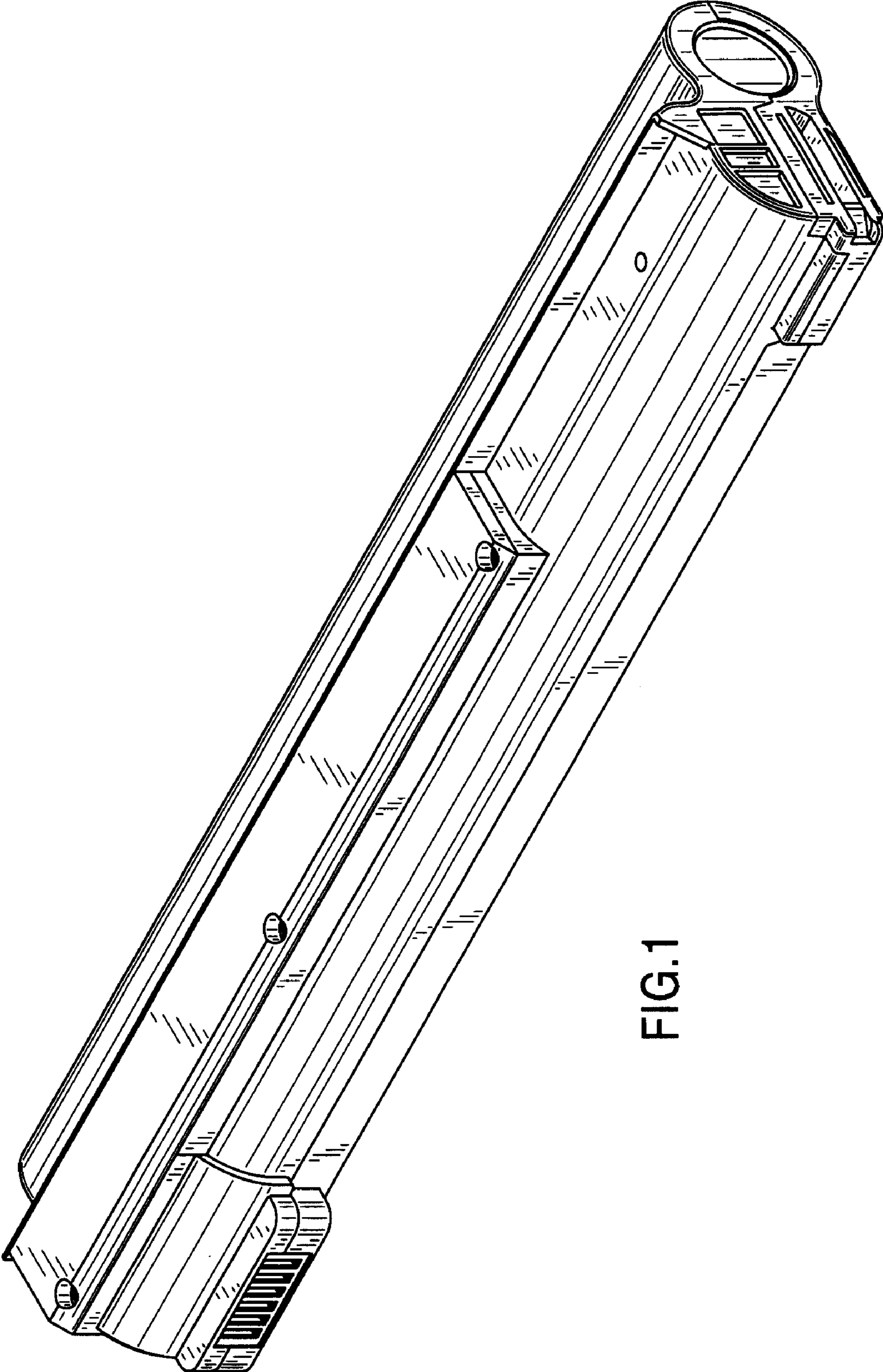


FIG.1

FIG.2

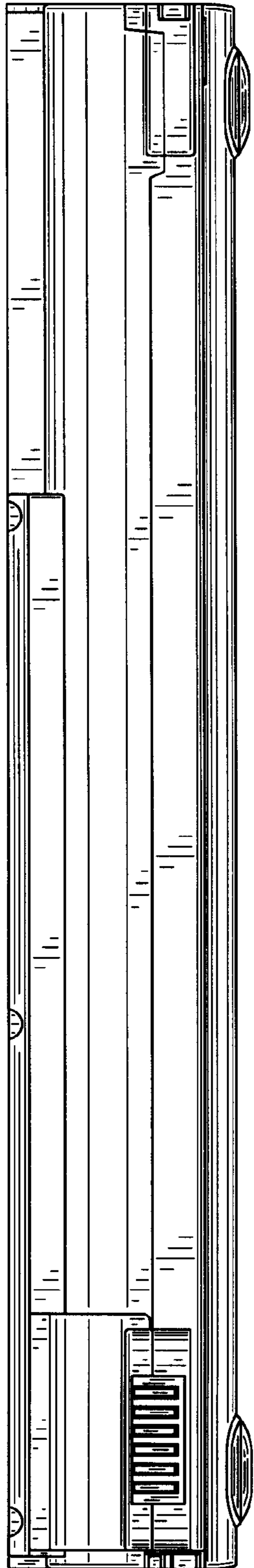


FIG.3

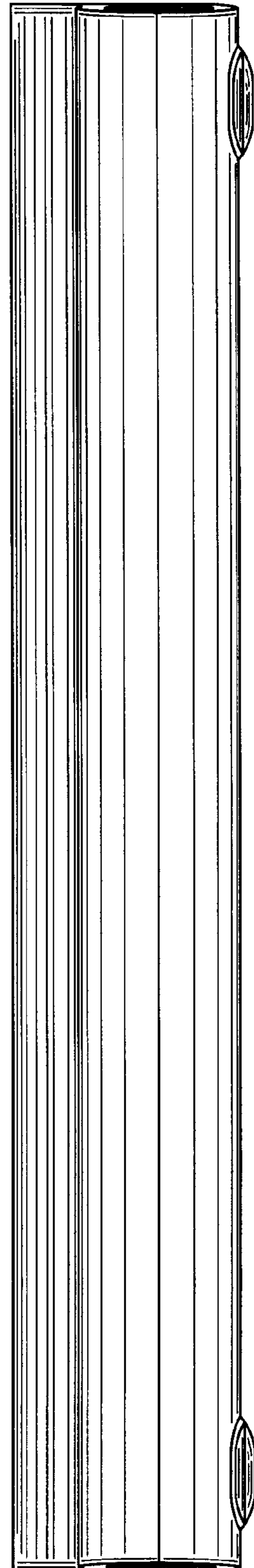


FIG.4

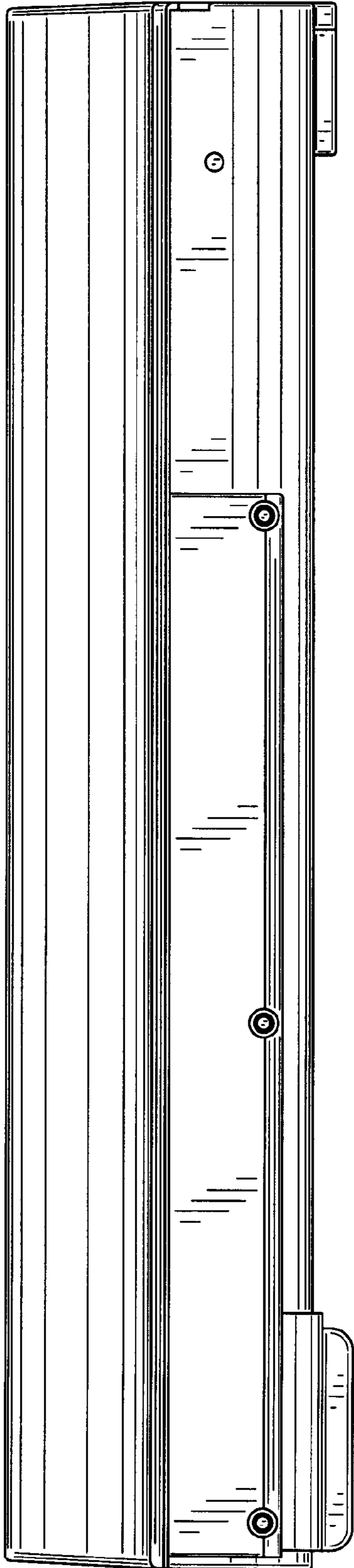


FIG.5

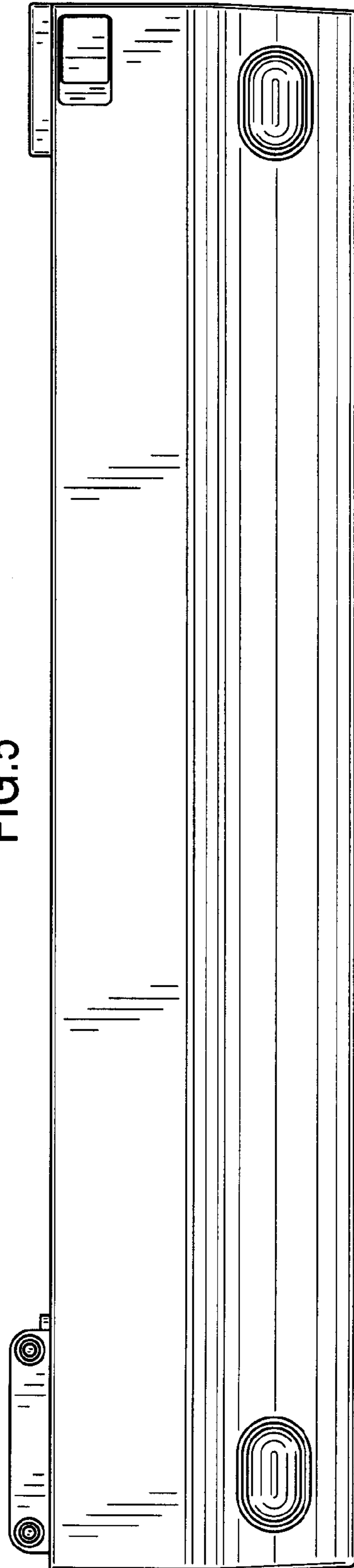


FIG.6

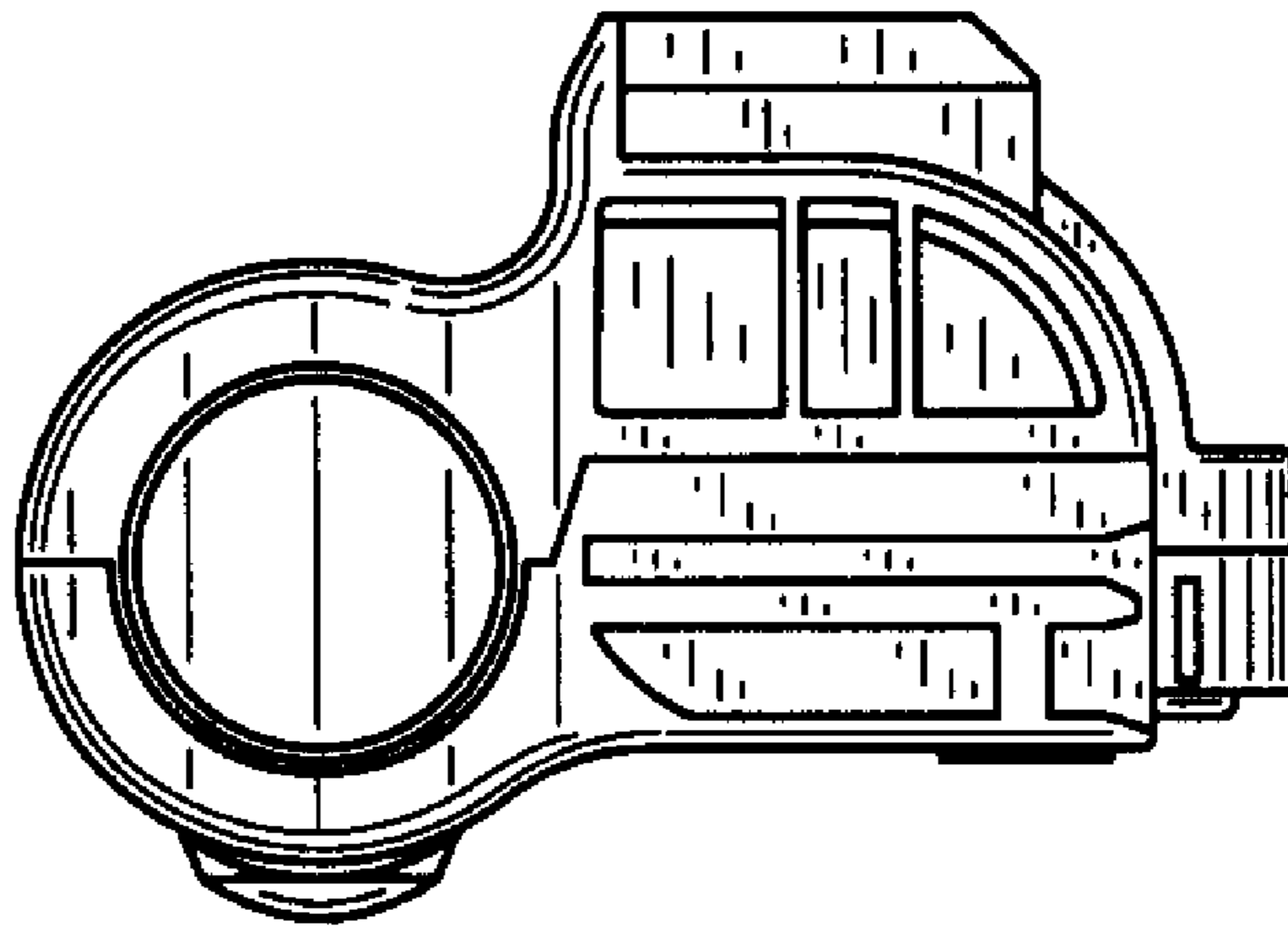


FIG.7

