



US00D539725S

(12) **United States Design Patent**
Plumer

(10) **Patent No.:** **US D539,725 S**

(45) **Date of Patent:** **** Apr. 3, 2007**

(54) **AUTOMOTIVE WHEEL**

(75) Inventor: **Mark J. Plumer**, Industry, CA (US)

(73) Assignee: **The Wheel Group**, Industry, CA (US)

(**) Term: **14 Years**

(21) Appl. No.: **29/266,531**

(22) Filed: **Sep. 22, 2006**

(51) **LOC (8) Cl.** **12-16**

(52) **U.S. Cl.** **D12/211**

(58) **Field of Classification Search** D12/204-213;
301/37.101, 64.101, 65

See application file for complete search history.

(56) **References Cited**

U.S. PATENT DOCUMENTS

D267,564 S	*	1/1983	Wright	D12/211
D412,692 S	*	8/1999	Hussaini	D12/209
D444,118 S	*	6/2001	Chung	D12/211

D459,689 S	*	7/2002	Hieke	D12/211
D487,418 S	*	3/2004	Hieke	D12/211
D492,927 S	*	7/2004	Fitzgerald	D12/211
D495,289 S	*	8/2004	Kataoka	D12/211
D510,554 S	*	10/2005	Markefka	D12/211
D520,432 S	*	5/2006	Metros et al.	D12/211
D530,258 S	*	10/2006	Schell	D12/211

* cited by examiner

Primary Examiner—Stacia Cadmus

(57) **CLAIM**

The ornamental design for an automotive wheel, as shown and described.

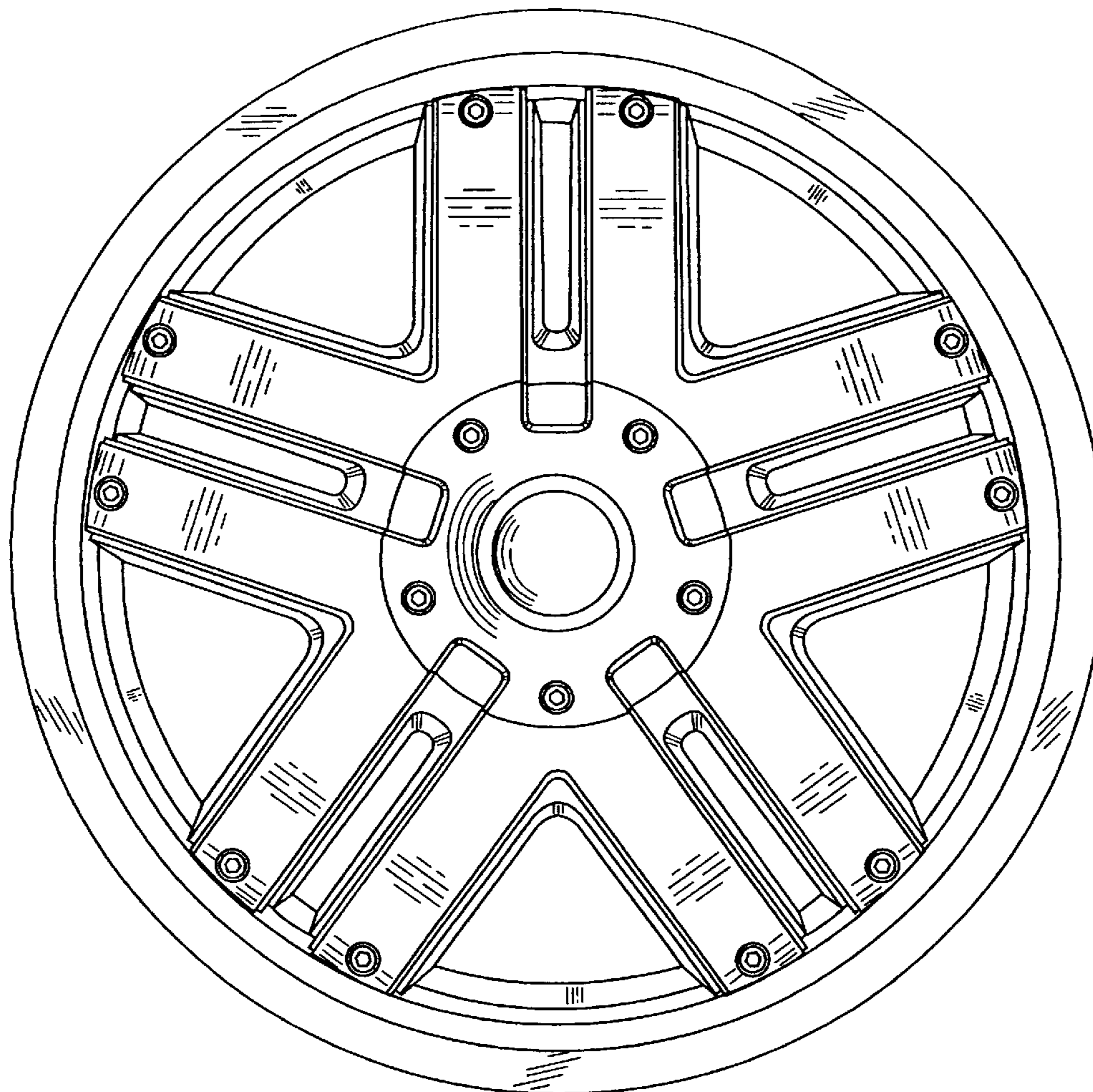
DESCRIPTION

FIG. 1 is a perspective view of an automotive wheel showing my new design; and,

FIG. 2 is a front elevational view thereof.

The broken lines are for illustrative purposes only, and form no part of the claimed design herein.

1 Claim, 2 Drawing Sheets



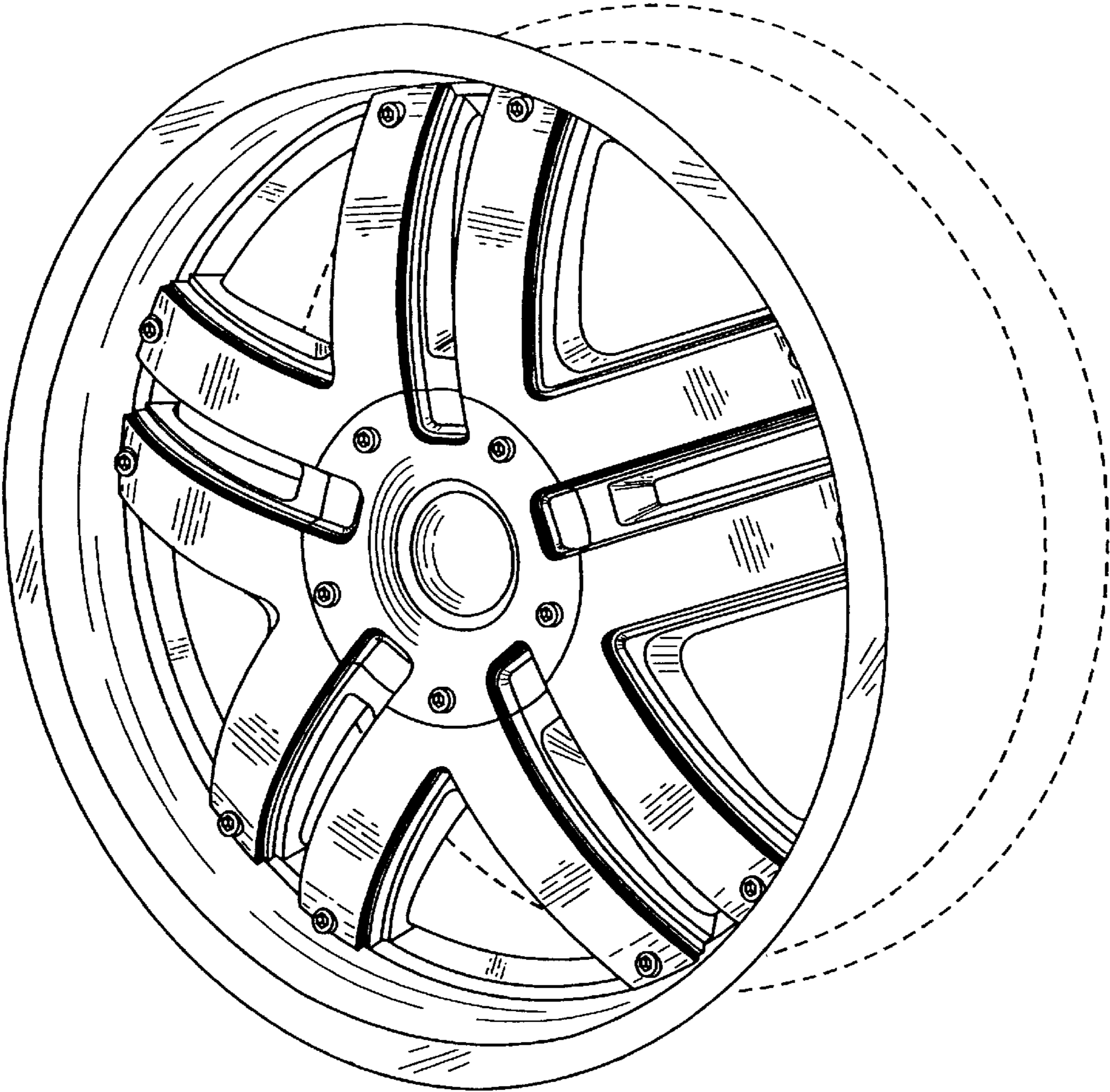


Fig. 1

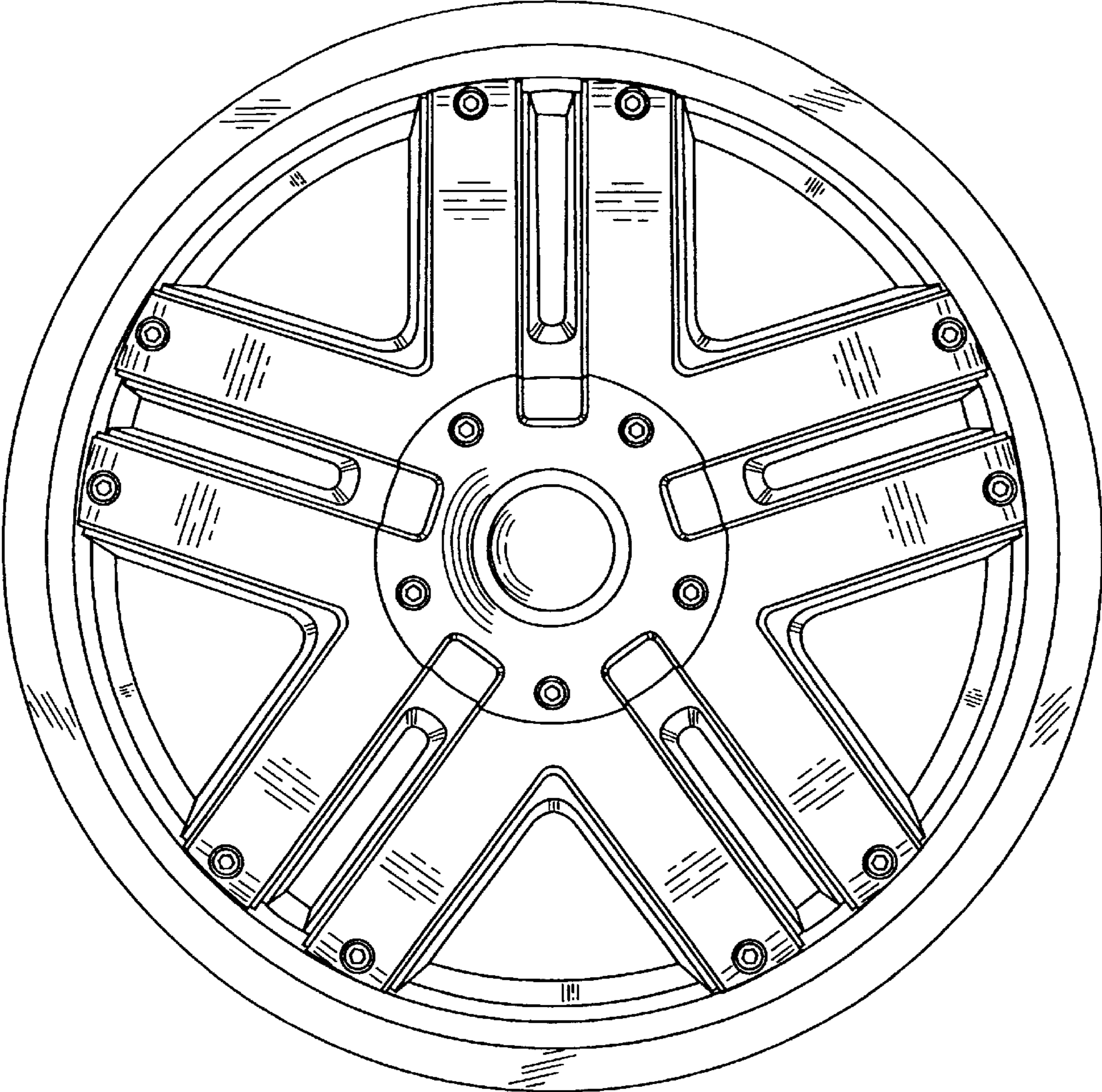


Fig. 2