



US00D539724S

(12) **United States Design Patent**  
**Muzzarelli**

(10) **Patent No.:** **US D539,724 S**

(45) **Date of Patent:** **\*\* Apr. 3, 2007**

(54) **FRONT FACE OF A VEHICLE WHEEL**

(75) Inventor: **Marco Muzzarelli**, Gardena, CA (US)

(73) Assignee: **Claus Ettensberger Corp.**, Gardena, CA (US)

(\*\*) Term: **14 Years**

(21) Appl. No.: **29/265,915**

(22) Filed: **Sep. 12, 2006**

(51) **LOC (8) Cl.** ..... **12-16**

(52) **U.S. Cl.** ..... **D12/211**

(58) **Field of Classification Search** ..... D12/204-213;  
301/37.101, 64.101, 65

See application file for complete search history.

(56) **References Cited**

**U.S. PATENT DOCUMENTS**

D417,646 S	*	12/1999	Baumgartner	.....	D12/211
D427,558 S	*	7/2000	Neeper	.....	D12/211
D432,974 S	*	10/2000	Jablonski	.....	D12/211
D457,478 S	*	5/2002	Minamisawa	.....	D12/211
D478,307 S	*	8/2003	Maifrini	.....	D12/211

D503,669 S	*	4/2005	Bhambra	.....	D12/211
D517,971 S	*	3/2006	Pfeiffer	.....	D12/211
D521,438 S	*	5/2006	Nordmann	.....	D12/211
D524,220 S	*	7/2006	Scheu	.....	D12/211
D526,610 S	*	8/2006	Muzzarelli	.....	D12/211
D528,061 S	*	9/2006	Saridakis et al.	.....	D12/211
D528,063 S	*	9/2006	Schell	.....	D12/211

\* cited by examiner

*Primary Examiner*—Stacia Cadmus

(74) *Attorney, Agent, or Firm*—Berenato, White & Stavish

(57) **CLAIM**

The ornamental design for front face of a vehicle wheel, as shown and described.

**DESCRIPTION**

FIG. 1 is a front view of a front face of a vehicle wheel showing our new design; and,

FIG. 2 is a top and left side perspective view of the wheel shown in FIG. 1.

The broken line showing of environment is for illustrative purposes only and forms no part of the claimed design.

**1 Claim, 2 Drawing Sheets**

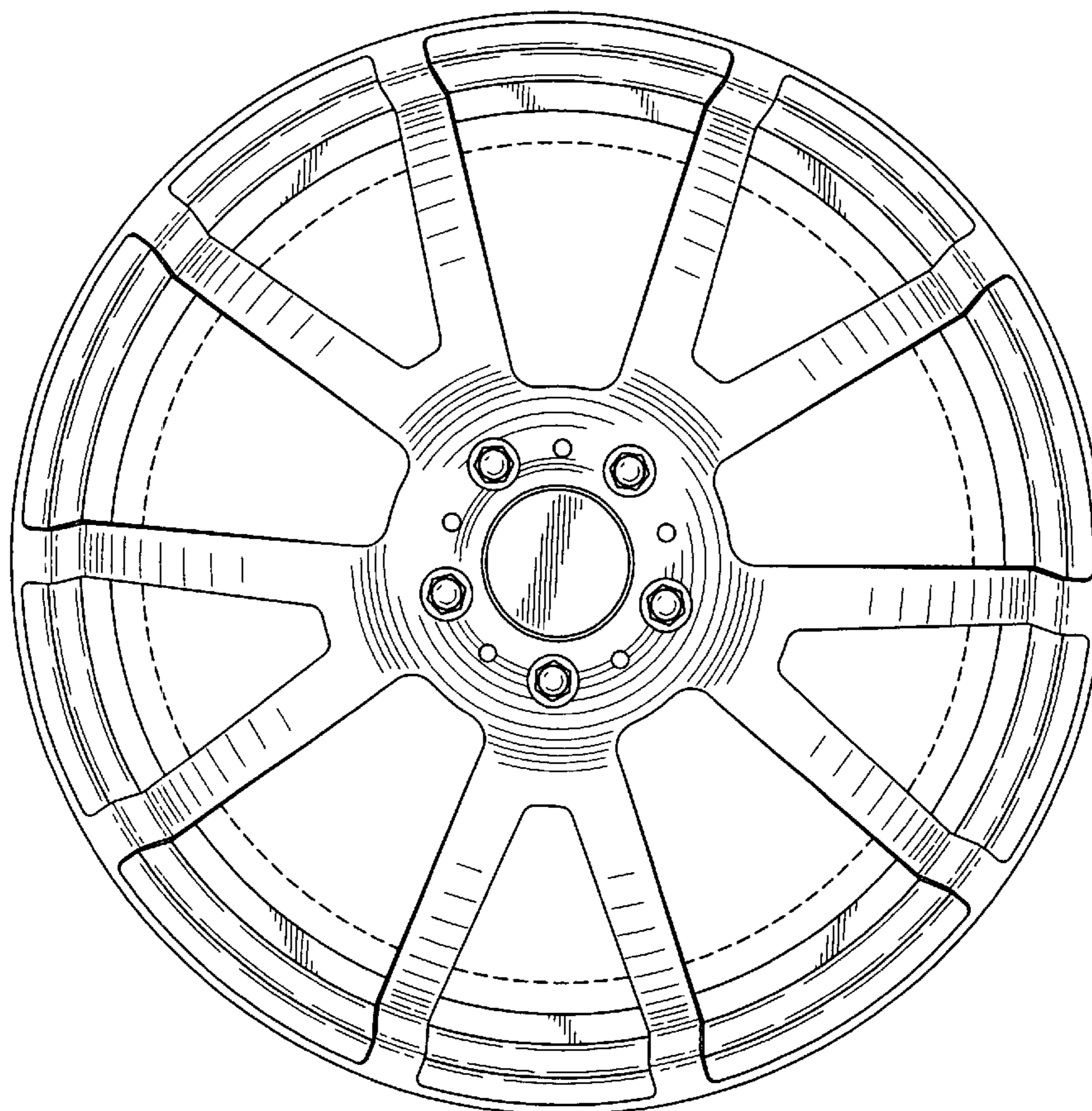


Fig. 1

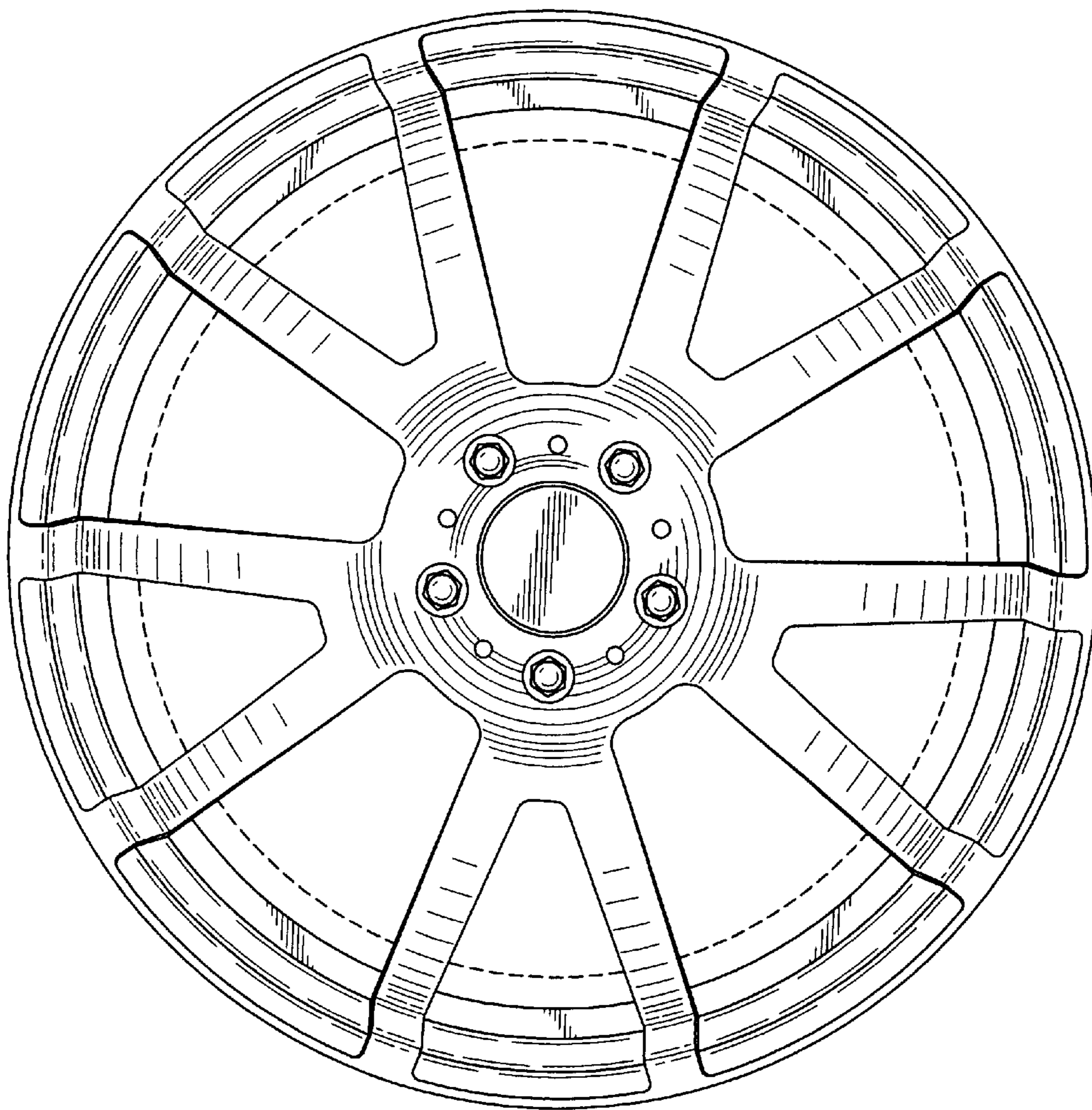


Fig. 2

