



US00D539722S

(12) **United States Design Patent**
Pfeiffer

(10) **Patent No.:** **US D539,722 S**

(45) **Date of Patent:** **** *Apr. 3, 2007**

(54) **FRONT FACE OF A VEHICLE WHEEL**

(75) Inventor: **Peter Pfeiffer**, Boeblingen (DE)

(73) Assignee: **DaimlerChrysler AG**, Stuttgart (DE)

(*) Notice: This patent is subject to a terminal disclaimer.

(**) Term: **14 Years**

(21) Appl. No.: **29/263,333**

(22) Filed: **Jul. 21, 2006**

(30) **Foreign Application Priority Data**

Apr. 3, 2006 (EM) 000506936

(51) **LOC (8) Cl.** **12-16**

(52) **U.S. Cl.** **D12/211**

(58) **Field of Classification Search** D12/204-213;
301/37.101, 64.101, 65

See application file for complete search history.

(56) **References Cited**

U.S. PATENT DOCUMENTS

D457,119 S * 5/2002 Braun et al. D12/211

D475,669 S * 6/2003 Boyer D12/209

D504,383 S * 4/2005 Pfeiffer D12/211

D507,775 S * 7/2005 Pfeiffer D12/211

D513,489 S * 1/2006 Momokawa D12/211

D520,434 S * 5/2006 Fahr-Becker D12/211

D520,933 S * 5/2006 Pfeiffer D12/211

D522,951 S * 6/2006 Pfeiffer D12/211

D525,184 S * 7/2006 Huet D12/211

D526,263 S * 8/2006 Brown D12/209

* cited by examiner

Primary Examiner—Stacia Cadmus

(74) *Attorney, Agent, or Firm*—Crowell & Moring LLP

(57) **CLAIM**

The ornamental design for a front face of a vehicle wheel, as shown and described.

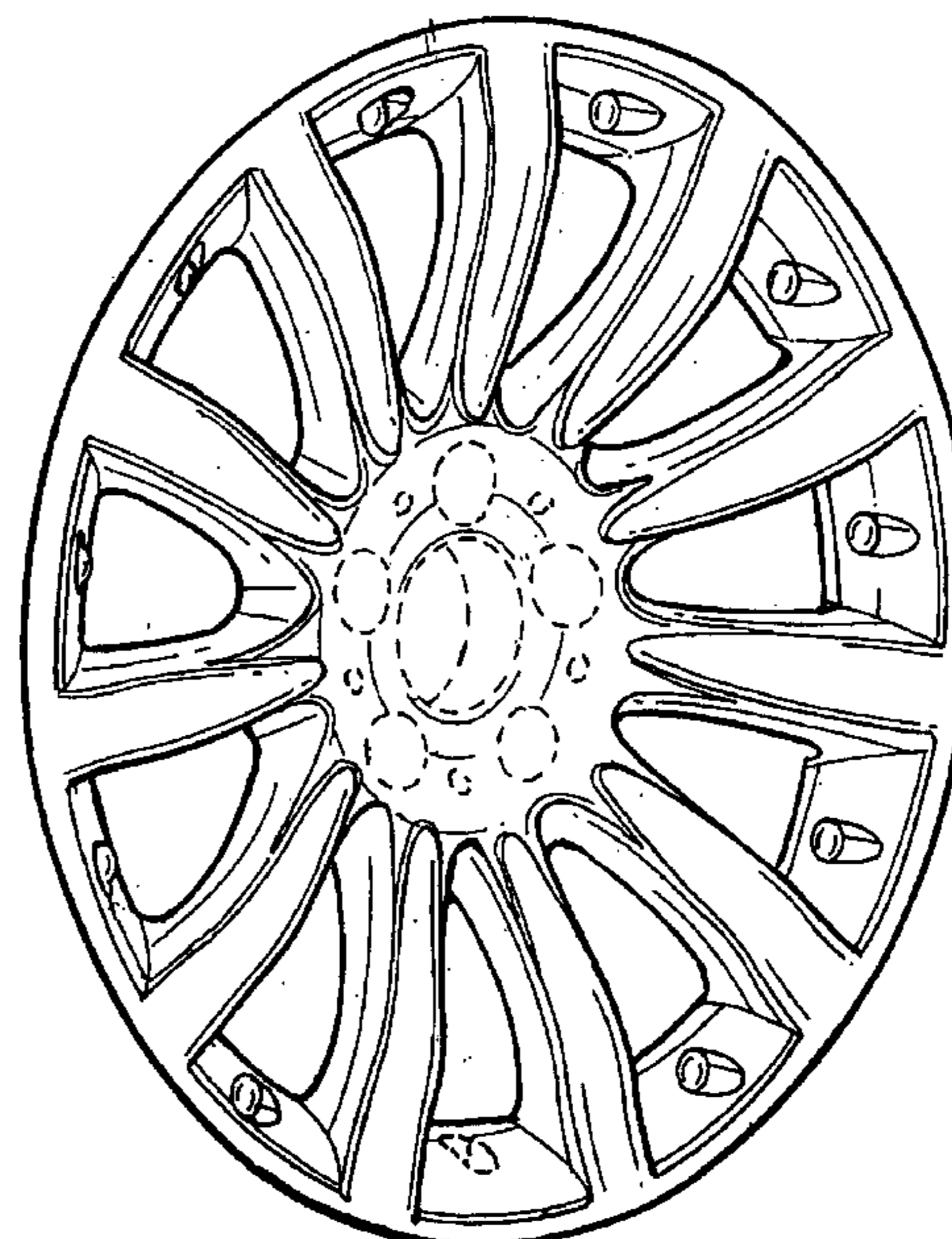
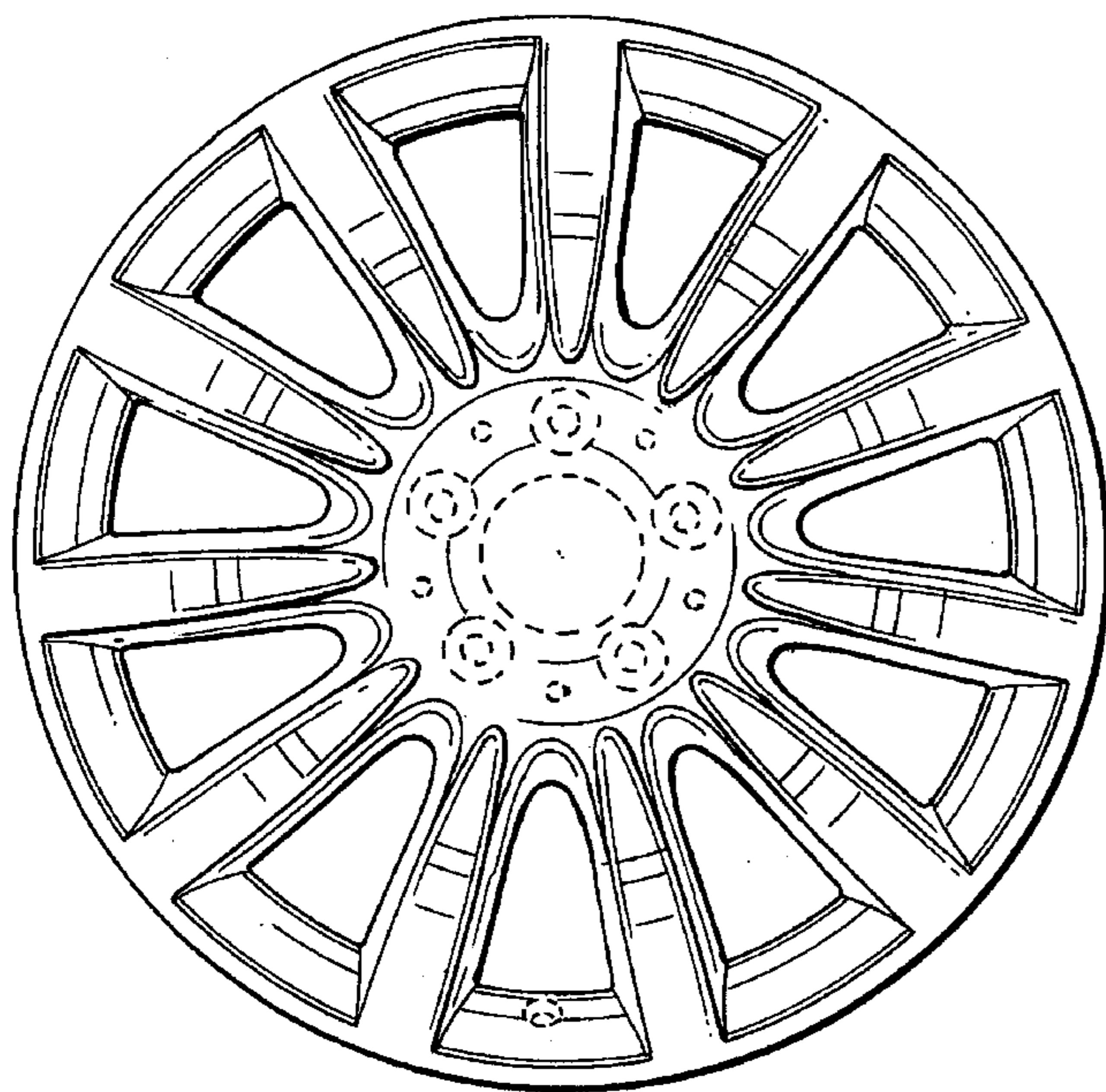
DESCRIPTION

FIG. 1 is a front view of a first embodiment of a front face of a vehicle wheel according to my novel design; and FIG. 2 is a perspective view thereof.

FIG. 3 is a front view of a second embodiment of the front face of a vehicle wheel according to my novel design; and, FIG. 4 is a perspective view thereof.

The broken lines are for illustrative purposes only and form no part of the claimed design.

1 Claim, 2 Drawing Sheets



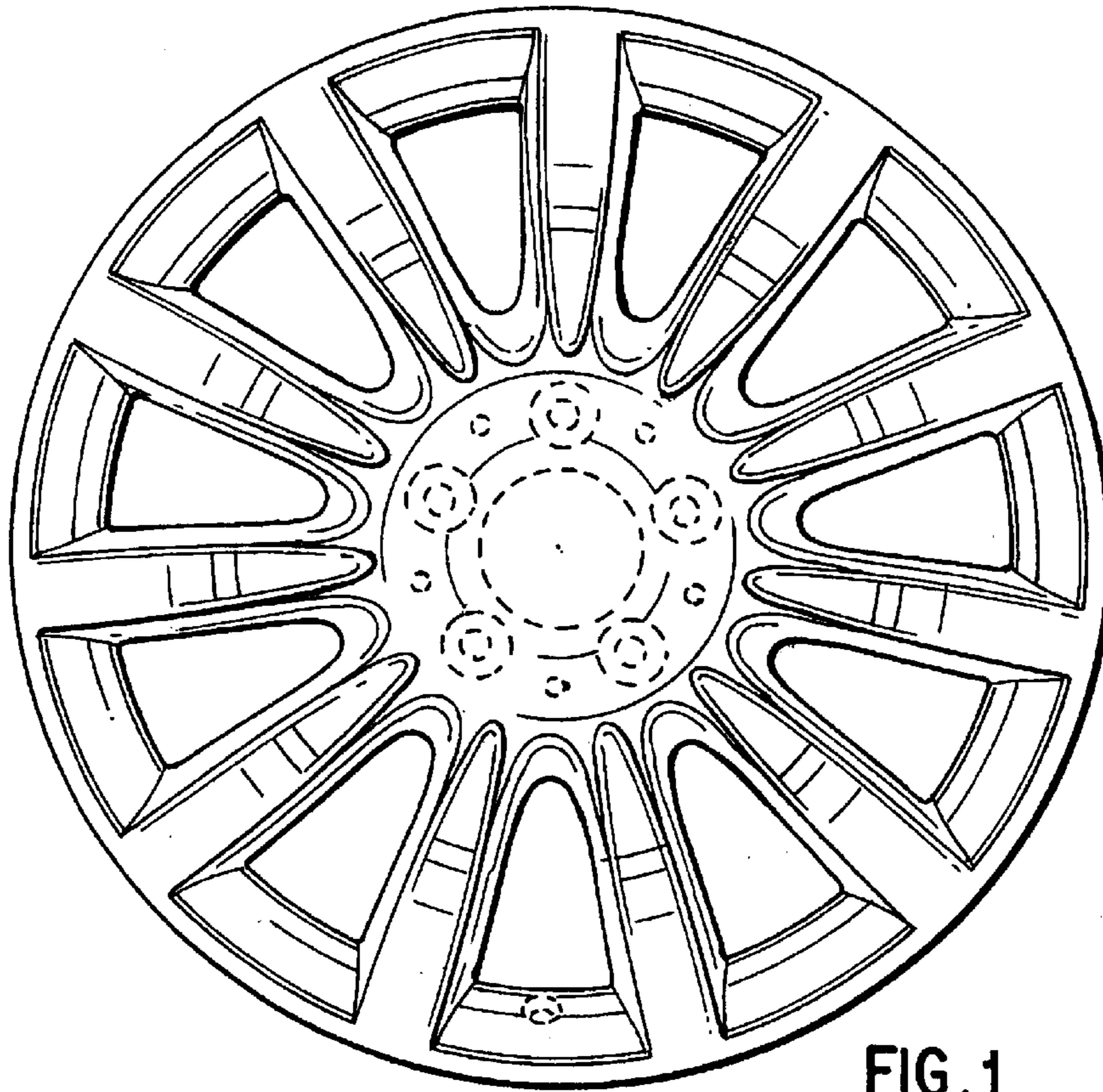


FIG. 1

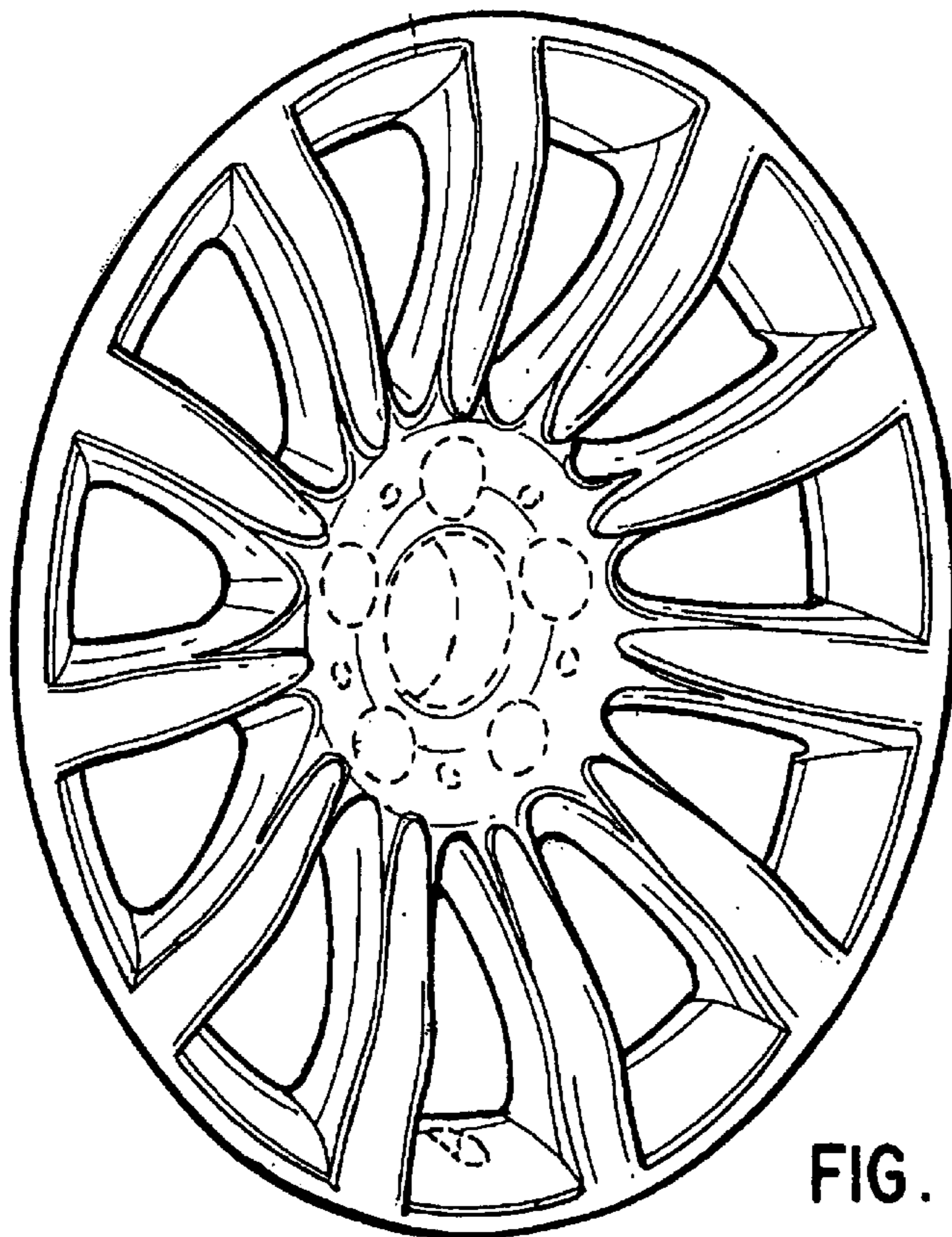


FIG. 2

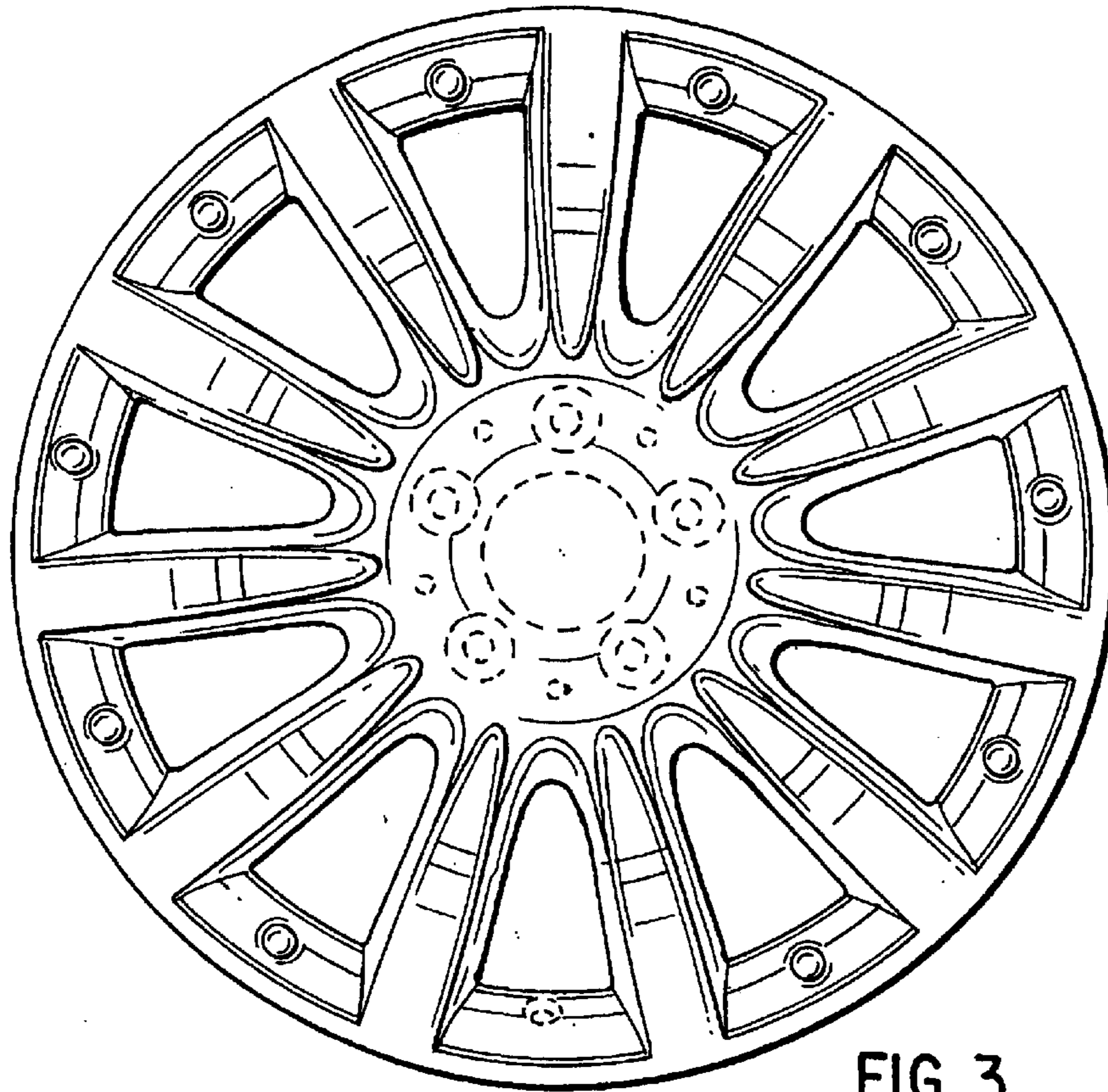


FIG. 3

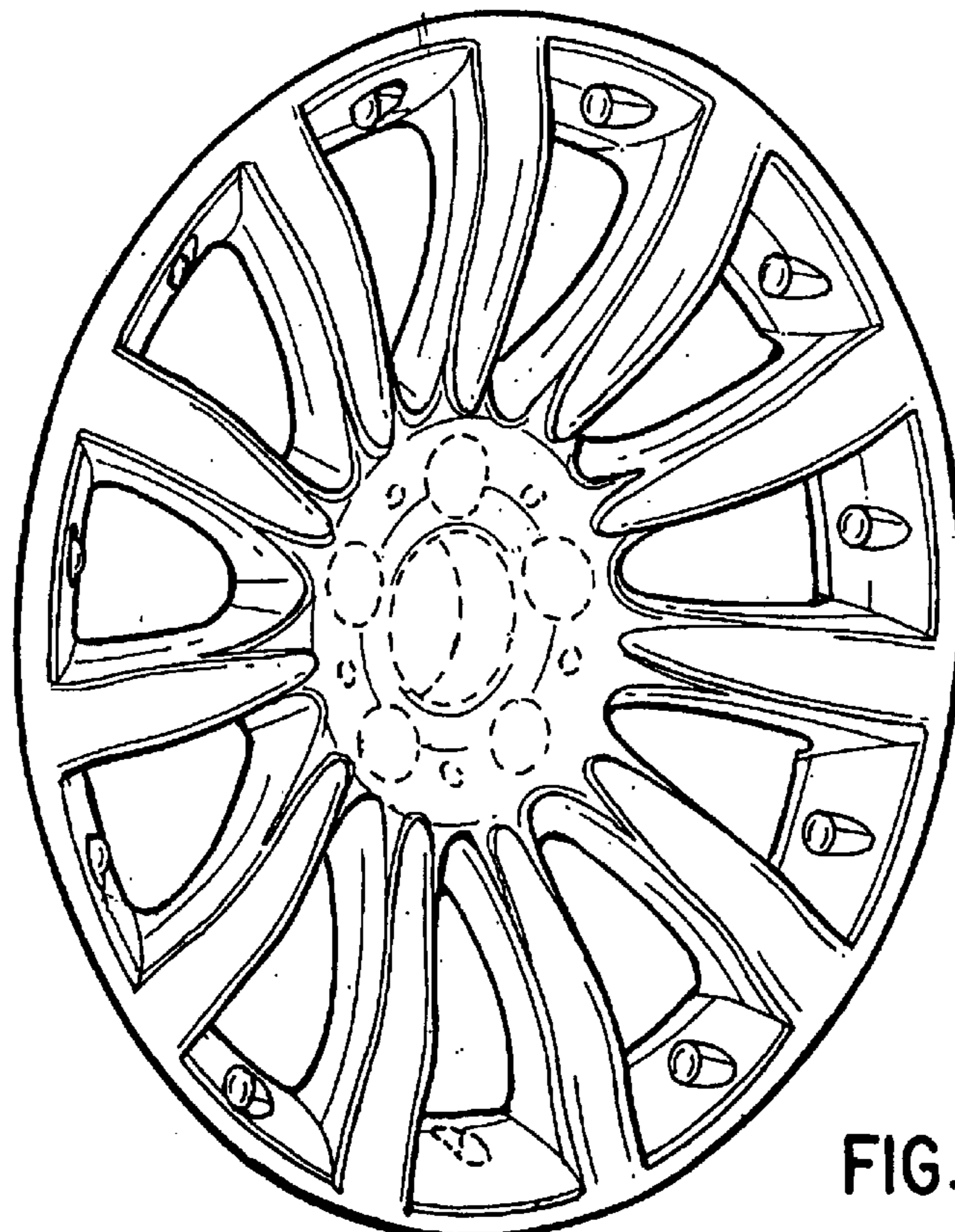


FIG. 4