



US00D539718S

(12) **United States Design Patent**
Asano

(10) **Patent No.:** **US D539,718 S**

(45) **Date of Patent:** **** Apr. 3, 2007**

(54) **BICYCLE HUB**

(75) Inventor: **Kensuke Asano**, Osaka (JP)

(73) Assignee: **Shimano Inc.**, Osaka (JP)

(**) Term: **14 Years**

(21) Appl. No.: **29/216,544**

(22) Filed: **Nov. 5, 2004**

(30) **Foreign Application Priority Data**

May 28, 2005 (JP) 2004-015852

(51) **LOC (8) Cl.** **12-16**

(52) **U.S. Cl.** **D12/207**

(58) **Field of Classification Search** D12/207-213;
301/37.101, 64.101, 65, 110.5, 55, 111.01,
301/104

See application file for complete search history.

(56) **References Cited**

U.S. PATENT DOCUMENTS

6,382,734 B1 * 5/2002 Passarotto 301/55

6,783,192 B2 * 8/2004 Meggiolan 301/110.5
2002/0109398 A1 * 8/2002 Meggiolan 301/110.5
2005/0067883 A1 * 3/2005 Meggiolan 301/110.5
2006/0006732 A1 * 1/2006 Fukui 301/110.5

* cited by examiner

Primary Examiner—Caron D. Veynar

Assistant Examiner—George D. Kirschbaum

(74) *Attorney, Agent, or Firm*—Global IP Counselors, LLP

(57) **CLAIM**

The ornamental design for a bicycle hub, as shown and described.

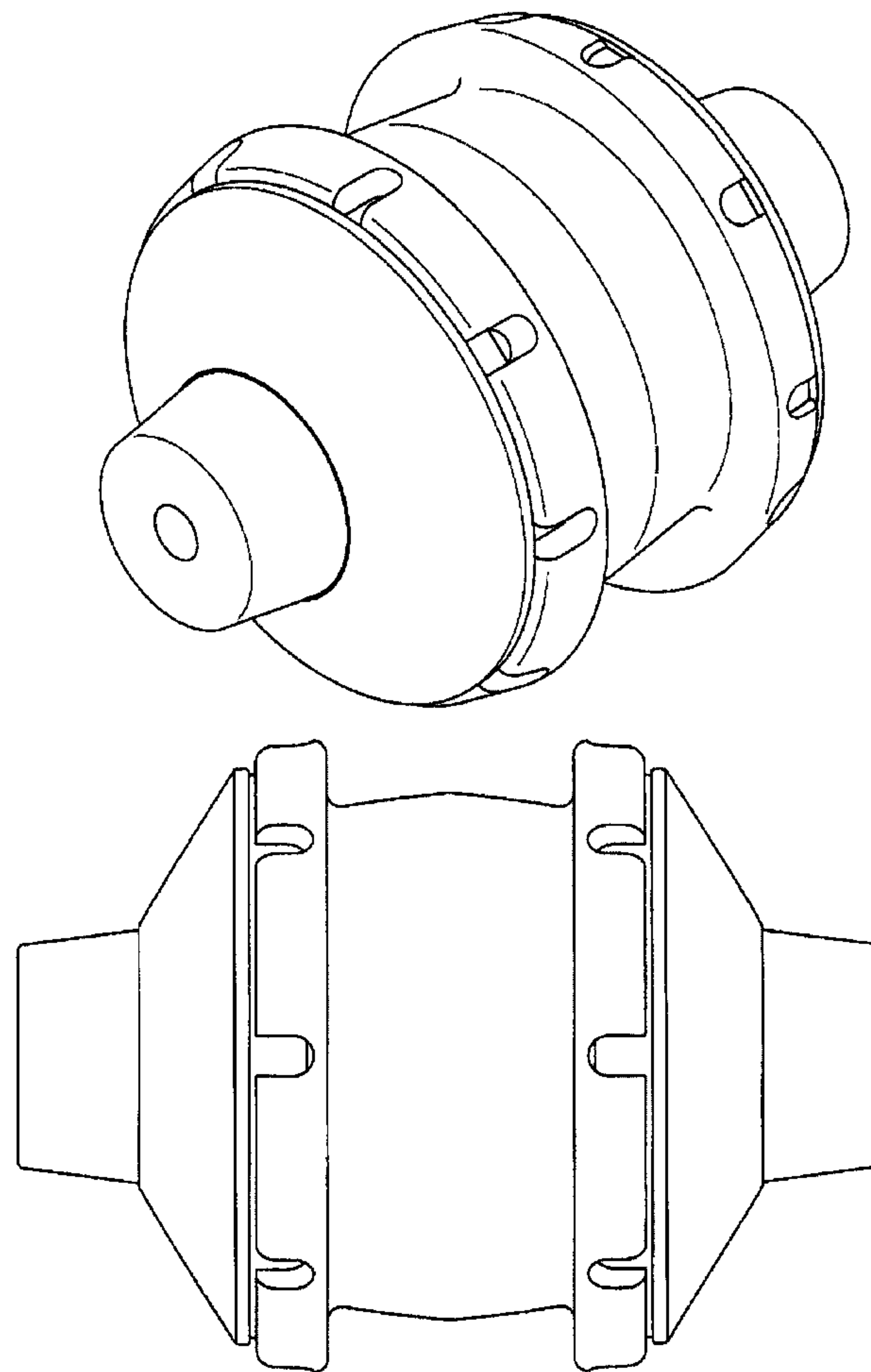
DESCRIPTION

FIG. 1 is a front side perspective view of a bicycle hub in accordance with my new design;

FIG. 2 is a front side elevational view of the bicycle hub in accordance with my new design, with the overall shape of the bicycle hub being axial symmetrical; and,

FIG. 3 is a right side end elevational view of the bicycle hub in accordance with my new design, with the left side end elevational view being identical.

1 Claim, 2 Drawing Sheets



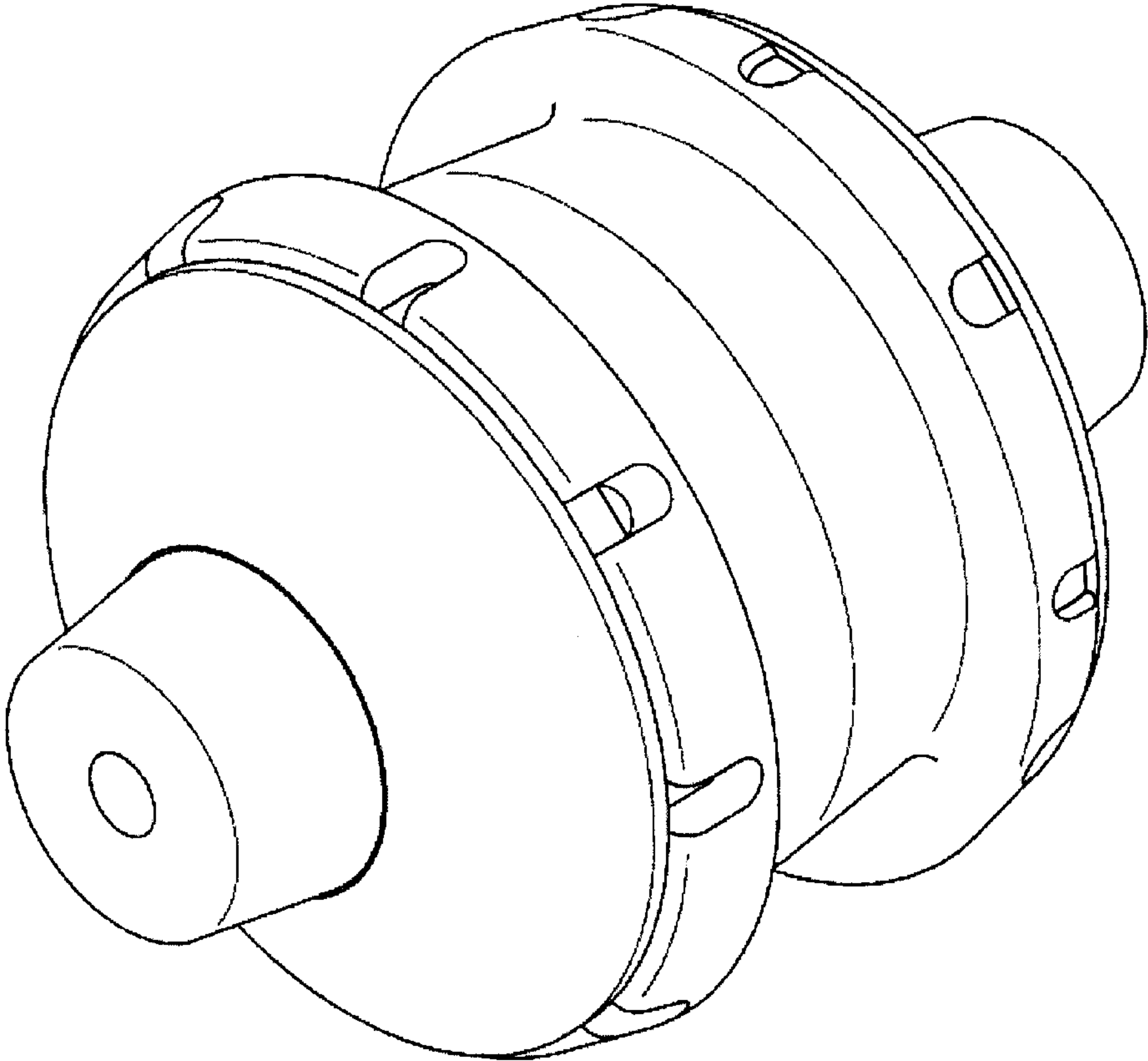


Fig. 1

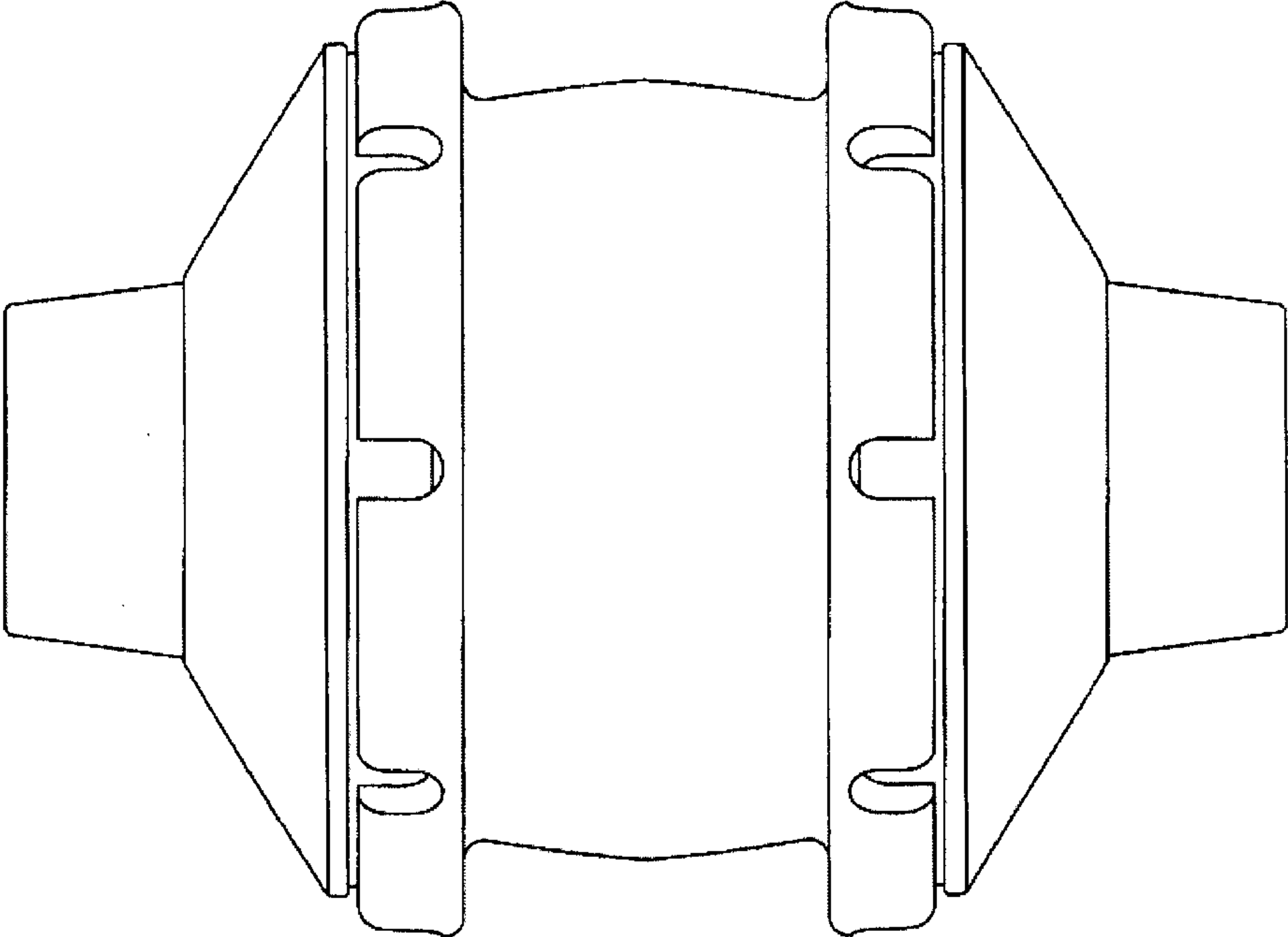


Fig. 2

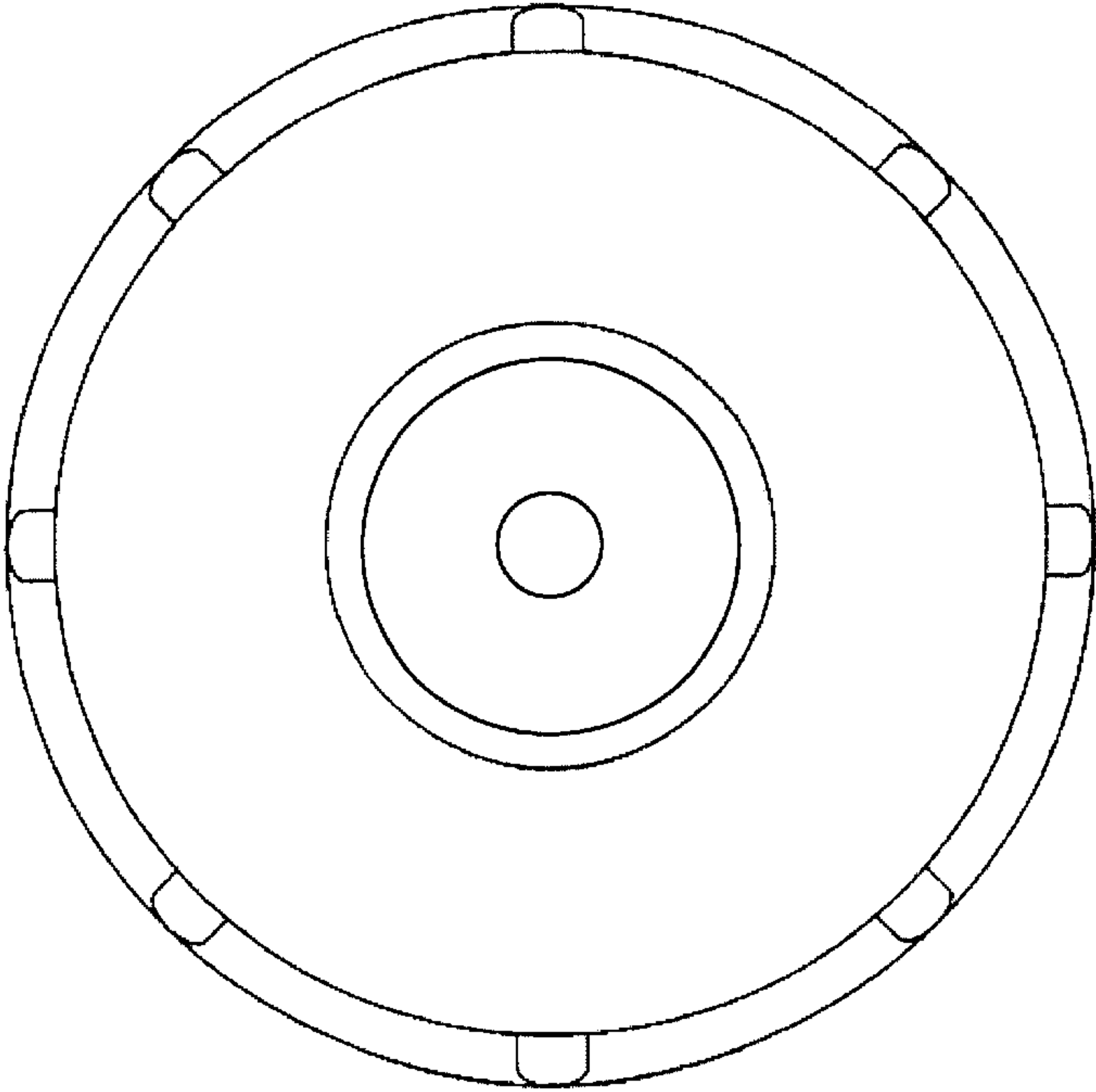


Fig. 3