



US00D539714S

(12) **United States Design Patent**
Toyama et al.

(10) **Patent No.:** **US D539,714 S**
(45) **Date of Patent:** **** Apr. 3, 2007**

(54) **INSTRUMENT PANEL FOR A AUTOMOBILE**

(75) Inventors: **Masaki Toyama**, Aichi-ken (JP);
Nobuo Nakamura, Aichi-ken (JP);
Junichi Hashiba, Aichi-ken (JP)

(73) Assignee: **Toyota Jidosha Kabushiki Kaisha** (JP)

(**) Term: **14 Years**

(21) Appl. No.: **29/223,566**

(22) Filed: **Feb. 15, 2005**

(30) **Foreign Application Priority Data**

Dec. 21, 2004 (JP) 2004-039012

(51) **LOC (8) Cl.** **12-16**

(52) **U.S. Cl.** **D12/192**

(58) **Field of Classification Search** D12/192,
D12/345, 317; 180/90; 280/750-752; 296/190.01-190.09,
296/70; D15/17, 28; D10/46, 98, 102-103;
362/482, 489; 73/431, 866.3

See application file for complete search history.

(56) **References Cited**

U.S. PATENT DOCUMENTS

D389,798 S * 1/1998 Ma et al. D12/192
D419,936 S * 2/2000 Sacco et al. D12/192
D439,211 S * 3/2001 Pfeiffer D12/192
D455,691 S * 4/2002 Okonkwo D12/192
D470,809 S * 2/2003 Asahi et al. D12/192

D489,301 S * 5/2004 Okonkwo D12/192
D492,631 S * 7/2004 Pfeiffer et al. D12/192
D492,632 S * 7/2004 Pfeiffer D12/192
D493,757 S * 8/2004 Pfeiffer D12/192
D499,998 S * 12/2004 Tanaka et al. D12/192
D501,811 S * 2/2005 Fukuda et al. D12/192
D504,369 S * 4/2005 Pfeiffer D12/192
D512,005 S * 11/2005 Seidel et al. D12/192

OTHER PUBLICATIONS

Mercedes-Benz, Mercedes-Benz E Class 2001, Imported Cars Guidebook, Oct. 24, 2001.

* cited by examiner

Primary Examiner—Stacia Cadmus

(74) *Attorney, Agent, or Firm*—SAIDMAN DesignLaw Group

(57) **CLAIM**

The ornamental design for an instrument panel for an automobile, as shown and described.

DESCRIPTION

FIG. 1 is a perspective view of an instrument panel for an automobile showing our new design;

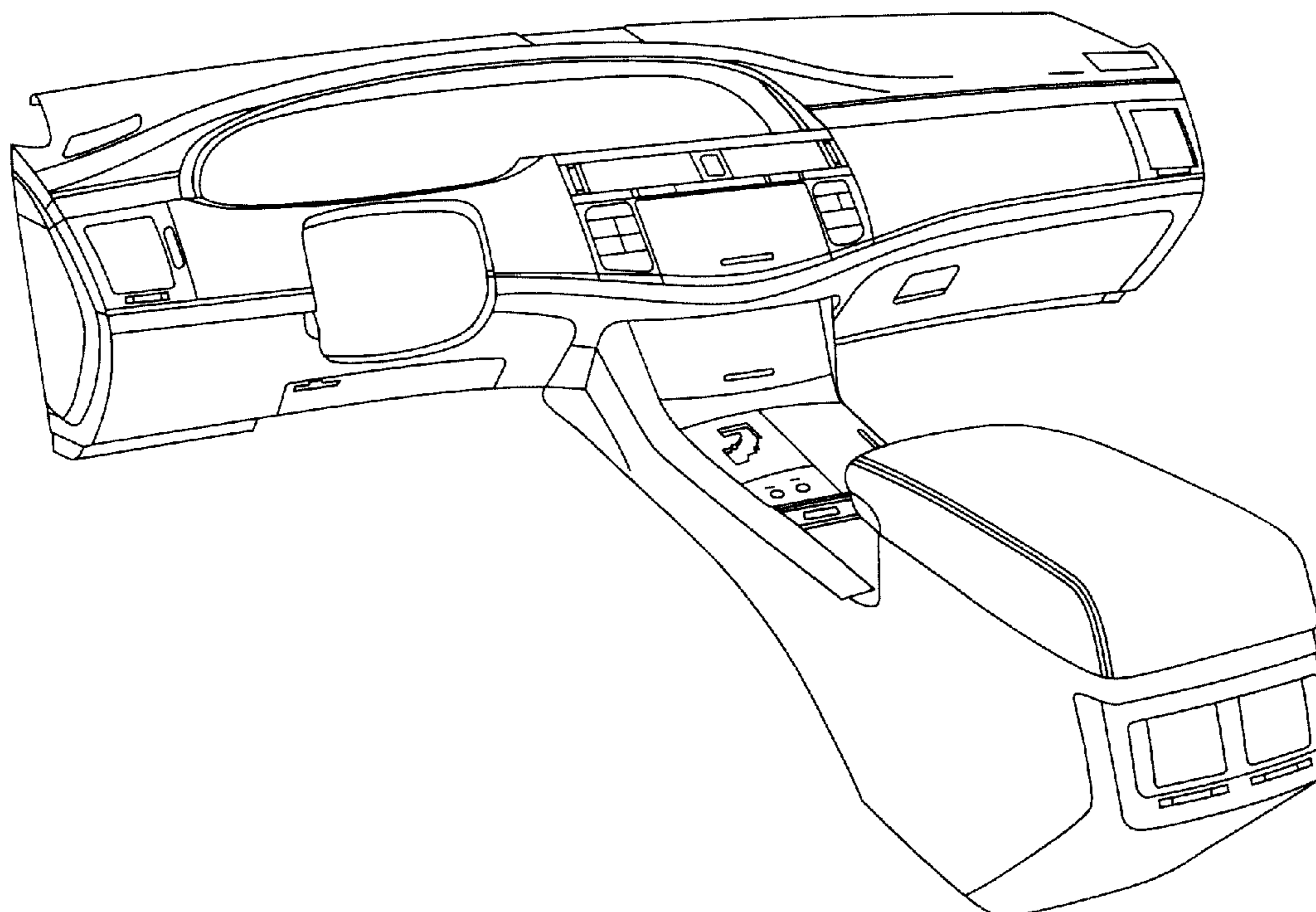
FIG. 2 is a front view thereof;

FIG. 3 is a top view thereof;

FIG. 4 is a right-side view thereof; and,

FIG. 5 is a left-side view thereof.

1 Claim, 4 Drawing Sheets



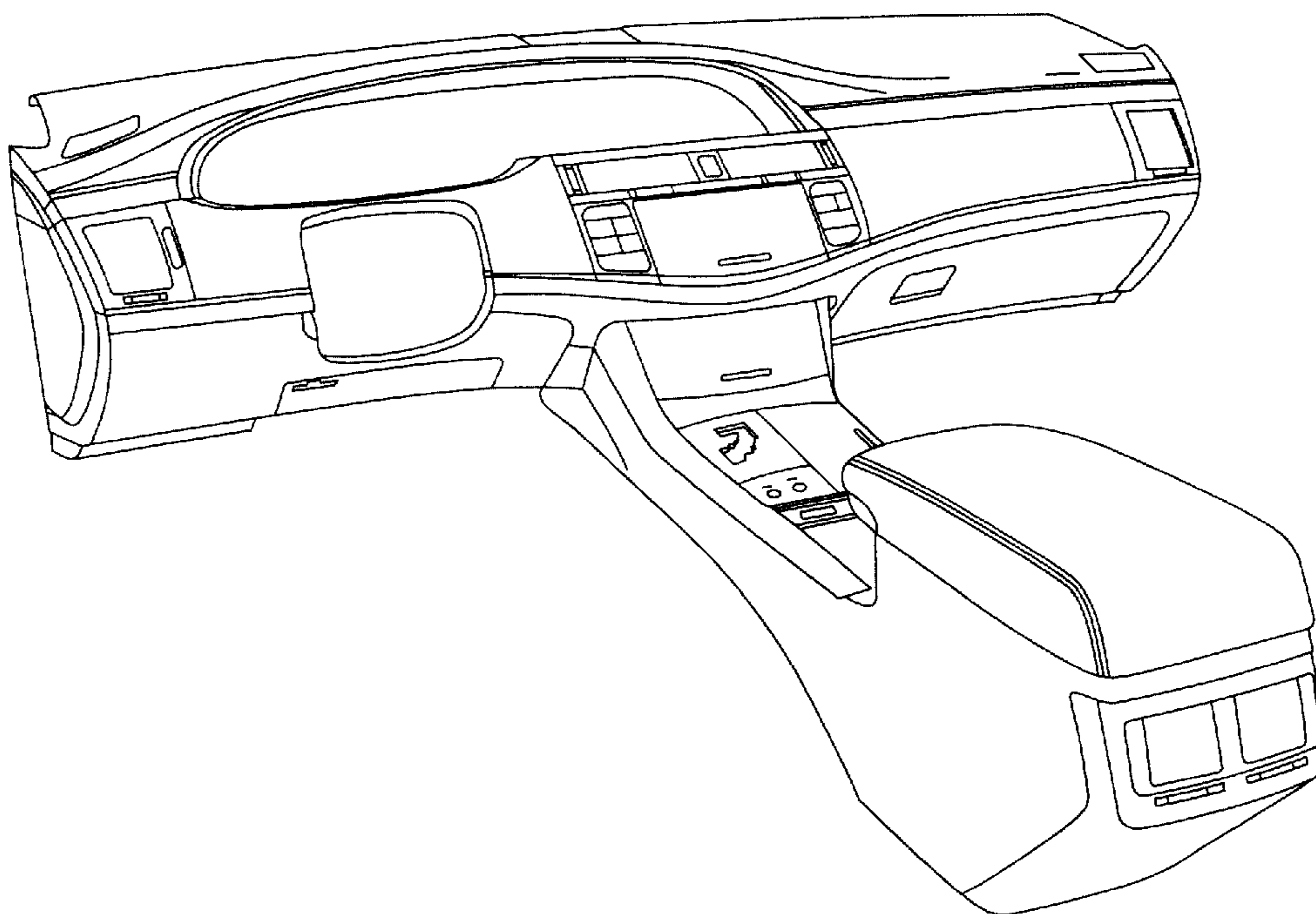


FIG. 1

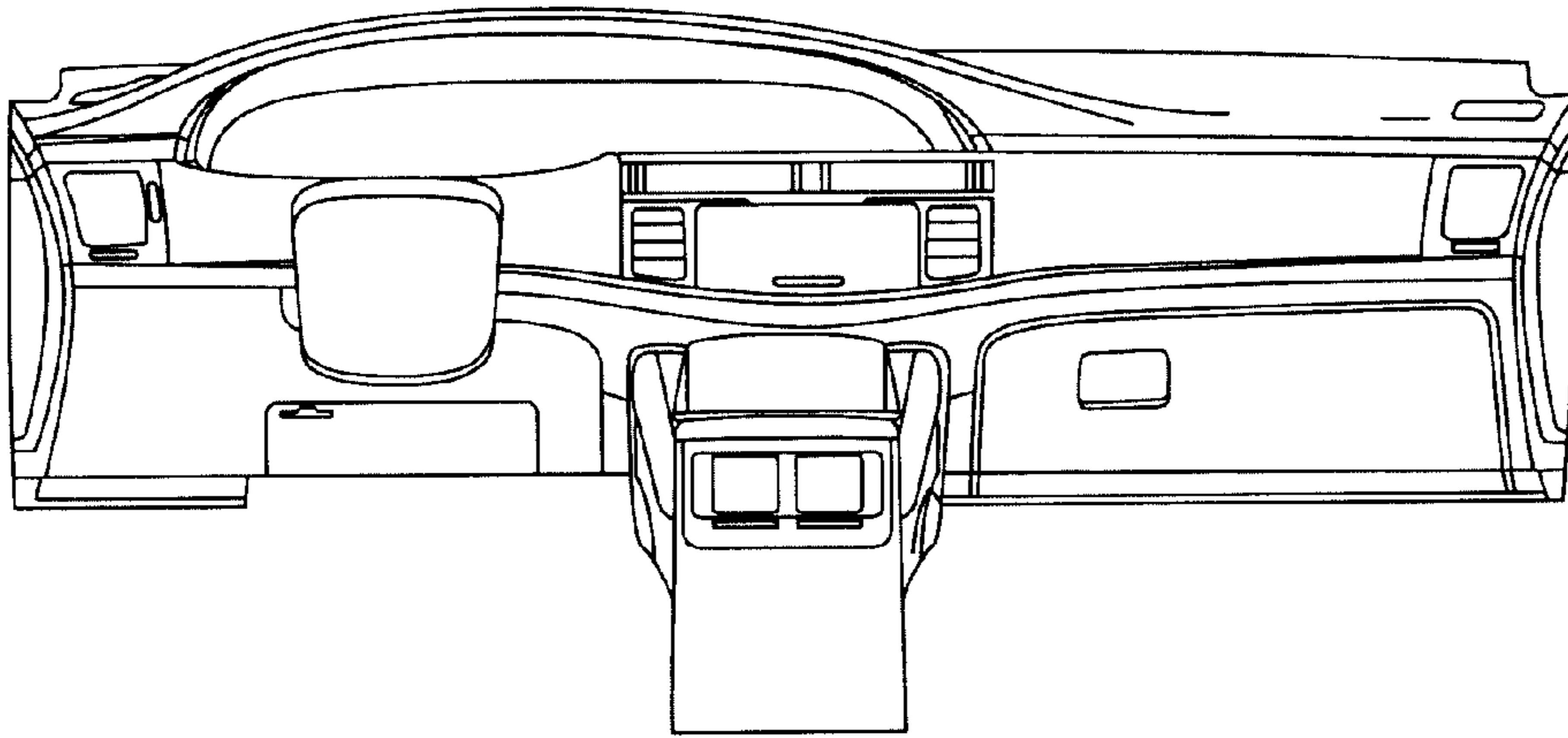


FIG. 2

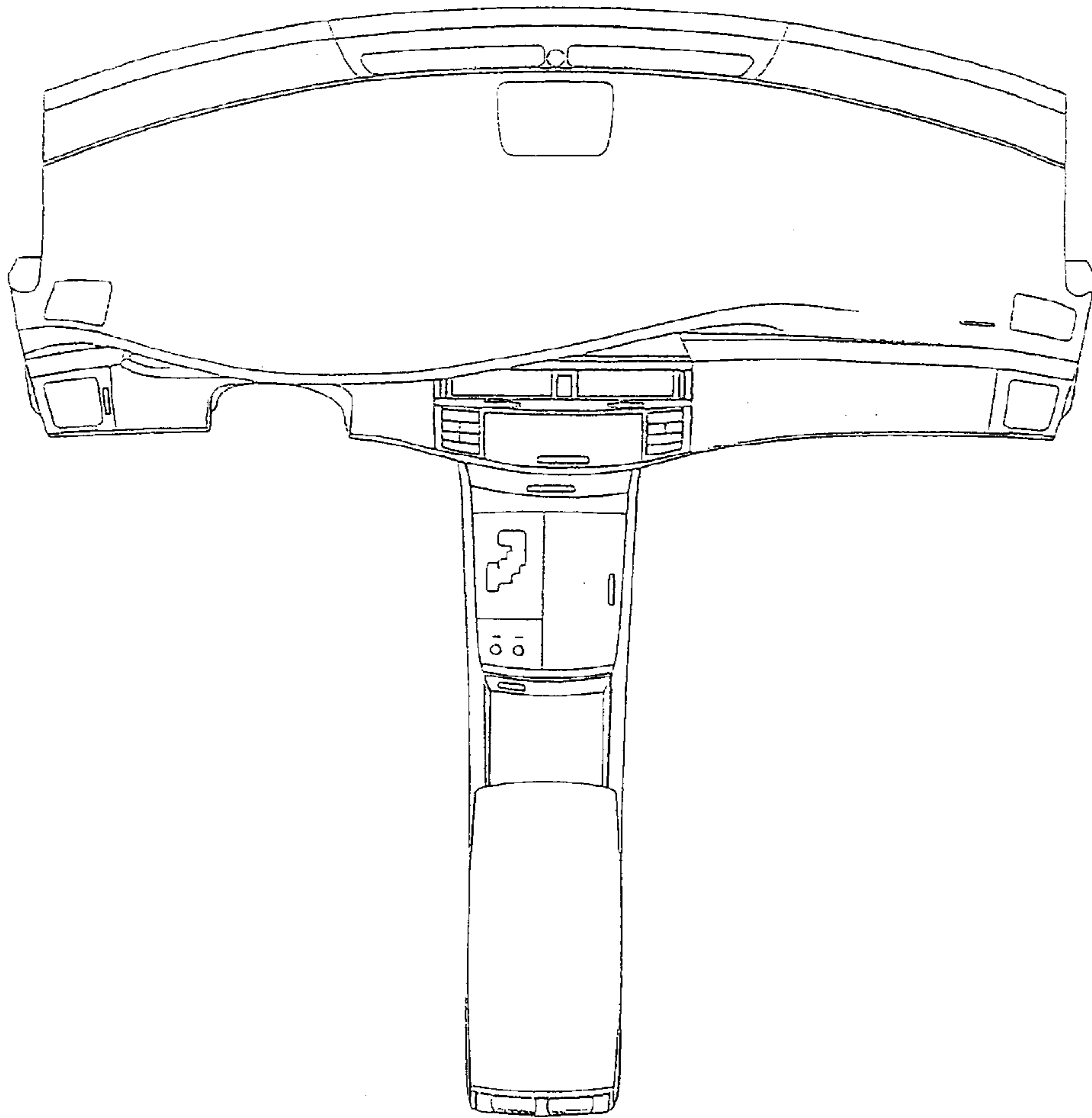


FIG. 3

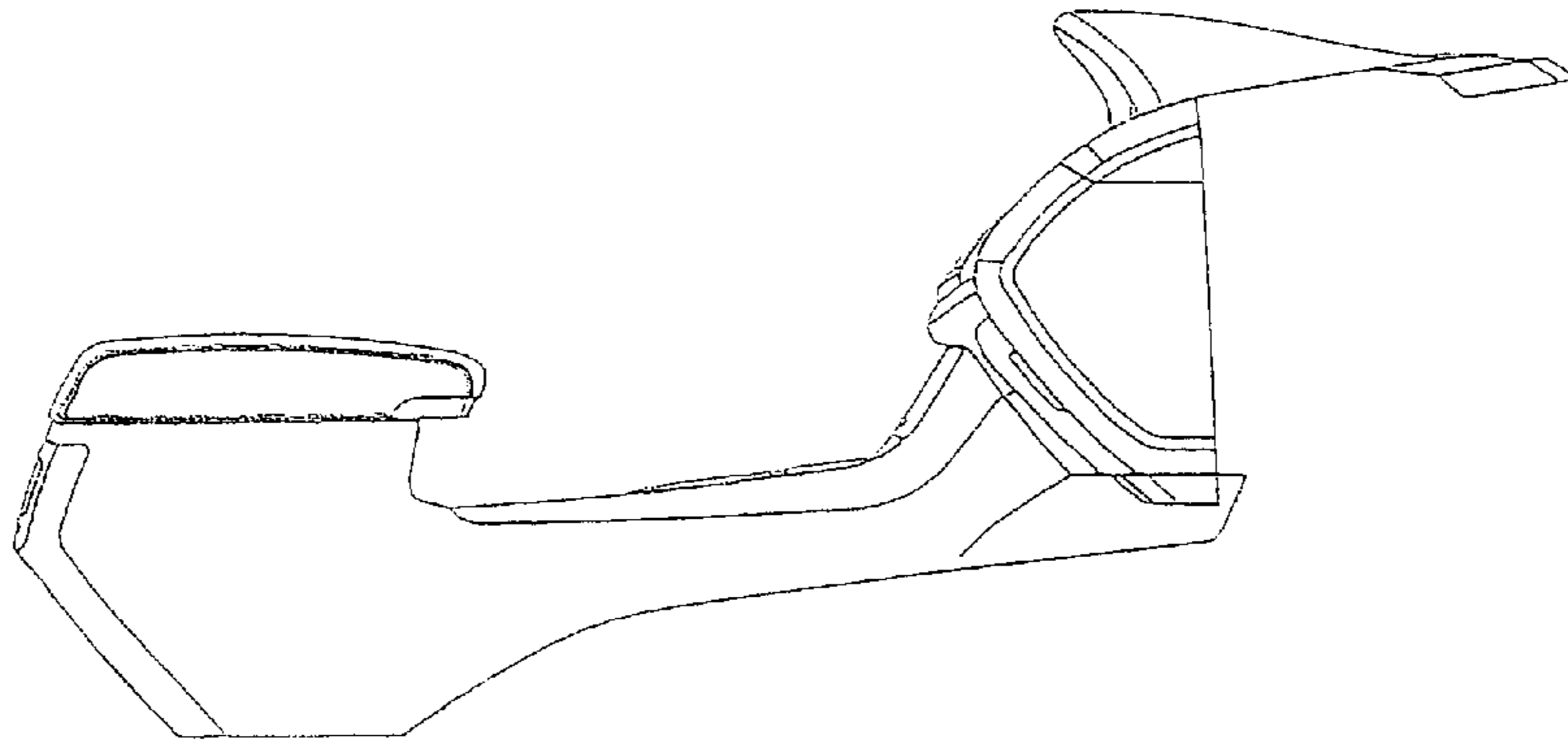


FIG. 4

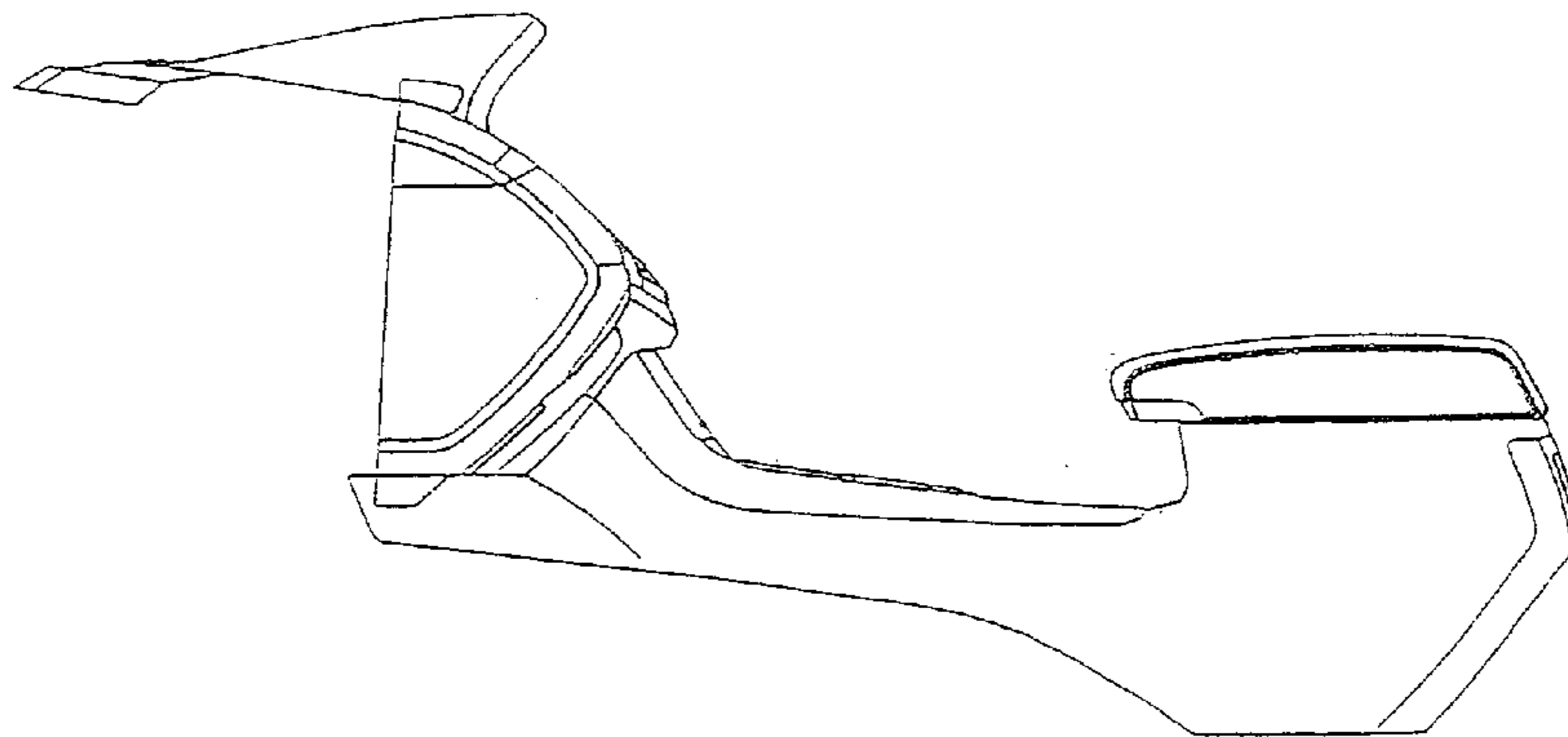


FIG. 5