

US00D539709S

(12) **United States Design Patent**  
**Woodhouse et al.**

(10) **Patent No.:** **US D539,709 S**

(45) **Date of Patent:** **\*\* Apr. 3, 2007**

(54) **AUTOMOTIVE GRILLE**

OTHER PUBLICATIONS

(75) Inventors: **David Woodhouse**, Newport Coast, CA (US); **Tyler Blake**, Rancho Santa Margarita, CA (US); **Freeman Thomas**, Laguna Beach, CA (US)

www.fordvehicles.com, Ford Vehicles: 2006 Ford Fusion, Photo Gallery, 28 pages.

\* cited by examiner

(73) Assignee: **Ford Global Technologies, LLC**, Dearborn, MI (US)

*Primary Examiner*—Melody N. Brown

(74) *Attorney, Agent, or Firm*—Frank A. MacKenzie; Brooks Kushman P.C.

(\*\*) Term: **14 Years**

(57) **CLAIM**

(21) Appl. No.: **29/251,416**

The ornamental design for an automotive grille, as shown and described.

(22) Filed: **Jan. 6, 2006**

**DESCRIPTION**

(51) **LOC (8) Cl.** ..... **12-16**

(52) **U.S. Cl.** ..... **D12/163**

(58) **Field of Classification Search** ..... D12/90–92,  
D12/86, 169, 196; 296/180.1, 180.2; 293/102,  
293/113, 115, 117, 120

See application file for complete search history.

FIG. 1 is a right side perspective view of an automotive grille in accordance with the present invention, wherein a left side perspective view is a mirror image thereof;

FIG. 2 is a front elevation view of the automotive grille of FIG. 1;

FIG. 3 is right side elevation view of the automotive grille of FIG. 1, wherein a left side elevation view is a mirror image thereof; and,

FIG. 4 is a top/front perspective view of a left portion of the automotive grille of FIG. 1, wherein a top/front perspective view of a right portion of the automotive grille of FIG. 1 is a mirror image thereof.

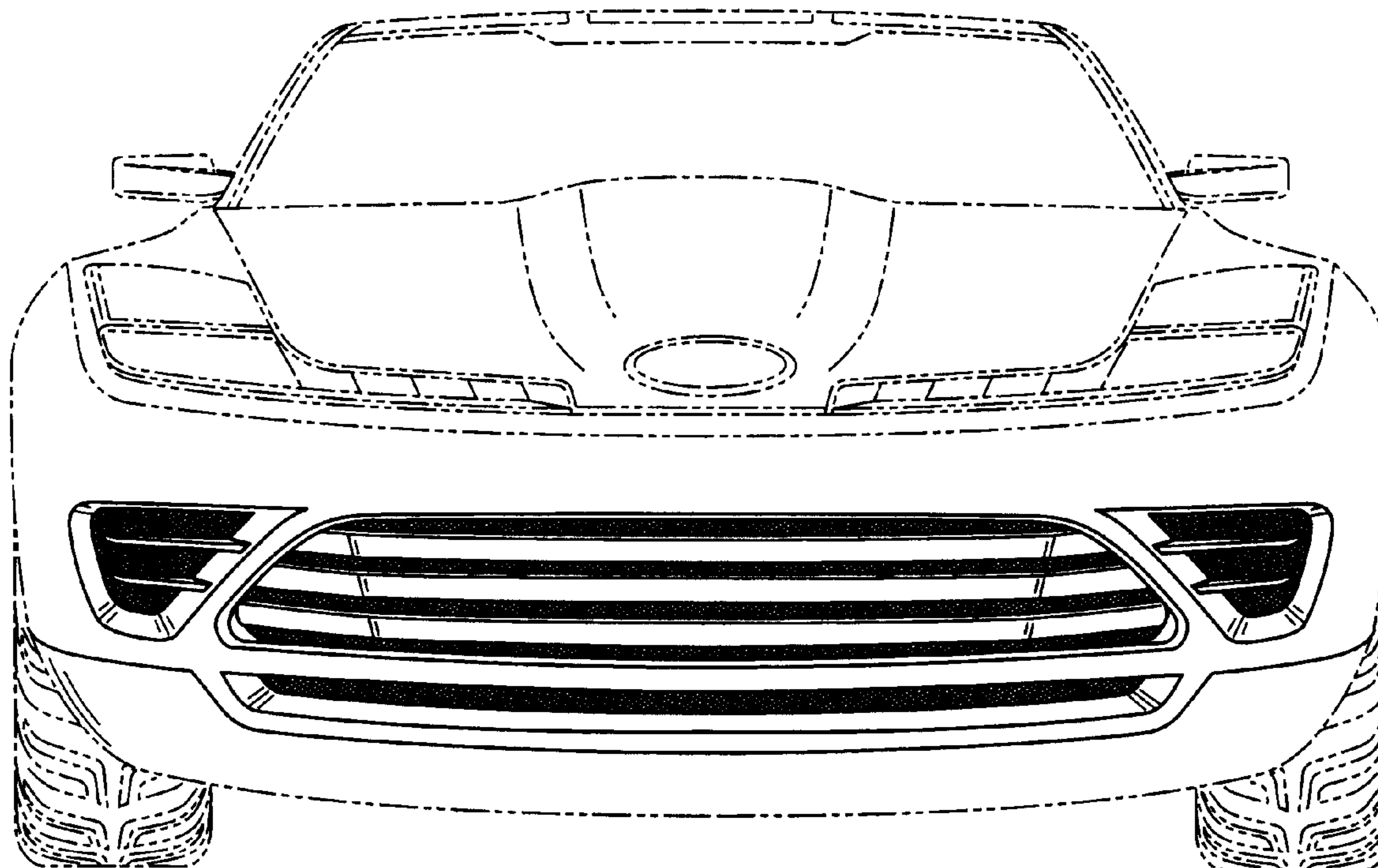
The broken lines are for illustrative purposes only and form no part of the claimed design.

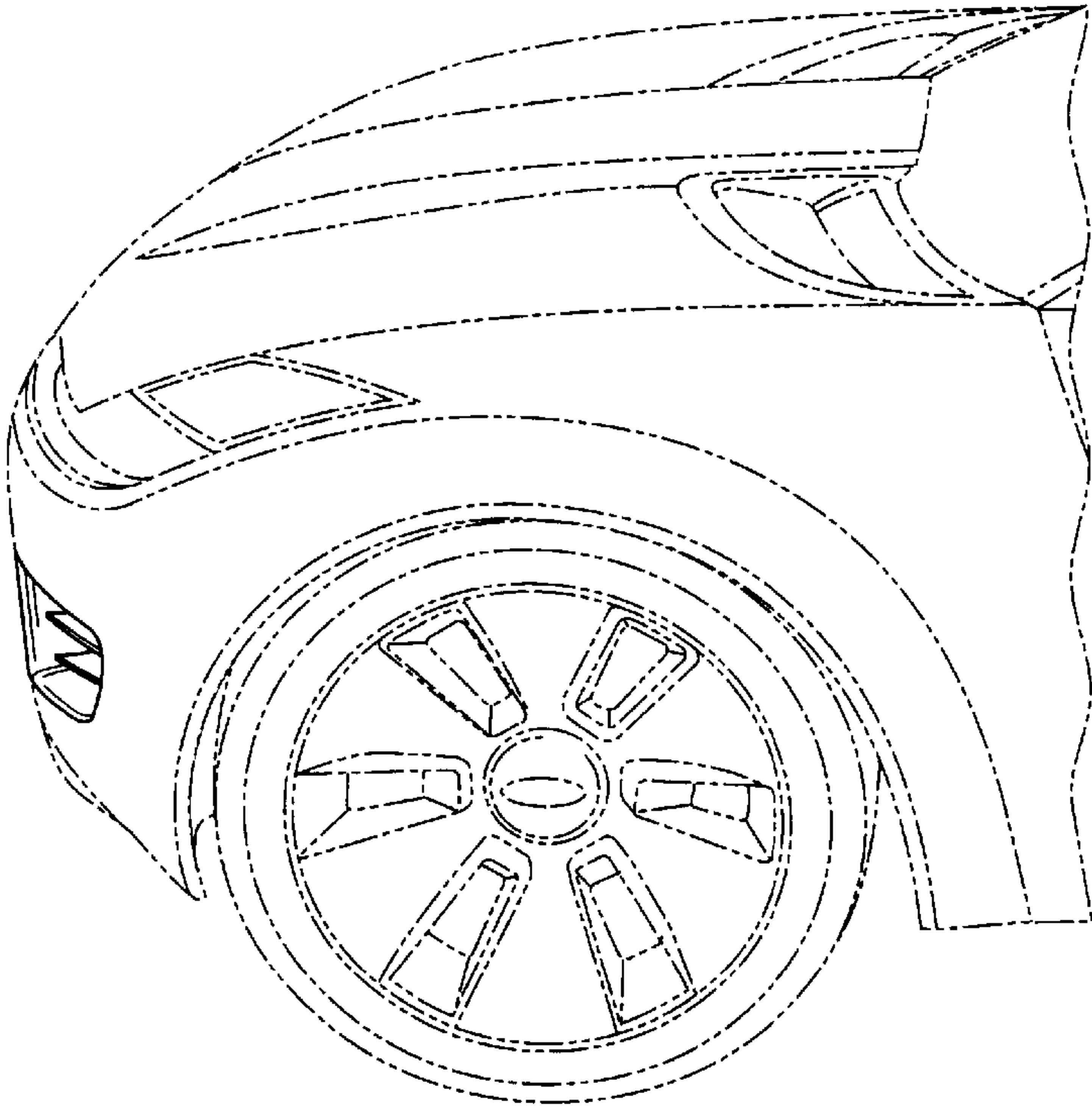
(56) **References Cited**

U.S. PATENT DOCUMENTS

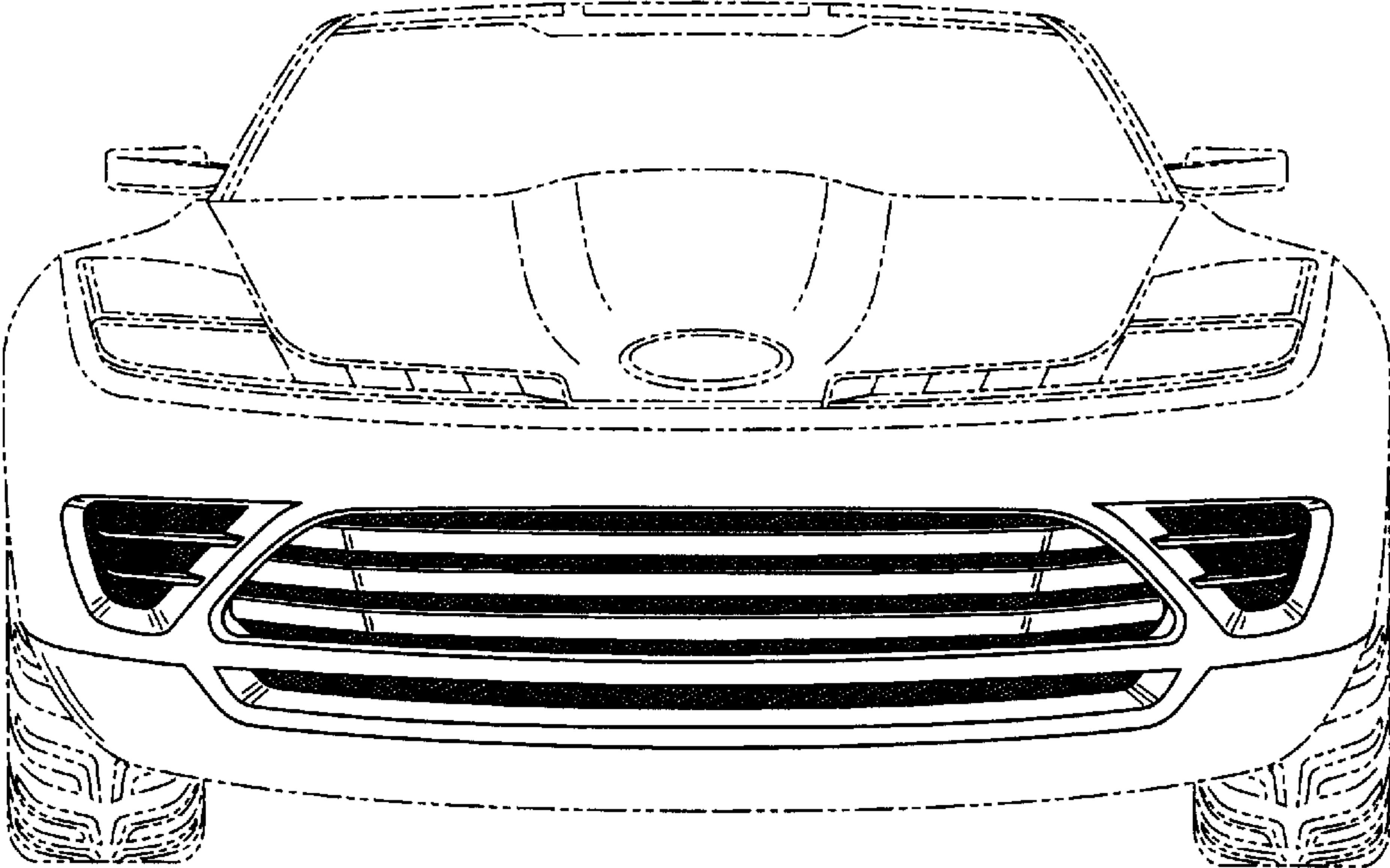
D285,299 S	*	8/1986	Wardle et al.	.....	D12/163
D471,846 S	*	3/2003	Pfeiffer et al.	.....	D12/163
D475,955 S	*	6/2003	Leazenby	.....	D12/163
D500,000 S		12/2004	Dyson et al.		
D515,990 S	*	2/2006	Nakamura	.....	D12/169
D525,180 S	*	7/2006	Konaka	.....	D12/169
D526,254 S	*	8/2006	Sowa	.....	D12/169

**1 Claim, 2 Drawing Sheets**

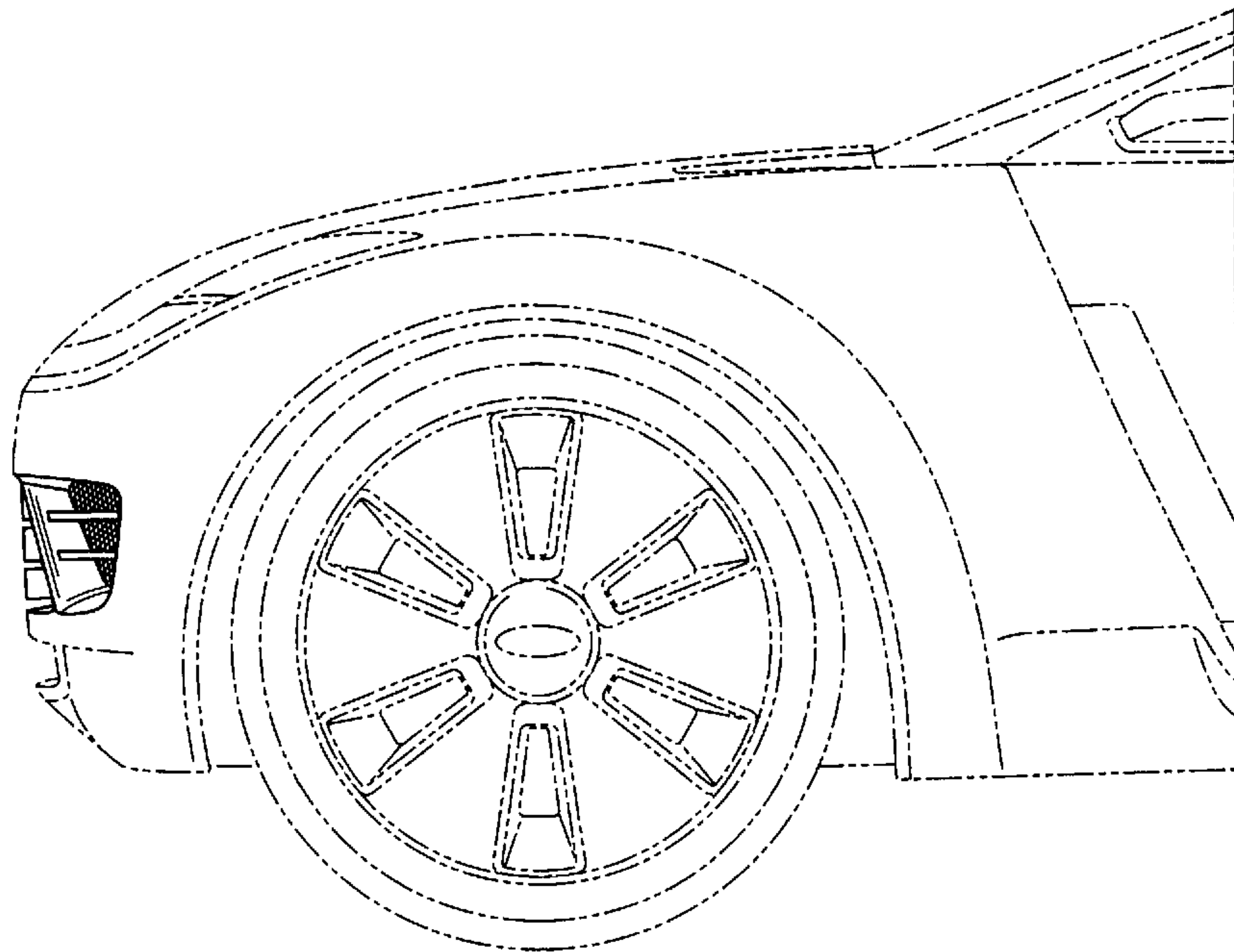




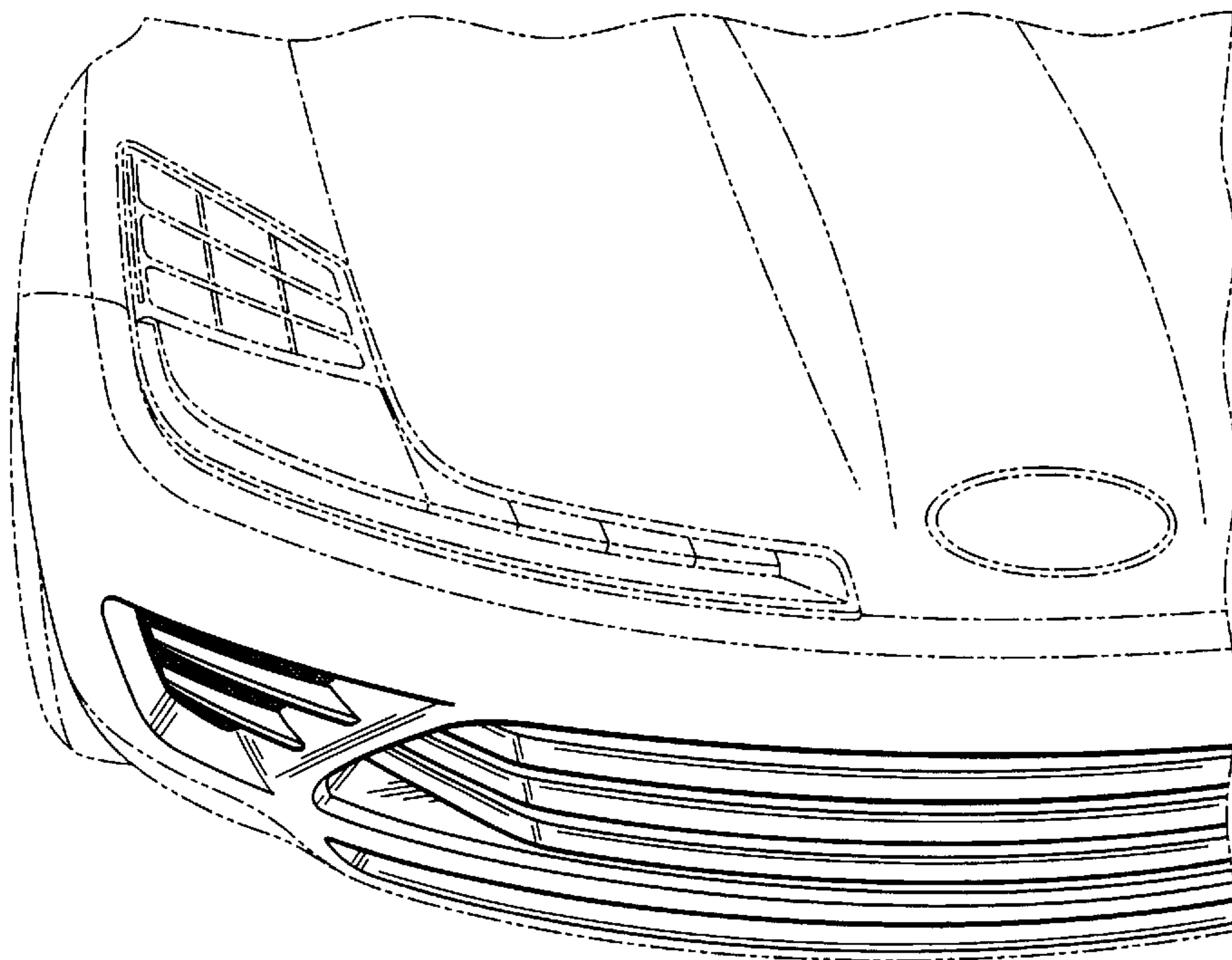
*Fig. 1*



*Fig. 2*



*Fig. 3*



*Fig. 4*