



US00D539705S

(12) **United States Design Patent**
Ichikawa et al.

(10) **Patent No.:** **US D539,705 S**
(45) **Date of Patent:** **** Apr. 3, 2007**

(54) **AUTOMOBILE**

(75) Inventors: **Manabu Ichikawa**, Saitama (JP);
Takatsugu Kido, Saitama (JP)

(73) Assignee: **Honda Giken Kogyo Kabushiki**
Kaisha, Tokyo (JP)

(**) Term: **14 Years**

(21) Appl. No.: **29/178,622**

(22) Filed: **Mar. 31, 2003**

(51) **LOC (8) Cl.** **12-11**

(52) **U.S. Cl.** **D12/107**

(58) **Field of Classification Search** D12/3,
D12/86, 107, 121; 180/225, 229, 233, 311,
180/312, 315

See application file for complete search history.

(56) **References Cited**

U.S. PATENT DOCUMENTS

D428,363 S * 7/2000 Sugimoto et al. D12/107
D429,663 S * 8/2000 Tamashima et al. D12/107

FOREIGN PATENT DOCUMENTS

JP 1089557 8/2000
JP 1124705 10/2001
JP 1124713 10/2001

OTHER PUBLICATIONS

Notification of Refusal Reasons dated Jan. 16, 2004.

Notification of Refusal Reasons dated Jan. 15, 2003.

* cited by examiner

Primary Examiner—Alan P. Douglas

Assistant Examiner—Linda Brooks

(74) *Attorney, Agent, or Firm*—Westerman, Hattori,
Daniels & Adrian, LLP

(57) **CLAIM**

The ornamental design for an automobile, as shown and described.

DESCRIPTION

FIG. 1 is a front elevation view of automobile, showing our new design;

FIG. 2 is a rear elevation view thereof;

FIG. 3 is a top plan view thereof;

FIG. 4 is a right side elevation view thereof;

FIG. 5 is a left side elevation view thereof;

FIG. 6 is a front right perspective view thereof;

FIG. 7 is a front left perspective view thereof;

FIG. 8 is a rear right perspective view thereof; and,

FIG. 9 is a rear left perspective view thereof.

1 Claim, 9 Drawing Sheets

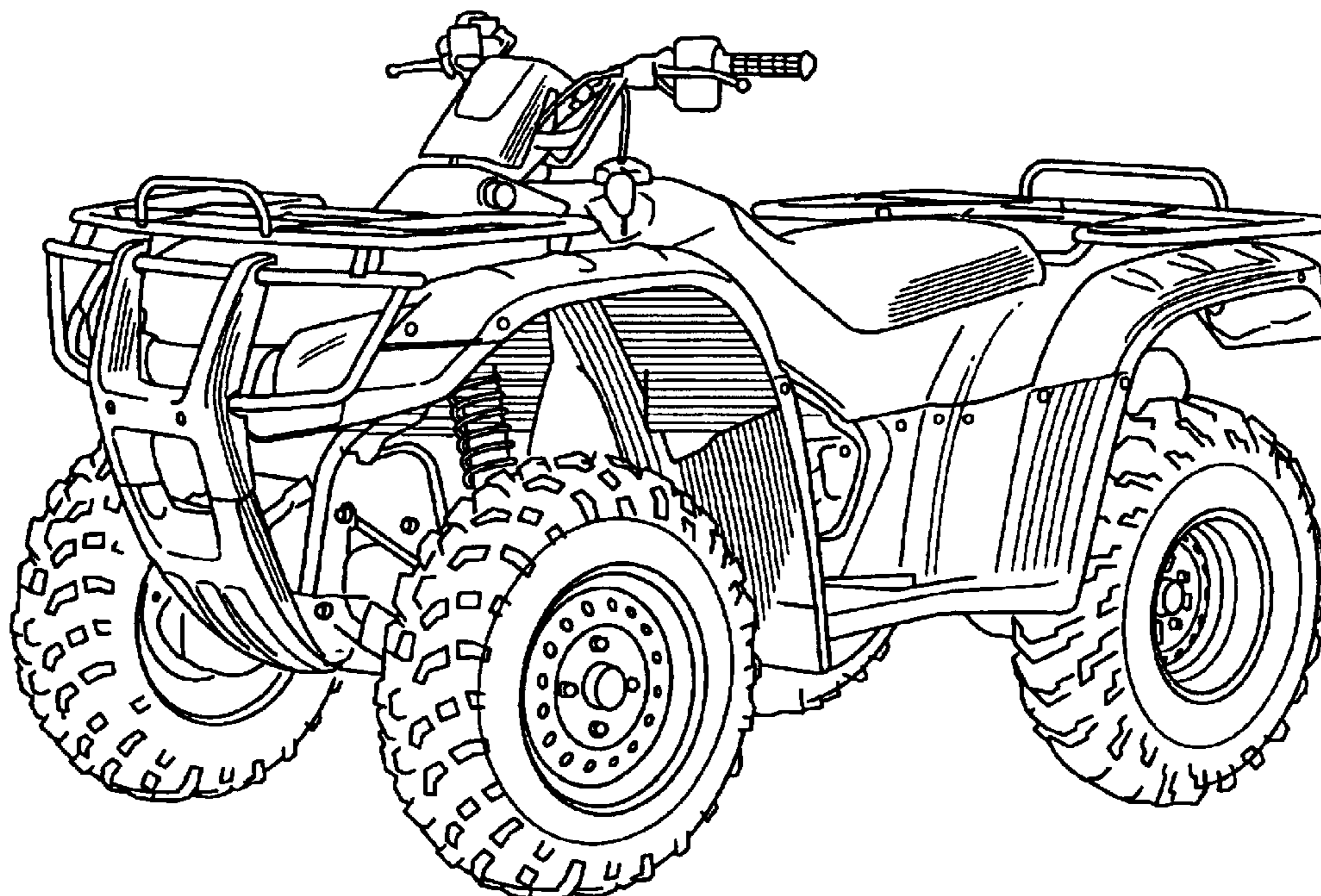


Fig. 1

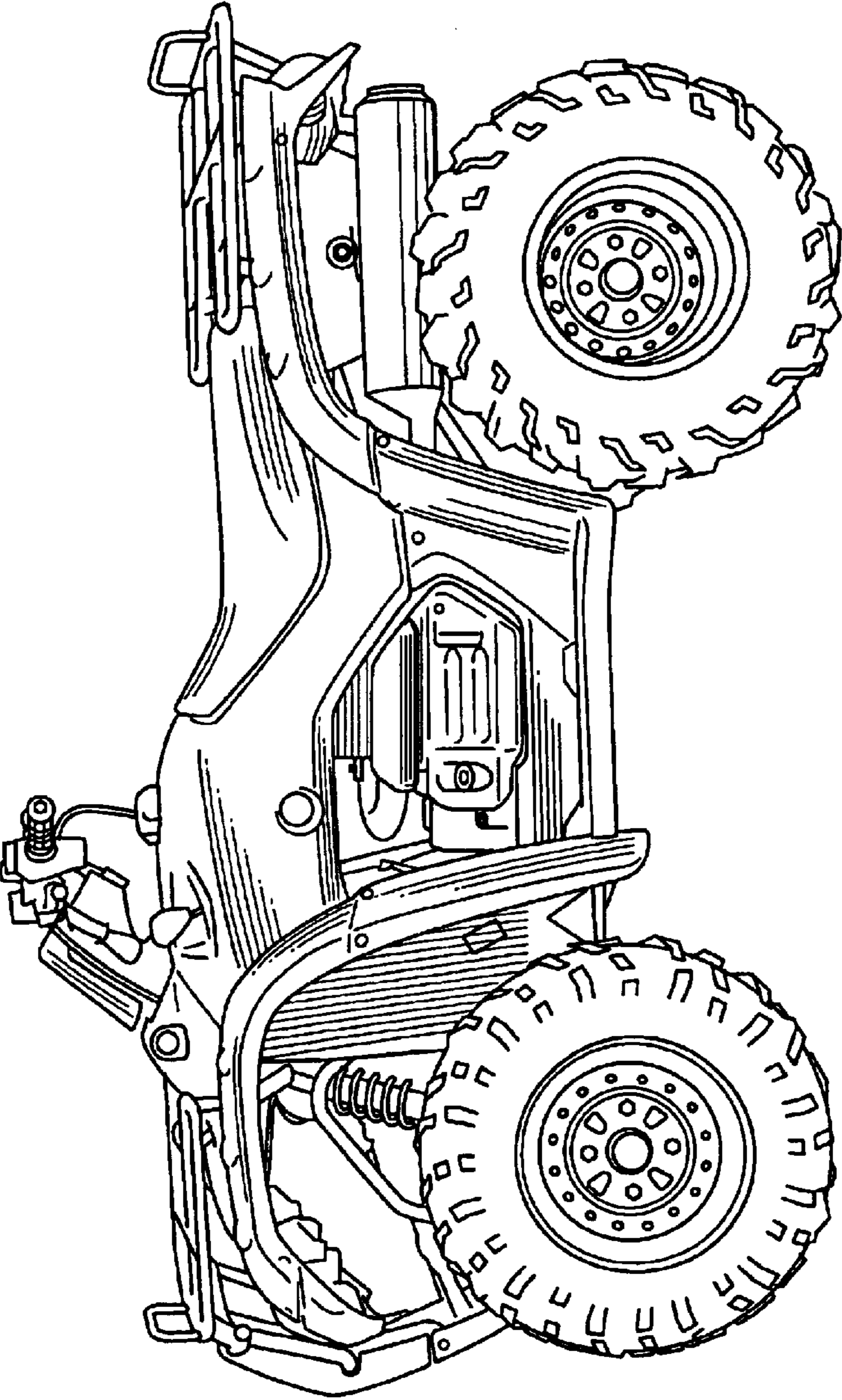


Fig. 2

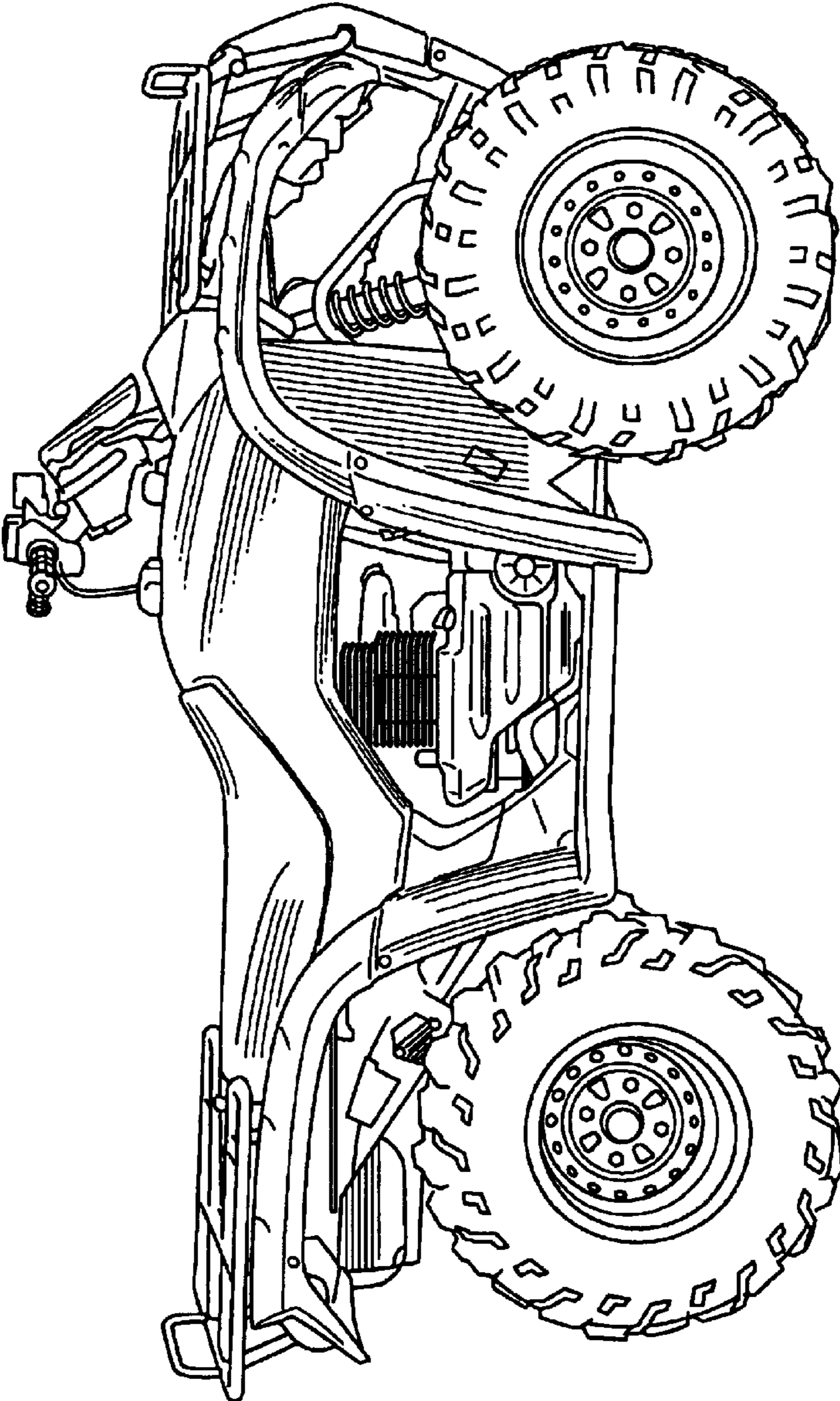


Fig. 3

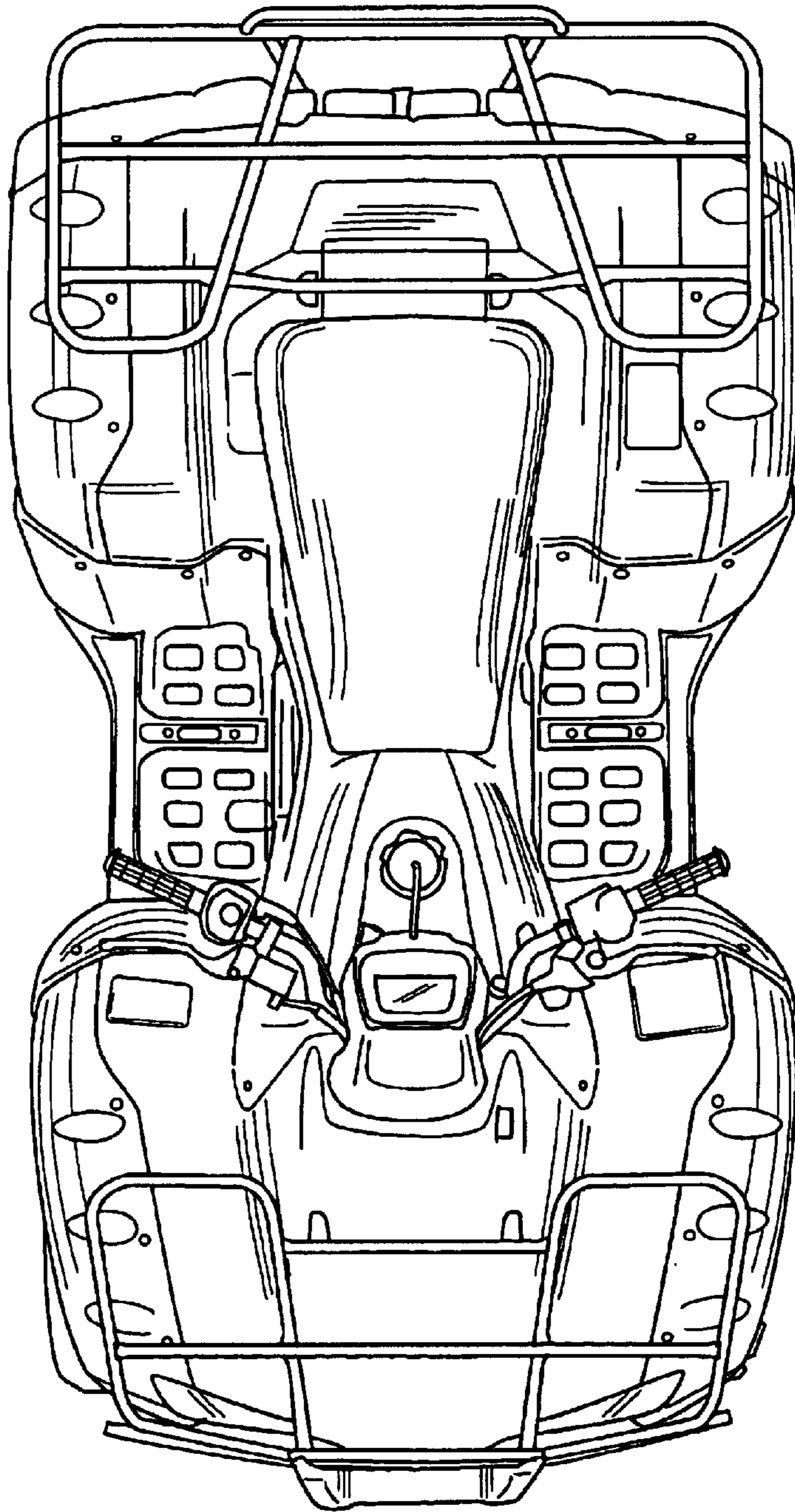


Fig. 4

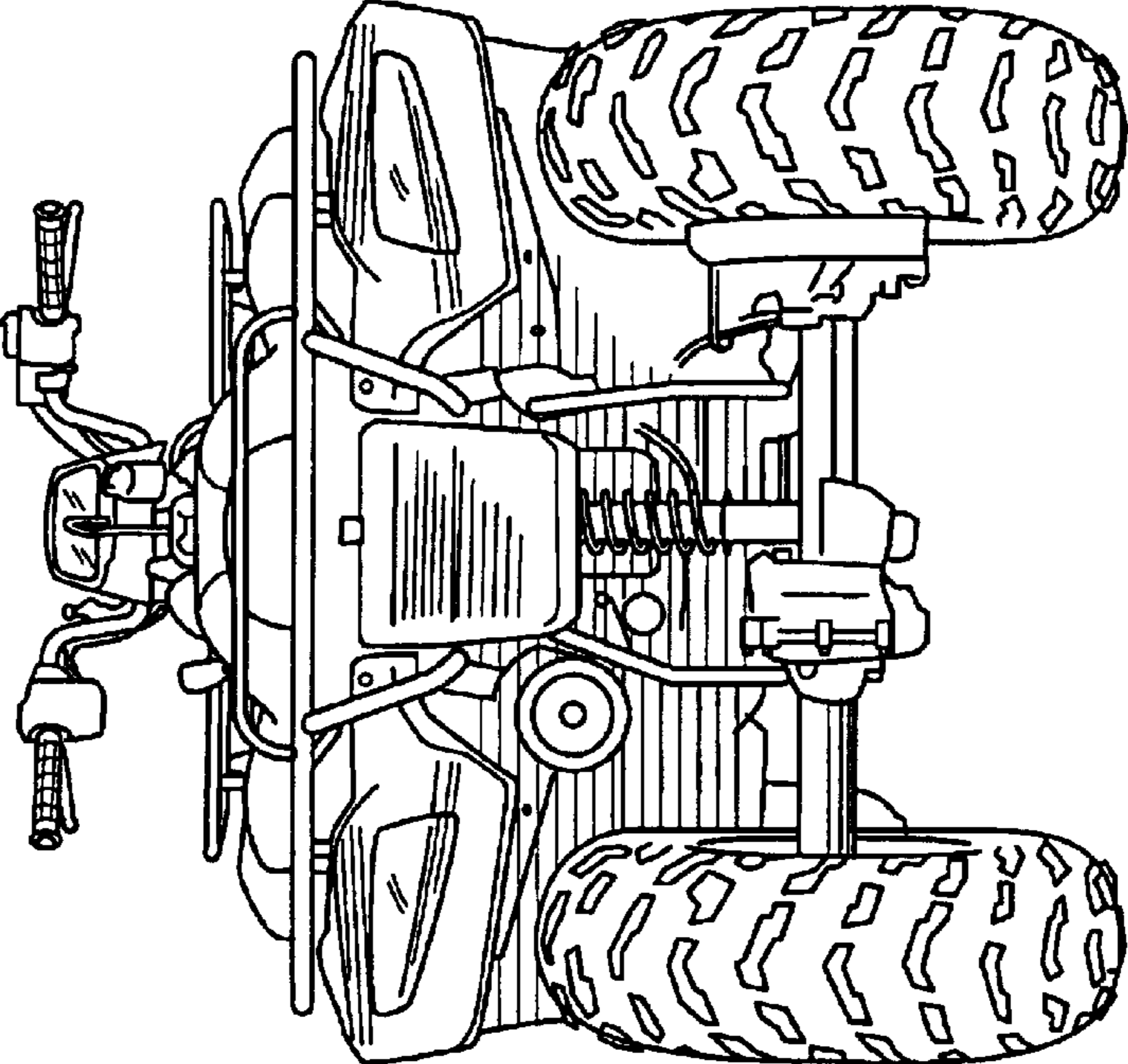


Fig. 5

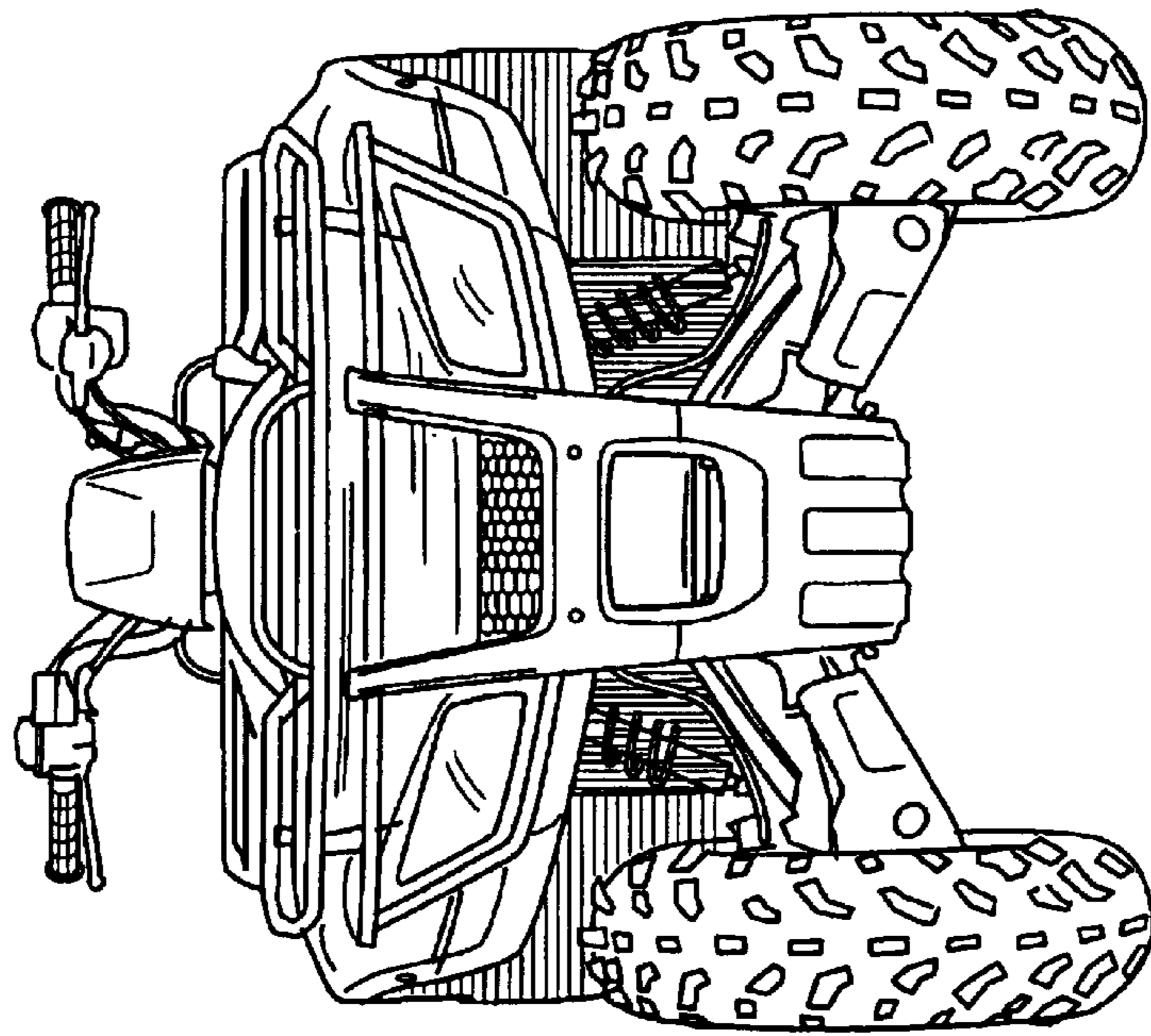


Fig. 6

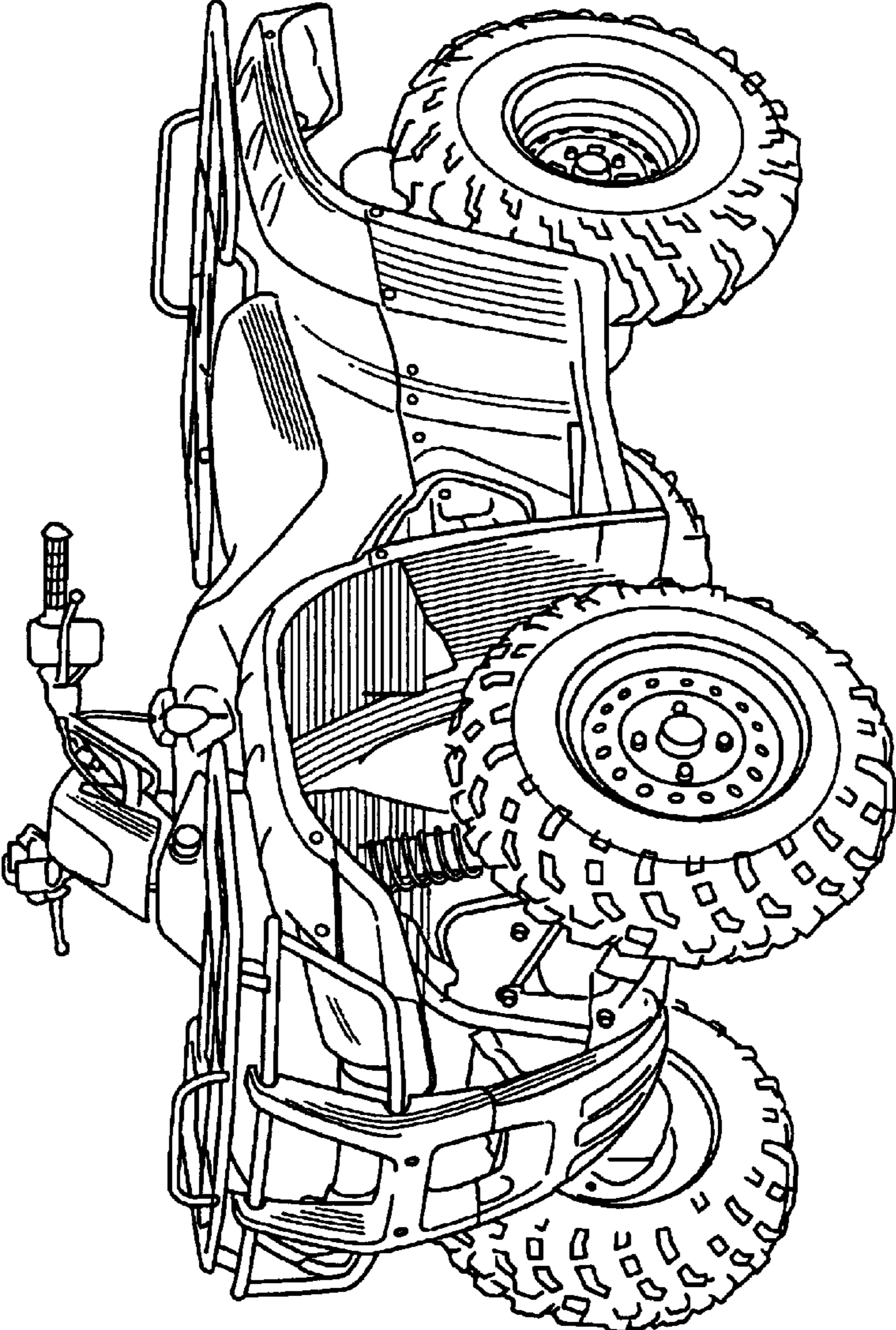


Fig. 7

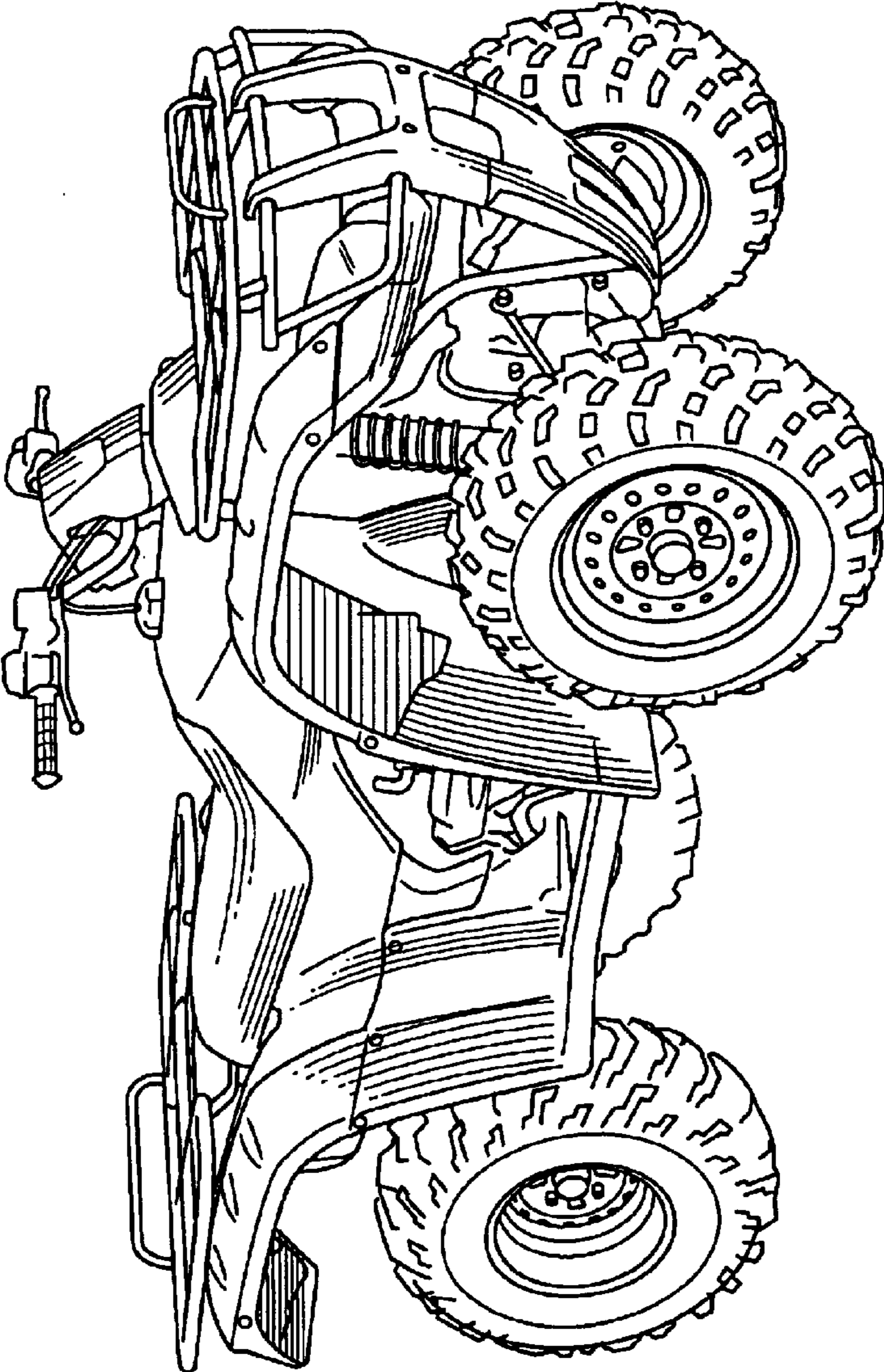


Fig. 8

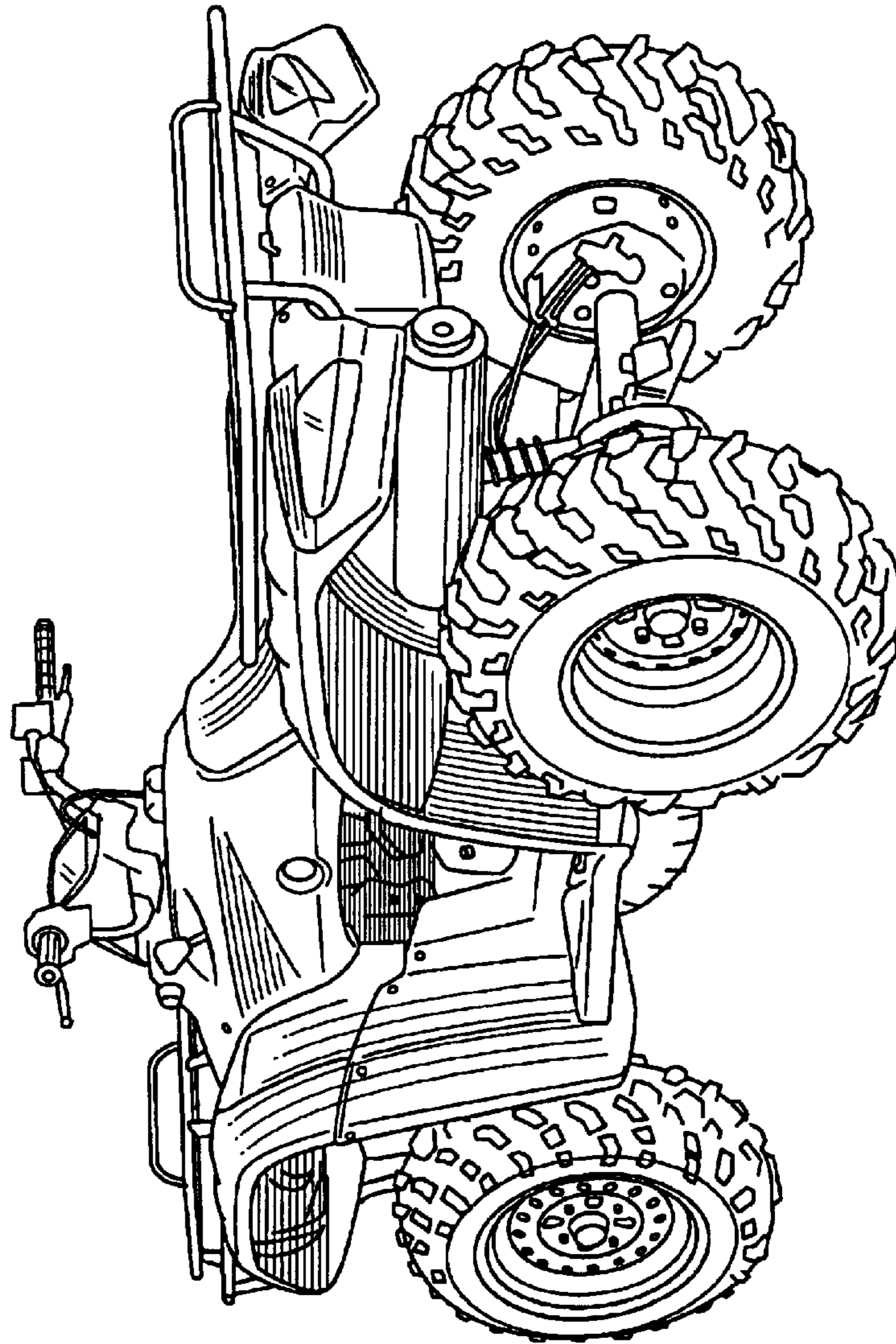


Fig. 9

