



US00D539704S

(12) **United States Design Patent** (10) **Patent No.:** **US D539,704 S**
Angelo et al. (45) **Date of Patent:** **** Apr. 3, 2007**

(54) **TRUCK BODY**

(75) Inventors: **Gerald Jay Angelo**, Bellevue, WA (US); **Daniel R Kieffer**, Kirkland, WA (US); **Wayne K Simons**, Kent, WA (US); **Steven H Hovind**, Bellevue, WA (US); **Daniel Farmer**, Coupeville, WA (US); **Richard D Wailes, Jr.**, Woodinville, WA (US); **Erik David Hjorten**, Everett, WA (US); **James E Schatzer**, Kent, WA (US); **Adam Grant Salnick**, Seattle, WA (US); **Jake Tyler Ferderer**, Bellevue, WA (US)

(73) Assignee: **PACCAR Inc**, Bellevue, WA (US)

(**) Term: **14 Years**

(21) Appl. No.: **29/238,186**

(22) Filed: **Sep. 12, 2005**

(51) **LOC (8) Cl.** **12-16**

(52) **U.S. Cl.** **D12/96**

(58) **Field of Classification Search** D12/173,
D12/96, 97; 180/69.2, 89.12, 89.13, 89.67,
180/89.7; 296/183.1

See application file for complete search history.

(56) **References Cited**

U.S. PATENT DOCUMENTS

D291,872 S 9/1987 Simons et al.

(Continued)

OTHER PUBLICATIONS

Kenworth Truck Company W900 brochure, Kirkland, Wash, 2005.

Kenworth Truck Company W900 brochure, Kirkland, Wash, 2002.

Kenworth Truck Company W900 brochure, Kirkland, Wash, 1996.

Kenworth Truck Company T2000 brochure, Kirkland, Wash, 2005.

Kenworth Truck Company T2000 brochure, Kirkland, Wash, 2002.

Kenworth Truck Company T800 brochure, Kirkland, Wash, 2005.

Kenworth Truck Company T800 brochure, Kirkland, Wash, 2003.

Kenworth Truck Company T800 brochure, Kirkland, Wash, 2002.

Kenworth Truck Company T600 brochure, Kirkland, Wash, 2005.

Kenworth Truck Company T600 brochure, Kirkland, Wash, 2002.

Kenworth Truck Company T600 brochure, Kirkland, Wash, 1996.

Kenworth Truck Company T300 brochure, Kirkland, Wash, 2005.

Kenworth Truck Company T300 brochure, Kirkland, Wash, 2001.

Primary Examiner—Melody N. Brown

(74) *Attorney, Agent, or Firm*—Christensen O'Connor Johnson Kindness PLLC

(57) **CLAIM**

The ornamental design for a truck body, as shown and described.

DESCRIPTION

FIG. 1 is a front perspective view of a truck body showing our new design;

FIG. 2 is a right side elevational view of the truck body of FIG. 1;

FIG. 3 is a front elevational view of the truck body of FIG. 1;

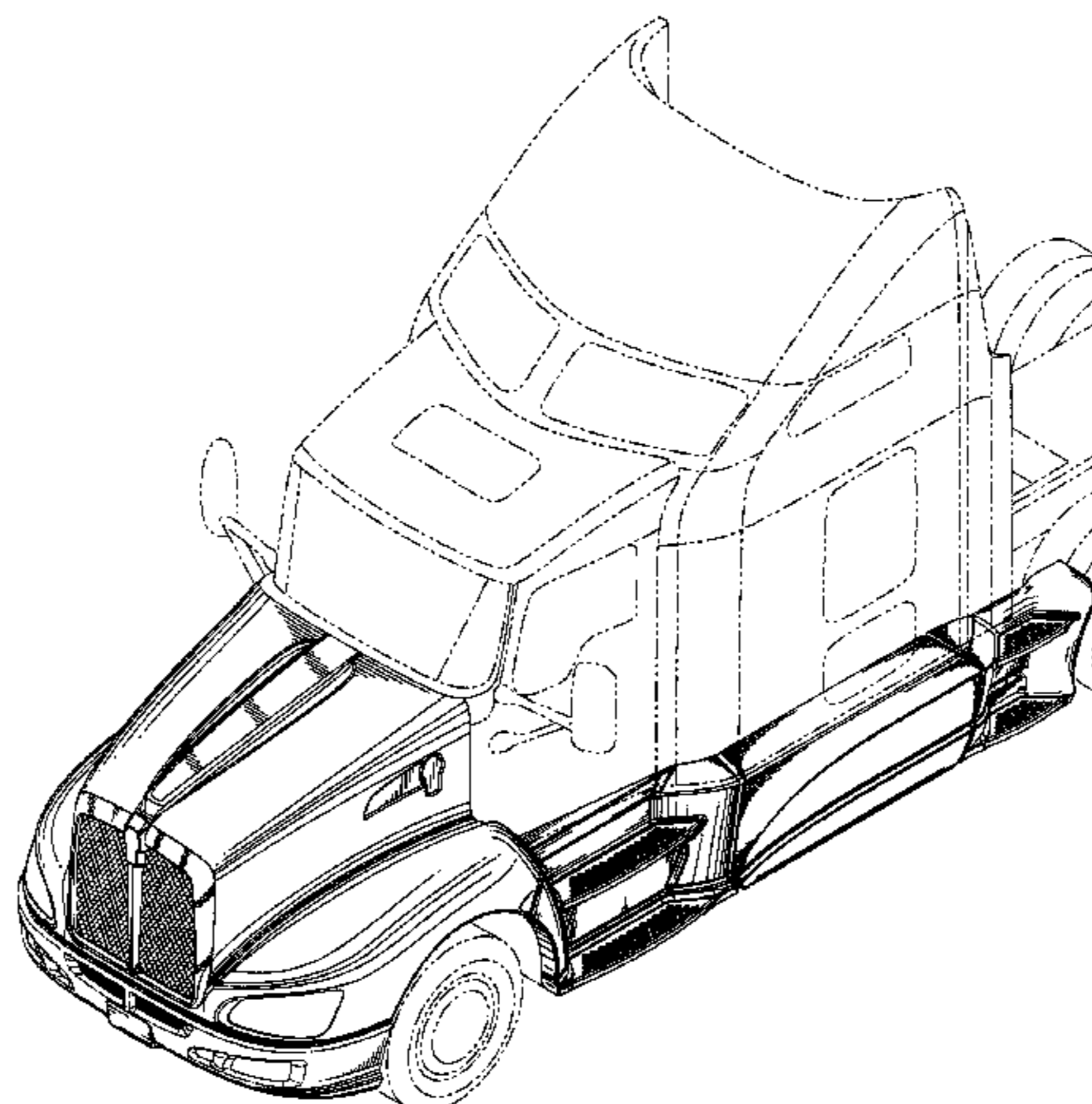
FIG. 4 is a left side elevational view of the truck body of FIG. 1;

FIG. 5 is a top plan view of the truck body of FIG. 1; and,

FIG. 6 is a rear elevational view of the truck body of FIG. 1.

The broken lines in the drawings form no part of the claimed design.

1 Claim, 6 Drawing Sheets



U.S. PATENT DOCUMENTS

D291,982 S	9/1987	Simons et al.	D434,347 S	11/2000	Damon et al.
D307,254 S	4/1990	Koske et al.	D434,348 S	11/2000	Delashaw et al.
D307,731 S	5/1990	Kerney et al.	D434,358 S	11/2000	Conway et al.
D308,032 S	5/1990	Kerney et al.	D435,816 S	1/2001	Delashaw et al.
D311,711 S	10/1990	Marlowe et al.	D436,563 S	1/2001	Delashaw et al.
D312,609 S	12/1990	Preslik et al.	D436,894 S	1/2001	Barraclough et al.
D312,805 S	12/1990	Marlowe et al.	D437,258 S	2/2001	Meryman et al.
D312,810 S	12/1990	Preslik et al.	D437,570 S	2/2001	Meryman et al.
D313,784 S	1/1991	Marlow et al.	D442,132 S	5/2001	Weidhase
D313,954 S	1/1991	Fingerle	D443,853 S	6/2001	Barraclough et al.
D313,966 S	1/1991	Marlowe et al.	D458,397 S	6/2002	Horowitz
D316,241 S	4/1991	Ray	D460,023 S	* 7/2002	Beigel D12/96
D319,036 S	8/1991	Fingerle	D466,450 S	* 12/2002	Maher et al. D12/173
D320,582 S	10/1991	Fingerle	D466,847 S	12/2002	Waskow et al.
D320,583 S	10/1991	Simons et al.	D470,956 S	2/2003	Horowitz
D329,214 S	9/1992	Marlowe et al.	D471,494 S	3/2003	Chan
D343,605 S	1/1994	Meryman	D475,657 S	6/2003	Wong et al.
D343,916 S	2/1994	King et al.	D475,663 S	6/2003	Chiang
D363,561 S	10/1995	Lagaay et al.	D475,664 S	6/2003	Chiang
D364,371 S	11/1995	Ray et al.	D476,929 S	7/2003	Dozier et al.
D366,638 S	1/1996	Tucker et al.	D477,427 S	7/2003	Mazziotti
D366,640 S	1/1996	Tucker et al.	D478,027 S	8/2003	Chiang
D381,946 S	8/1997	Delashaw et al.	D478,028 S	8/2003	Chiang
D381,949 S	8/1997	Barrett, Jr. et al.	D482,302 S	11/2003	Dozier et al.
D382,841 S	8/1997	Norwood et al.	D482,993 S	12/2003	Conway et al.
D382,844 S	8/1997	Norwood et al.	D483,707 S	12/2003	Satou
D384,019 S	9/1997	Meryman et al.	D484,077 S	12/2003	Conway et al.
D389,108 S	1/1998	Norwood et al.	D488,749 S	4/2004	Ikuma et al.
D391,212 S	2/1998	Meryman et al.	D490,560 S	5/2004	Zyskowski
D395,848 S	7/1998	Meryman et al.	D490,749 S	* 6/2004	Satou et al. D12/96
D395,860 S	7/1998	Meryman et al.	D491,848 S	6/2004	Metros et al.
D403,636 S	1/1999	Meryman et al.	D492,627 S	7/2004	Metros et al.
D405,037 S	2/1999	Meryman et al.	D492,628 S	7/2004	Bond et al.
D411,140 S	6/1999	Meryman et al.	D493,552 S	7/2004	Metros et al.
D411,494 S	6/1999	Meryman et al.	D493,902 S	8/2004	Hoelzel et al.
D412,874 S	8/1999	Meryman et al.	D494,293 S	8/2004	Pfeiffer
D414,571 S	9/1999	Schneider et al.	D494,898 S	8/2004	Metros et al.
D421,817 S	3/2000	Tucker et al.	D495,071 S	8/2004	Pfeiffer
D422,251 S	4/2000	Bader et al.	D497,577 S	10/2004	Metros et al.
D423,429 S	4/2000	Hickman et al.	D497,581 S	10/2004	Conway et al.
D423,990 S	5/2000	Meryman et al.	D498,010 S	11/2004	Pfeiffer et al.
D424,489 S	5/2000	Damon et al.	D498,314 S	11/2004	Pfeiffer et al.
D425,450 S	5/2000	Barraclough et al.	D498,716 S	11/2004	Maeda et al.
D425,835 S	5/2000	Cook et al.	D499,496 S	12/2004	Papke et al.
D426,905 S	6/2000	Cook et al.	D499,822 S	12/2004	Pfeiffer
D429,669 S	8/2000	Cook et al.	D500,565 S	1/2005	Hoelzel et al.
D431,806 S	10/2000	Damon et al.	D502,897 S	3/2005	Delashaw et al.
D432,492 S	10/2000	Waskow et al.	D502,901 S	3/2005	Delashaw et al.
D433,967 S	11/2000	Delashaw et al.	D502,904 S	3/2005	Delashaw et al.
D433,980 S	11/2000	Conway et al.	D504,186 S	4/2005	Pfeiffer
D433,981 S	11/2000	Davis et al.	D504,850 S	5/2005	Gunter et al.

* cited by examiner

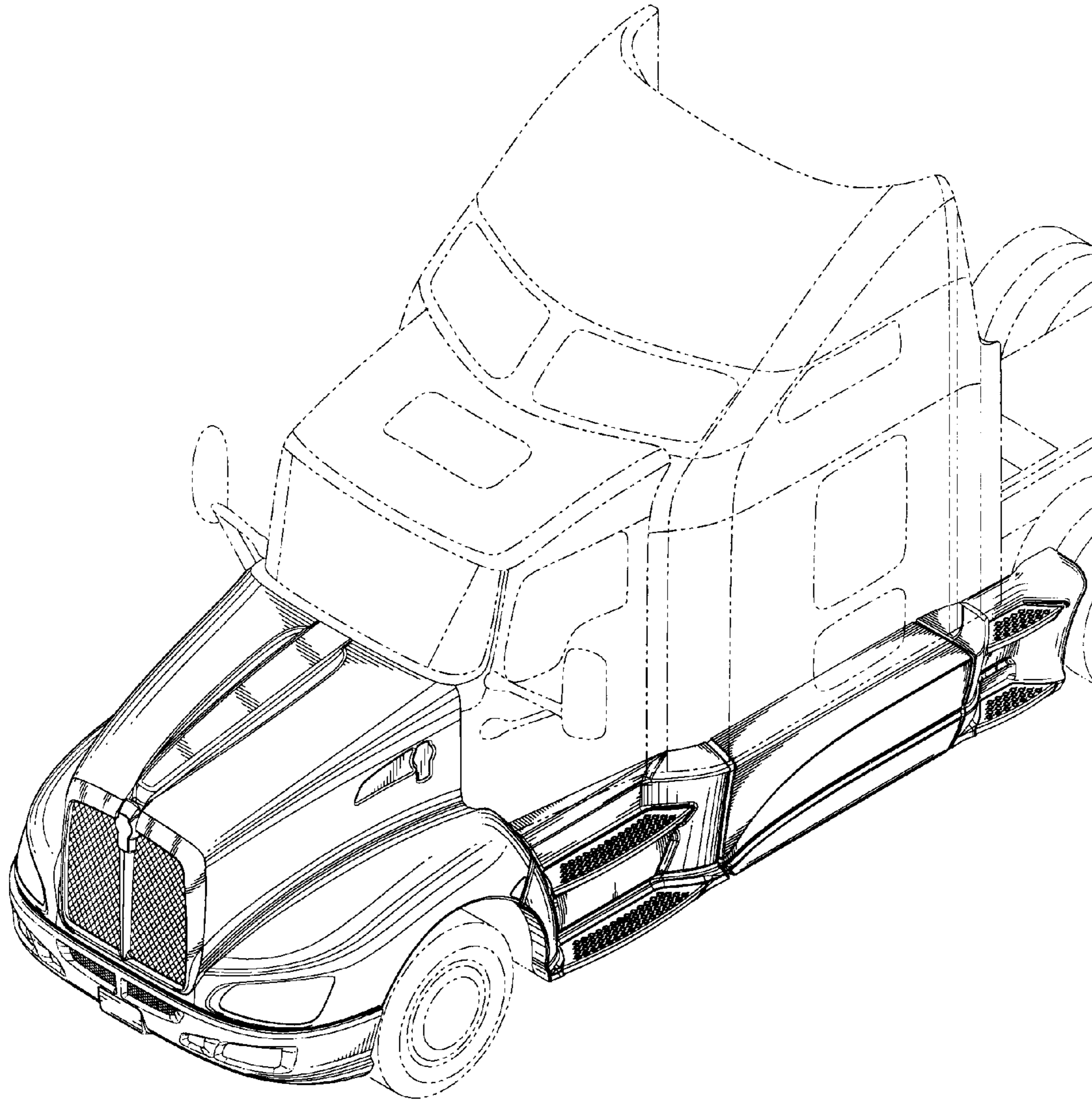


Fig.1.

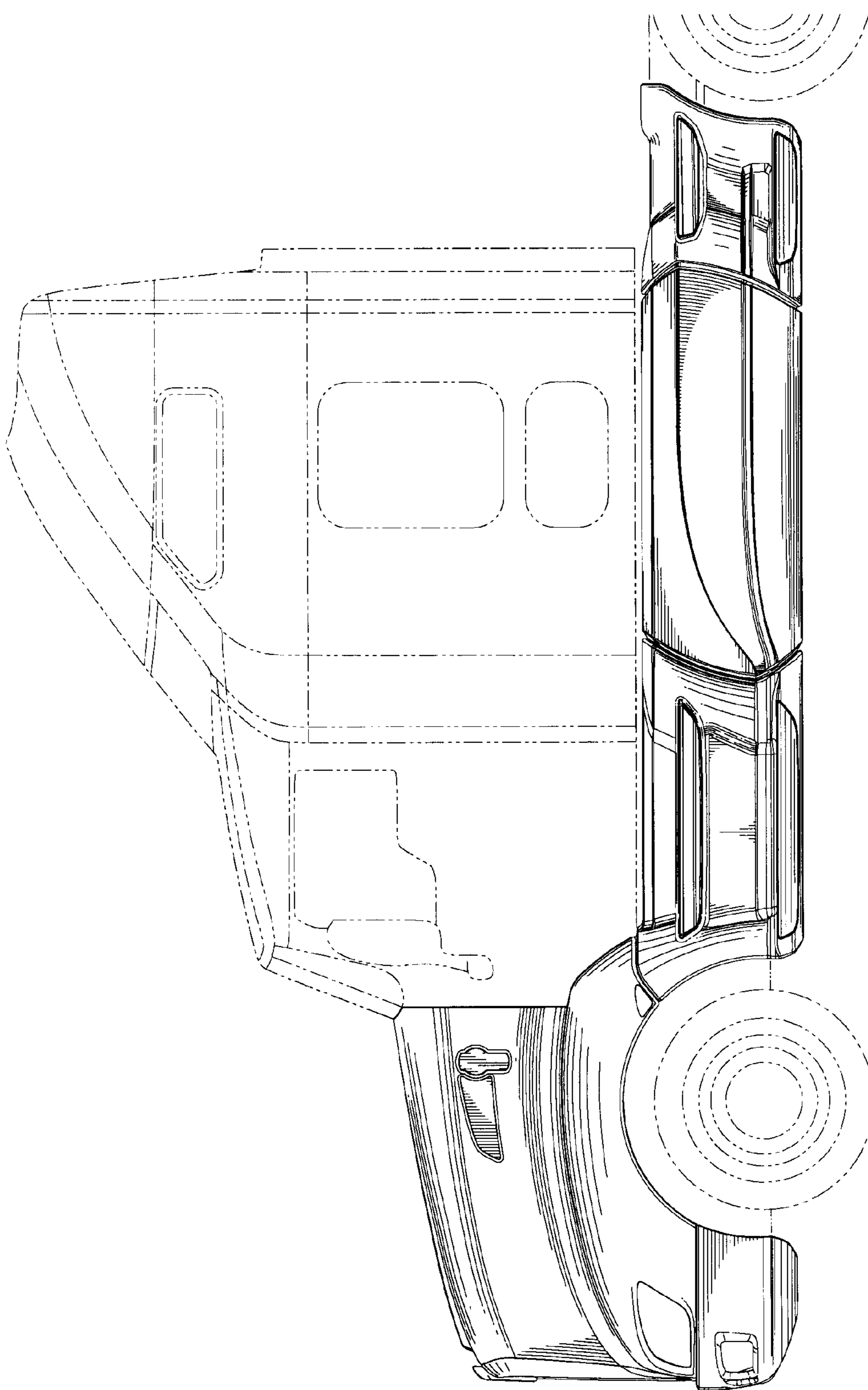


Fig. 2.

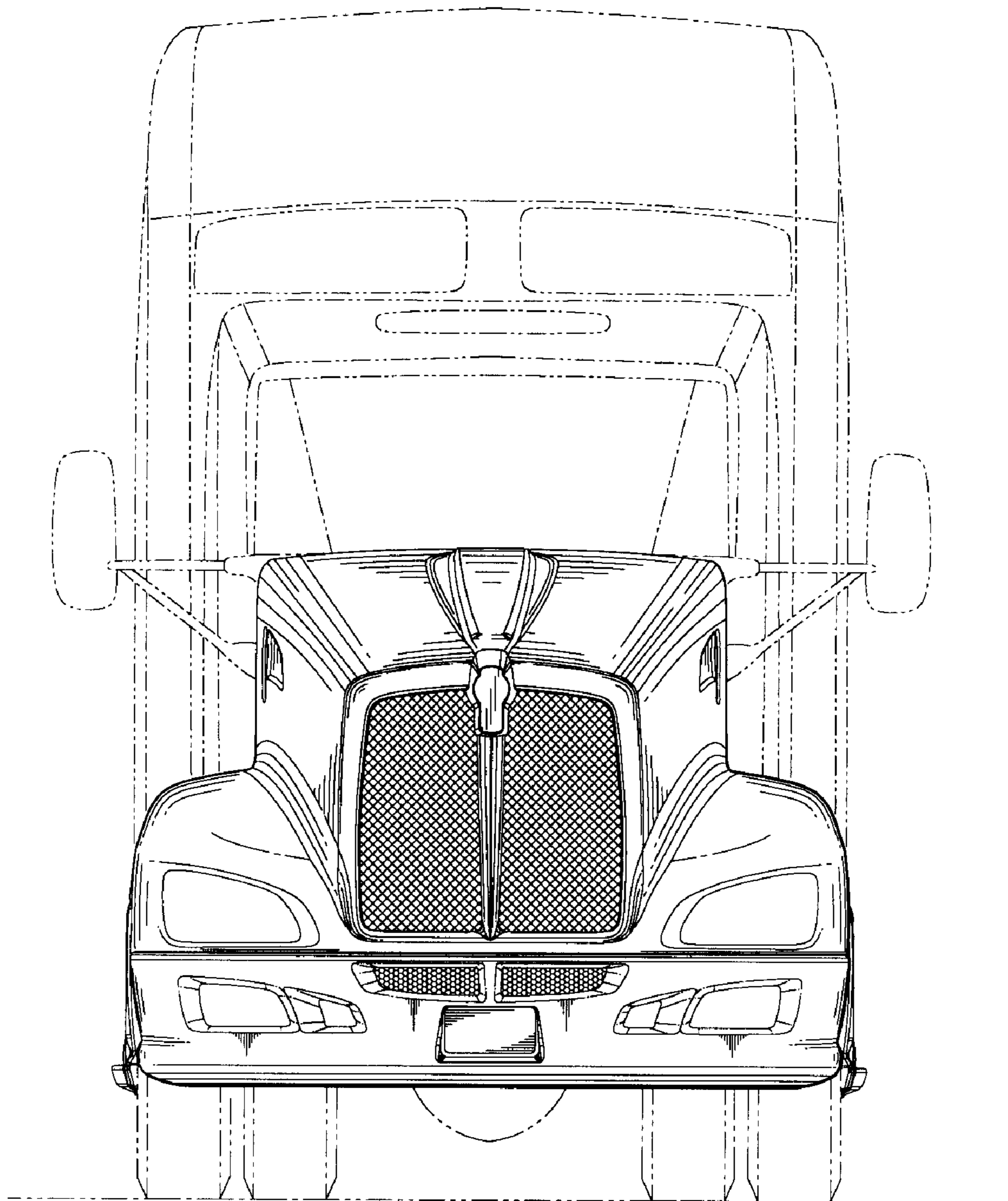


Fig. 3.

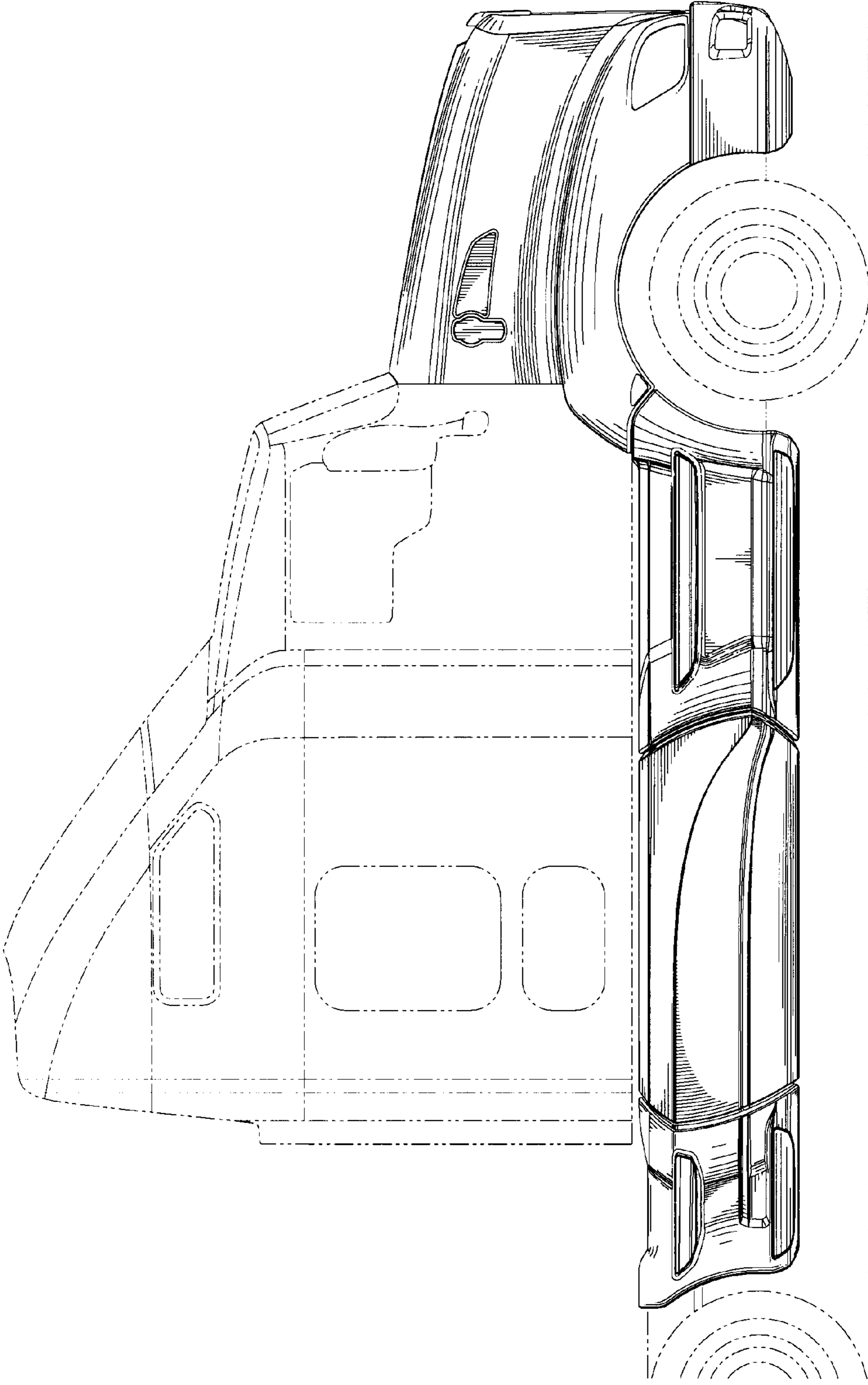


Fig. 4.

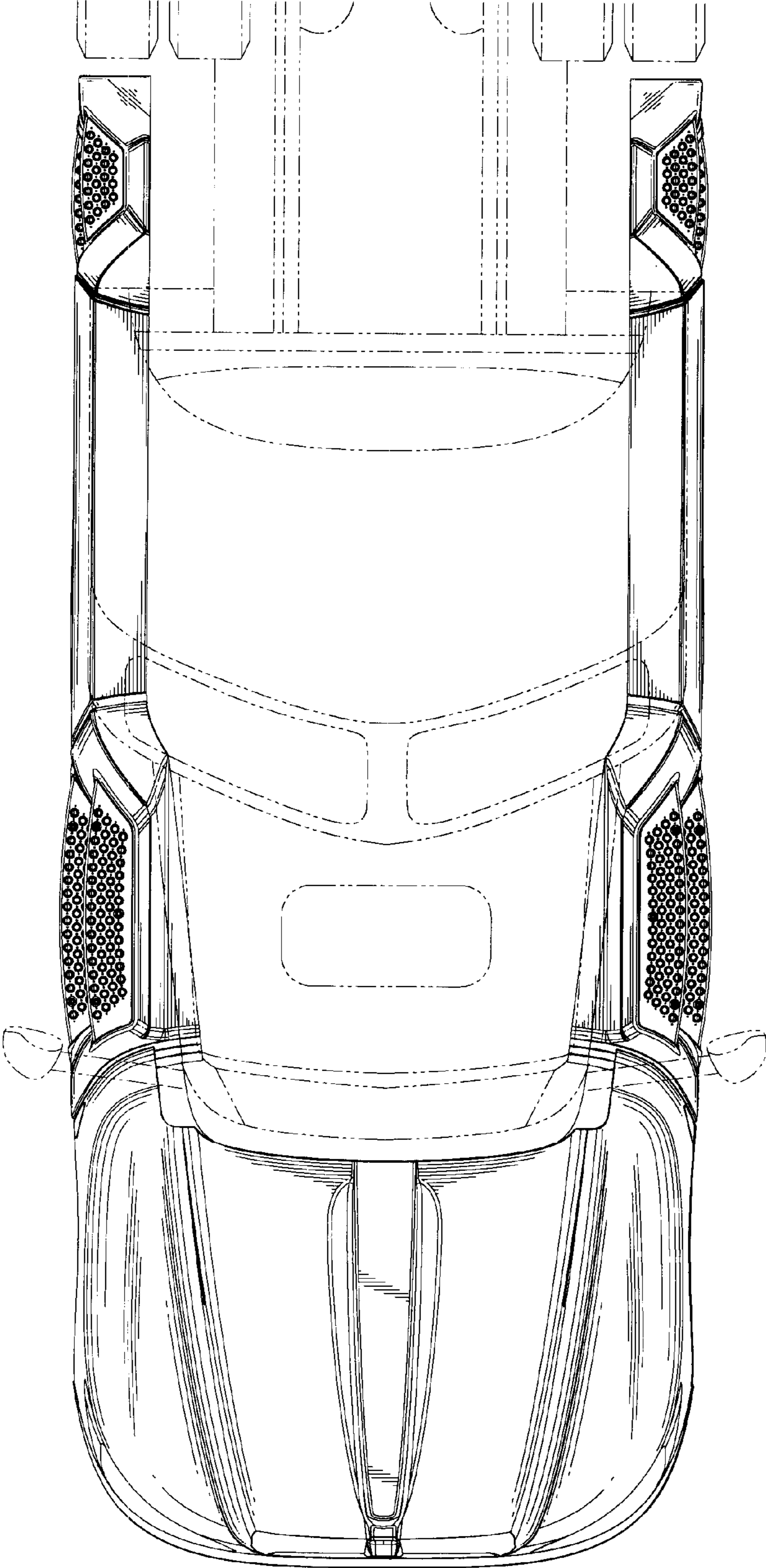


Fig. 5.

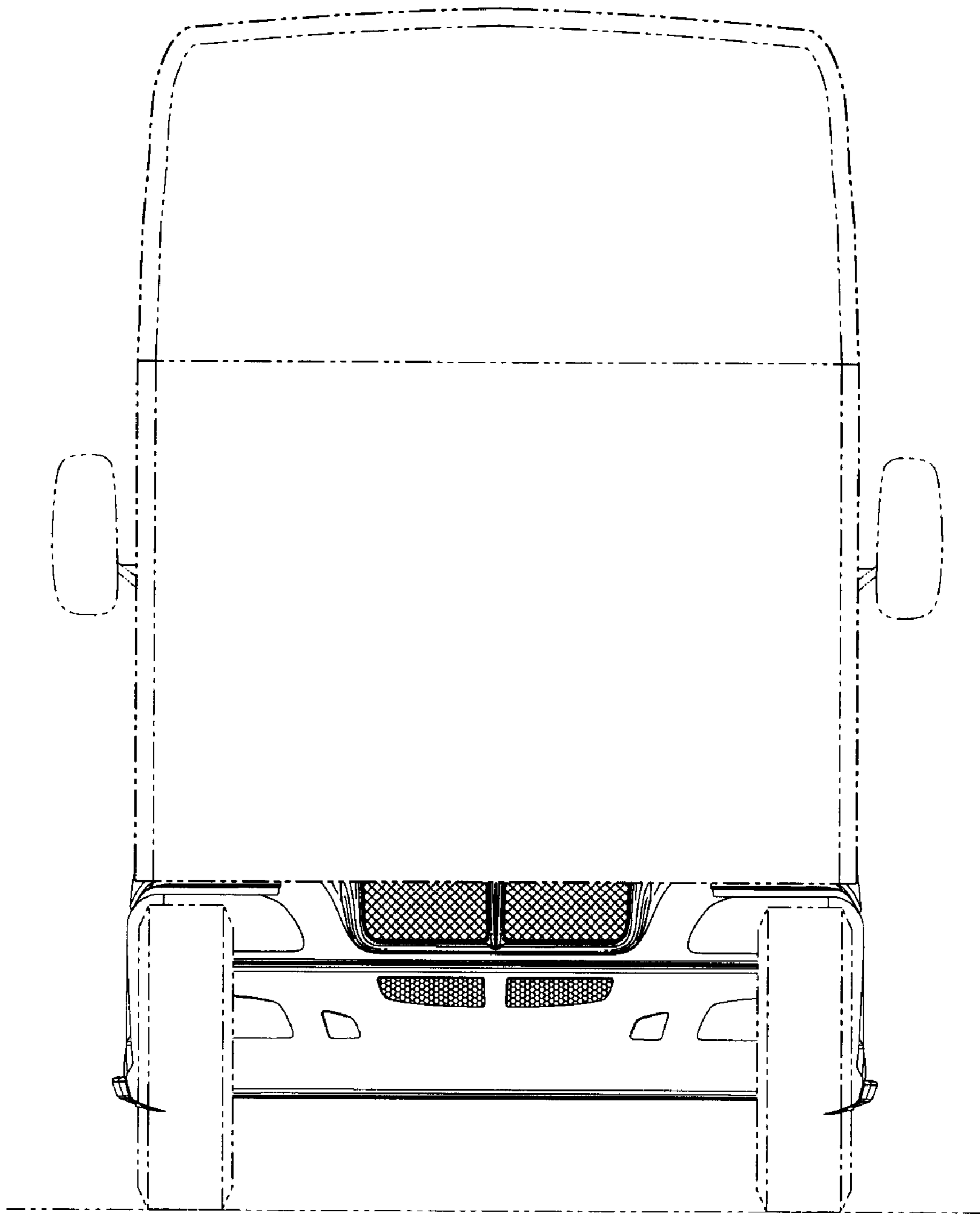


Fig. 6.