

US00D539701S

(12) **United States Design Patent**
Takeda et al.

(10) **Patent No.:** **US D539,701 S**

(45) **Date of Patent:** **** Apr. 3, 2007**

(54) **TRACTOR**

(75) Inventors: **Mitsumasa Takeda**, Kariya (JP); **Seigo Shimizu**, Kariya (JP)

(73) Assignee: **Kabushiki Kaisha Toyota Jidoshokki**, Aichi-Ken (JP)

(**) Term: **14 Years**

(21) Appl. No.: **29/201,609**

(22) Filed: **Mar. 17, 2004**

(30) **Foreign Application Priority Data**

Sep. 22, 2003	(JP)	2003-027733
Sep. 22, 2003	(JP)	2003-027734
Sep. 22, 2003	(JP)	2003-027735

(51) **LOC (8) Cl.** **12-13**

(52) **U.S. Cl.** **D12/14**

(58) **Field of Classification Search** D12/1,
D12/4, 8, 12-16, 41, 44, 45, 46, 85, 93, 95,
D12/96, 99; 180/19.2, 211, 215, 65.1; 280/87.01
See application file for complete search history.

(56) **References Cited**

U.S. PATENT DOCUMENTS

D116,092	S	*	8/1939	Sunderberg	D12/1
D184,580	S	*	3/1959	Polhemus	D12/1

D186,159	S	*	9/1959	Chucta	D12/1
D192,794	S	*	5/1962	Brown	D12/1
D223,191	S	*	3/1972	Satterfield	D12/14
D271,876	S	*	12/1983	Browning	D15/23
D279,660	S	*	7/1985	Martin, Jr.	D12/96
D282,153	S	*	1/1986	Wallace et al.	D12/14
4,716,980	A	*	1/1988	Butler	D12/1
D310,342	S	*	9/1990	Formoso	D12/14
D311,505	S	*	10/1990	Reinhart	D12/14
D463,326	S	*	9/2002	Takeda	D12/14
D503,656	S	*	4/2005	Fukatsu et al.	D12/1

* cited by examiner

Primary Examiner—Doris Clark

Assistant Examiner—Michael Pratt

(74) *Attorney, Agent, or Firm*—Morgan & Finnegan, L.L.P.

(57) **CLAIM**

The ornamental design for a tractor, as shown and described.

DESCRIPTION

FIG. 1 is a perspective view of a tractor of the present invention;

FIG. 2 is a front view thereof

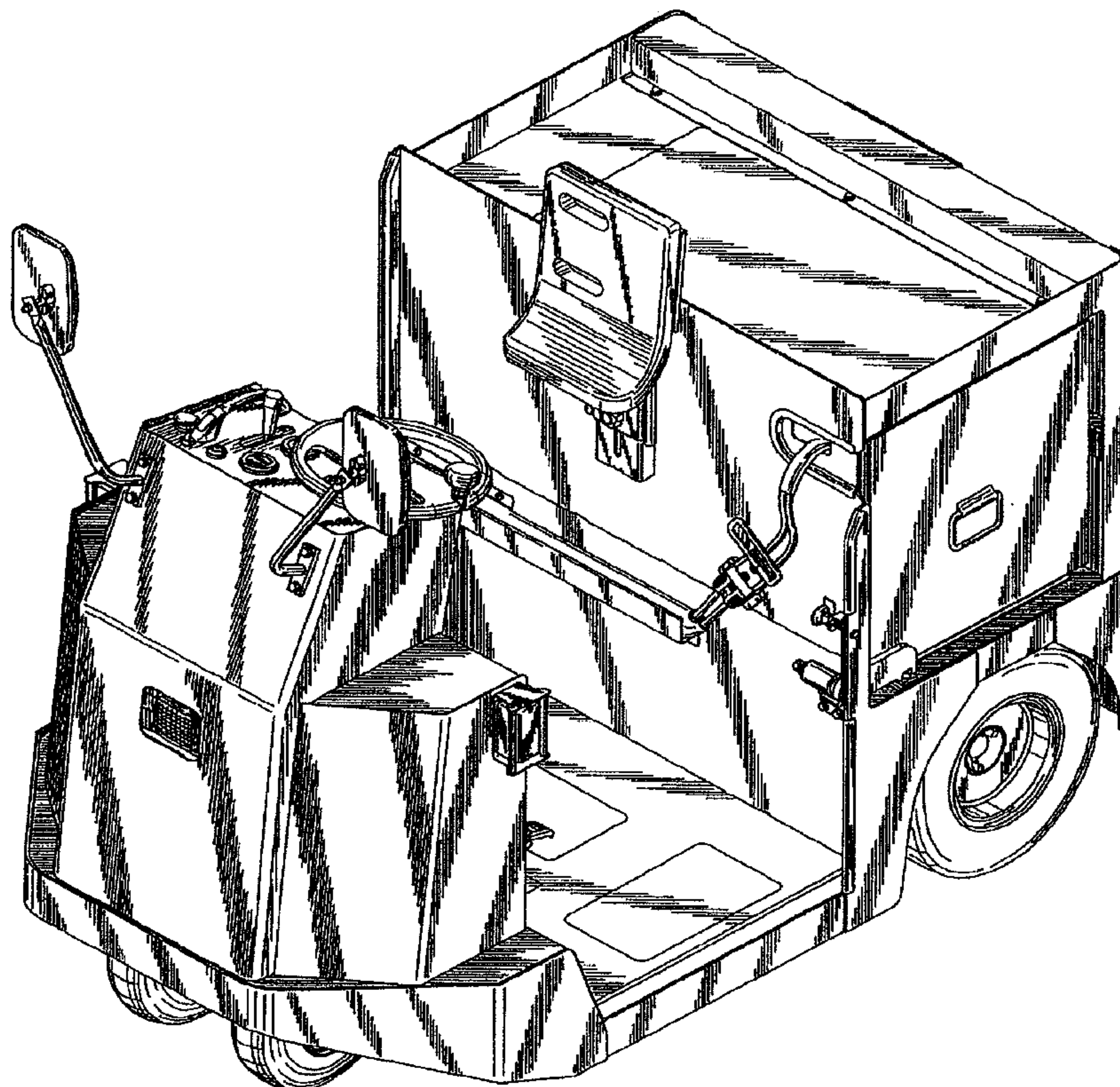
FIG. 3 is a rear view thereof;

FIG. 4 is a top plan view thereof;

FIG. 5 is a right side elevational view thereof; and,

FIG. 6 is a left side elevational view thereof.

1 Claim, 6 Drawing Sheets



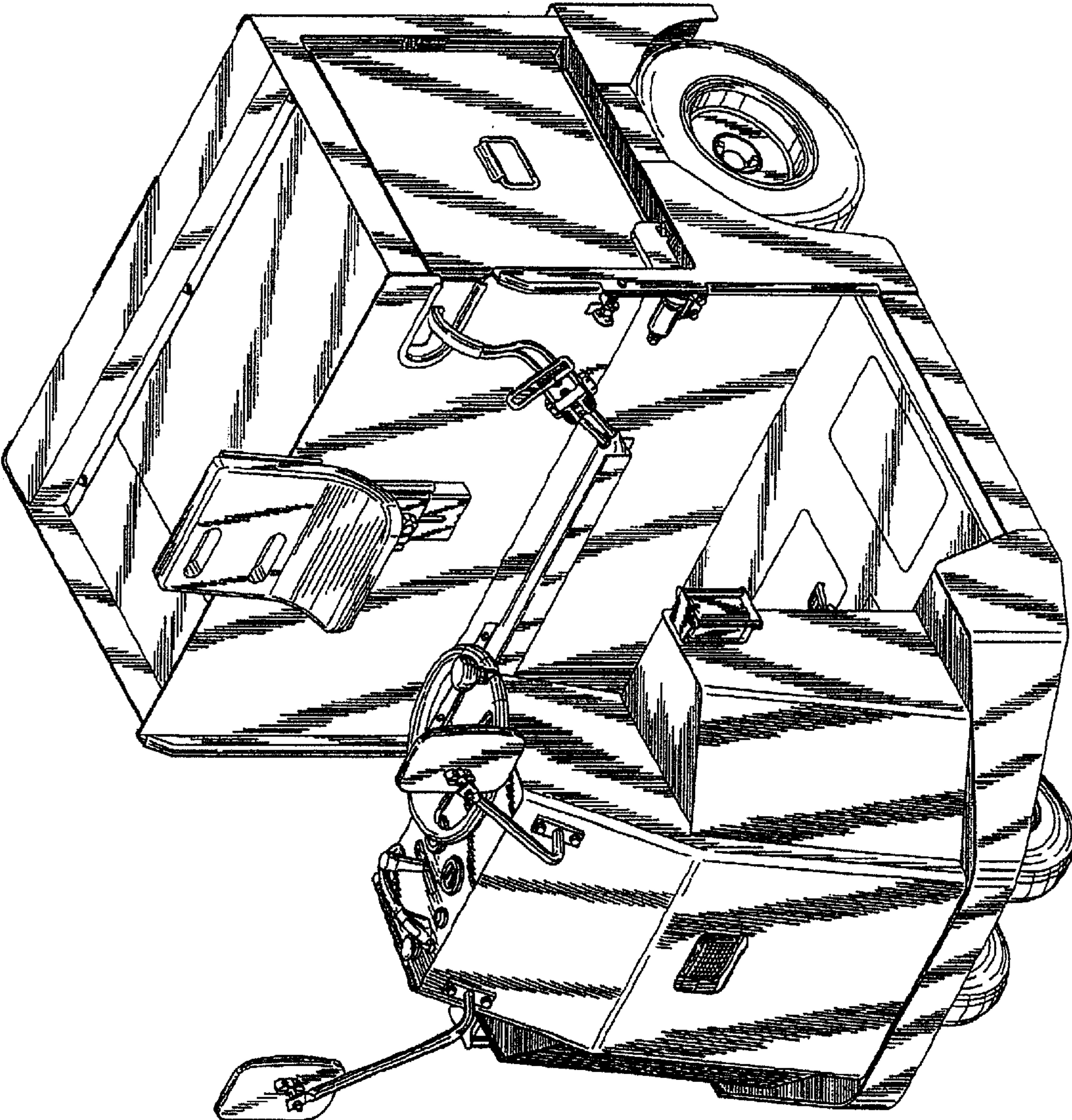


FIG. 1

FIG. 2

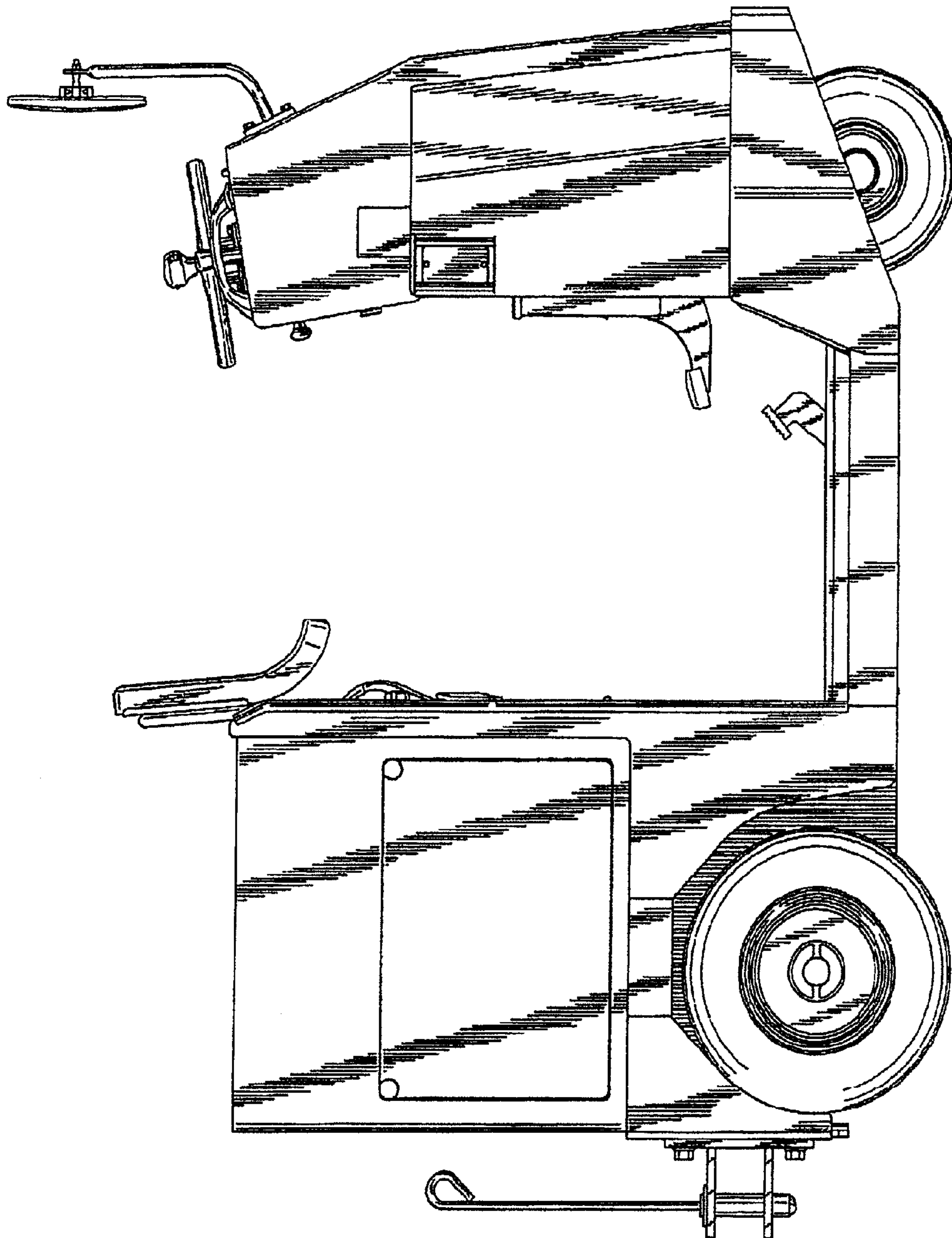


FIG.3

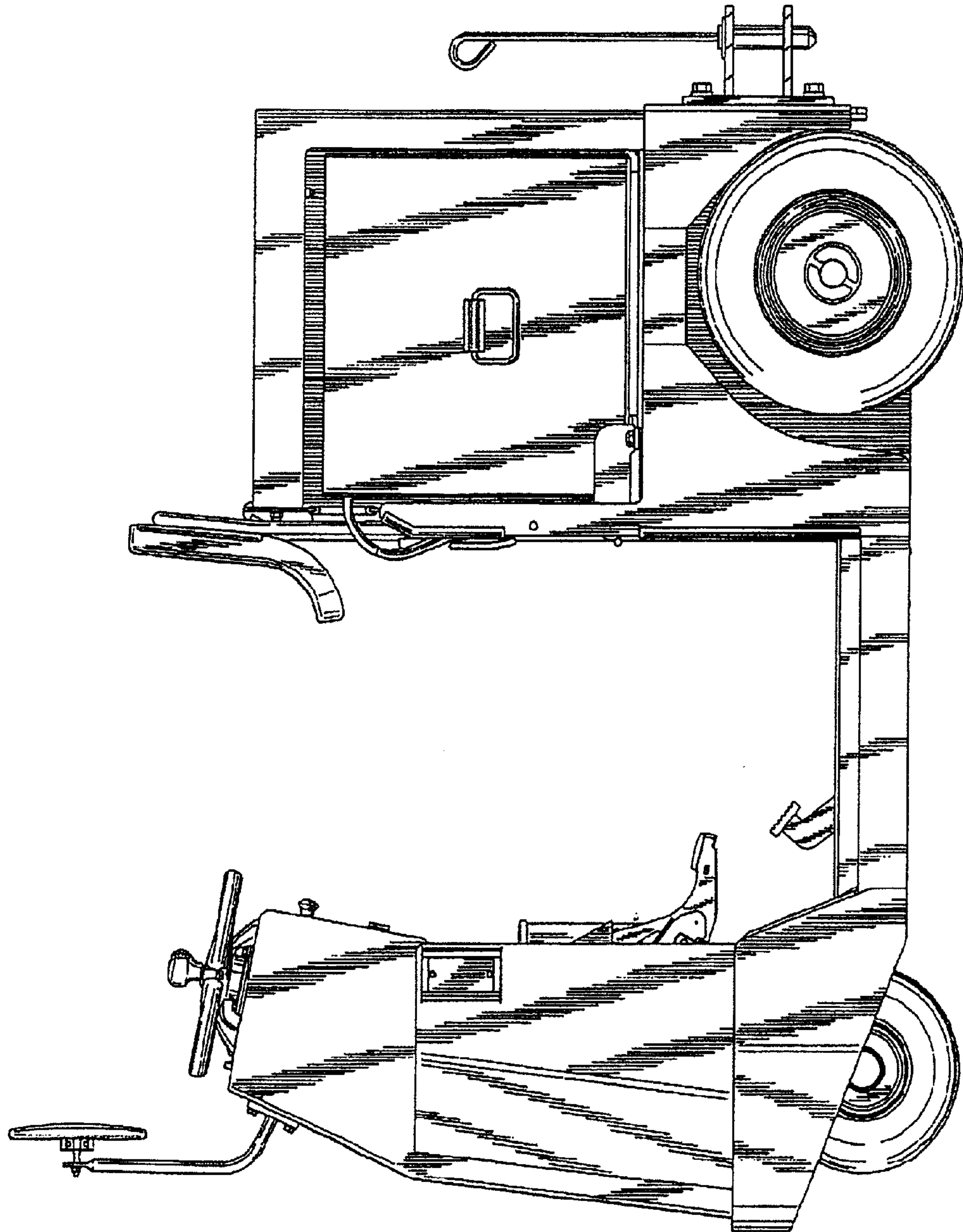


FIG.4

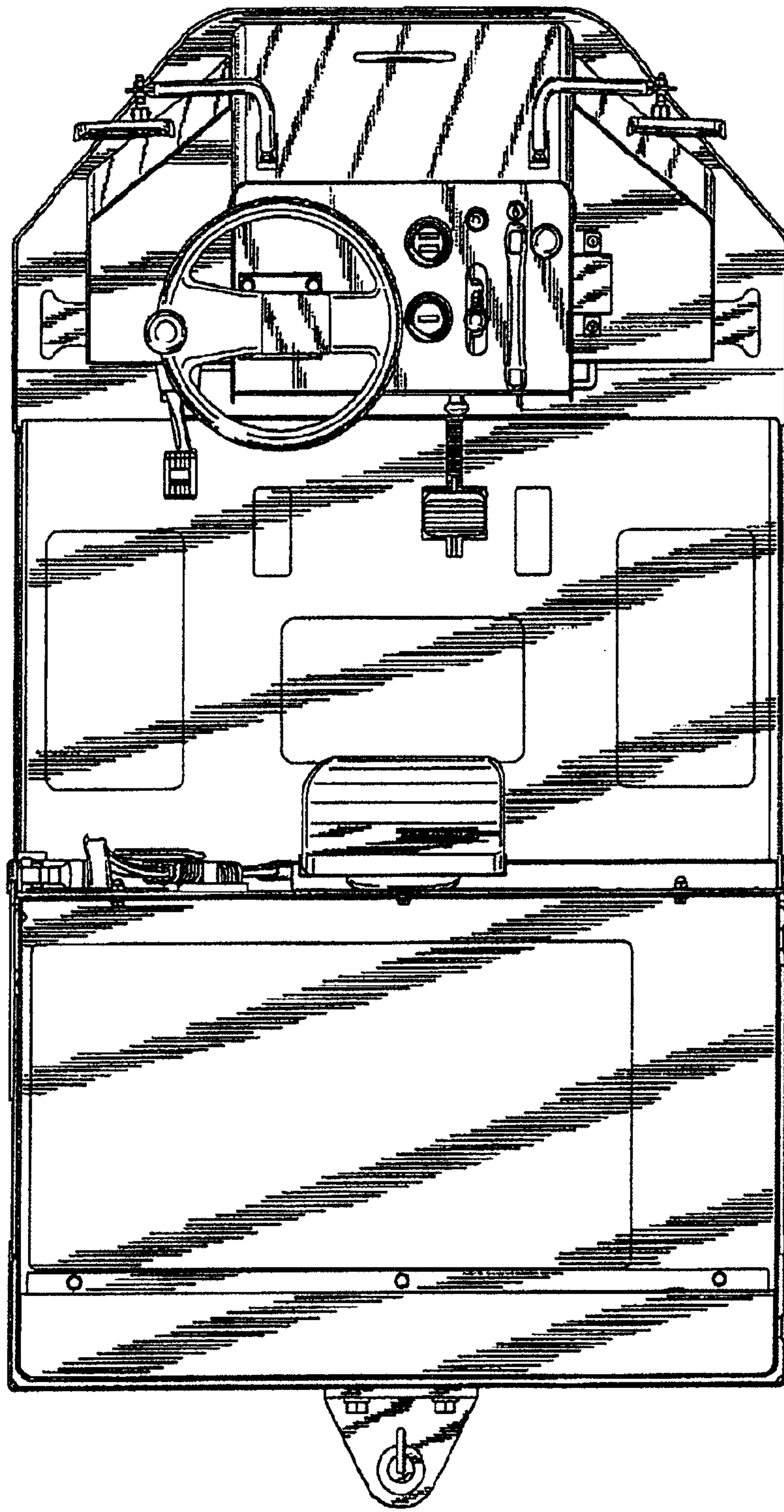


FIG.5

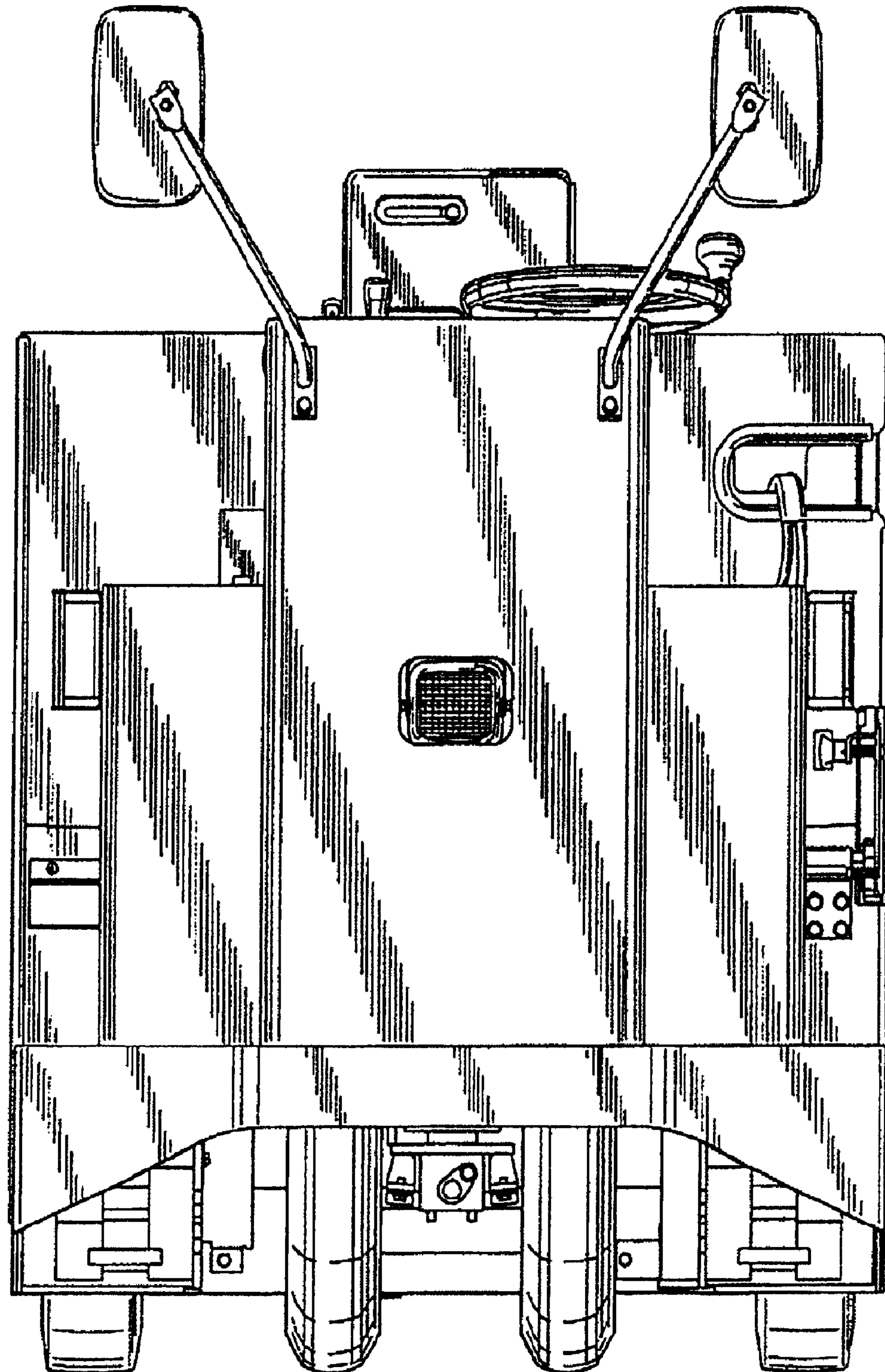


FIG.6

