

US00D539700S

(12) **United States Design Patent**
Hoskin

(10) **Patent No.:** **US D539,700 S**

(45) **Date of Patent:** **** Apr. 3, 2007**

(54) **PULL SLED**

(76) **Inventor:** **Brice J. Hoskin**, P.O. Box 730,
Silverton, CO (US) 81433

(**) **Term:** **14 Years**

(21) **Appl. No.:** **29/253,924**

(22) **Filed:** **Feb. 14, 2006**

(51) **LOC (8) Cl.** **12-14**

(52) **U.S. Cl.** **D12/6**

(58) **Field of Classification Search** D12/6,
D12/7, 9-11, 1, 101, 302; 280/14.1, 26, 28.16,
280/12.13, 8, 845, 15-20, 20.1, 22; 188/8;
224/259, 261, 262; 114/249, 351; D21/425,
D21/483, 767

See application file for complete search history.

(56) **References Cited**

U.S. PATENT DOCUMENTS

1,111,662 A * 9/1914 McGill 280/20

D201,191 S * 5/1965 Kurrasch D12/10
4,291,891 A * 9/1981 Blanchette 280/9
D292,564 S * 11/1987 Dubuc D12/9

* cited by examiner

Primary Examiner—Louis S. Zarfaz

Assistant Examiner—Anna Dworzecka

(74) *Attorney, Agent, or Firm*—Richard S. Erbe

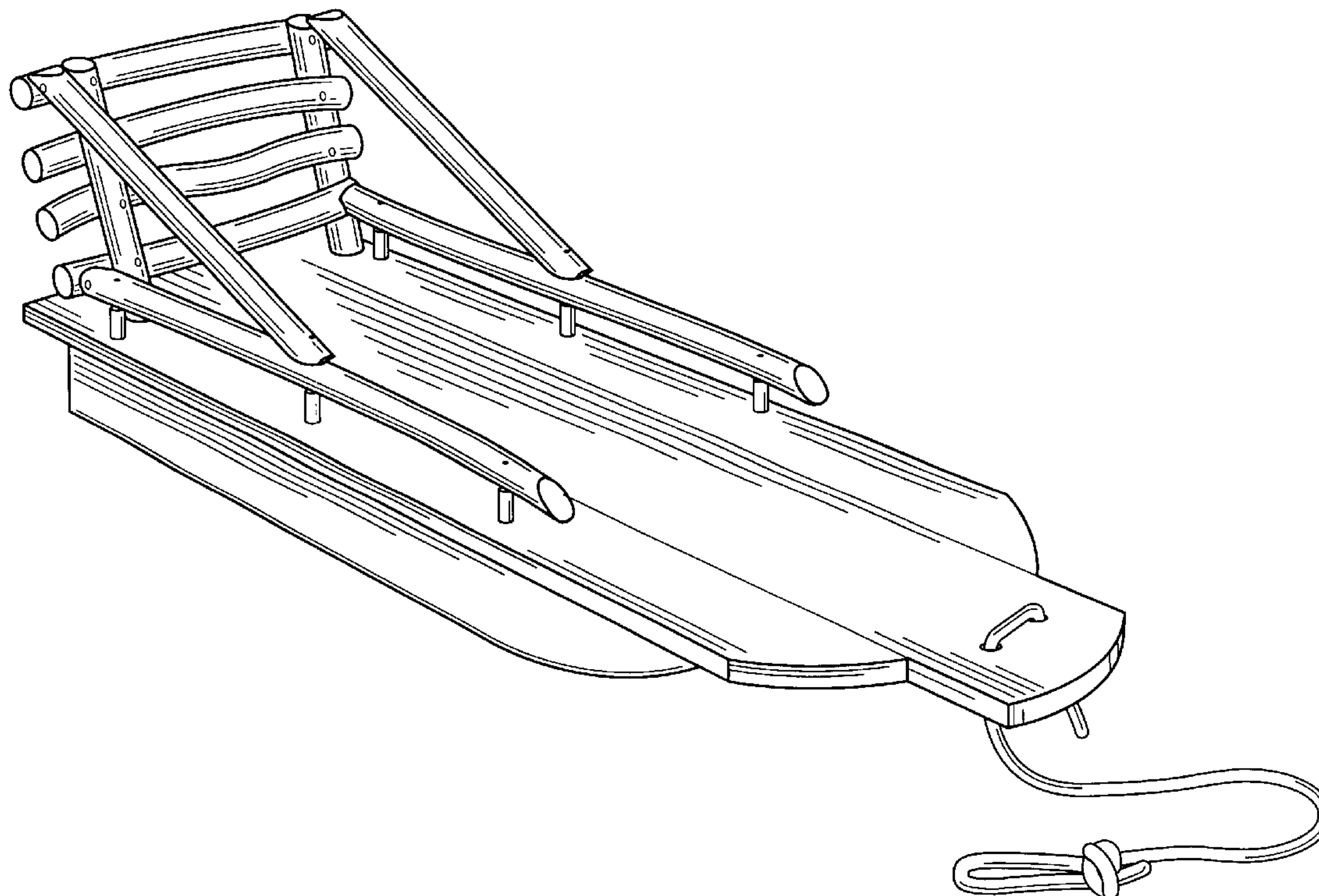
(57) **CLAIM**

The ornamental design for a pull sled, as shown and described.

DESCRIPTION

FIG. 1 is a perspective view of my pull sled.
FIG. 2 is a front elevational view of my pull sled.
FIG. 3 is a rear elevational view of my pull sled.
FIG. 4 is a right side elevational view of my pull sled.
FIG. 5 is a left side elevational view of my pull sled.
FIG. 6 is a plan view of my pull sled; and,
FIG. 7 is a bottom view of my pull sled.

1 Claim, 3 Drawing Sheets



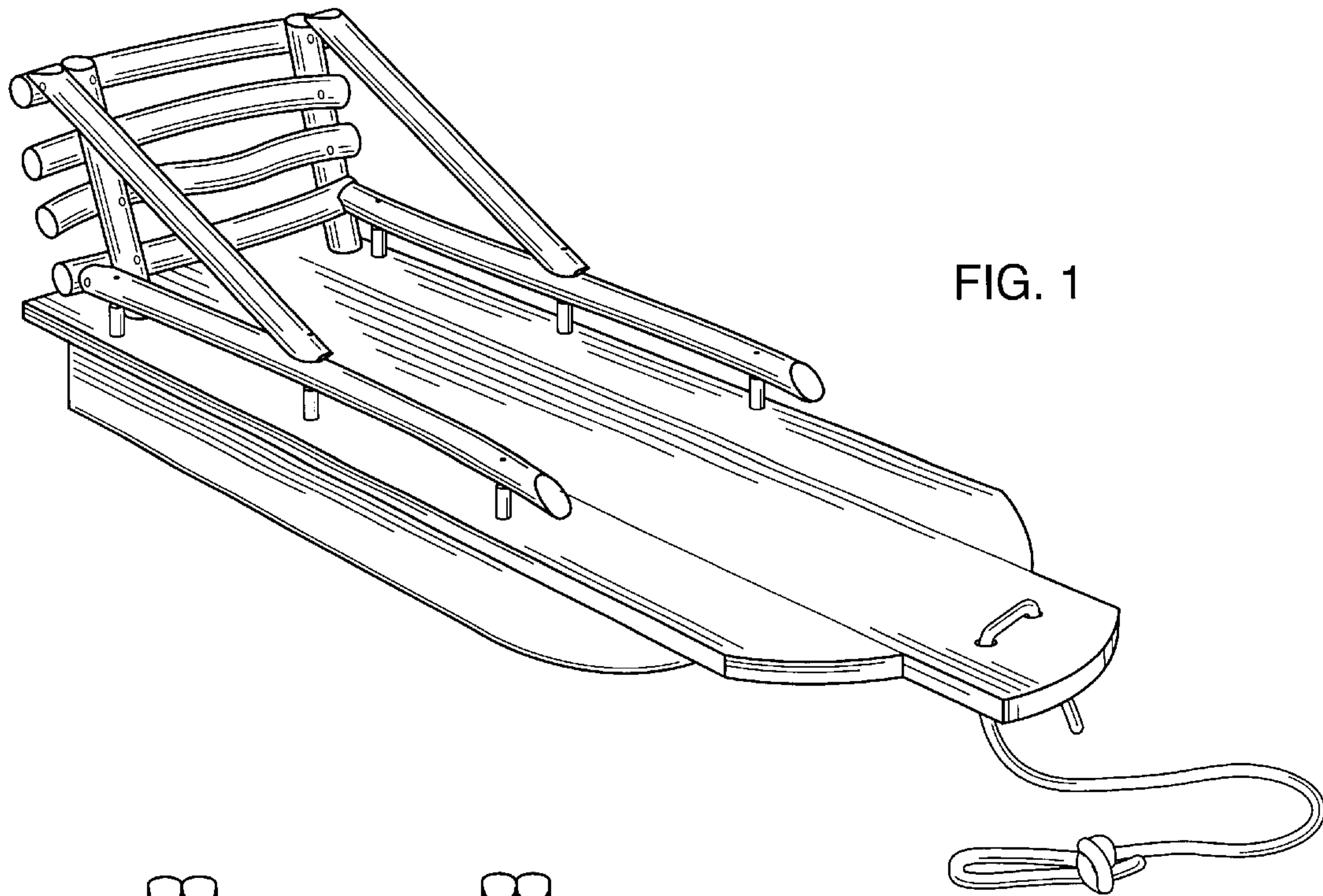


FIG. 1

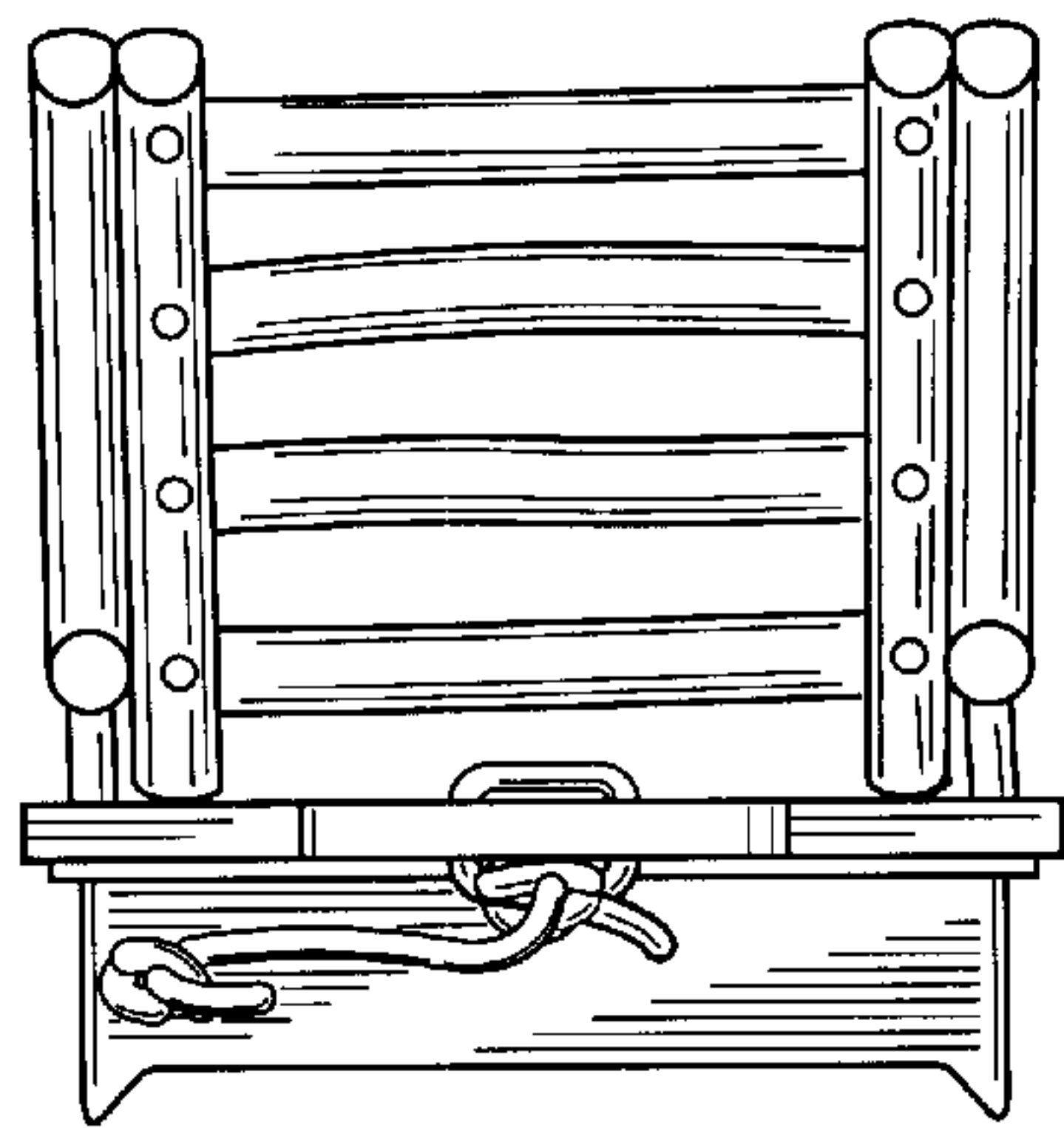


FIG. 2

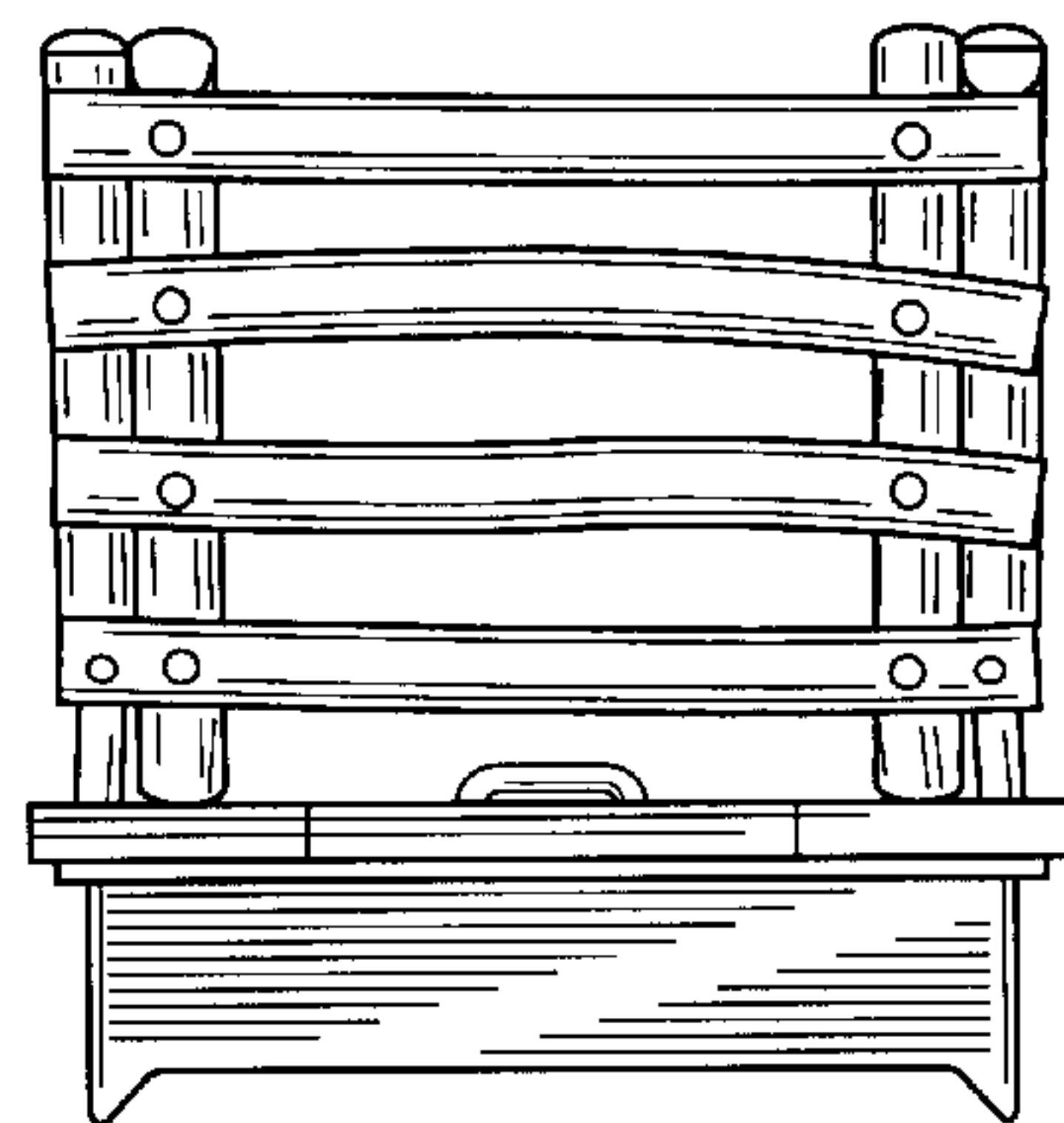


FIG. 3

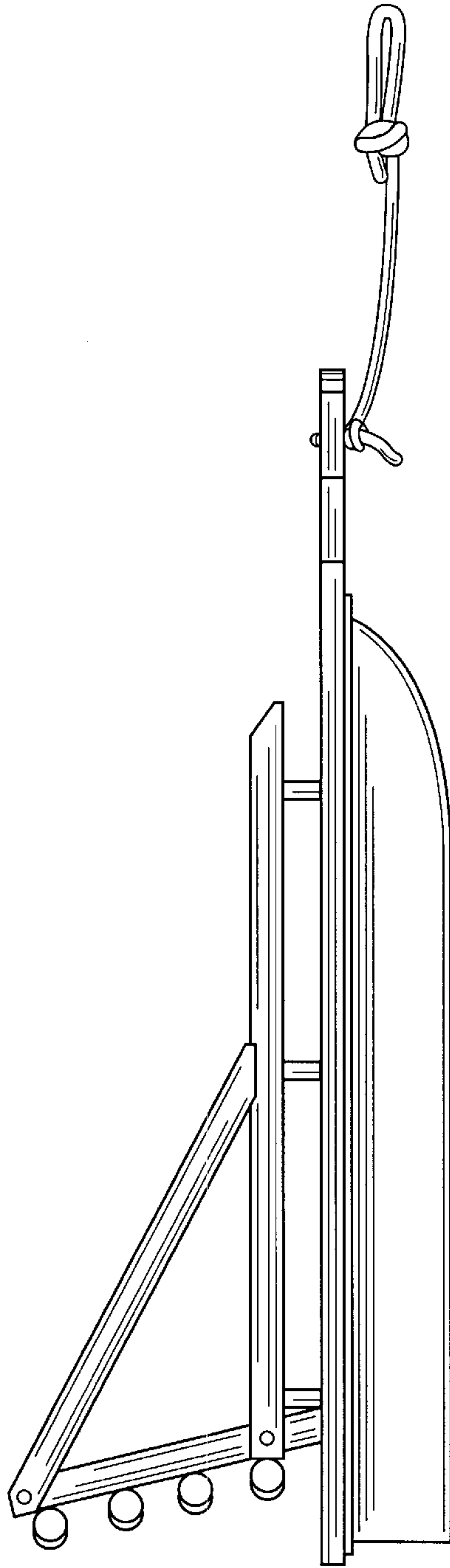


FIG. 4

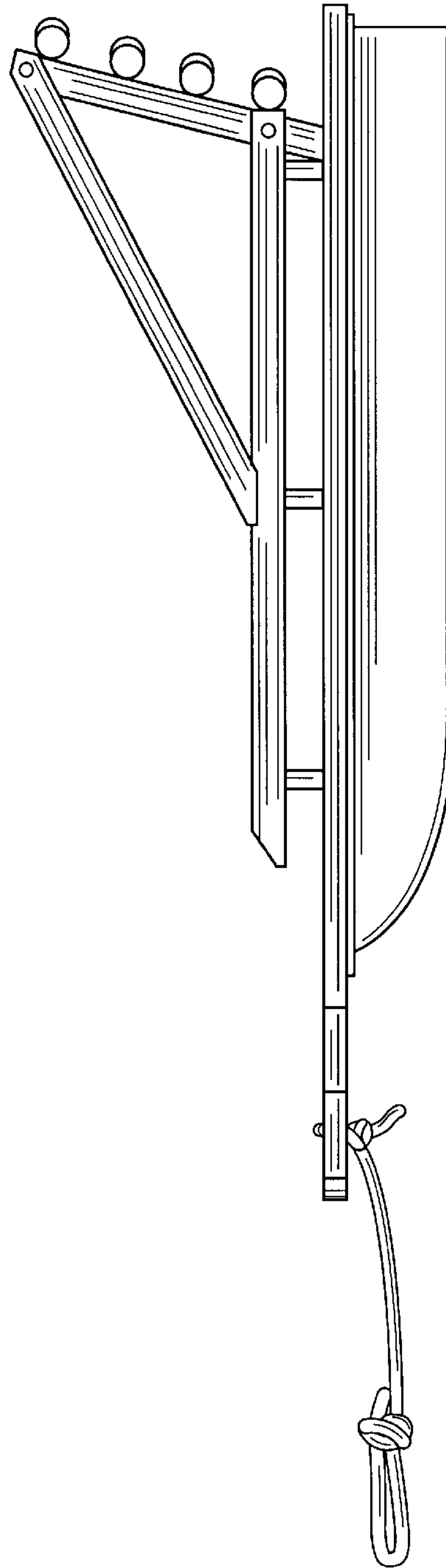


FIG. 5

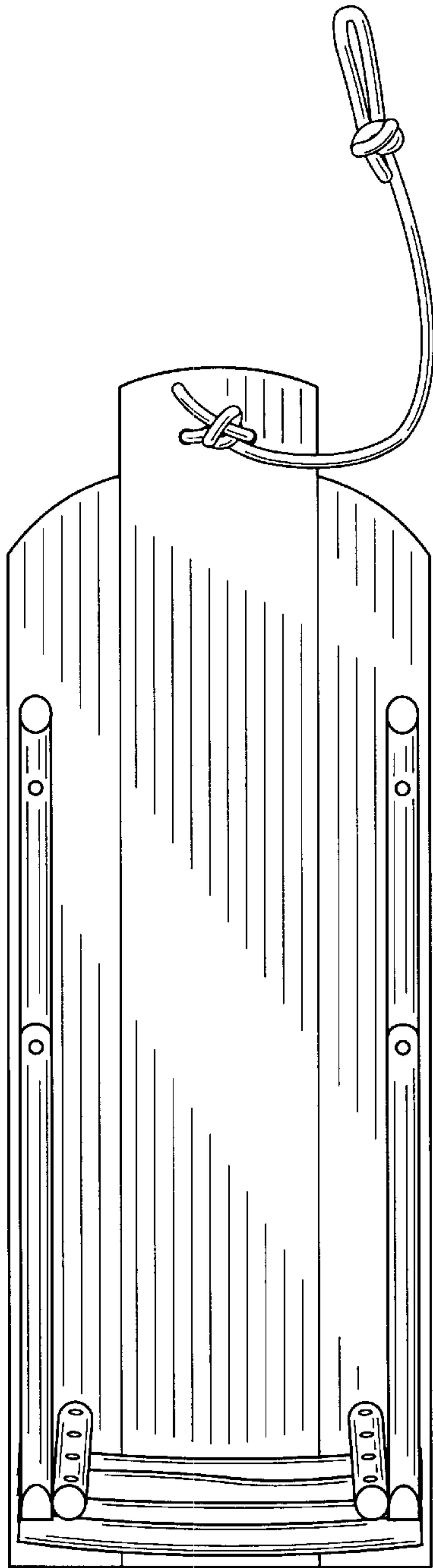


FIG. 6

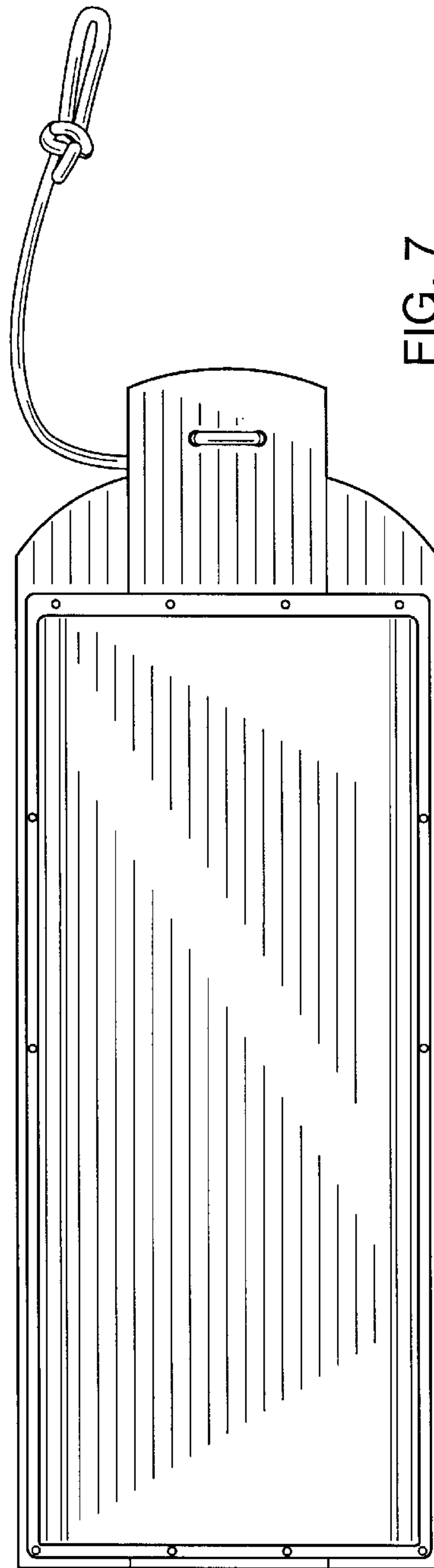


FIG. 7