



US00D539698S

(12) **United States Design Patent**
Choi

(10) **Patent No.:** **US D539,698 S**

(45) **Date of Patent:** **** Apr. 3, 2007**

(54) **SQUARE SNAP BUTTON RECEIVING PORTION**

(75) Inventor: **Chi Ming Choi**, New Territories (HK)

(73) Assignee: **Ching Fung Apparel Accessories Co., Ltd.**, Kowloon (HK)

(**) Term: **14 Years**

(21) Appl. No.: **29/232,705**

(22) Filed: **Jun. 22, 2005**

(51) **LOC (8) Cl.** **02-07**

(52) **U.S. Cl.** **D11/220**

(58) **Field of Classification Search** D11/220,
D11/200; 24/113 R, 113 MP, 114.9, 662-681,
24/623, 693-695, 303, 682.1; D8/382
See application file for complete search history.

(56) **References Cited**

U.S. PATENT DOCUMENTS

2,546,716	A	*	3/1951	Bedford, Jr.	24/681
3,152,376	A	*	10/1964	Boser et al.	24/618
D430,483	S	*	9/2000	Wah et al.	D11/220
D473,820	S	*	4/2003	Ming	D11/220
D477,246	S	*	7/2003	Takeda	D11/220

* cited by examiner

Primary Examiner—Catherine R. Oliver

(74) *Attorney, Agent, or Firm*—Seed IP Law Group PLLC

(57) **CLAIM**

The ornamental design for a square snap button receiving portion, as shown and described.

DESCRIPTION

FIG. 1 is a perspective view of a square snap button receiving portion showing my new design;

FIG. 2 is a top plan view thereof.

FIG. 3 is a side view thereof.

FIG. 4 is a side view thereof rotated 30° from the position of FIG. 3.

FIG. 5 is a perspective view of an alternative embodiment of a square snap button receiving portion showing my new design;

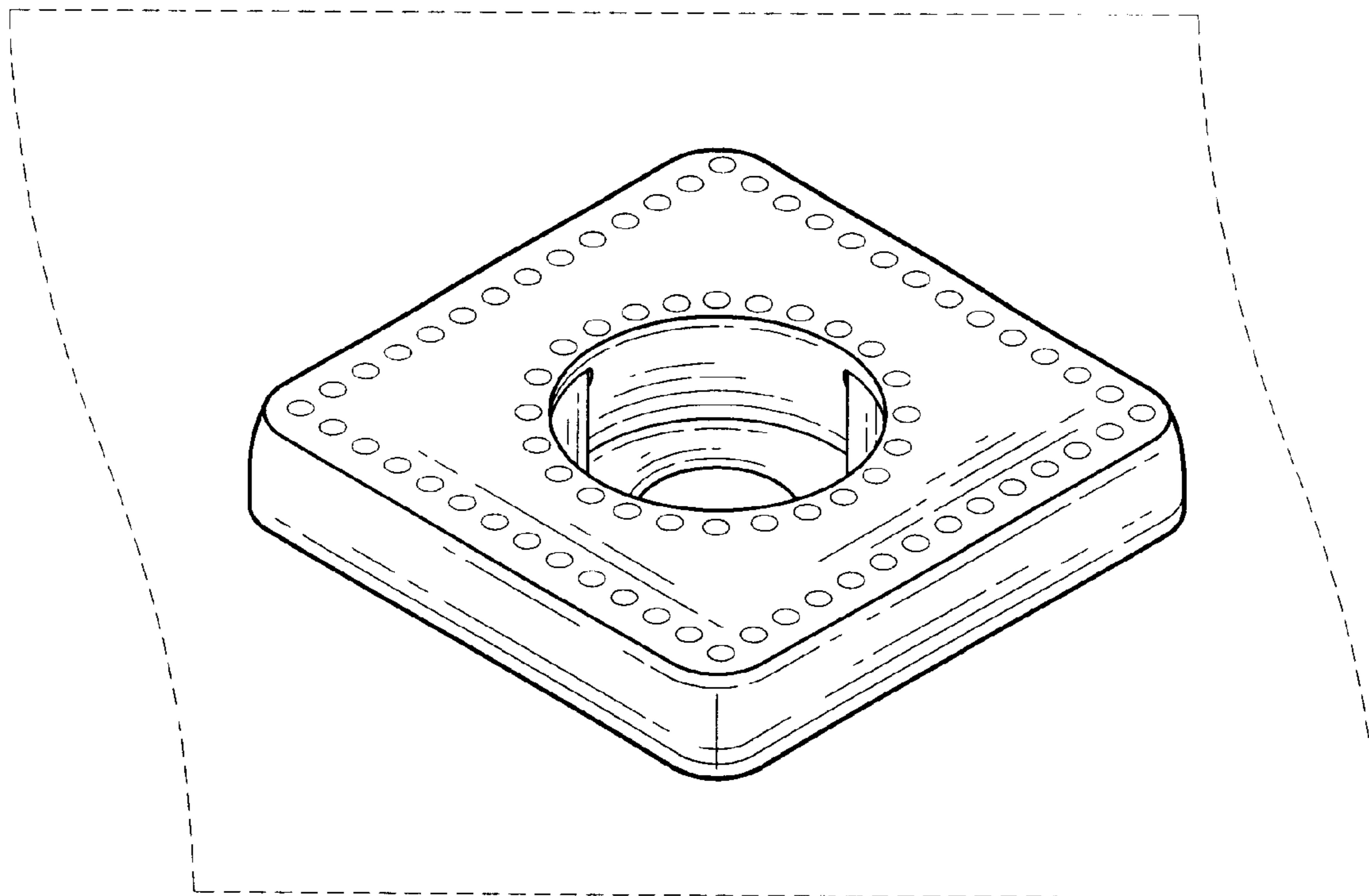
FIG. 6 is a top plan view of the design of FIG. 5.

FIG. 7 is a top plan view of yet another alternative embodiment of a square snap button receiving portion showing the new design; and,

FIG. 8 is a top plan view of the alternative embodiment of FIG. 7.

The broken lines are for illustrative purposes only and form no part of the claimed design for the respective embodiments.

1 Claim, 4 Drawing Sheets



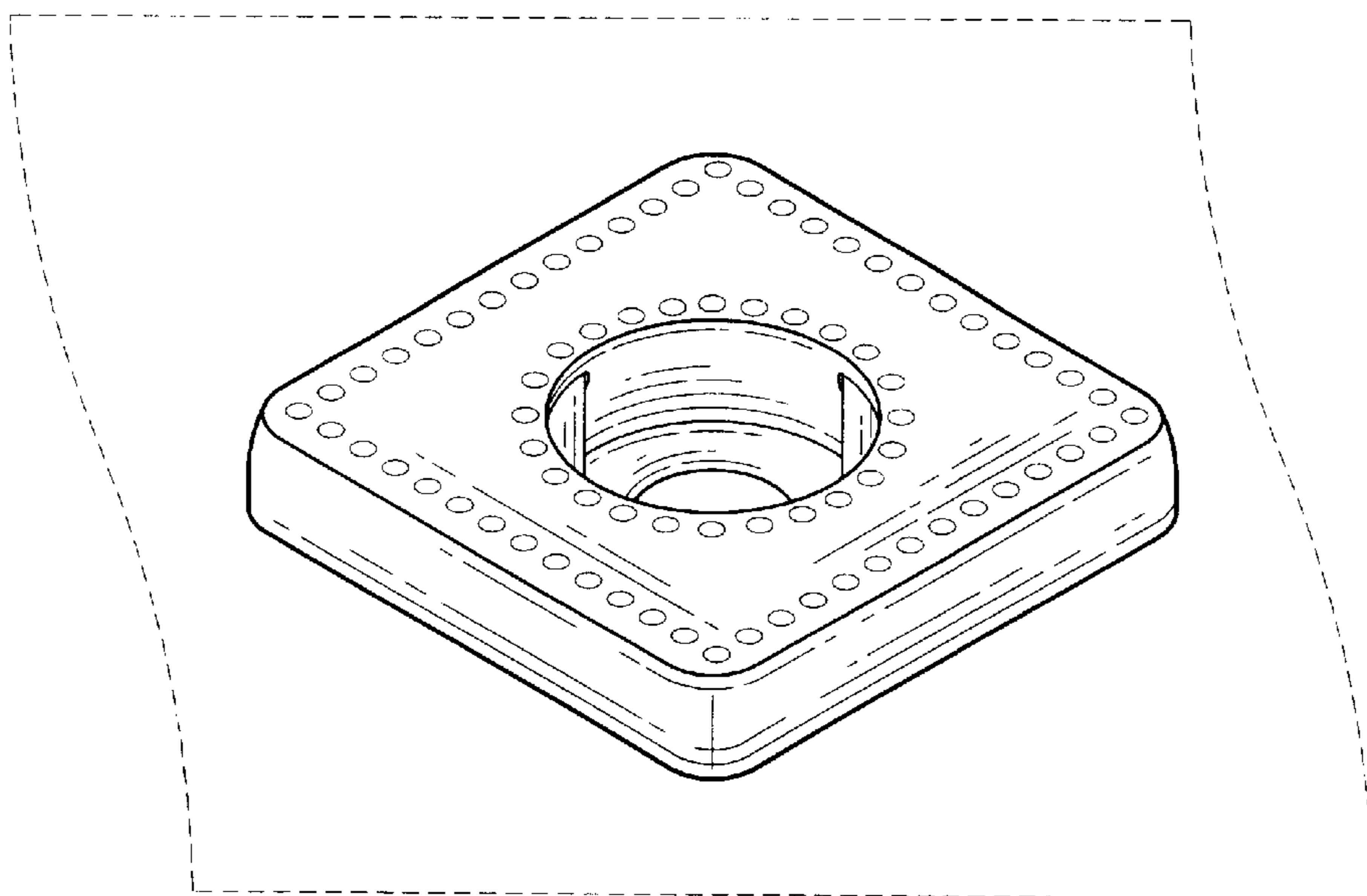


Fig. 1

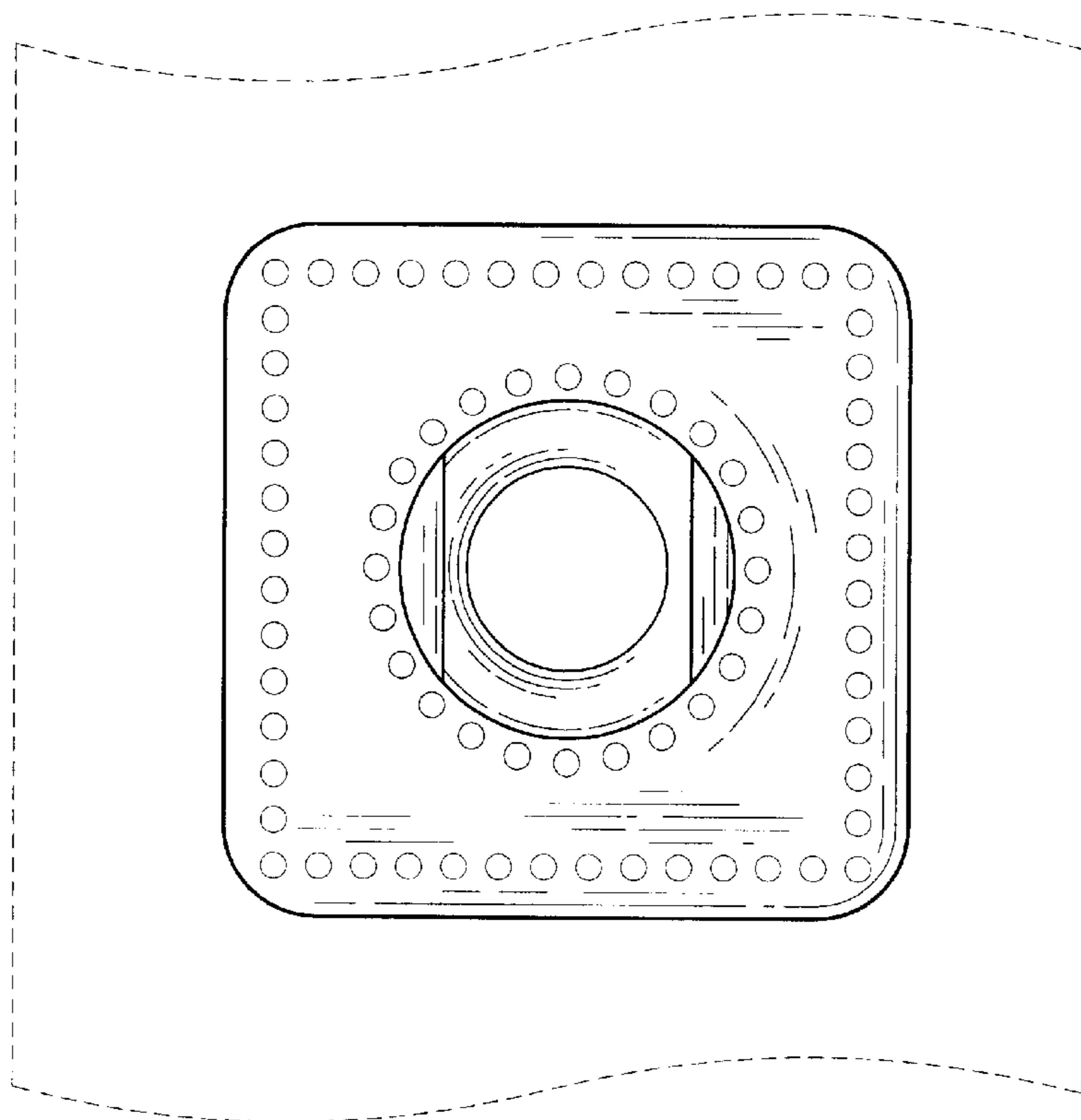


Fig. 2

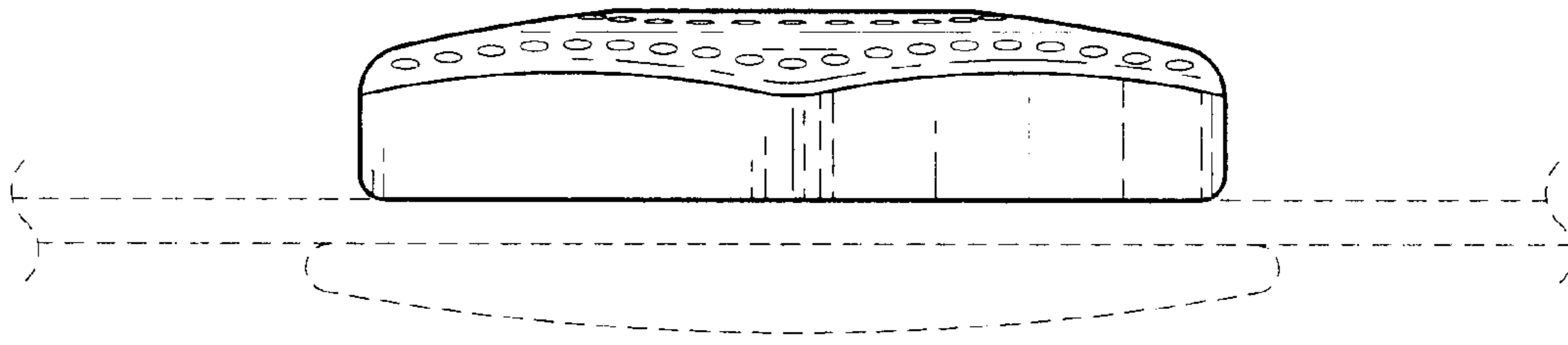


Fig. 3

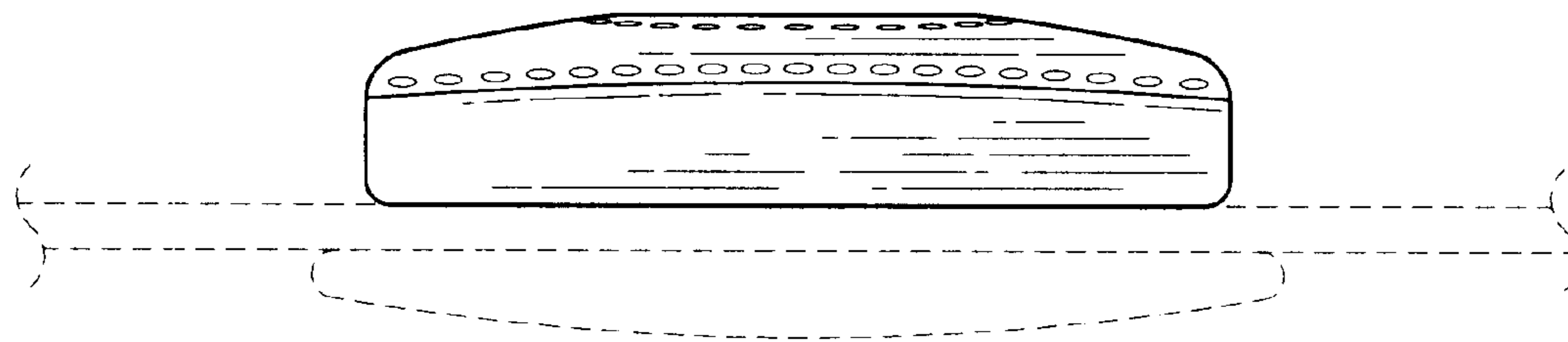


Fig. 4

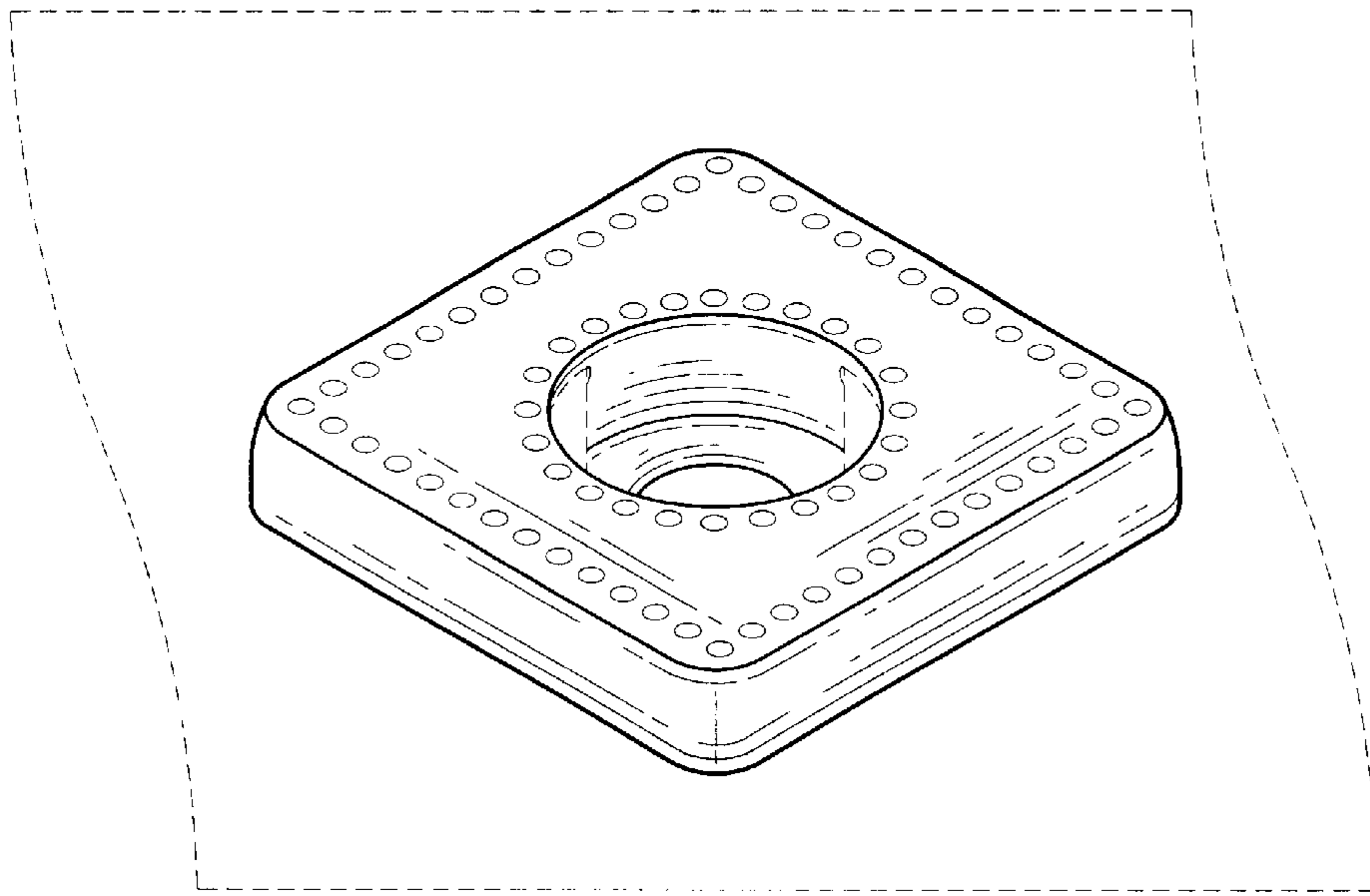


Fig. 5

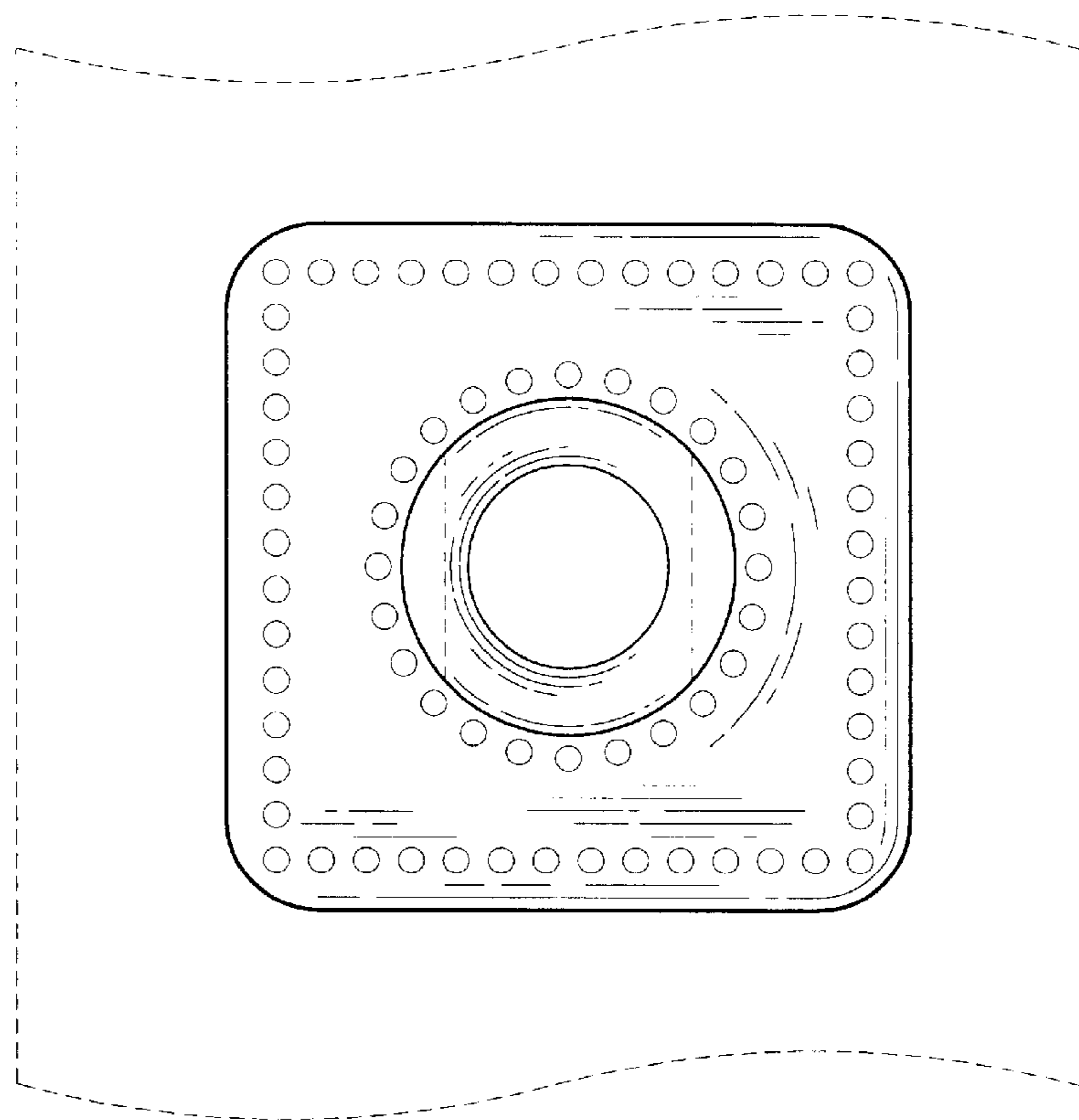


Fig. 6

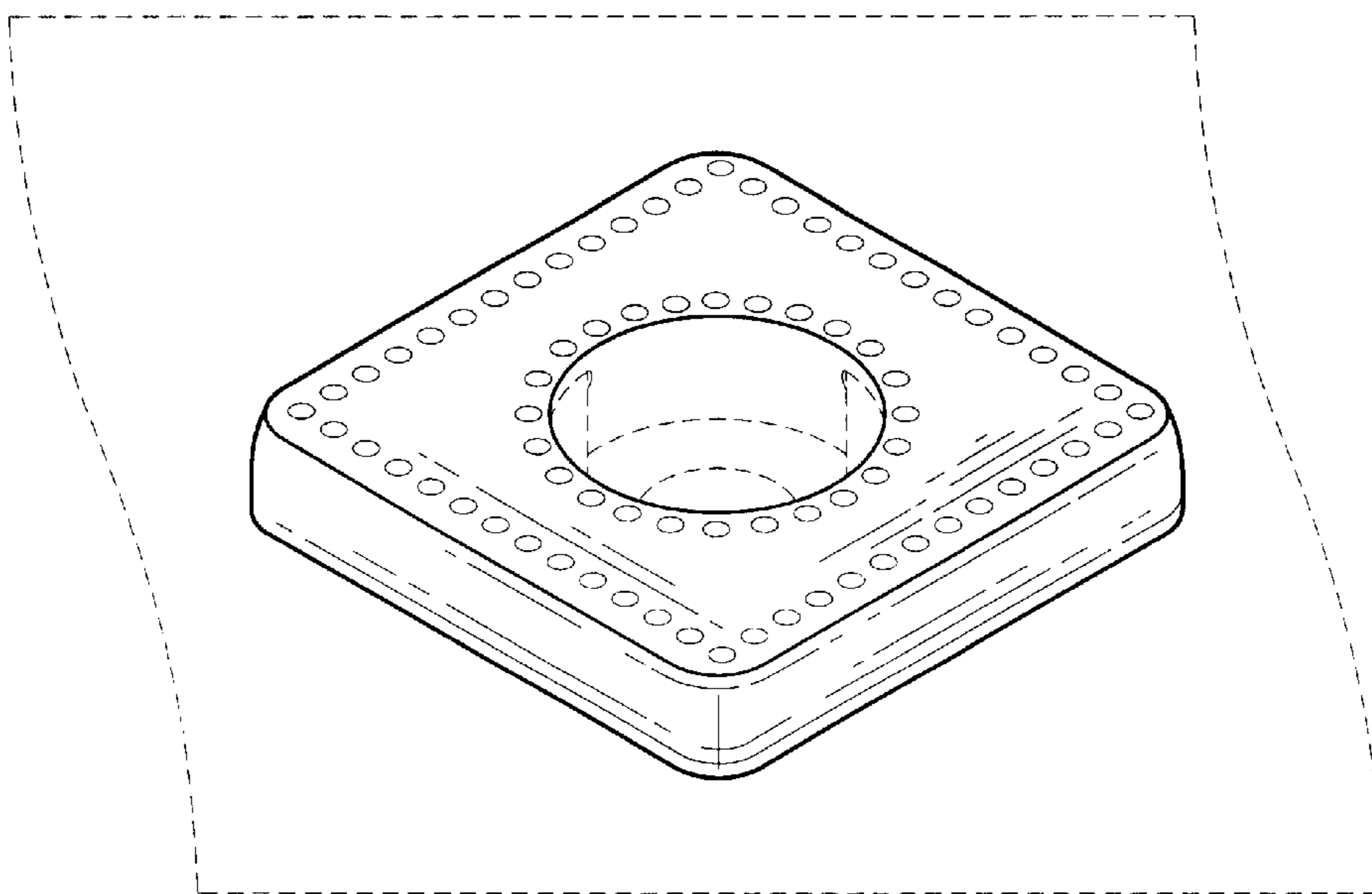


Fig. 7

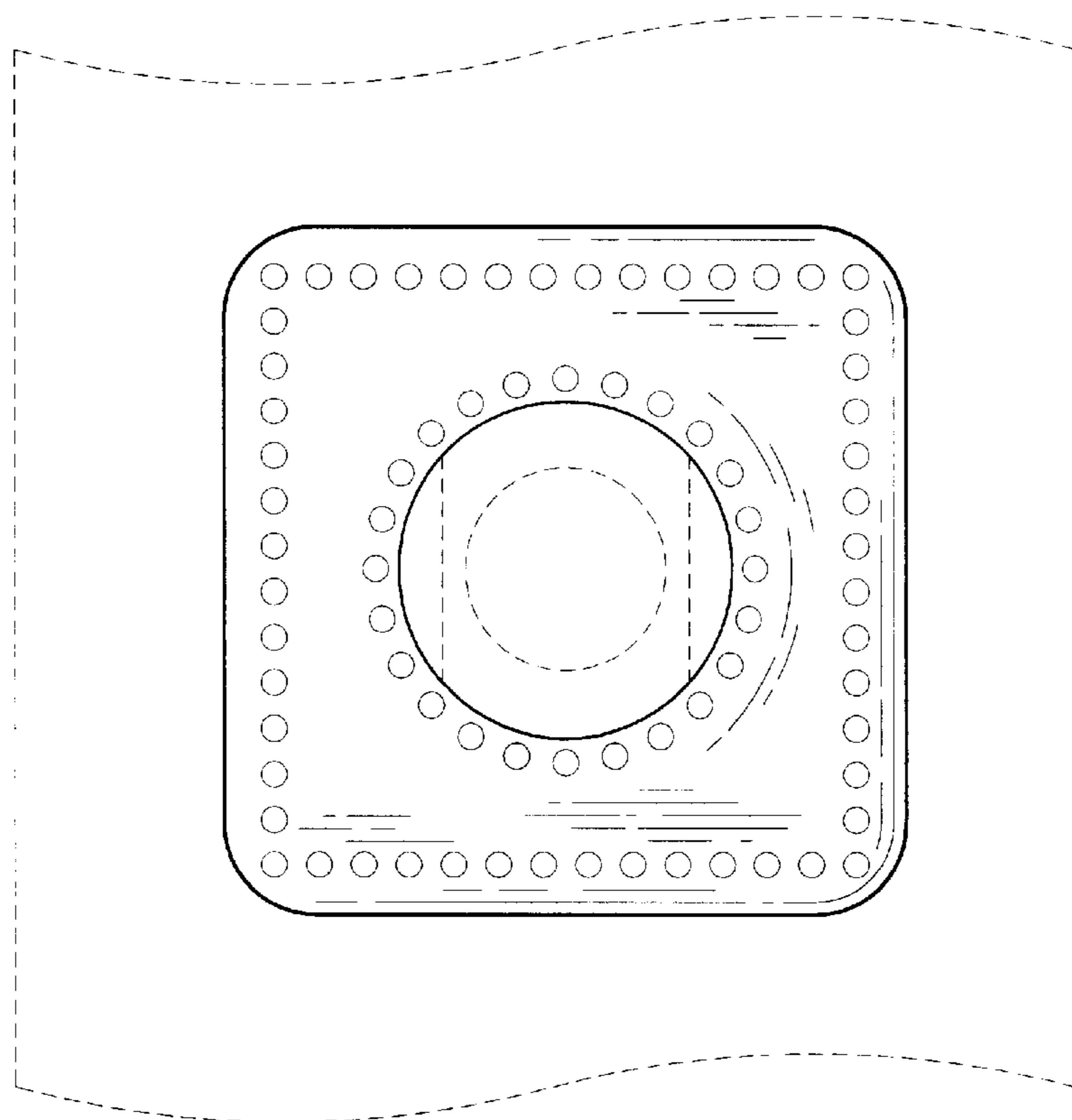


Fig. 8