



US00D539685S

(12) **United States Design Patent** (10) **Patent No.:** **US D539,685 S**
Ross, Jr. et al. (45) **Date of Patent:** **** Apr. 3, 2007**

(54) **DIAL ASSEMBLY DESIGN**
(75) Inventors: **Herbert G. Ross, Jr.**, Argyle, TX (US);
Danny E. Swindler, Prosper, TX (US)
(73) Assignee: **Rochester Gauges, Inc.**, Dallas, TX
(US)
(**) Term: **14 Years**

D413,826 S 9/1999 Housey et al.
D414,711 S 10/1999 Hrcir
D419,091 S 1/2000 Pattison et al.
6,041,650 A 3/2000 Swindler et al.
D430,050 S 8/2000 Housey et al.
D431,483 S 10/2000 Housey
D440,994 S 4/2001 Ross, Jr.
6,679,116 B2 1/2004 Ross, Jr.
6,724,201 B2 * 4/2004 Sato et al. 324/714
2004/0154393 A1 8/2004 Taylor et al.

(21) Appl. No.: **29/231,524**
(22) Filed: **Jun. 7, 2005**

* cited by examiner
Primary Examiner—Antoine D. Davis
(74) *Attorney, Agent, or Firm*—Howison & Arnott, LLP

(51) **LOC (8) Cl.** **10-04**
(52) **U.S. Cl.** **D10/102; D10/103**
(58) **Field of Classification Search** D10/101,
D10/102-103, 122-125; 73/305, 313, 317,
73/318, 322.5, 290 R, 319, DIG. 5; 116/204,
116/284, 227, 56-62.4, 266, 271, DIG. 20,
116/DIG. 71; 324/200, 207.22
See application file for complete search history.

(57) **CLAIM**

The ornamental design for a dial assembly design, as shown and described.

DESCRIPTION

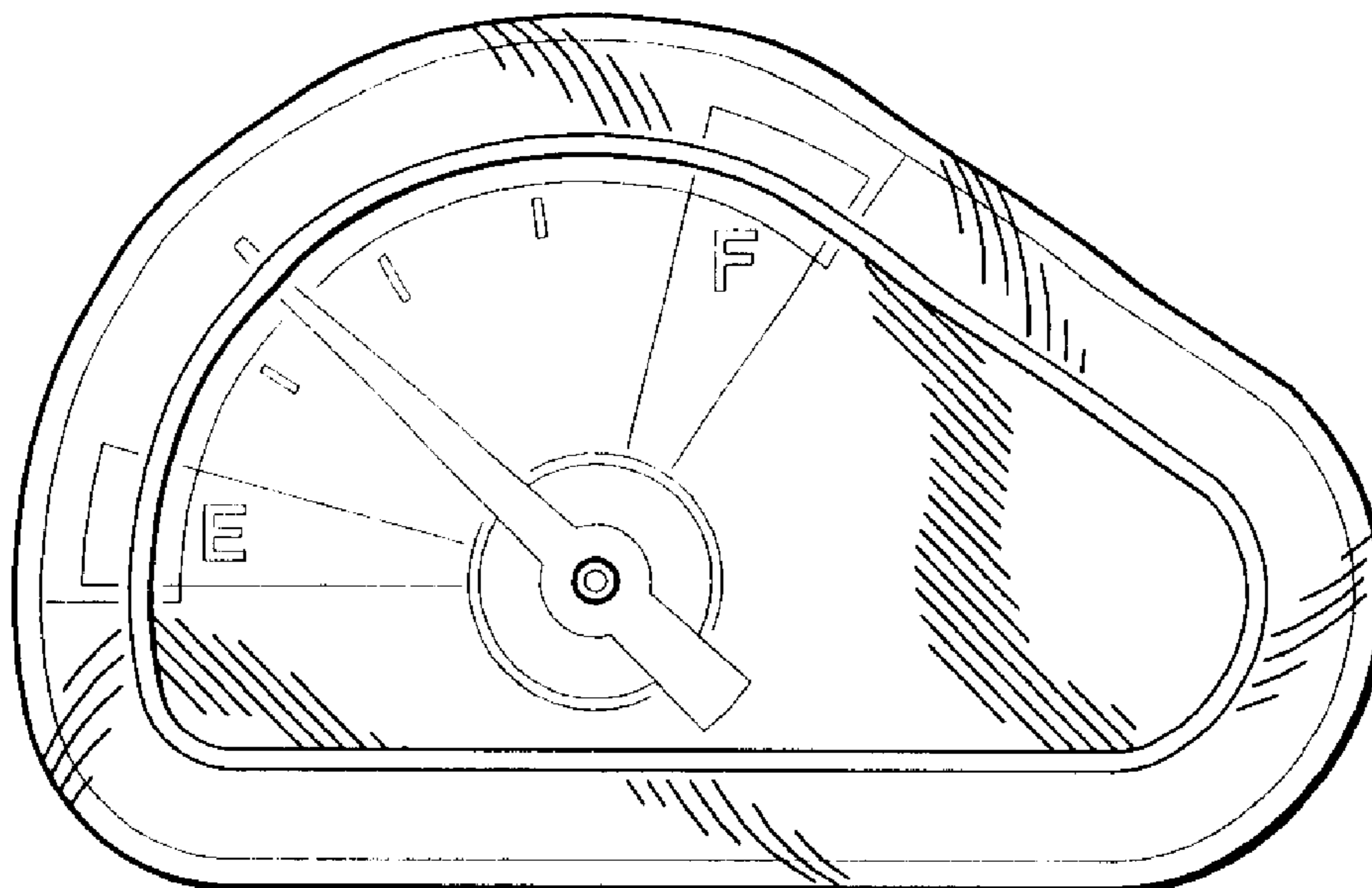
FIG. 1 is a front view of one embodiment the dial assembly; FIG. 2 is a top view of one embodiment the dial assembly; FIG. 3 is back view of one embodiment the dial assembly; FIG. 4 is a bottom view of one embodiment the dial assembly; FIG. 5 is a perspective view of one embodiment the dial assembly; FIG. 6 is a right side view of one embodiment the dial assembly; FIG. 7 is a left side view of one embodiment the dial assembly; and, FIG. 8 is a perspective view of another embodiment the dial assembly showing the needle in a second location. The portions in broken lines showing other parts are for illustrative purposes of depicting the environment only and form no part of the claimed design.

(56) **References Cited**

U.S. PATENT DOCUMENTS

1,617,819 A * 2/1927 Mabie 73/306
1,822,735 A * 9/1931 Hastings 73/291
4,595,301 A 6/1986 Taylor
4,911,011 A 3/1990 Fekete et al.
D313,949 S 1/1991 Fekete
4,987,400 A 1/1991 Fekete
D363,888 S 11/1995 Williamson
D379,316 S 5/1997 Williamson
D386,997 S 12/1997 Williamson
D397,306 S 8/1998 Ross, Jr.
D397,630 S 9/1998 Clifton
5,800,221 A * 9/1998 Dombrowski et al. 440/2
D399,444 S 10/1998 Ross, Jr.
D402,220 S 12/1998 Clifton

1 Claim, 2 Drawing Sheets



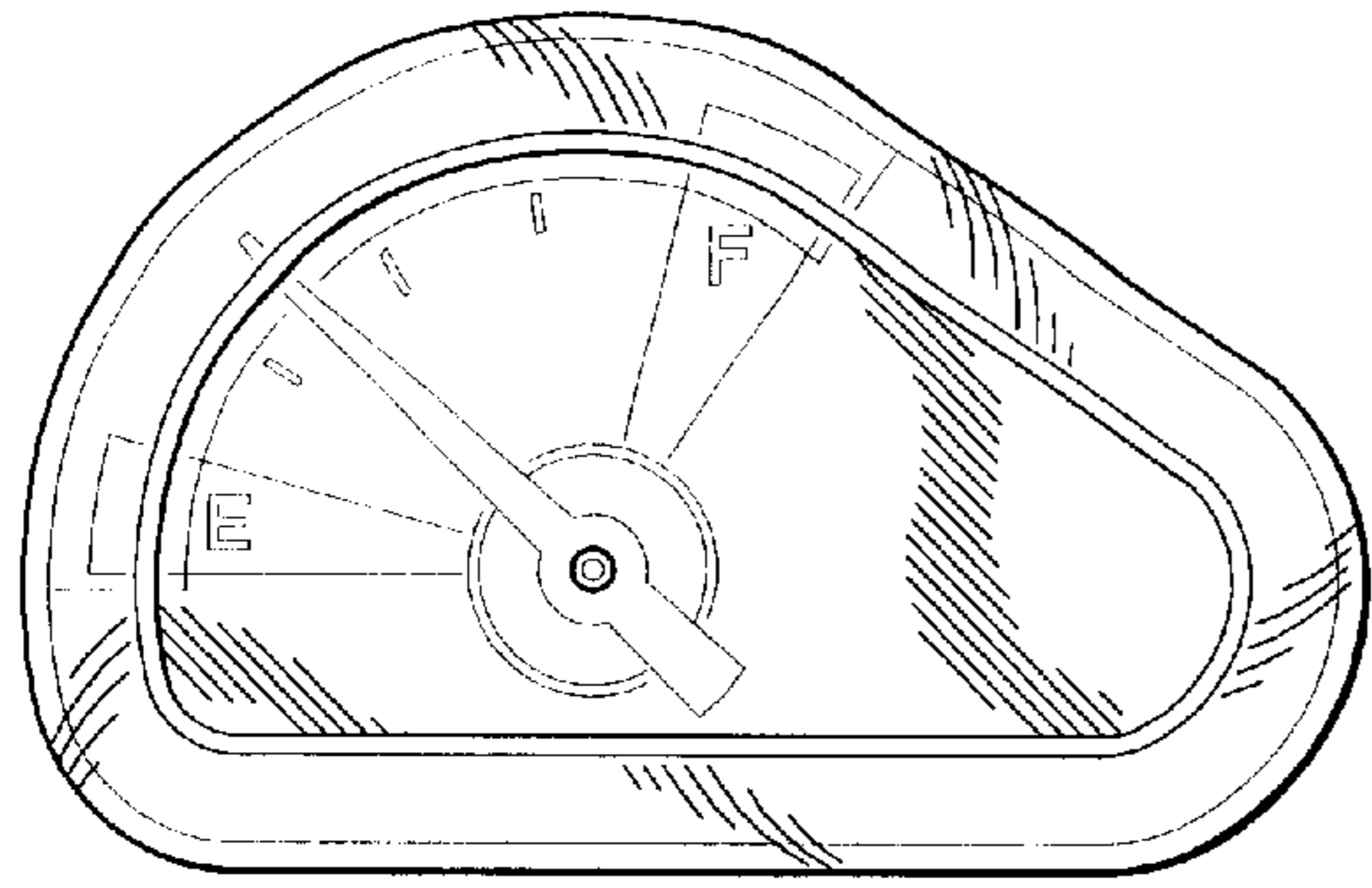


FIG. 1

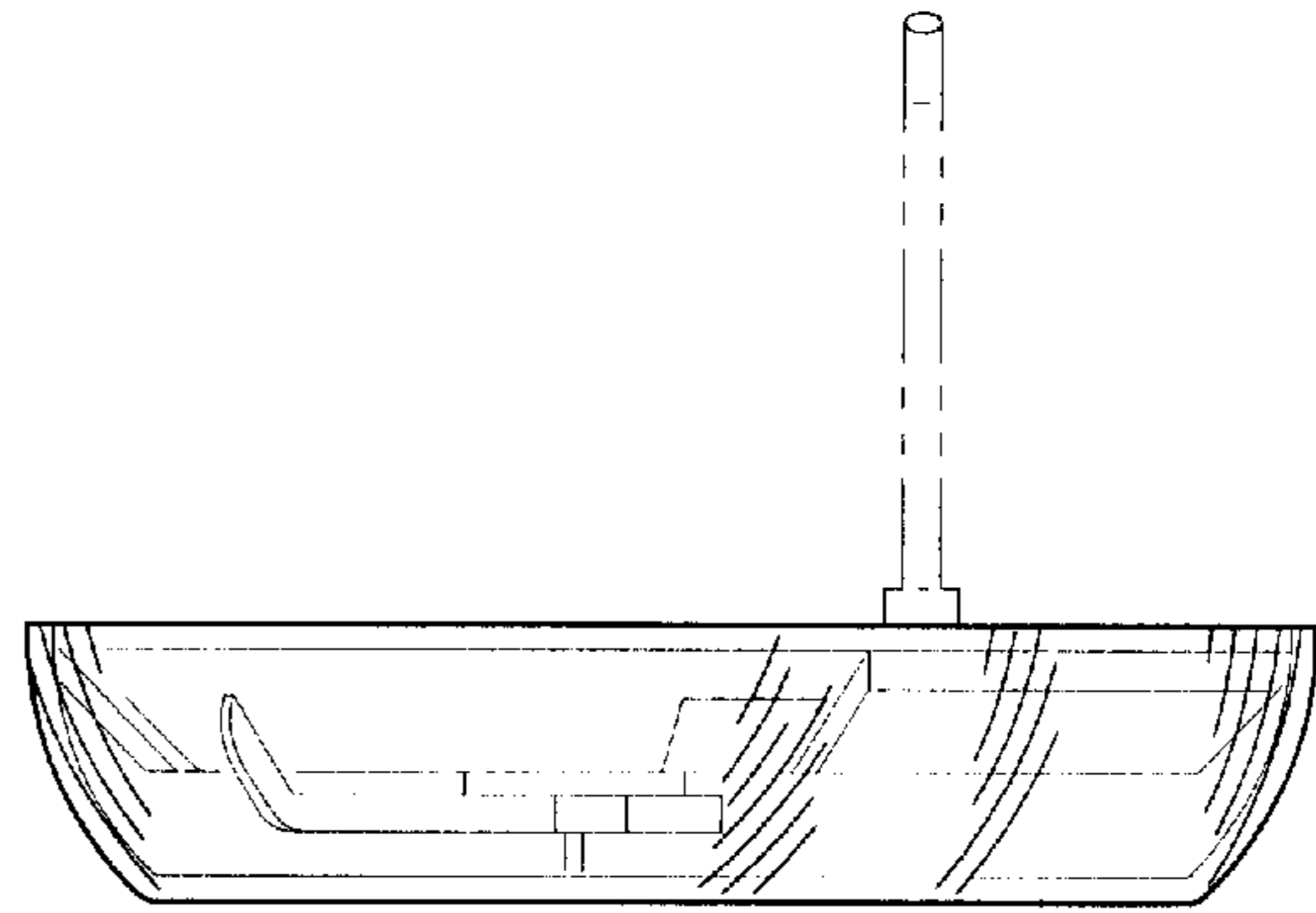


FIG. 2

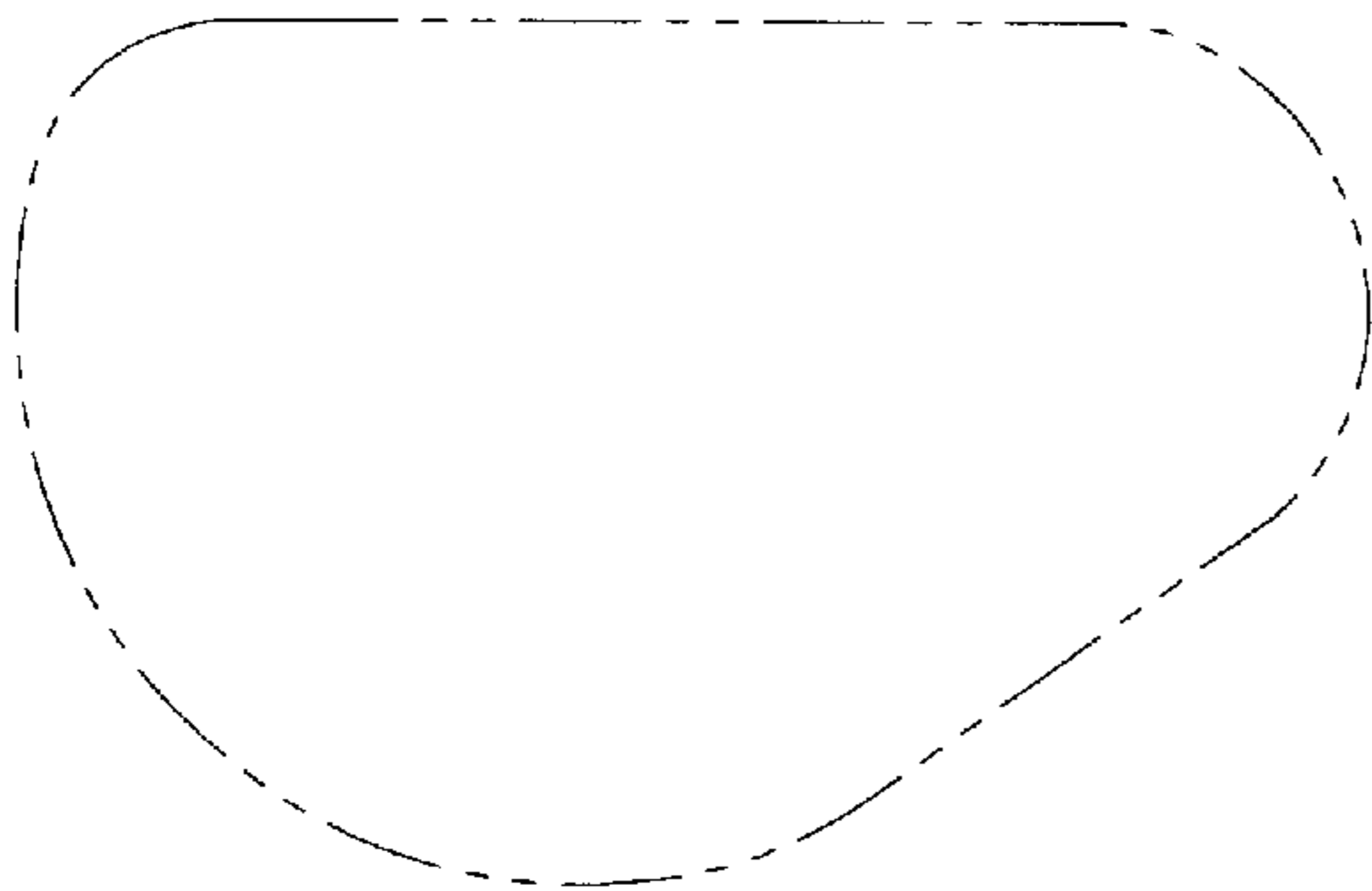


FIG. 3

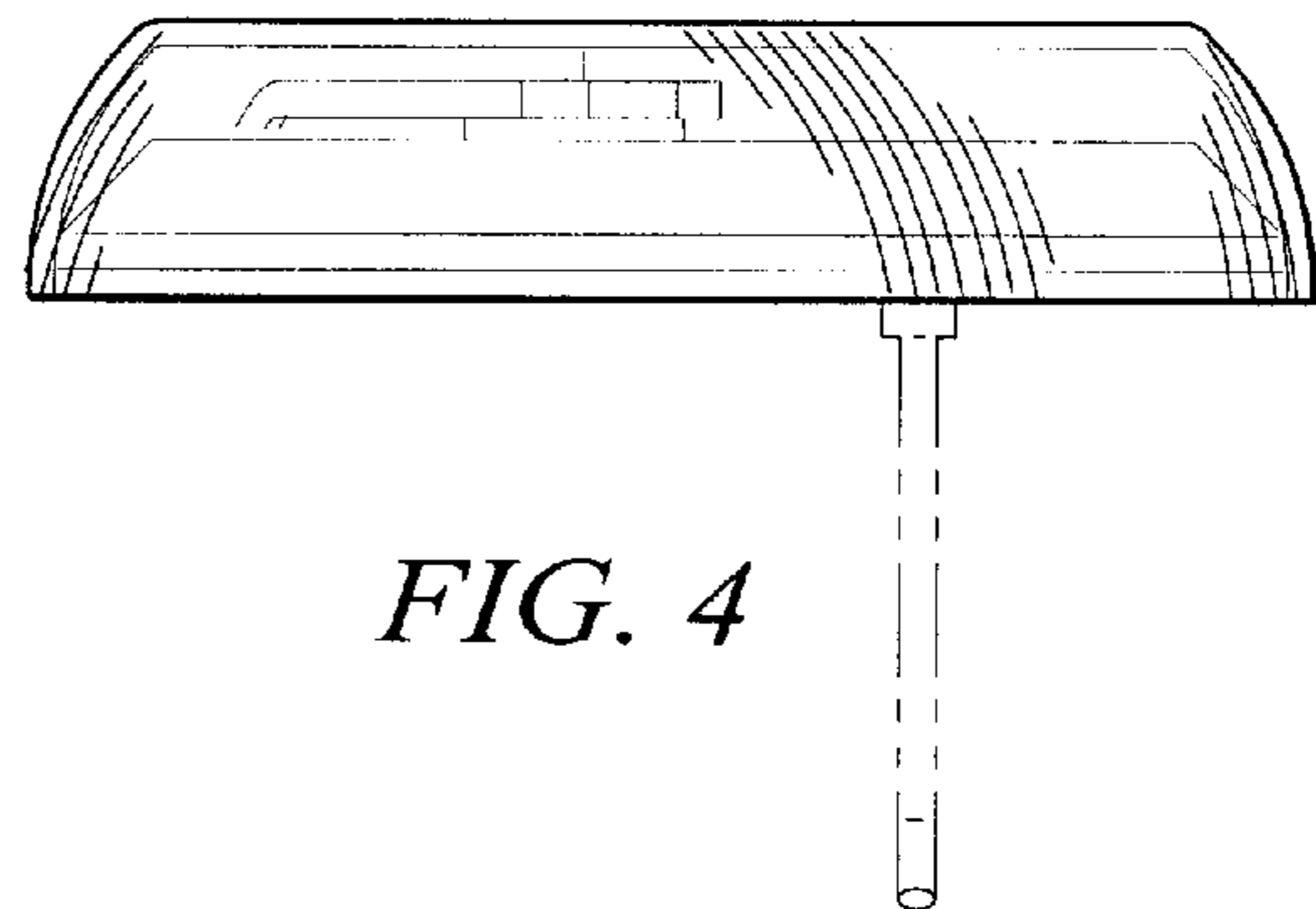


FIG. 4

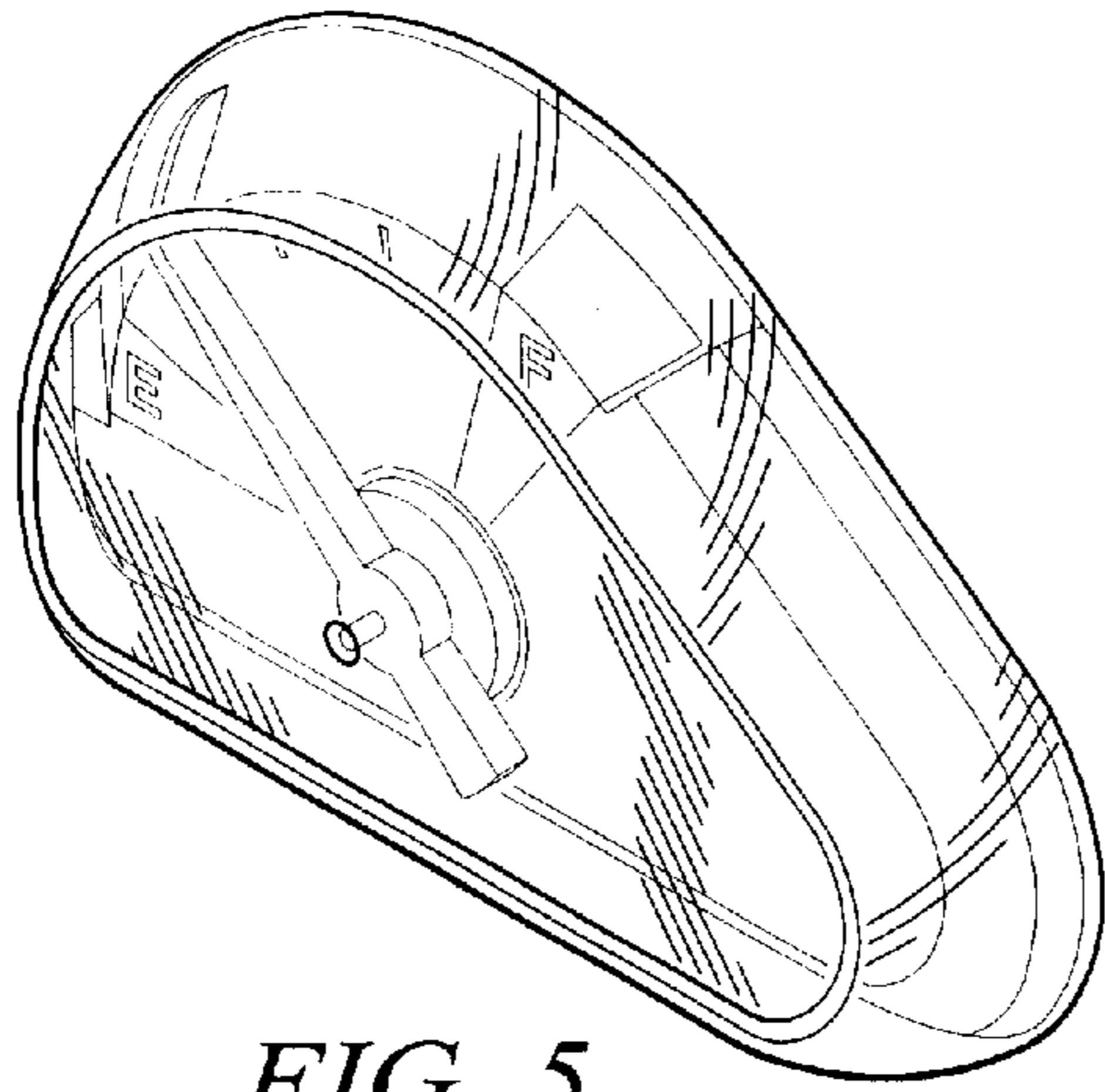


FIG. 5

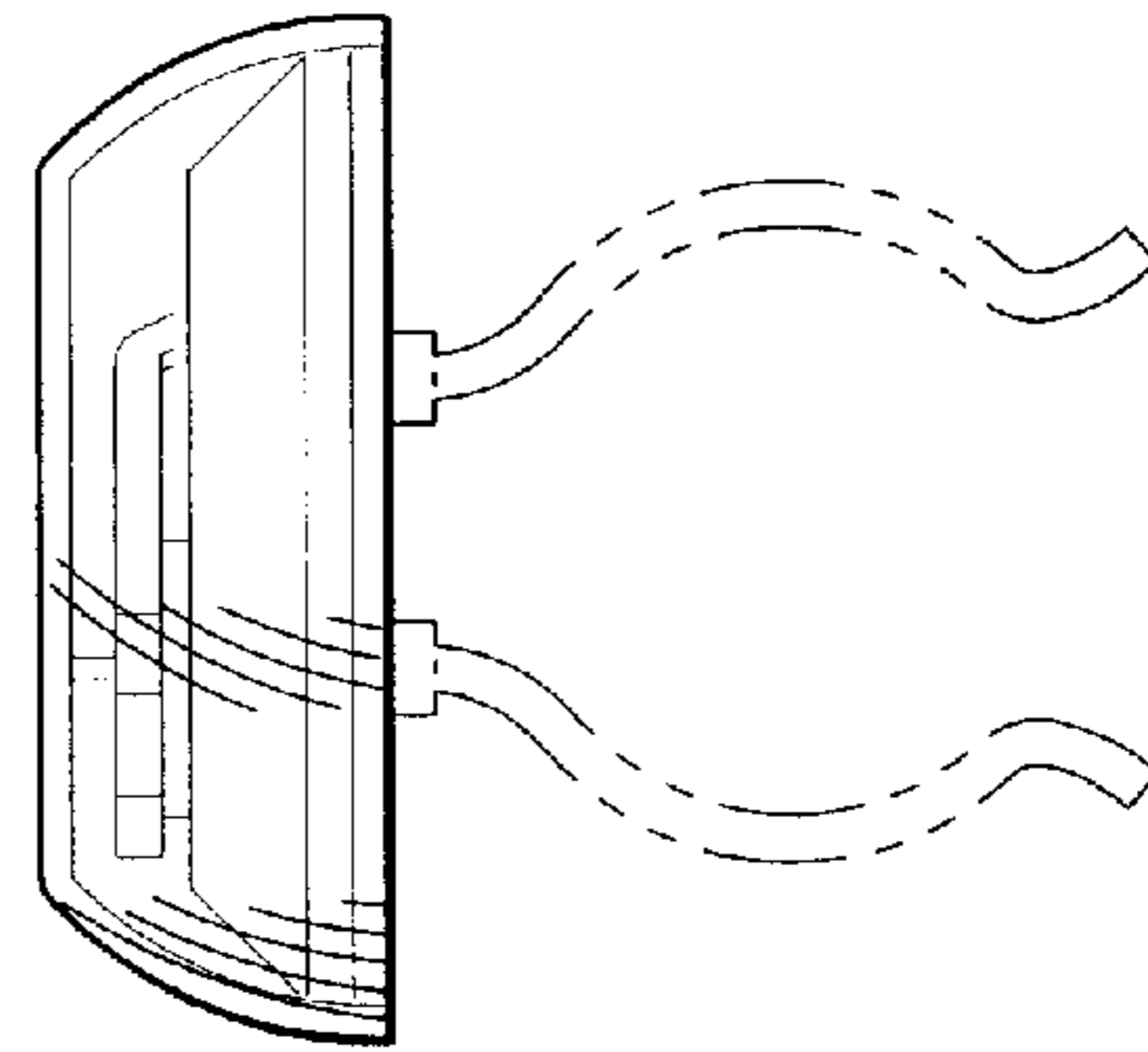


FIG. 6

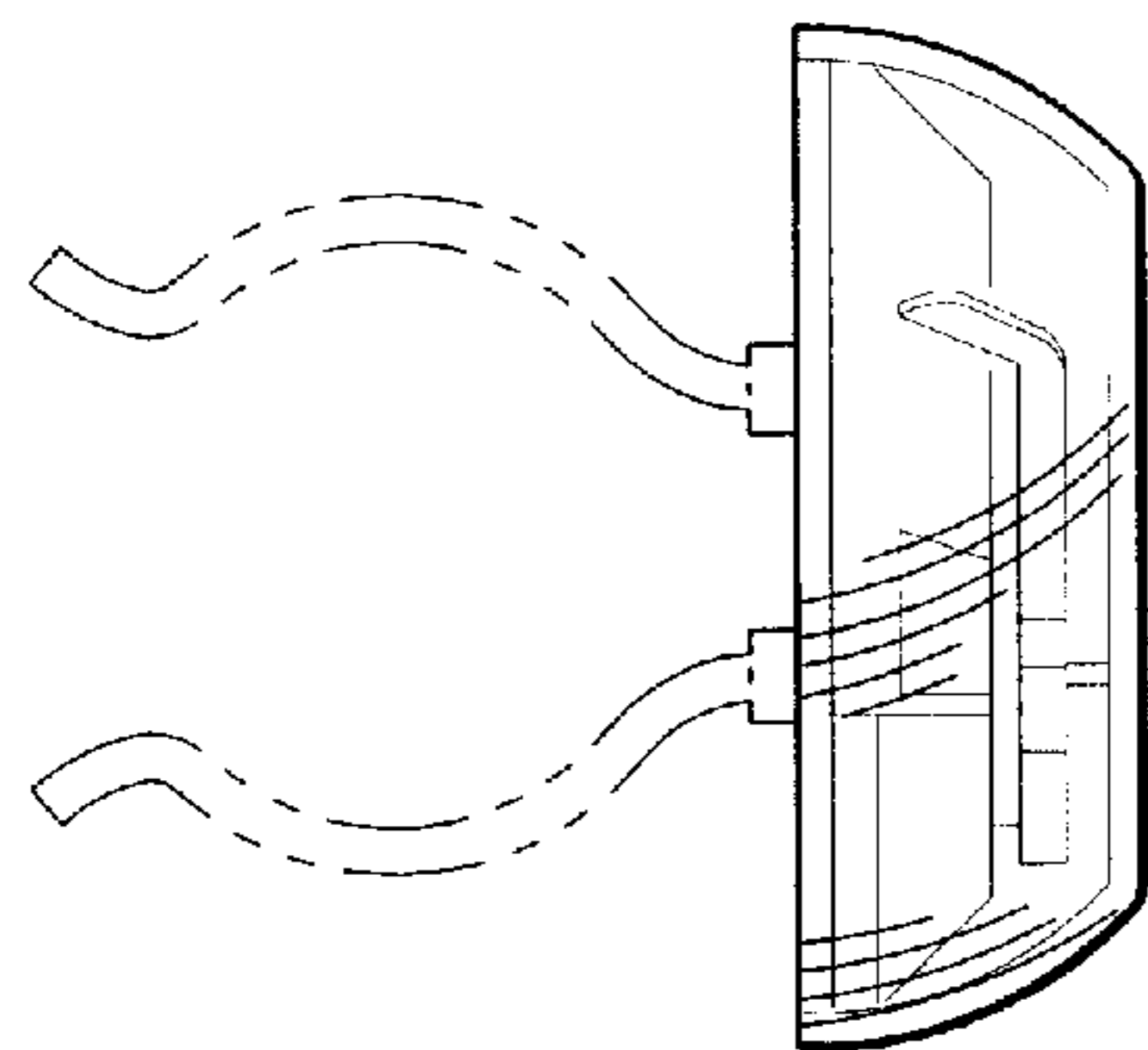


FIG. 7

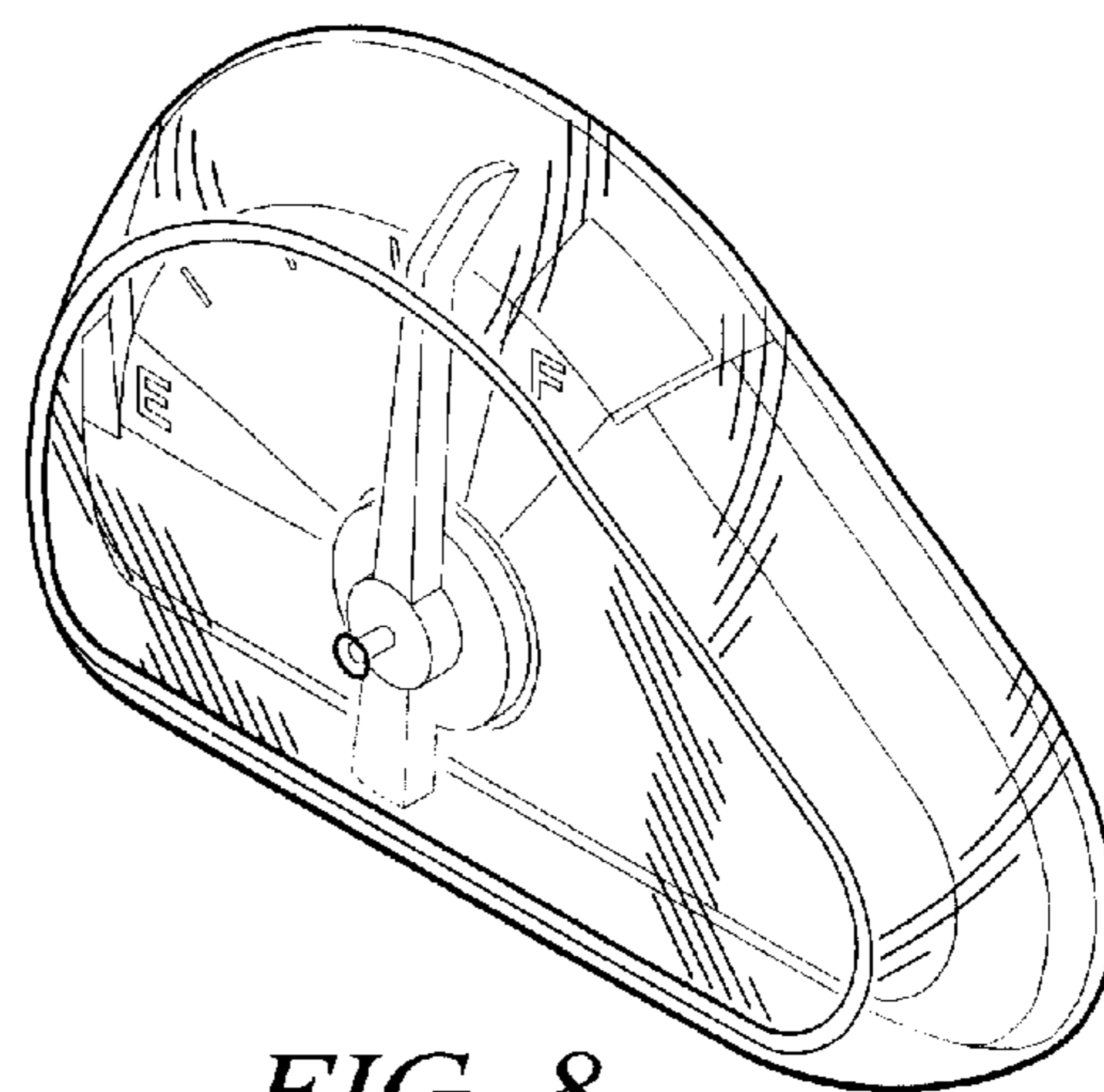


FIG. 8