



US00D539684S

(12) **United States Design Patent**
Kitamura et al.

(10) **Patent No.:** **US D539,684 S**

(45) **Date of Patent:** **** Apr. 3, 2007**

(54) **ALCOHOL SENSOR**

(75) Inventors: **Hanae Kitamura**, Tokyo (JP);
Teruhisa Numata, Tokyo (JP)

(73) Assignee: **Tanita Corporation**, Tokyo (JP)

(**) Term: **14 Years**

(21) Appl. No.: **29/255,191**

(22) Filed: **Mar. 7, 2006**

(30) **Foreign Application Priority Data**

Sep. 13, 2005 (JP) 2005-026469

(51) **LOC (8) Cl.** **10-04**

(52) **U.S. Cl.** **D10/81**

(58) **Field of Classification Search** D10/81;
128/719, 745; 180/272; 340/576; 422/84;
436/132, 900; 600/532

See application file for complete search history.

(56) **References Cited**

U.S. PATENT DOCUMENTS

4,487,055 A * 12/1984 Wolf 73/23.3
4,996,161 A * 2/1991 Connors et al. 436/132
D333,441 S * 2/1993 Greene D10/81

D362,642 S * 9/1995 Howse D10/81
D381,885 S * 8/1997 Lane D10/81
6,454,723 B1 * 9/2002 Montagnino 600/532
6,824,520 B2 * 11/2004 Orr et al. 600/529
6,899,683 B2 * 5/2005 Mault et al. 600/531
D521,885 S * 5/2006 Eddy et al. D10/81

* cited by examiner

Primary Examiner—Antoine D. Davis

(74) *Attorney, Agent, or Firm*—McDermott Will & Emery
LLP

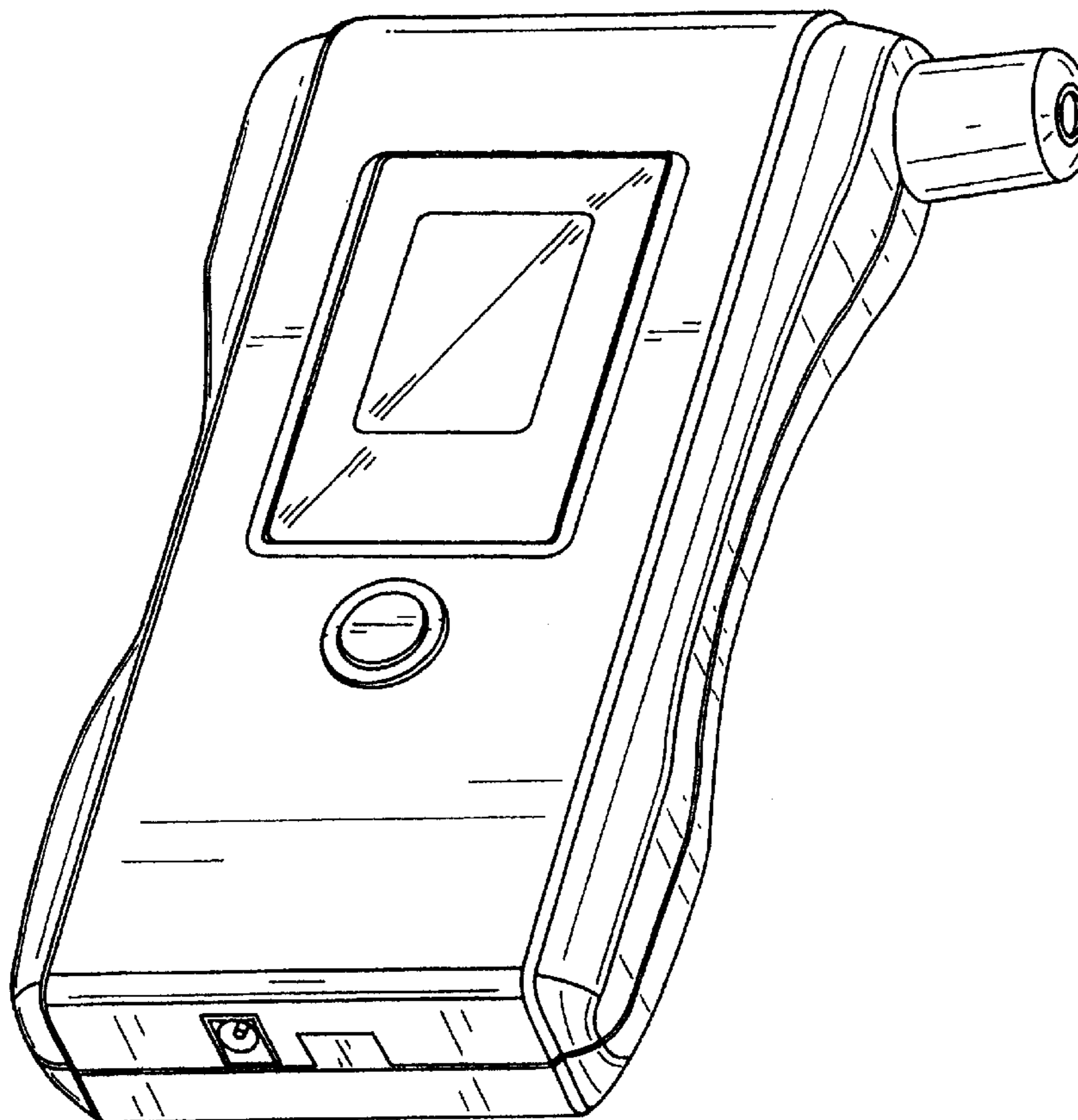
(57) **CLAIM**

The ornamental design for an alcohol sensor, as shown and described.

DESCRIPTION

FIG. 1 is a front perspective view of the alcohol sensor showing the new design;
FIG. 2 is a front view of the alcohol sensor;
FIG. 3 is a rear view of the alcohol sensor;
FIG. 4 is a side view of the alcohol sensor;
FIG. 5 is another side view of the alcohol sensor;
FIG. 6 is a top view of the alcohol sensor; and,
FIG. 7 is a bottom view of the alcohol sensor.

1 Claim, 5 Drawing Sheets



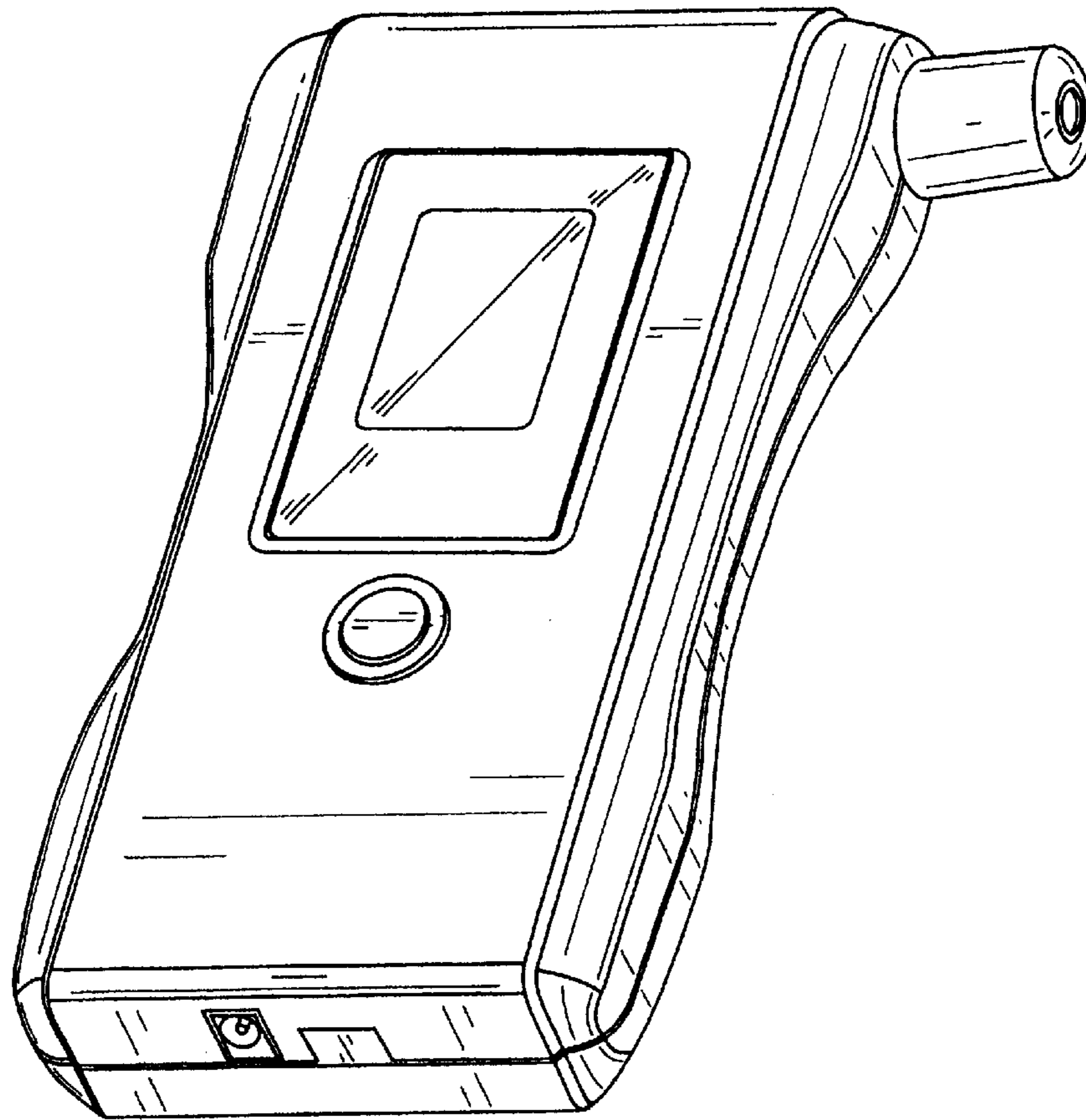


FIG. 1

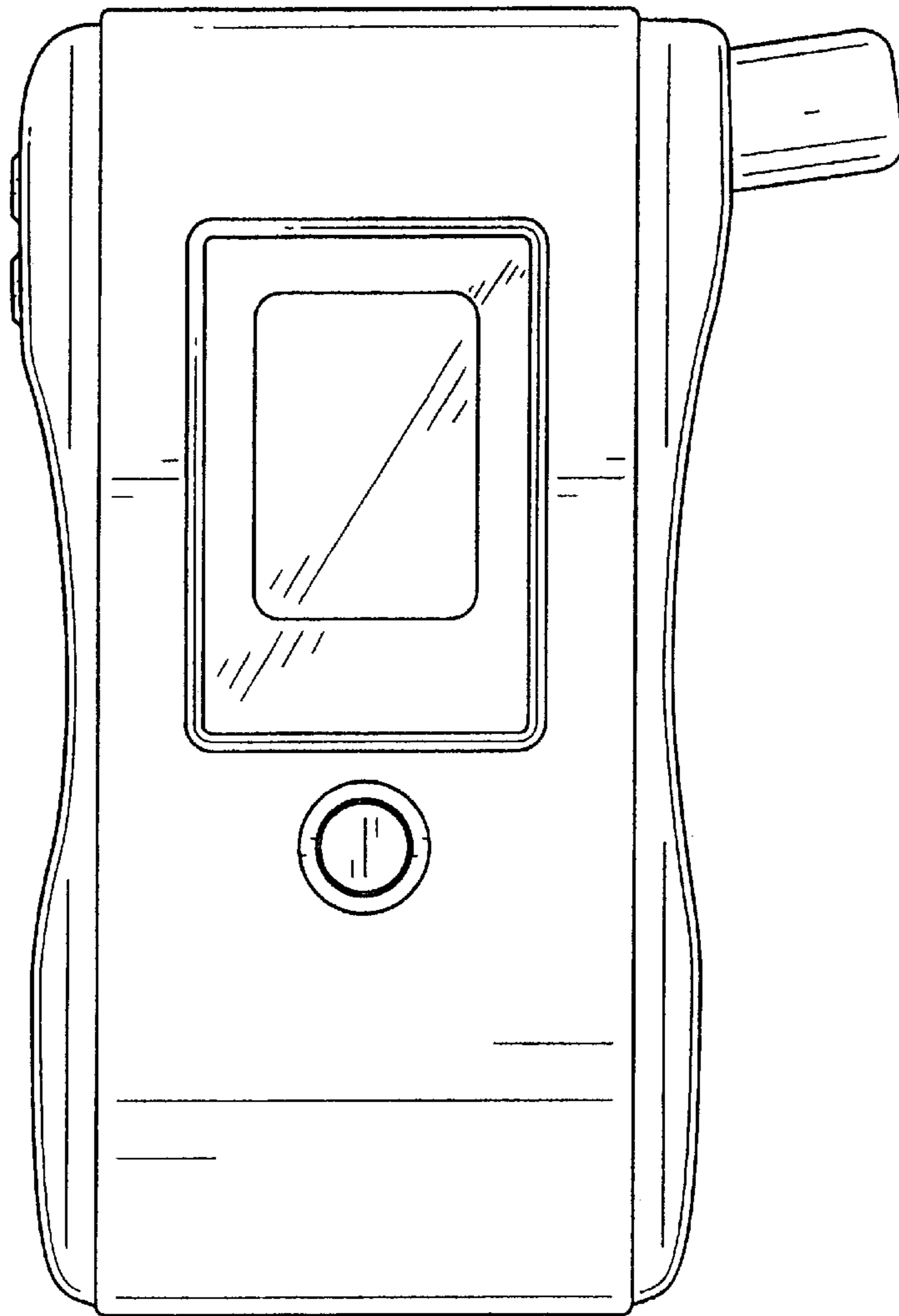


FIG. 2

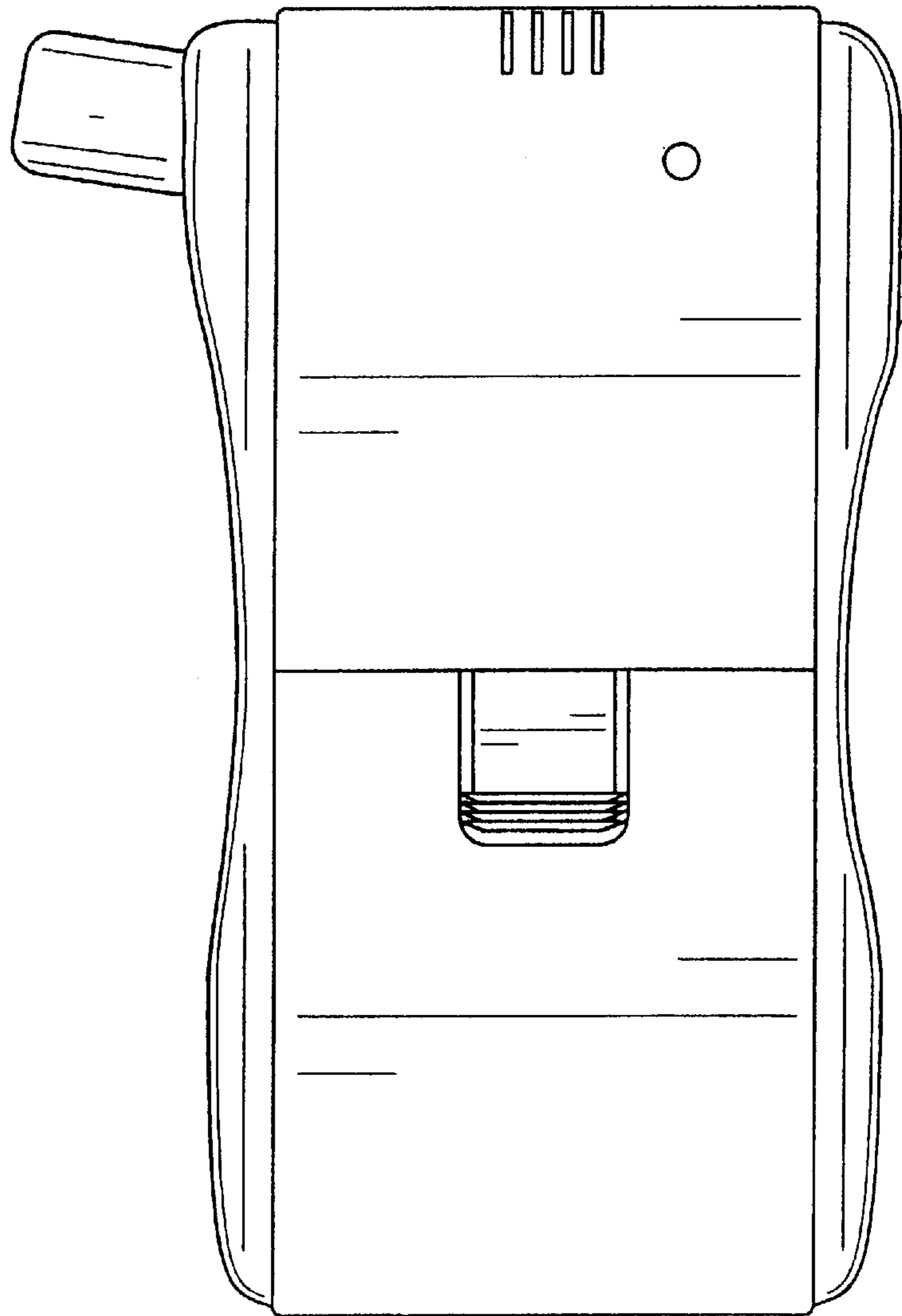


FIG. 3

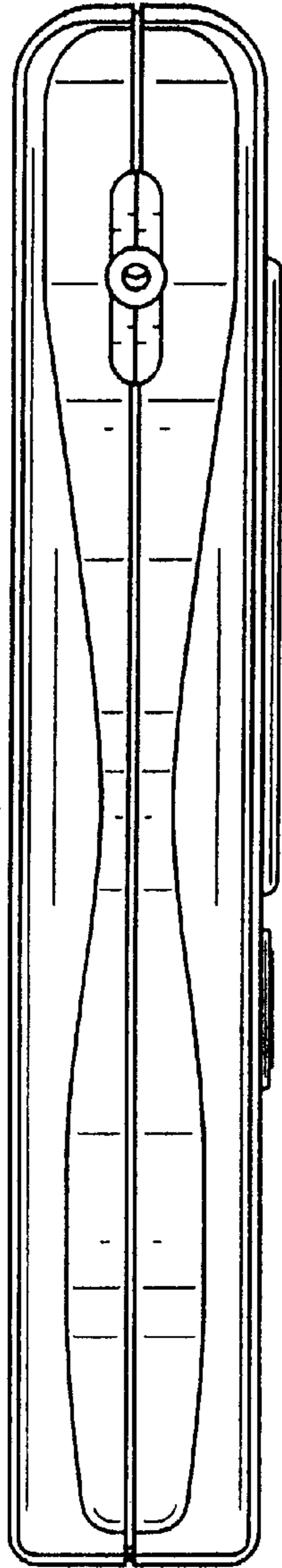


FIG. 4

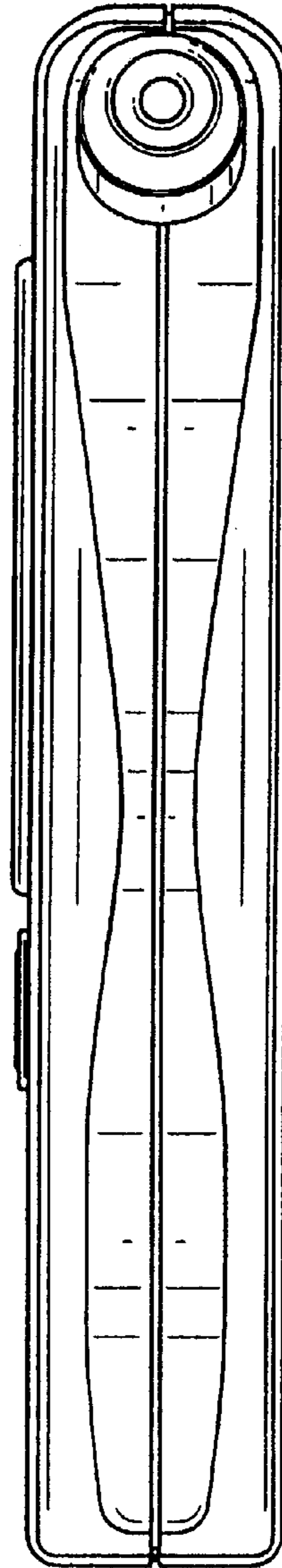


FIG. 5

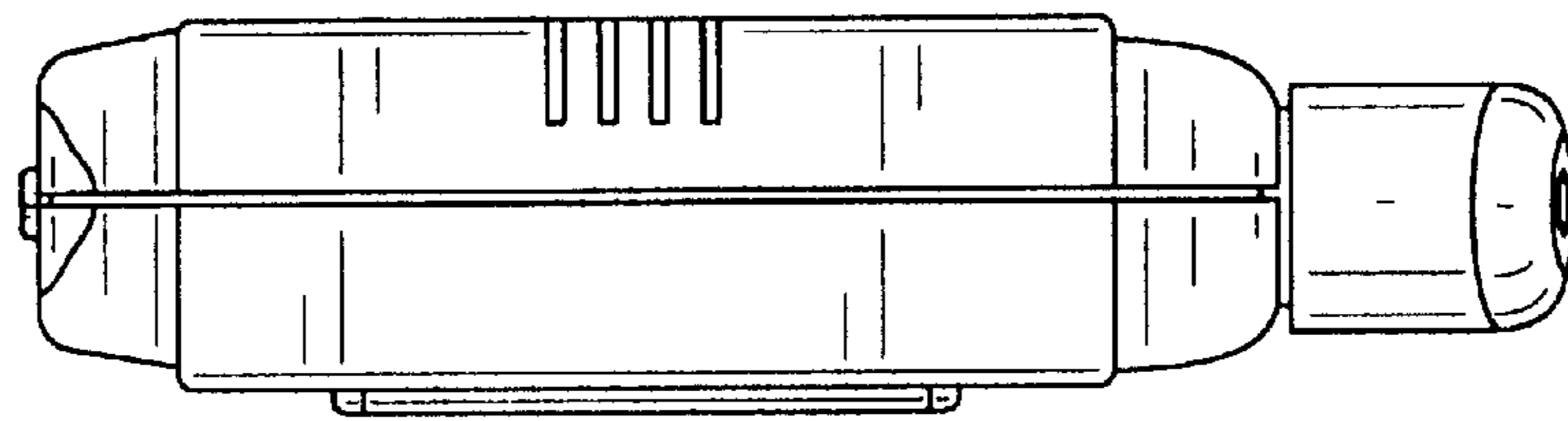


FIG. 6

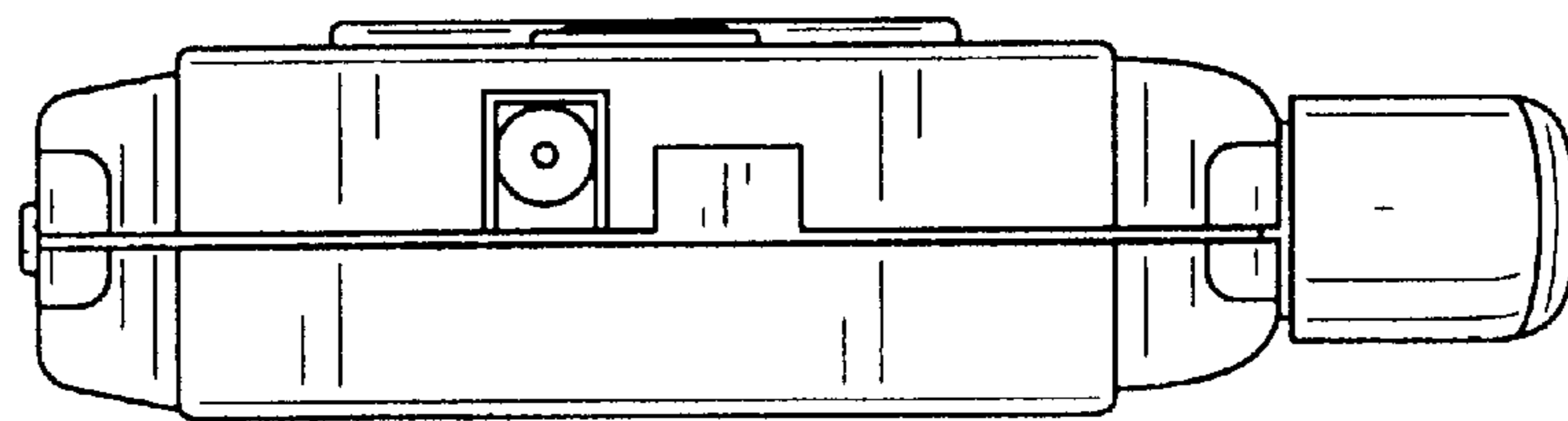


FIG. 7