



US00D539679S

(12) **United States Design Patent**  
**Silberberg**

(10) **Patent No.:** **US D539,679 S**

(45) **Date of Patent:** **\*\* Apr. 3, 2007**

(54) **MINI BUBBLE LEVEL**

D518,747 S \* 4/2006 Lopano ..... D10/69  
D521,882 S \* 5/2006 Kim ..... D10/69

(75) Inventor: **Mark L. Silberberg**, Rancho Palos Verdes, CA (US)

\* cited by examiner

(73) Assignee: **Precision Designed Products, Inc.**, Harbor City, CA (US)

*Primary Examiner*—Antoine D. Davis

*Assistant Examiner*—Patricia Palasik

(74) *Attorney, Agent, or Firm*—Altman & Martin

(\*\*) Term: **14 Years**

(57) **CLAIM**

(21) Appl. No.: **29/260,710**

The ornamental design for a mini bubble level, as shown and described.

(22) Filed: **May 31, 2006**

**DESCRIPTION**

(51) **LOC (8) Cl.** ..... **10-04**

(52) **U.S. Cl.** ..... **D10/69**

(58) **Field of Classification Search** ..... D10/69;  
33/365, 366.11–366.27, 367–391  
See application file for complete search history.

FIG. 1 is an isometric view showing the mini bubble level of my new design;

FIG. 2 is a side elevational view of the mini bubble level; FIG. 3 is a side elevational view of the mini bubble level of the end opposite the end shown in FIG. 2;

FIG. 4 is an end elevational view of the mini bubble level; FIG. 5 is an end elevational view of the mini bubble level of the end opposite the end shown in FIG. 4;

FIG. 6 is a top plan view of the mini bubble level; and, FIG. 7 is a bottom plan view of the mini laser level.

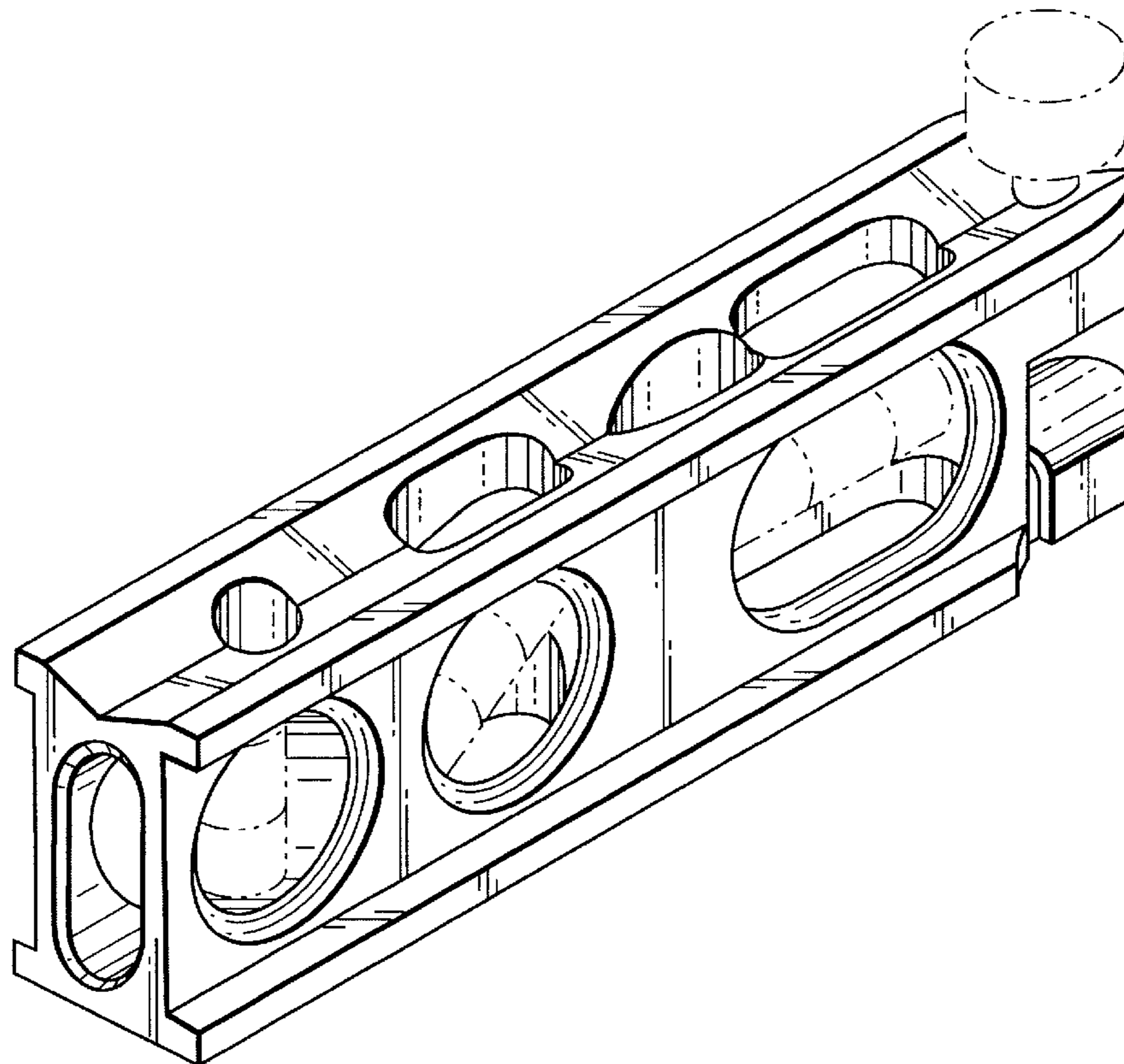
The broken line showing of the level bubbles and knobs of the mini laser level is included for the purpose of illustrating portions of the article and forms no part of the claimed design.

(56) **References Cited**

U.S. PATENT DOCUMENTS

|            |          |            |              |
|------------|----------|------------|--------------|
| D371,309 S | 7/1996   | Webb       |              |
| D389,758 S | * 1/1998 | Motamed    | ..... D10/69 |
| D395,013 S | 6/1998   | Webb       |              |
| D409,100 S | 5/1999   | Brimer     |              |
| D411,470 S | 6/1999   | Webb       |              |
| D455,664 S | * 4/2002 | Webb       | ..... D10/69 |
| D463,298 S | 9/2002   | Webb       |              |
| D503,349 S | * 3/2005 | Webb       | ..... D10/69 |
| D509,158 S | 9/2005   | Silberberg |              |

**1 Claim, 3 Drawing Sheets**



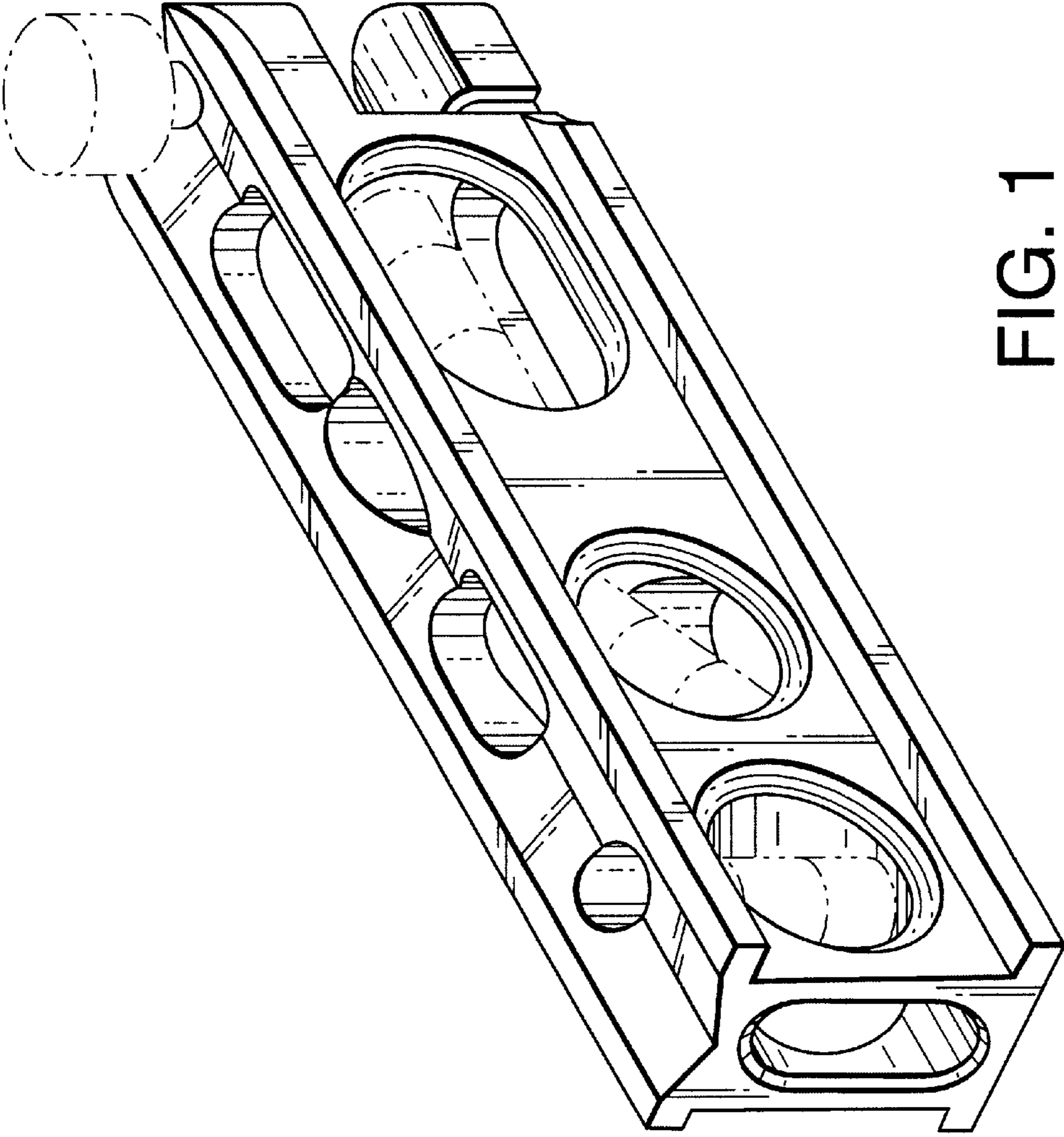


FIG. 1

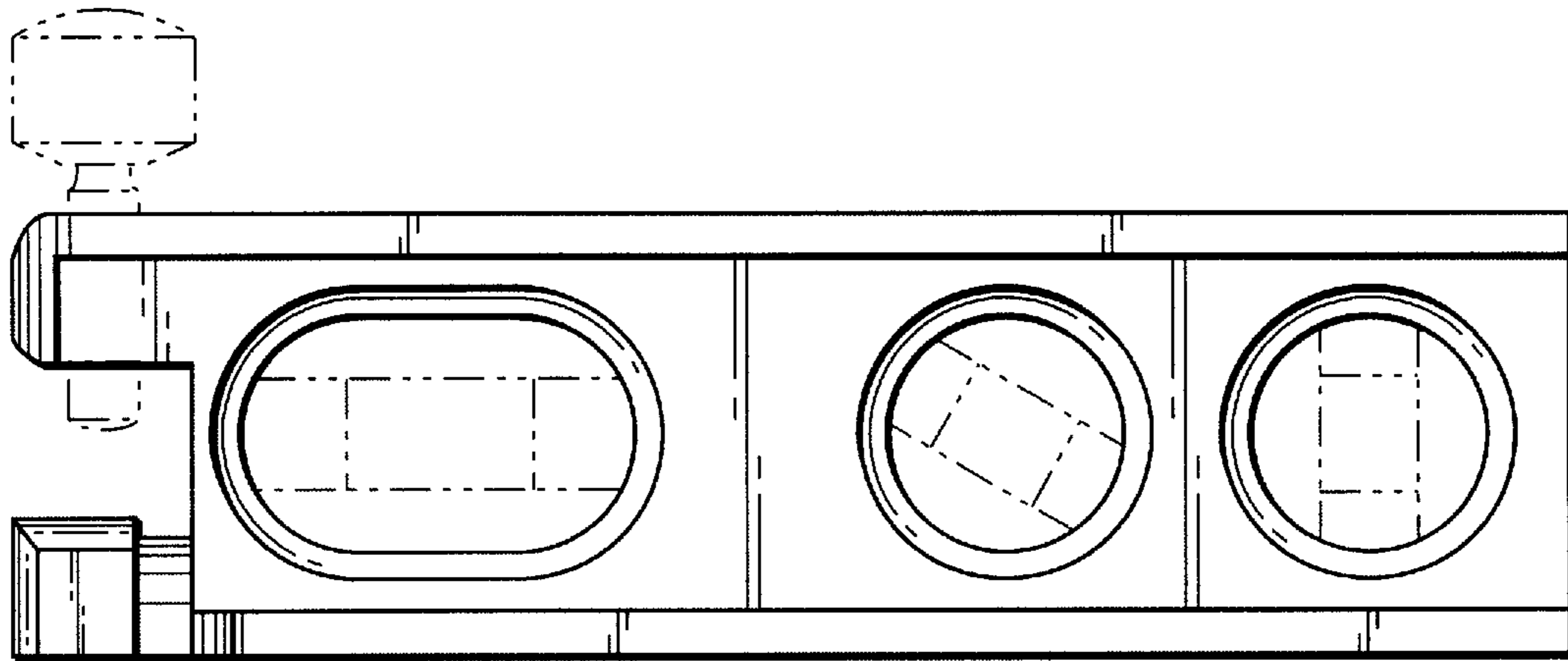


FIG. 2

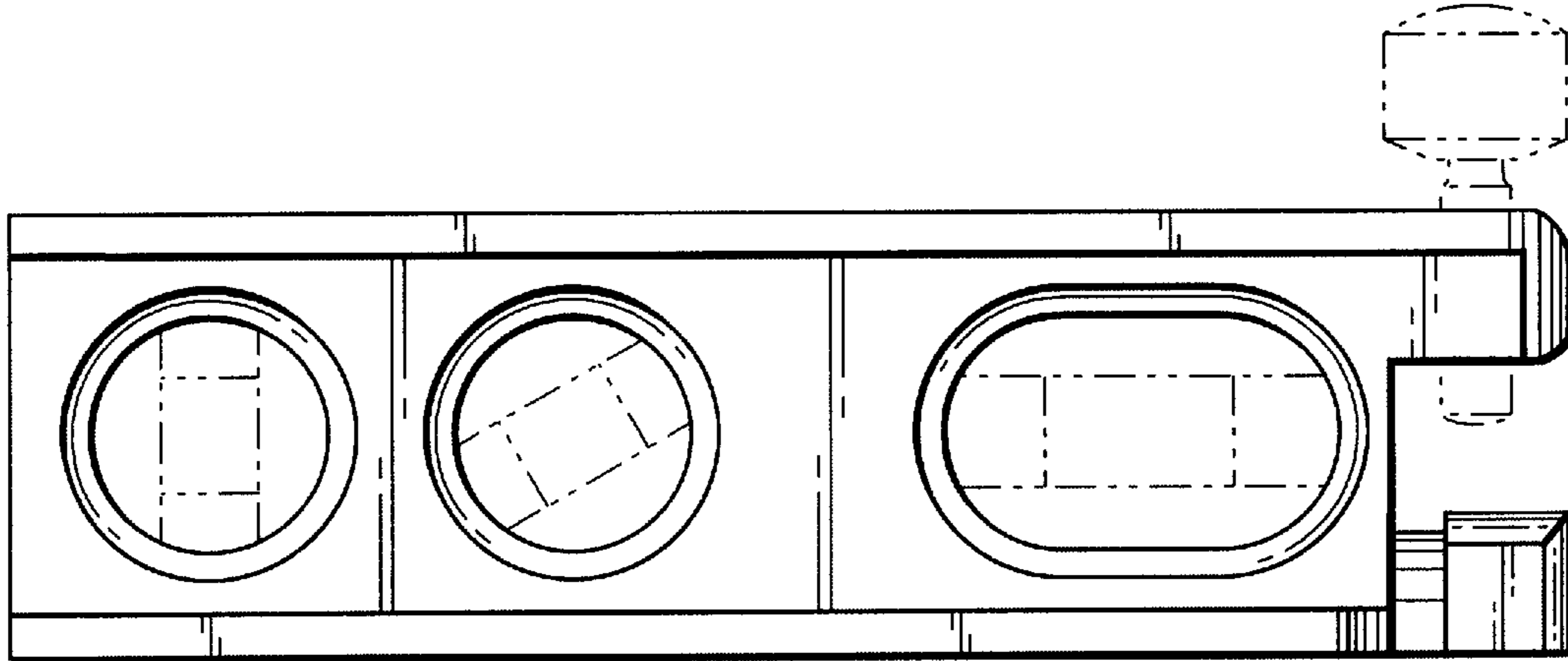


FIG. 3

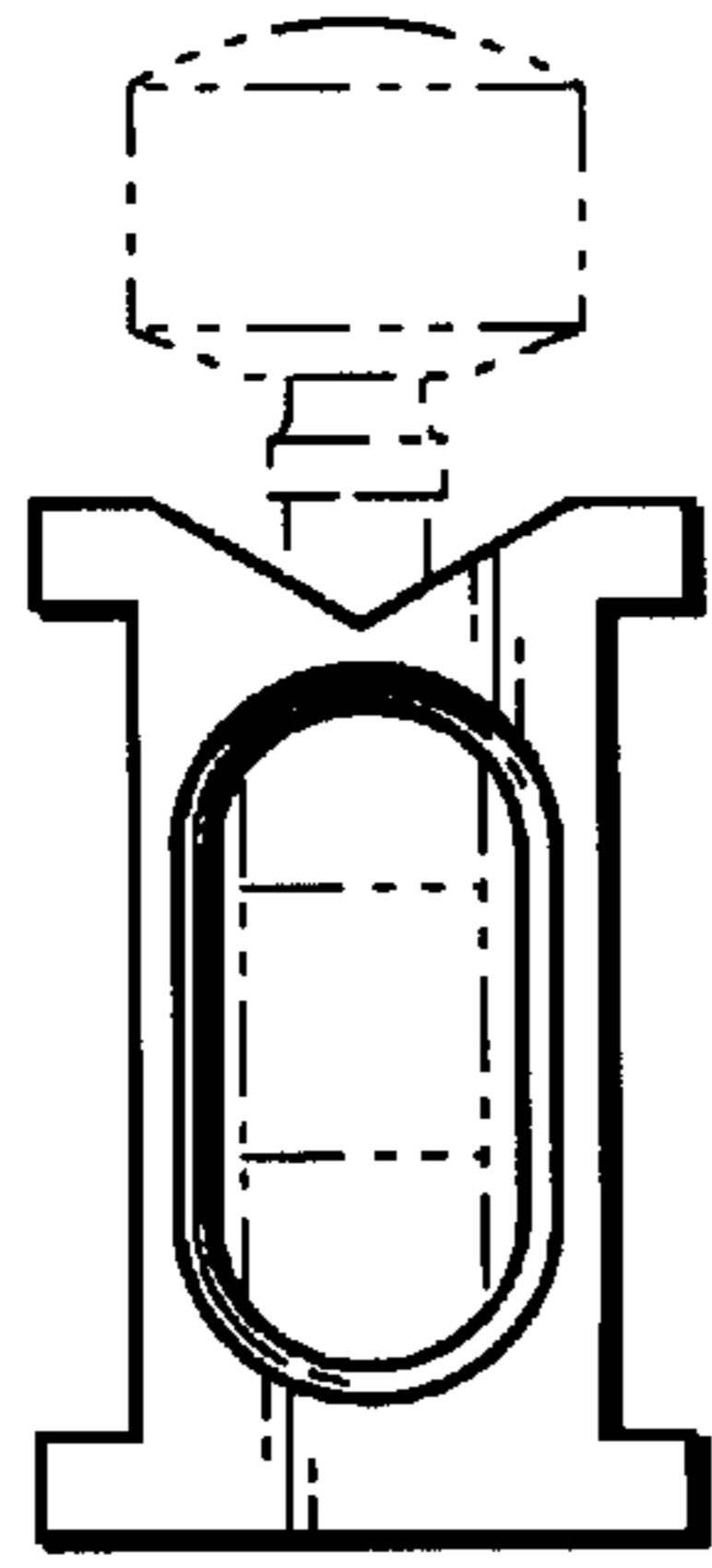


FIG. 4

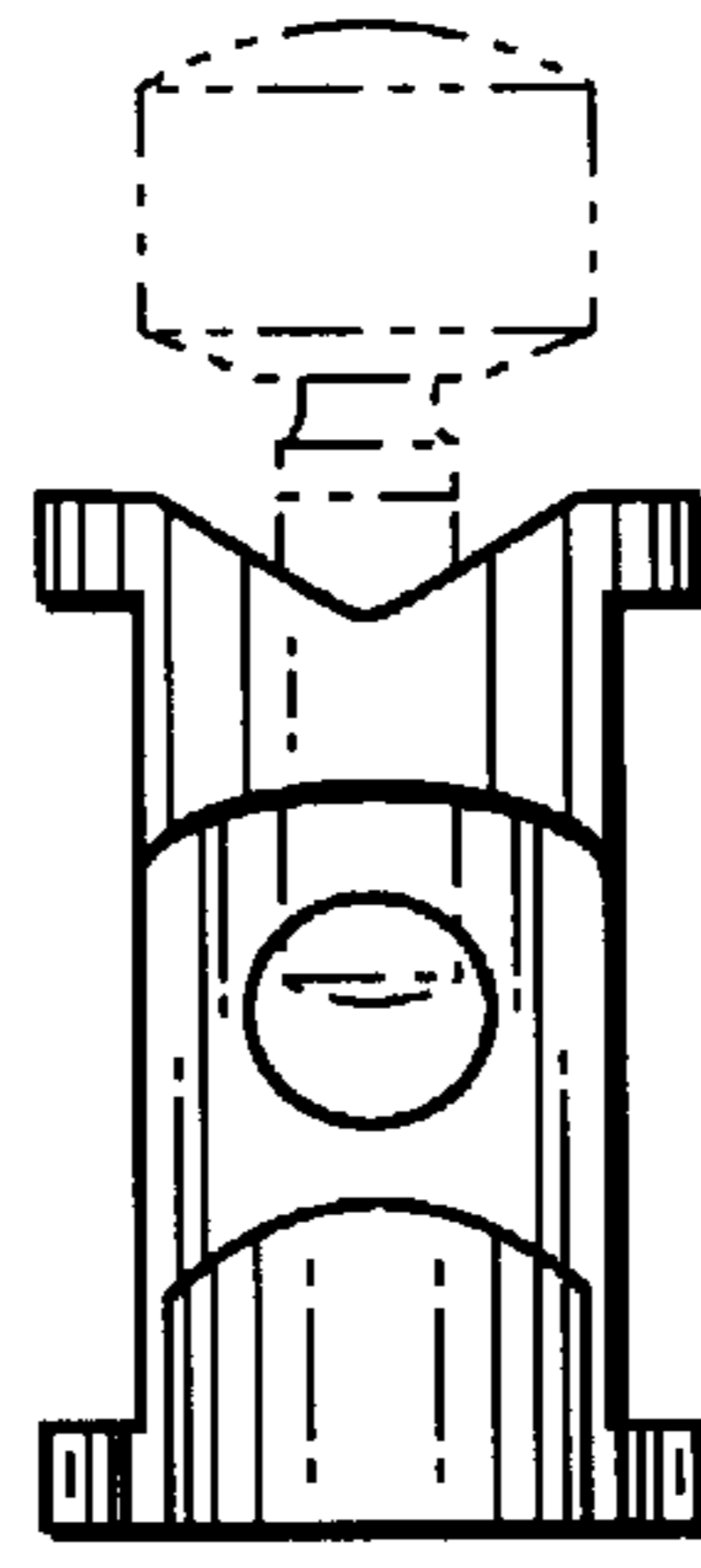


FIG. 5

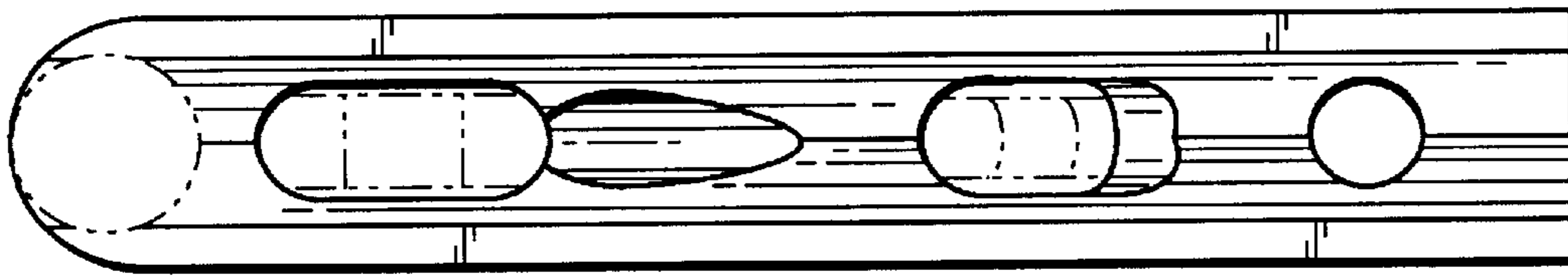


FIG. 6

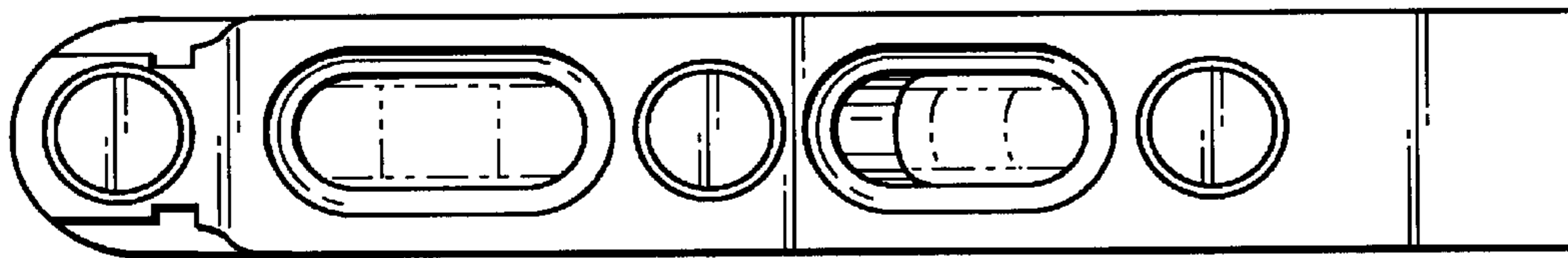


FIG. 7