



US00D539674S

(12) **United States Design Patent**
Vaptzarof

(10) **Patent No.:** **US D539,674 S**

(45) **Date of Patent:** **** Apr. 3, 2007**

(54) **WATCH CASE**

(75) **Inventor:** **Philippe Vaptzarof, L'Abbaye (CH)**

(73) **Assignee:** **Societe Anonyme de la Manufacture d'Horlogerie AUDEMARS PIGUET & Cie, Le Brassus (CH)**

(**) **Term:** **14 Years**

(21) **Appl. No.:** **29/257,739**

(22) **Filed:** **Apr. 10, 2006**

(30) **Foreign Application Priority Data**

Oct. 17, 2005 (CH) 132 213

(51) **LOC (8) Cl.** **10-02**

(52) **U.S. Cl.** **D10/38**

(58) **Field of Classification Search** D10/30-39;
368/276-278, 281-283, 285, 228, 232, 21-27,
368/28, 294, 295, 308, 319-321

See application file for complete search history.

(56) **References Cited**

U.S. PATENT DOCUMENTS

- D317,871 S * 7/1991 Applegate, Jr. D10/30
- D323,996 S * 2/1992 Nakazawa D10/39
- D338,838 S * 8/1993 Byrne D10/39
- D390,791 S * 2/1998 Kubisch D10/39
- D403,246 S * 12/1998 Hanagata D10/30
- D413,530 S * 9/1999 Flury et al. D10/32
- D451,820 S * 12/2001 Sugisawa D10/30

- D479,135 S * 9/2003 Emmenegger D10/30
- D490,722 S * 6/2004 Weismann et al. D10/39
- D497,109 S * 10/2004 Itsubo D10/30
- D500,452 S * 1/2005 Itsubo D10/39
- D524,175 S * 7/2006 Zanette D10/38

OTHER PUBLICATIONS

Jeweler's Circular Keystone, Jul. 1978, p. 252, Seiko Sports 100 Series watch, photograph upper left of page.*
Wristwatches, A Connoisseur's Guide, by Frank Edwards, copyright 1997, Firefly Publishing, p. 36, Audemars Piguet's Royal Oak watch.*

* cited by examiner

Primary Examiner—Lucy Lieberman

(74) *Attorney, Agent, or Firm*—Frommer Lawrence & Haug LLP; Ronald R. Santucci

(57) **CLAIM**

The ornamental design for a watch case, as shown.

DESCRIPTION

FIG. 1 is a top perspective view of the watch case showing the present design;

FIG. 2 is a top plan view thereof,

FIG. 3 is a bottom plan view thereof,

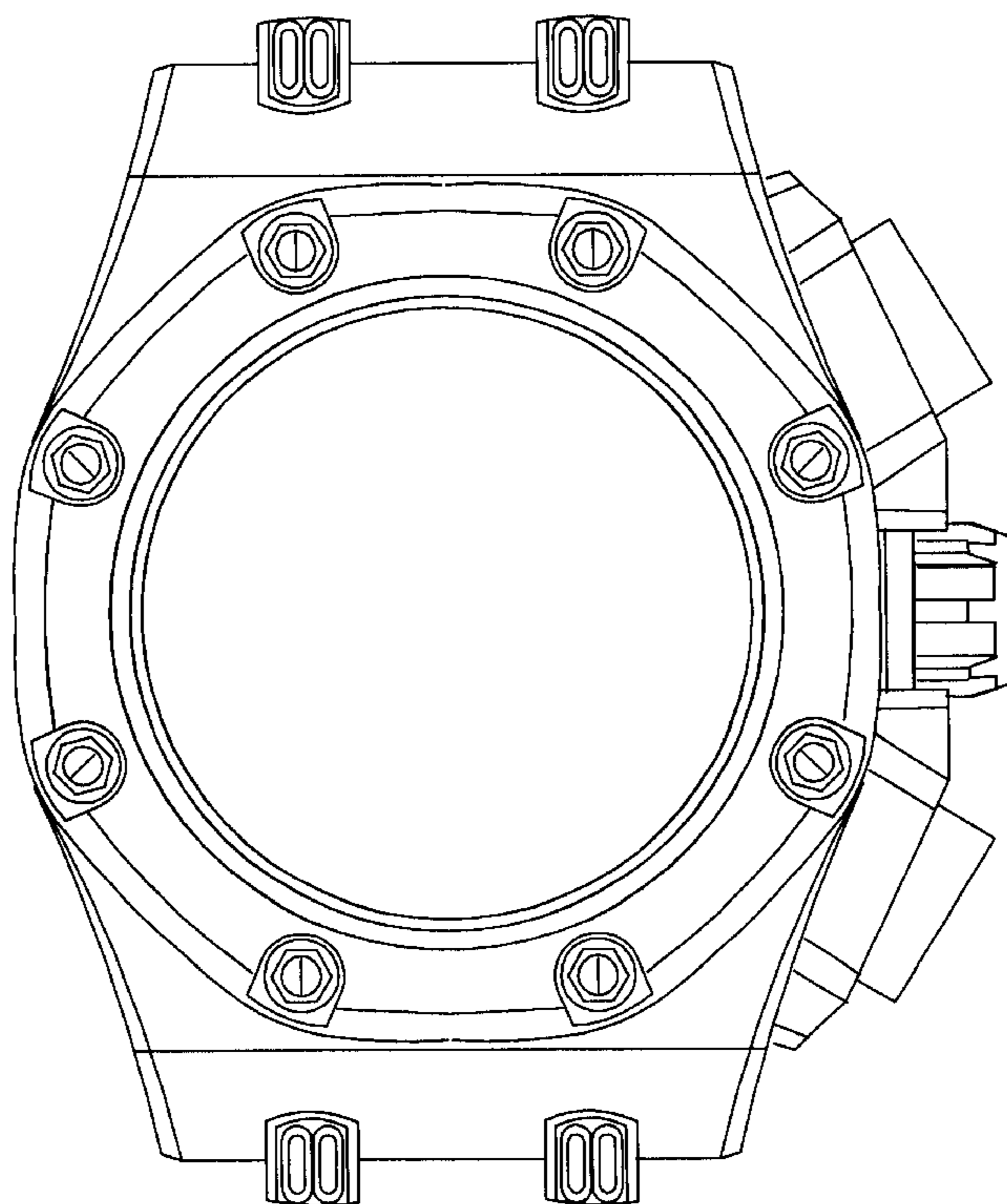
FIG. 4 is a right view thereof,

FIG. 5 is a left view thereof,

FIG. 6 is a front view thereof; and,

FIG. 7 is a rear view thereof.

1 Claim, 4 Drawing Sheets



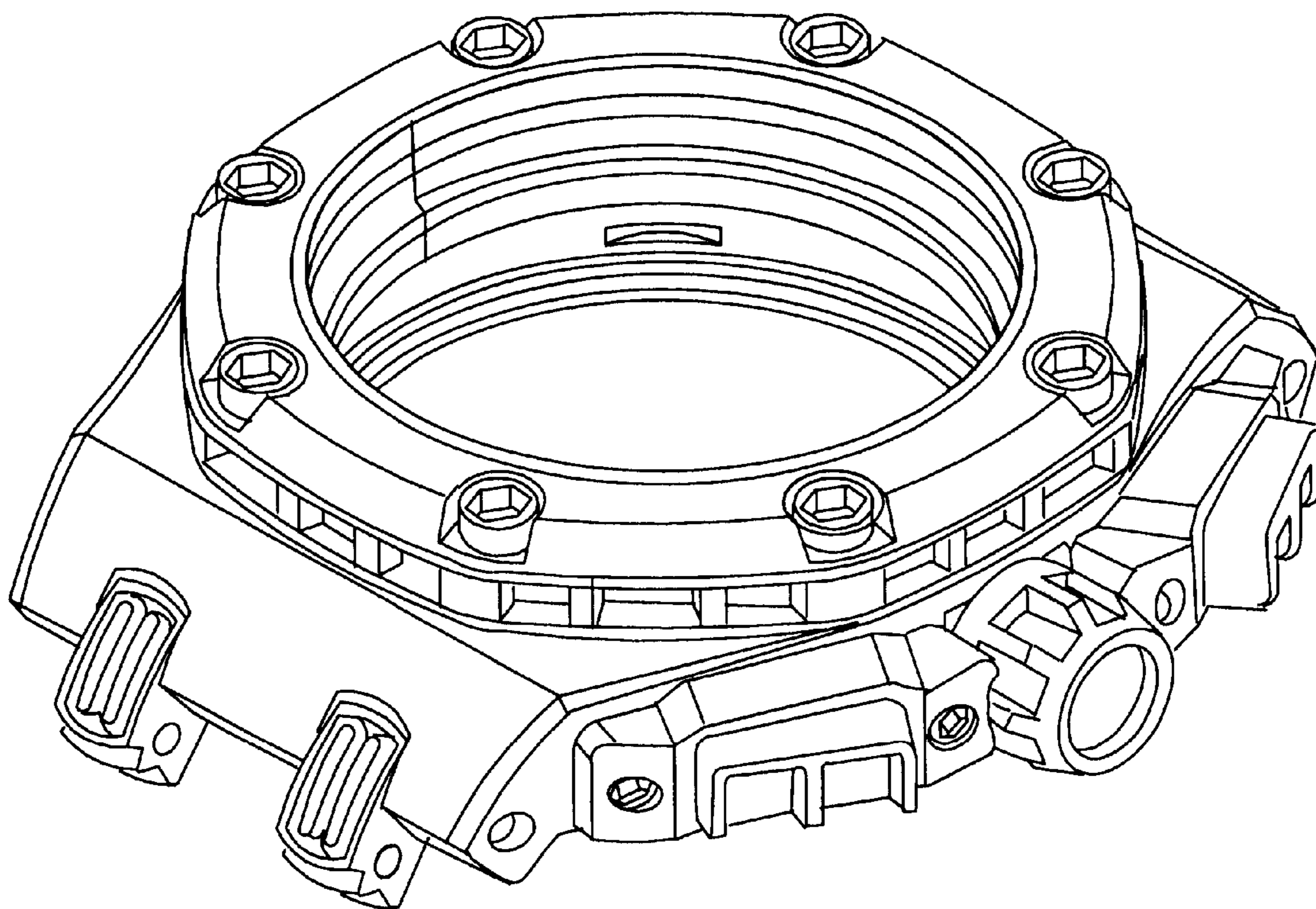


FIG. 1

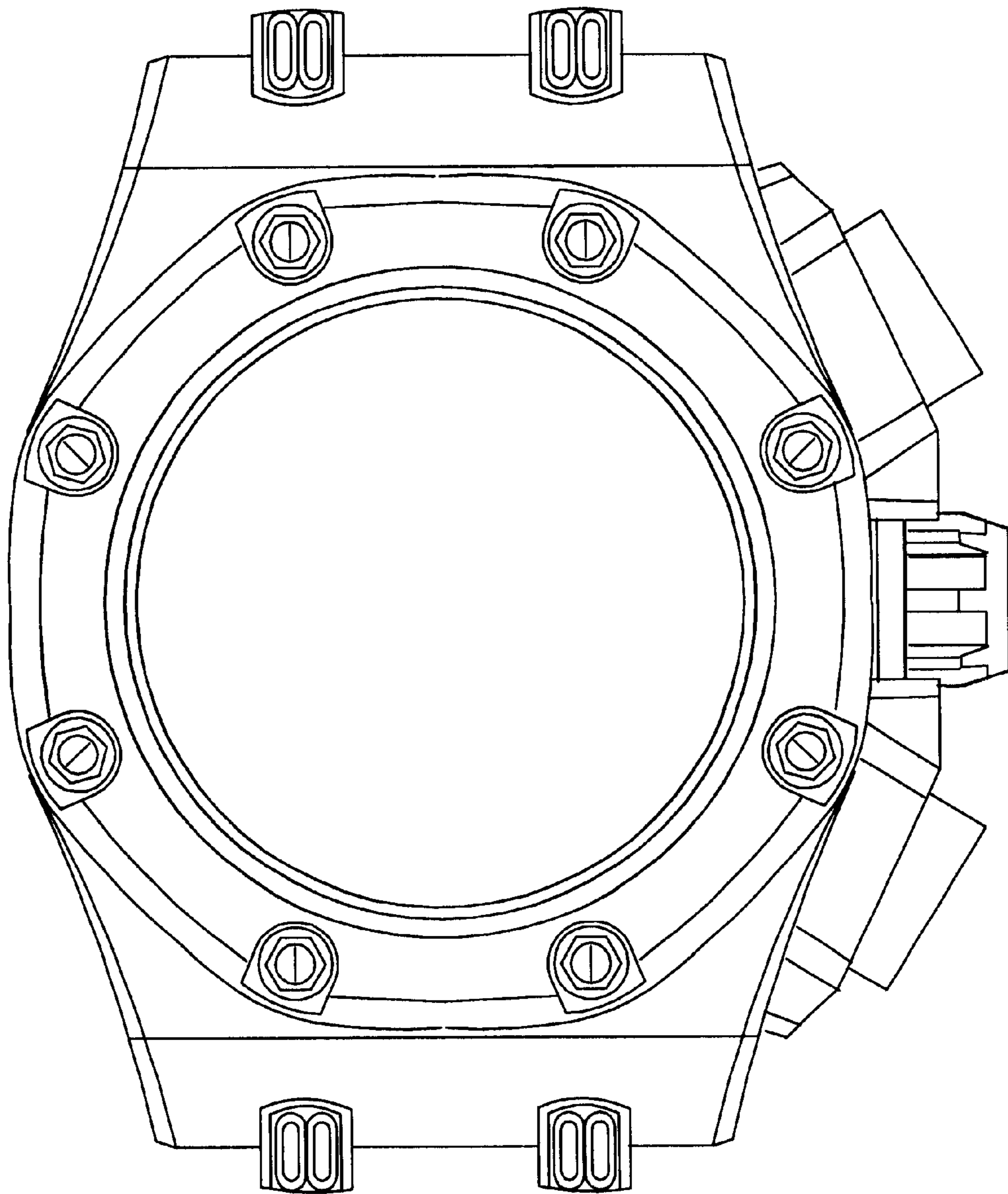


FIG. 2

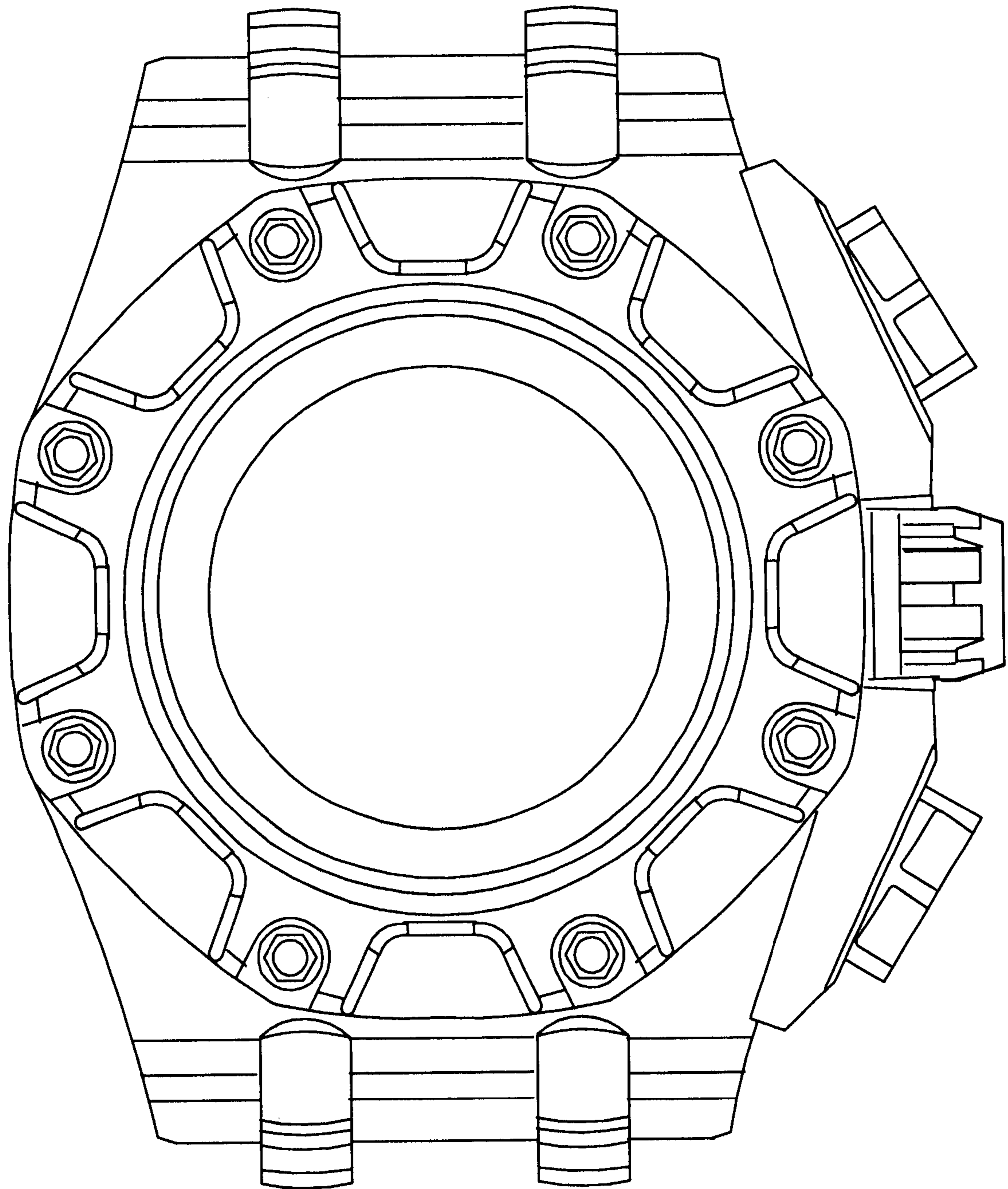


FIG. 3

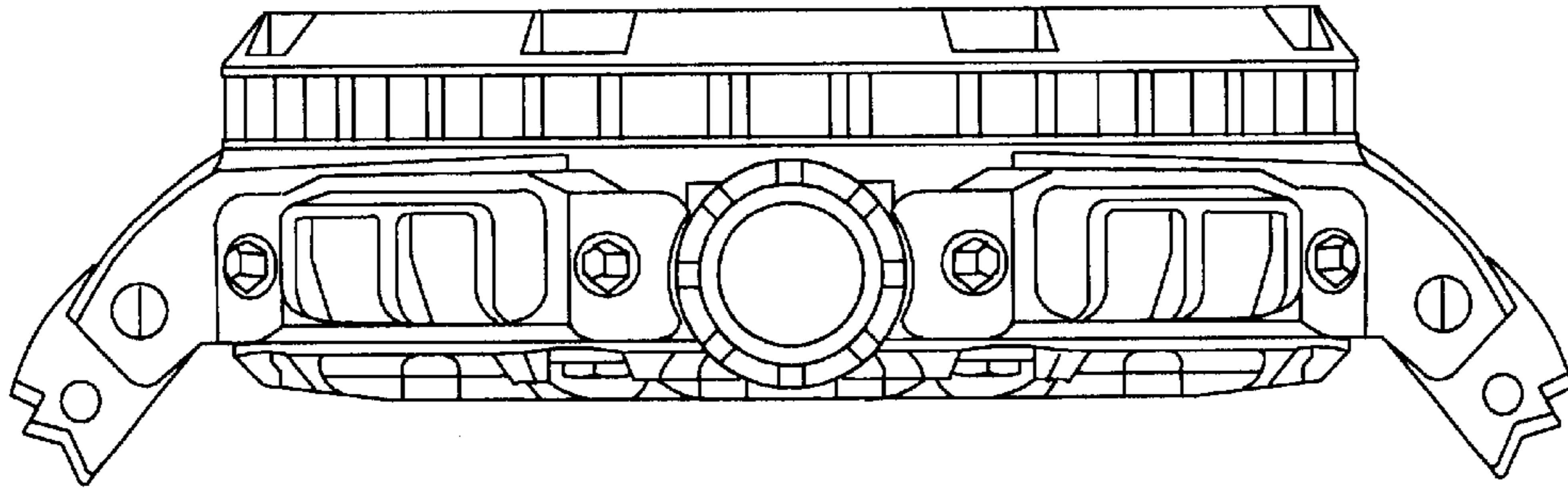


FIG. 4

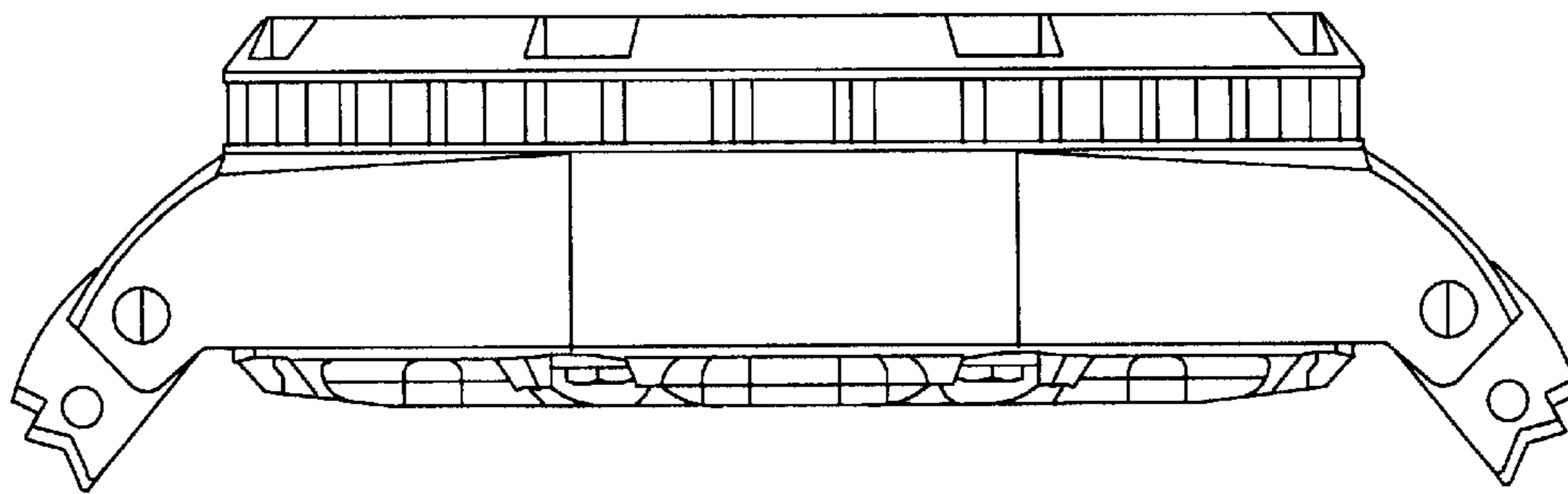


FIG. 5

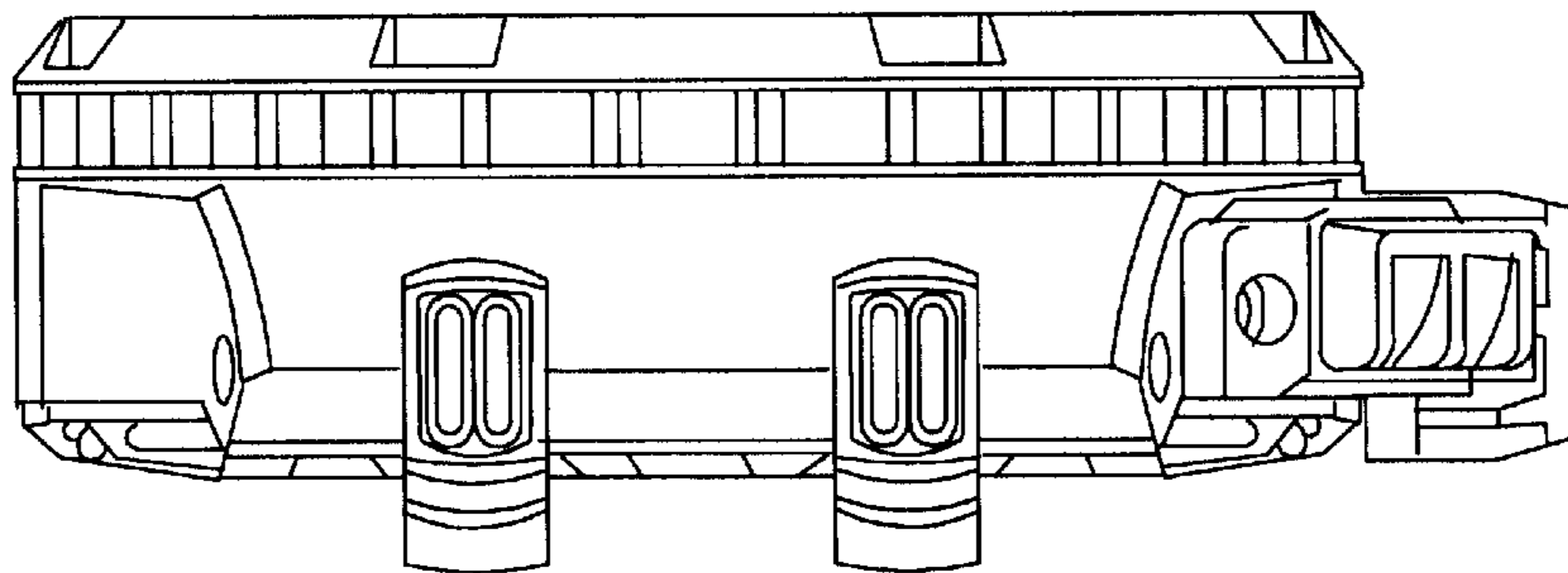


FIG. 6

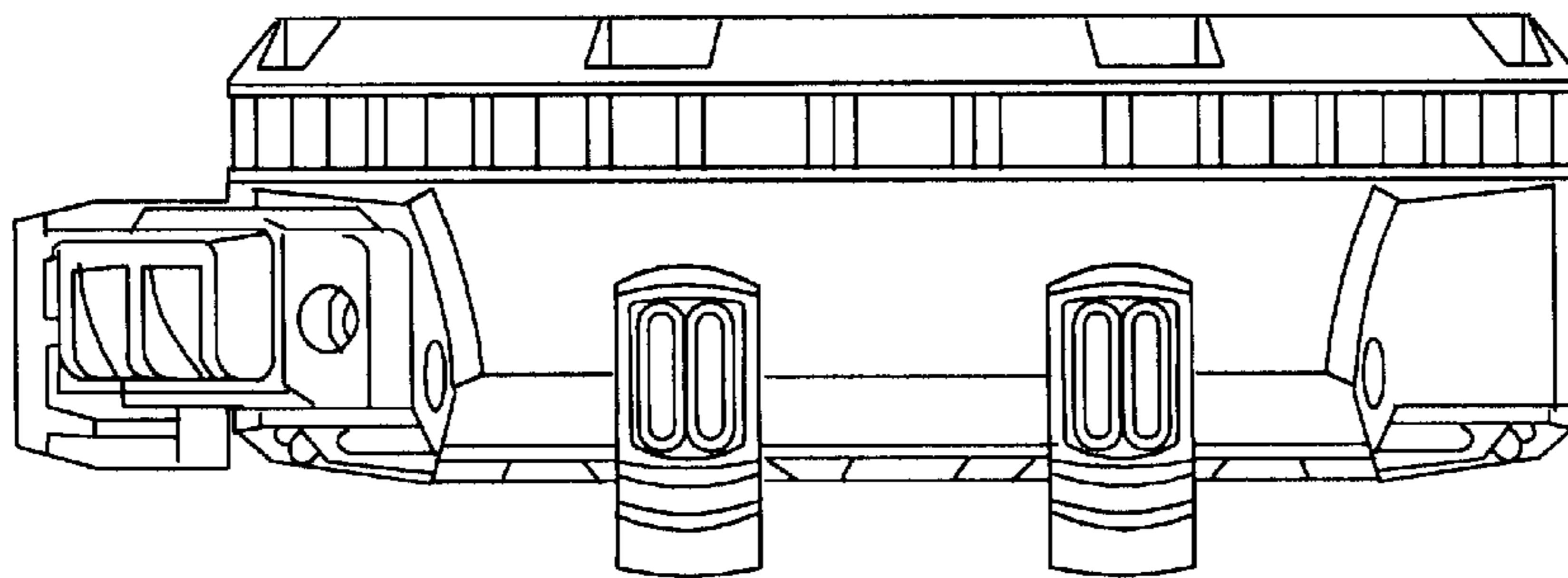


FIG. 7