



US00D539673S

(12) **United States Design Patent**
Garcia

(10) **Patent No.:** **US D539,673 S**

(45) **Date of Patent:** **** Apr. 3, 2007**

(54) **WATCHCASE**

(75) Inventor: **Octavio Garcia**, Cressier (CH)

(73) Assignee: **Audemars Piguet Holding S.A.**, Le Brassus (CH)

(**) Term: **14 Years**

(21) Appl. No.: **29/244,565**

(22) Filed: **Dec. 12, 2005**

(30) **Foreign Application Priority Data**

Jul. 4, 2005 (CH) 131942

(51) **LOC (8) Cl.** **10-02**

(52) **U.S. Cl.** **D10/38**

(58) **Field of Classification Search** D10/30-39;
368/276, 281, 282, 283, 285, 21, 223, 228,
368/232, 319

See application file for complete search history.

(56) **References Cited**

U.S. PATENT DOCUMENTS

D353,108 S * 12/1994 Rabassa D10/32
5,649,381 A * 7/1997 Studer 40/633
D423,953 S * 5/2000 Kauffmann D10/39

D436,319 S * 1/2001 Giardiello D10/39
D438,473 S * 3/2001 Dumas D10/39
D447,424 S * 9/2001 Modolo D10/30
D474,118 S * 5/2003 Monachon D10/32
D484,062 S * 12/2003 Kauffmann D10/39
D502,413 S * 3/2005 Sugiura et al. D10/39
D524,171 S * 7/2006 Monachon D10/32
D526,218 S * 8/2006 Krieger D10/39

* cited by examiner

Primary Examiner—Lucy Lieberman

(74) *Attorney, Agent, or Firm*—Frommer Lawrence & Haug LLP; Ronald R. Santucci

(57) **CLAIM**

The ornamental design for a watchcase, as shown and described.

DESCRIPTION

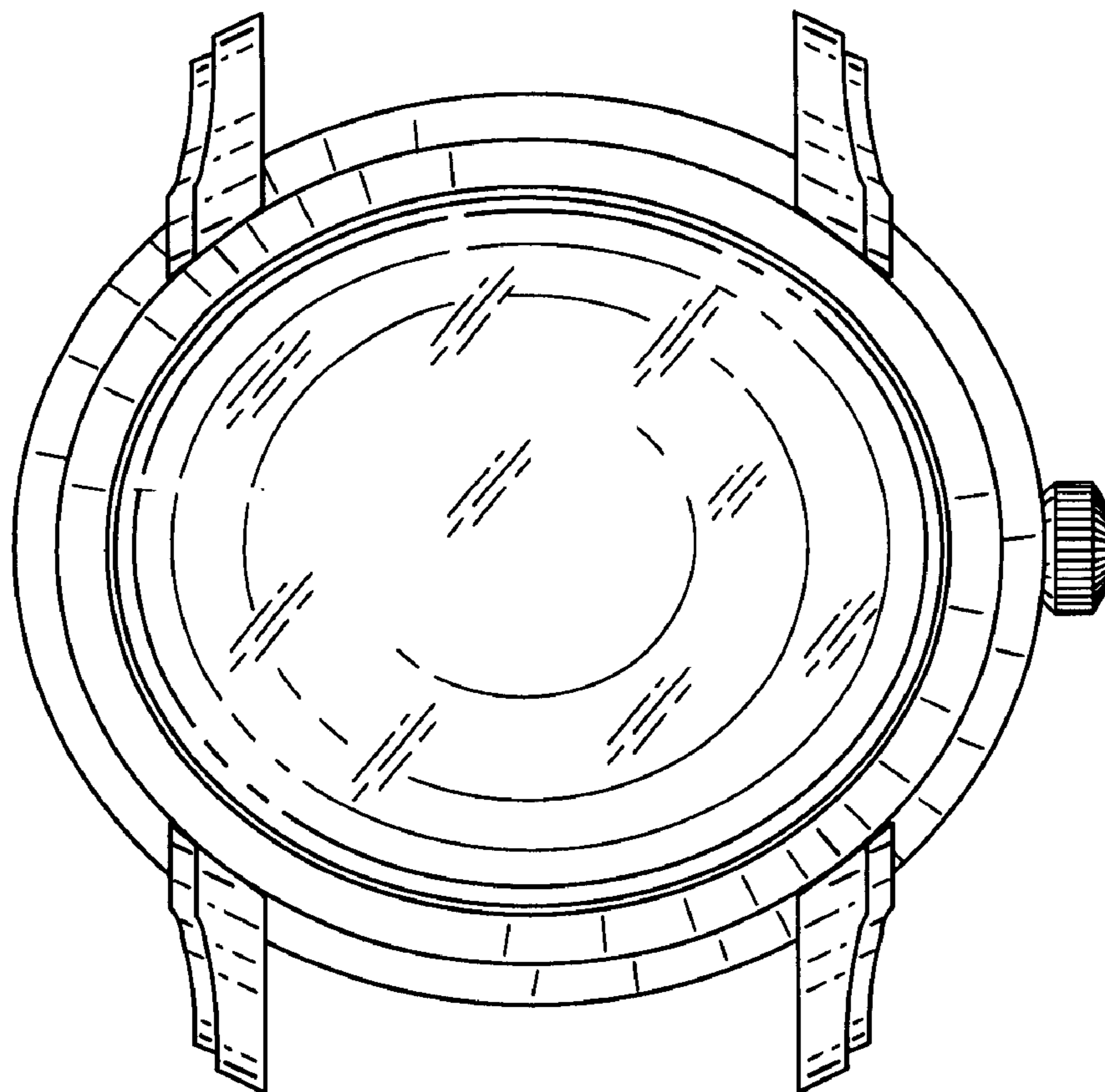
FIG. 1 is a front elevation of a watchcase showing my new design;

FIG. 2 is a back view thereof

FIG. 3 is a perspective view thereof; and,

FIG. 4 is a right side elevation of the watchcase shown in an inverted position.

1 Claim, 1 Drawing Sheet



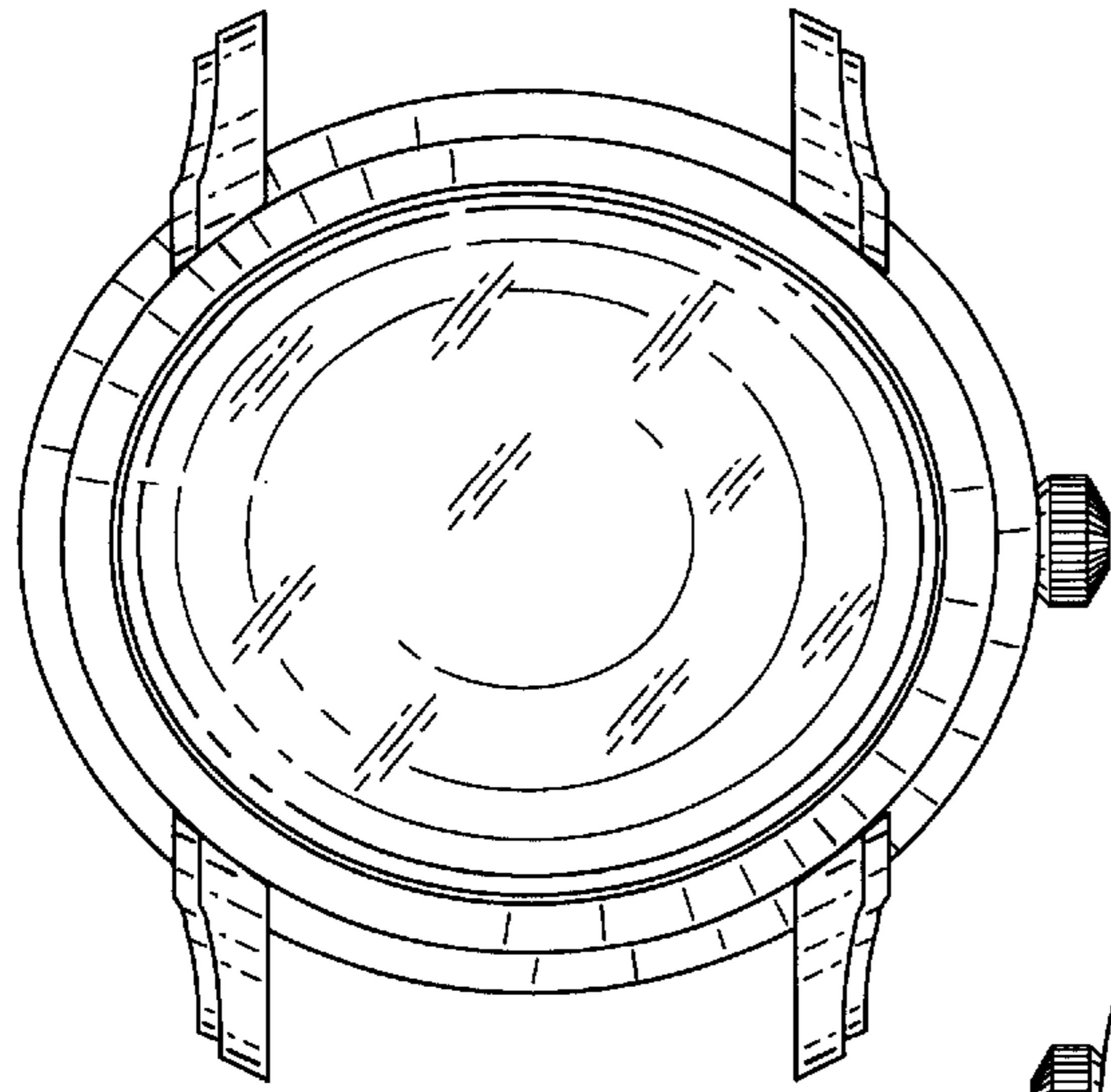


FIG. 1

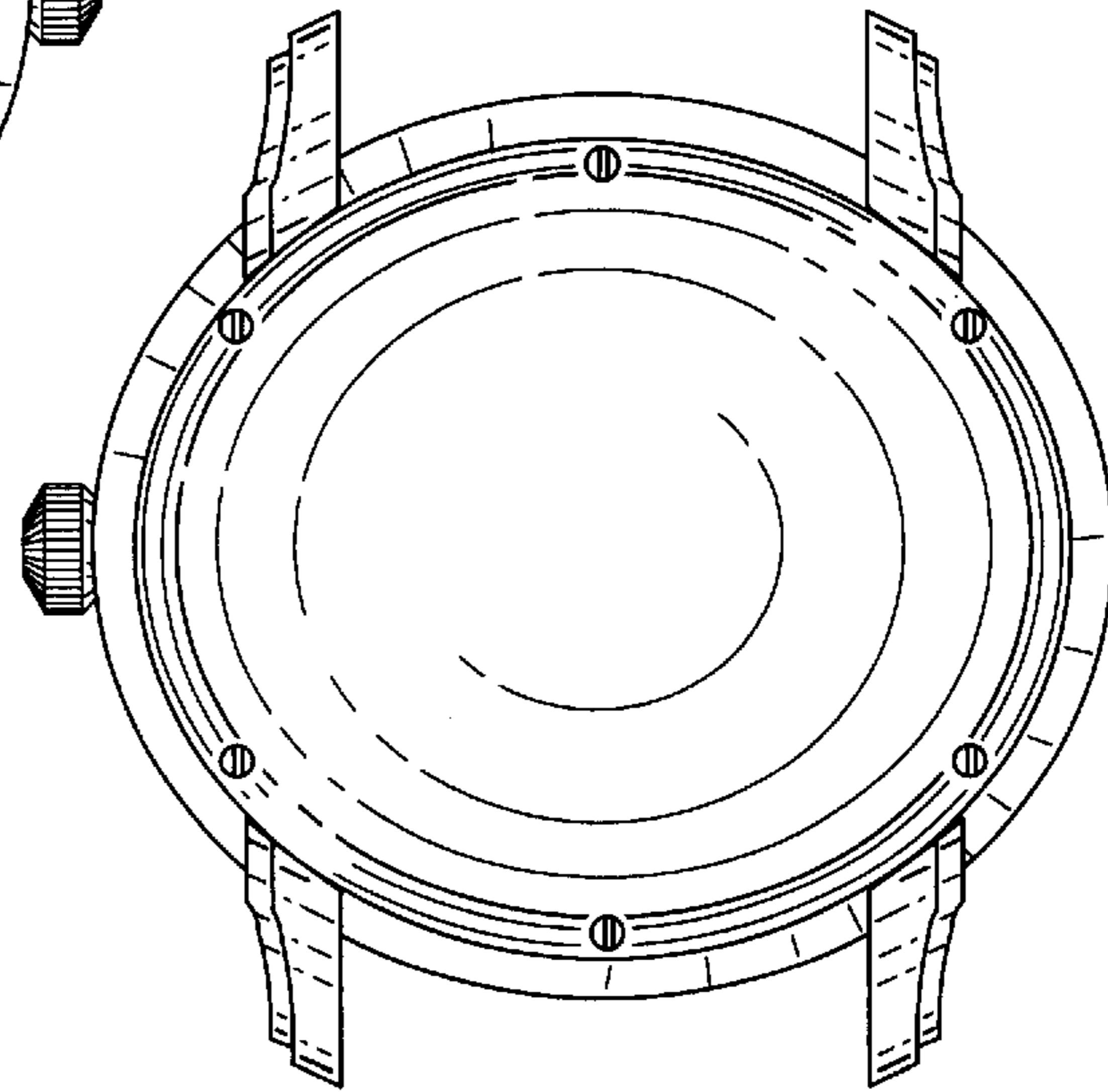


FIG. 2

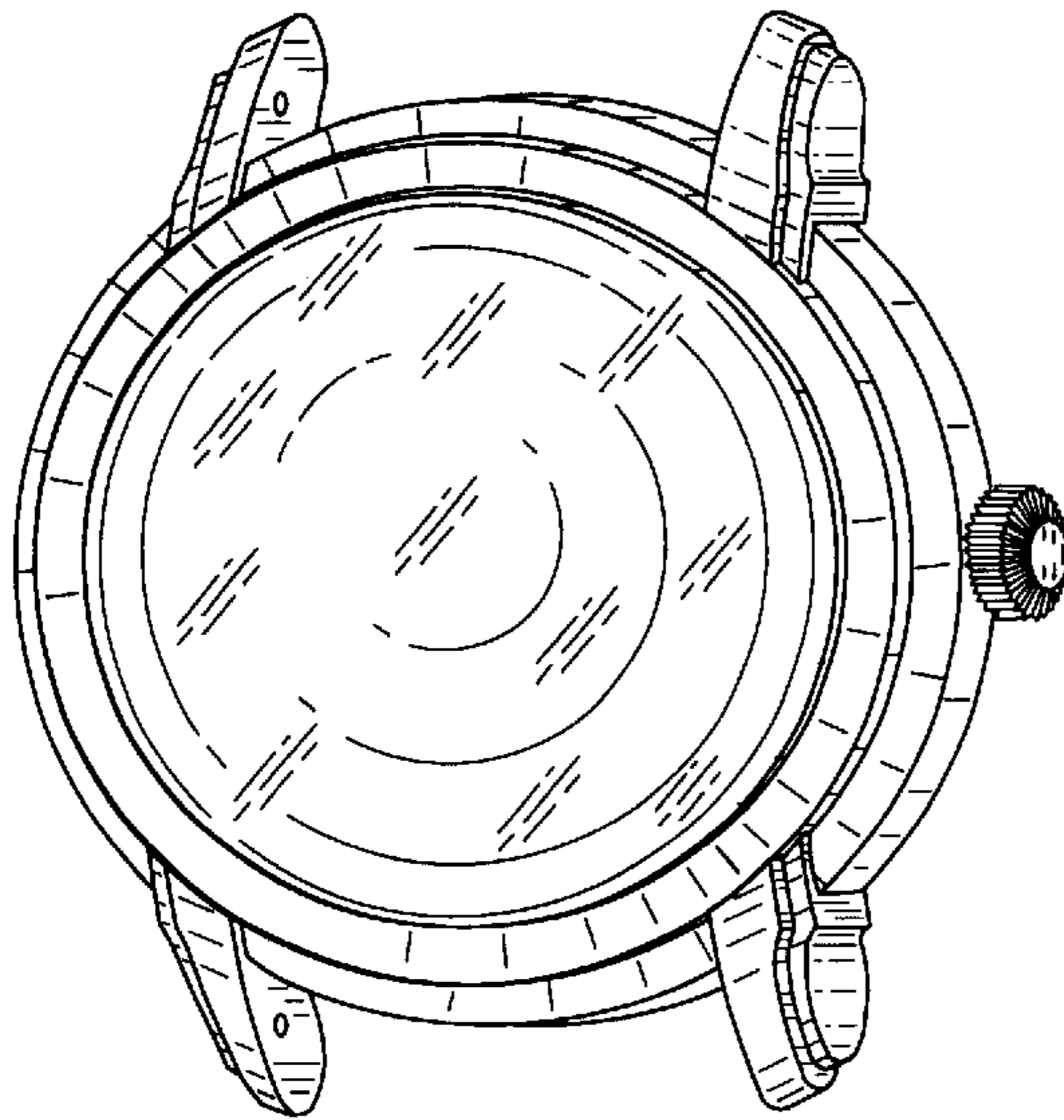


FIG. 3

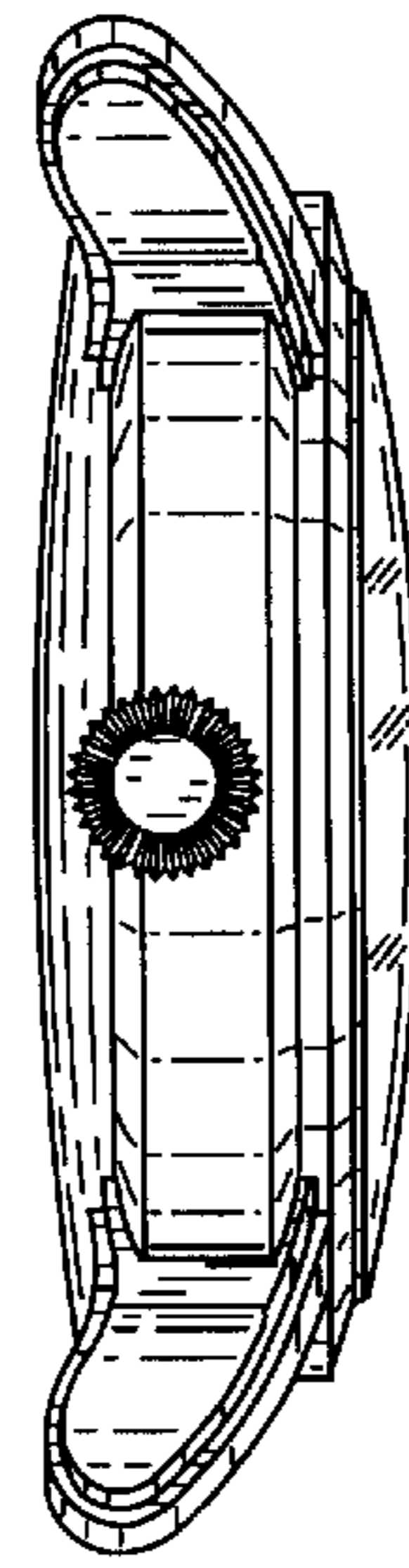


FIG. 4