



US00D539663S

(12) **United States Design Patent**
Jovetic et al.

(10) **Patent No.:** **US D539,663 S**

(45) **Date of Patent:** **** *Apr. 3, 2007**

(54) **CANDY CONTAINER**

(75) Inventors: **Alexander Jovetic**, Winona (CA);
Dundee Staunton, Toronto (CA)

(73) Assignee: **Alex Jovetic**, Winona (CA)

(*) Notice: This patent is subject to a terminal disclaimer.

(**) Term: **14 Years**

(21) Appl. No.: **29/225,281**

(22) Filed: **Mar. 14, 2005**

(51) **LOC (8) Cl.** **09-01**

(52) **U.S. Cl.** **D9/600; D9/420**

(58) **Field of Classification Search** D3/270-271.1,
D3/294; D9/600, 679, 414-426, 430, 432;
D14/138; 215/379-383; 220/890; 206/457,
206/459.1, 822, 823

See application file for complete search history.

(56) **References Cited**

U.S. PATENT DOCUMENTS

D257,790 S * 1/1981 Kesling D9/424
D265,977 S * 8/1982 Strongwater D9/424
D389,477 S * 1/1998 Tabankin et al. D14/138

D478,056 S * 8/2003 Koo et al. D14/138
D490,936 S * 6/2004 Chang D28/79
D491,730 S * 6/2004 Goulet et al. D9/415
D518,465 S * 4/2006 Van Den Nieuwenhuizen
et al. D14/138

OTHER PUBLICATIONS

“Candy Container for Collectors” by Debra S Braun, 2002.
p. 81, Cellular phone bubble gum container.*

* cited by examiner

Primary Examiner—Sandra L. Morris

(57) **CLAIM**

The ornamental design for a candy container, substantially as shown and described in the drawings and specification hereto.

DESCRIPTION

FIG. 1 is a perspective view of the candy container;
FIG. 2 is a top side view of the candy container of FIG. 1;
FIG. 3 is a bottom side view of the candy container of FIG. 1;
FIGS. 4 and 5 are the right hand and left hand side view the candy container, respectively;
FIG. 6 is a top oblique view of the candy container; and,
FIG. 7 is a bottom oblique view of the candy container.

1 Claim, 4 Drawing Sheets

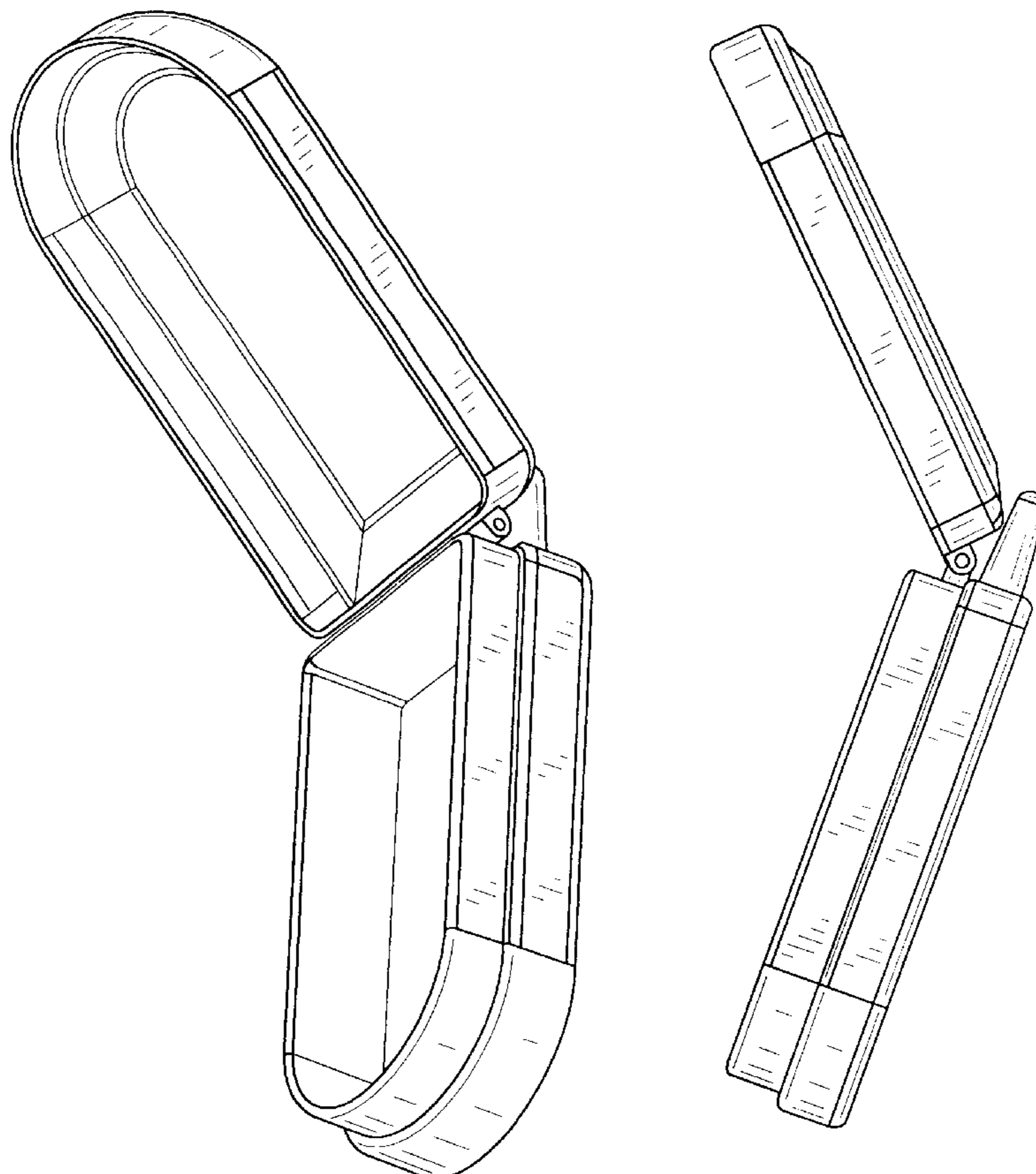


FIG. 1

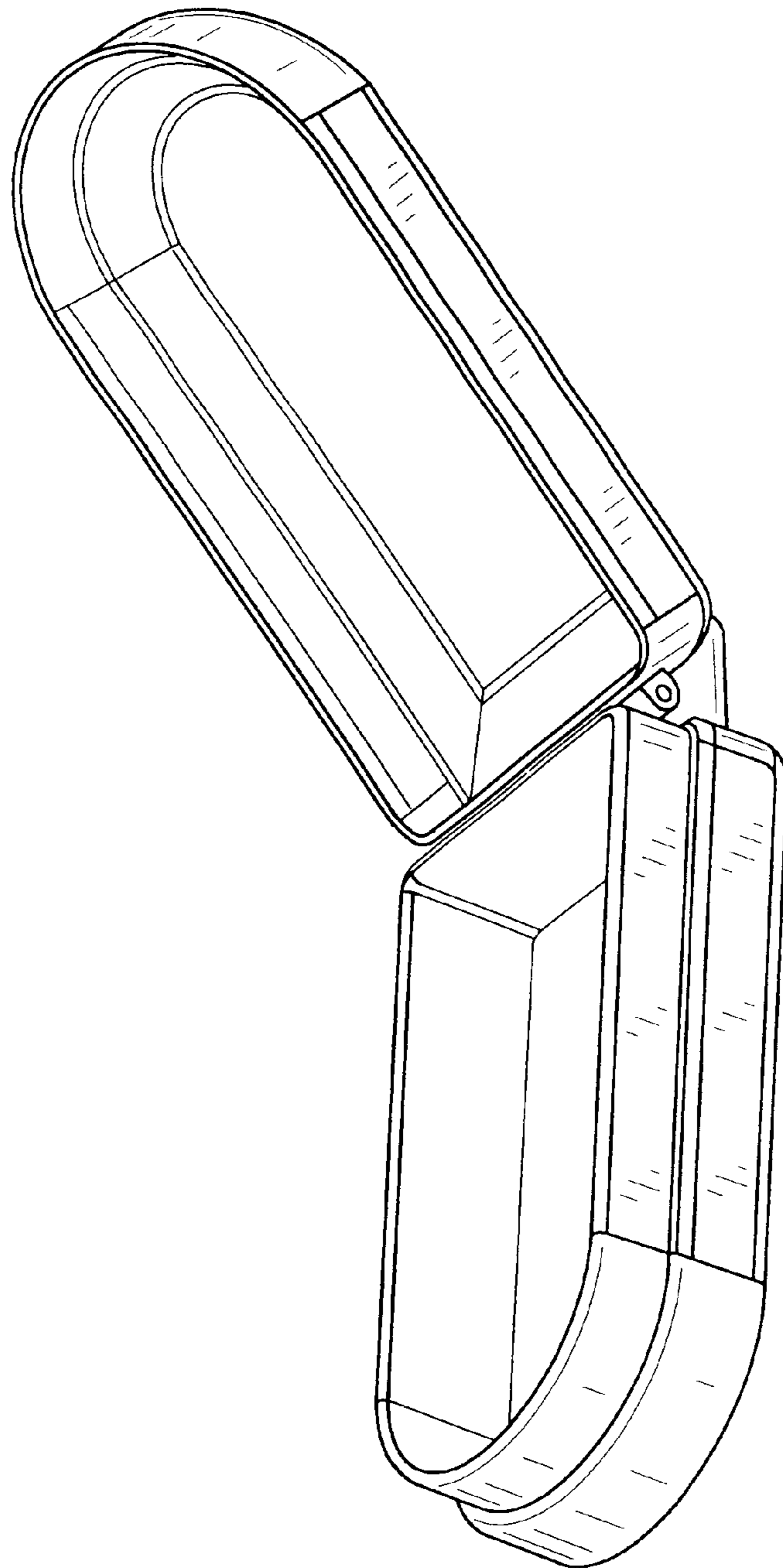


FIG. 2

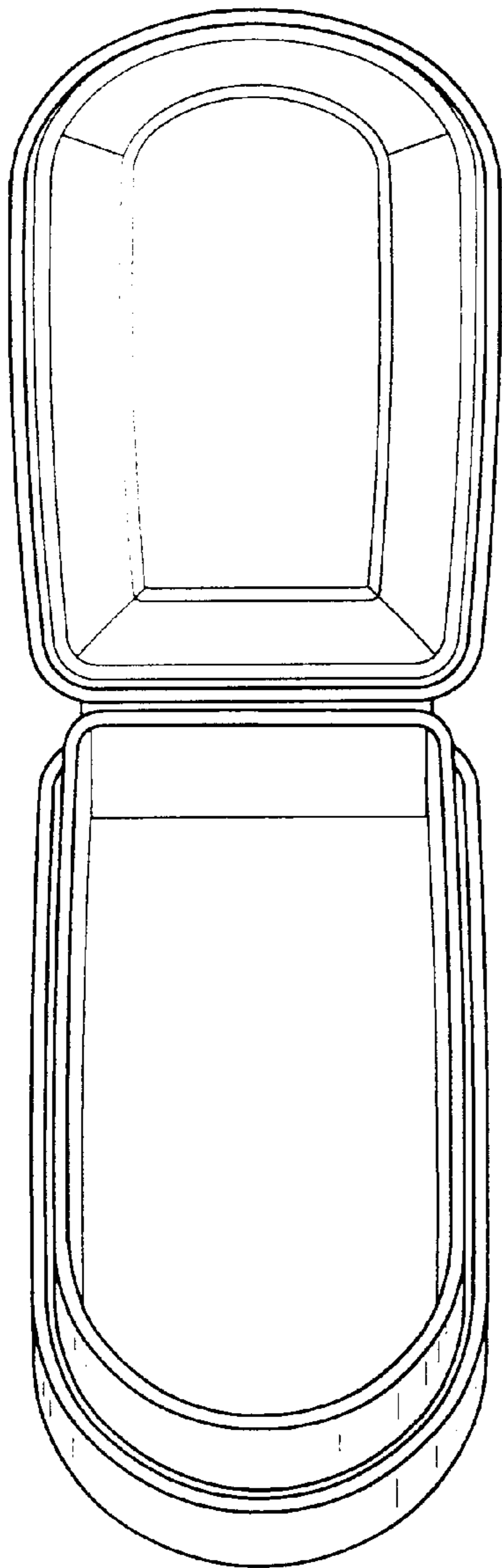


FIG. 3

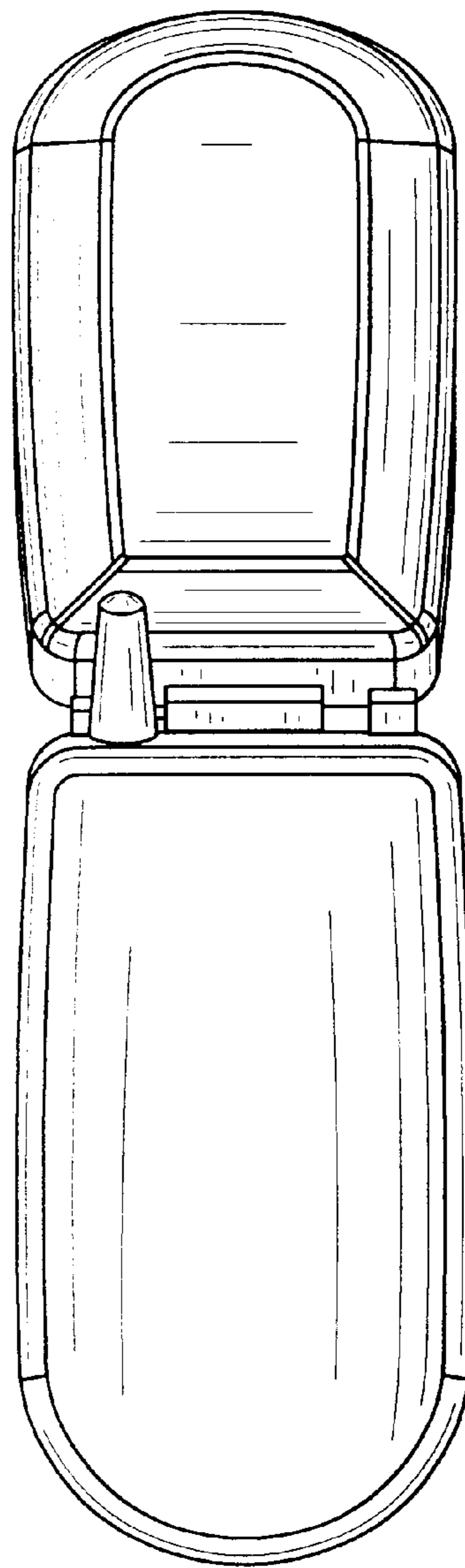


FIG. 4

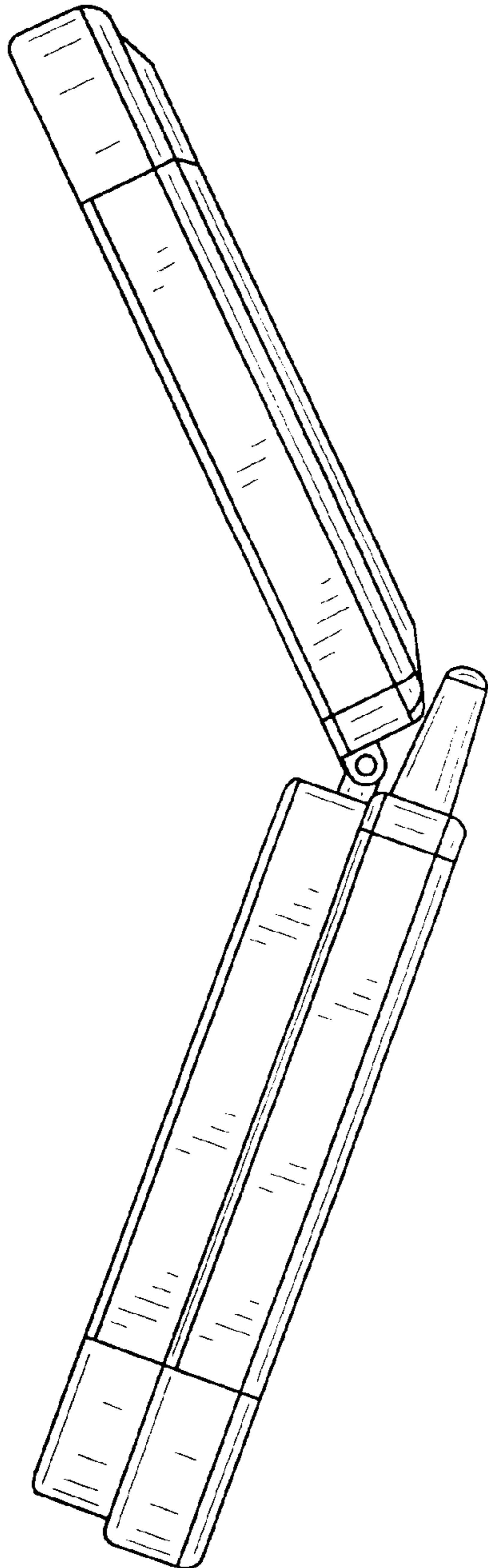


FIG. 5

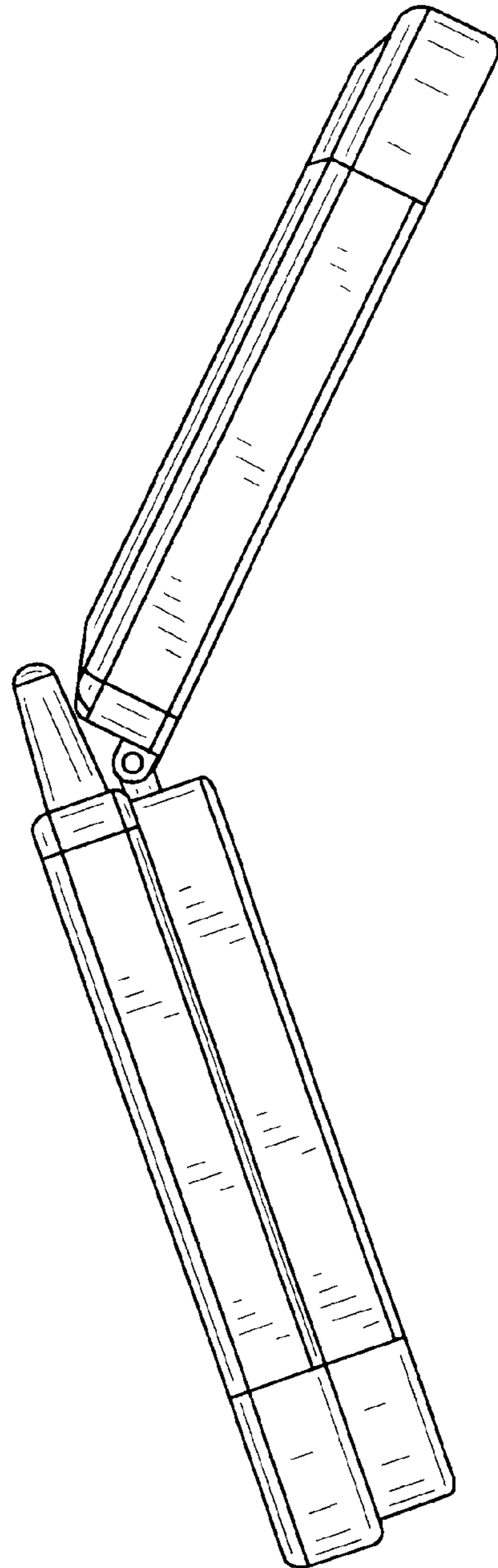


FIG. 6

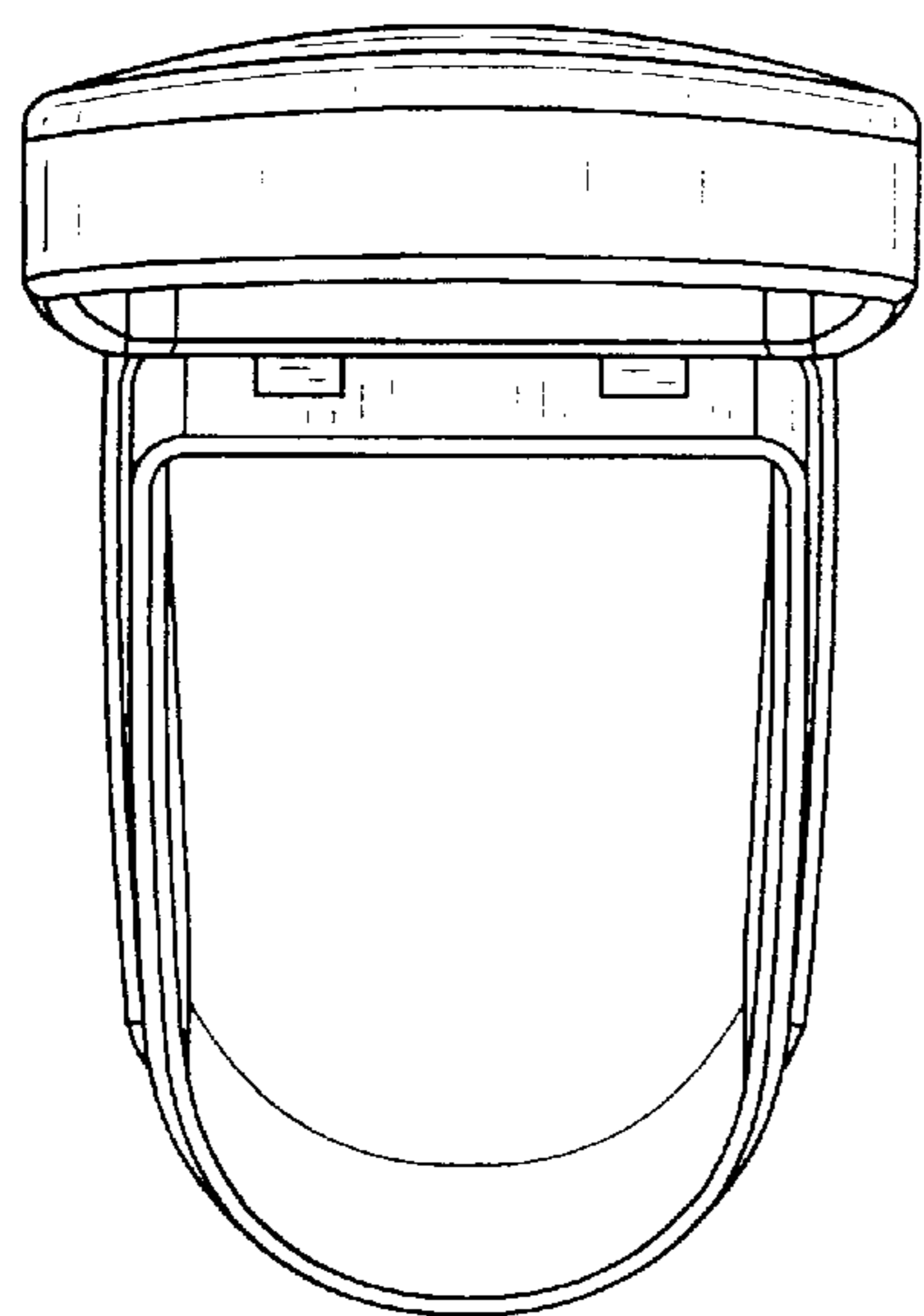


FIG. 7

