



US00D539661S

(12) **United States Design Patent** (10) **Patent No.:** **US D539,661 S**
Eble (45) **Date of Patent:** **** Apr. 3, 2007**

(54) **CONTAINER**
(75) Inventor: **Raymond C. Eble**, Sugarloaf, PA (US)
(73) Assignee: **Pretium Packaging, LLC**, St. Louis, MO (US)
(**) Term: **14 Years**
(21) Appl. No.: **29/233,988**
(22) Filed: **Jul. 12, 2005**

(51) **LOC (8) Cl.** **09-01**
(52) **U.S. Cl.** **D9/553; D9/557; D9/558**
(58) **Field of Classification Search** D9/414, D9/500, 503-505, 516-517, 530, 537-540, D9/549, 551, 553, 556-558; D7/606-608; 215/379, 382-384; 220/660, 662, 669-670
See application file for complete search history.

(56) **References Cited**
U.S. PATENT DOCUMENTS

| | | | |
|-------------|----------|-----------------|--------|
| D102,268 S | 12/1936 | Flannery | |
| D105,274 S | 7/1937 | Fuerst | |
| 2,893,678 A | 7/1959 | Human et al. | |
| D194,811 S | 3/1963 | Worthington | |
| D199,869 S | 12/1964 | Trombley et al. | |
| D212,276 S | 9/1968 | Lodding | |
| 3,464,546 A | 9/1969 | Thomka | |
| 4,318,882 A | 3/1982 | Agrawal et al. | |
| D268,324 S | 3/1983 | Gautier | |
| 4,497,855 A | 2/1985 | Agrawal et al. | |
| 4,665,682 A | 5/1987 | Kerins et al. | |
| D292,378 S | 10/1987 | Brandt et al. | |
| D299,314 S | * 1/1989 | LeFevre | D9/520 |
| D306,262 S | 2/1990 | Bit | |
| 5,024,341 A | 6/1991 | Dekerle | |
| D348,007 S | 6/1994 | Feen | |
| D348,837 S | 7/1994 | Feen | |
| D366,421 S | * 1/1996 | Best | D9/542 |
| D382,806 S | 8/1997 | Wilson et al. | |
| 5,862,929 A | 1/1999 | Takeuchi et al. | |
| D411,750 S | 6/1999 | Forecast et al. | |
| D427,910 S | 7/2000 | Barnes et al. | |

| | | | | |
|--------------|---|---------|-----------------|--------|
| D428,814 S | * | 8/2000 | Silvers et al. | D9/502 |
| D450,244 S | * | 11/2001 | Rashid | D9/503 |
| D450,248 S | * | 11/2001 | Ogg | D9/549 |
| D467,813 S | * | 12/2002 | Silvers et al. | D9/538 |
| D495,602 S | * | 9/2004 | Daly et al. | D9/516 |
| D505,077 S | * | 5/2005 | Piccioli et al. | D9/538 |
| 6,905,038 B2 | | 6/2005 | Lopez | |
| 6,908,002 B2 | | 6/2005 | Young et al. | |
| 6,910,599 B2 | | 6/2005 | Tucker et al. | |
| D523,331 S | * | 6/2006 | Yourist et al. | D9/553 |

OTHER PUBLICATIONS

Web site—<http://www.pretiumpkg.com/hazleton-product-Detail.asp?strProduct=Ec...>, p. 1 of 2, Jul. 13, 2005.
Advertisement: Pretium Packaging, L.L.C., “Some of the best dressed names in private label foods com decked out in crystal clear, unbreakable, recyclable P.E.T. Jars from . . .”, undated.
Pretium Packaging L.L.C.—Product Specifications for Product Code 4014, 32 oz., 70-450(G), undated.

* cited by examiner

Primary Examiner—Ian Simmons
Assistant Examiner—Dana Sipos
(74) *Attorney, Agent, or Firm*—Lewis, Rice & Fingersh, L.C.

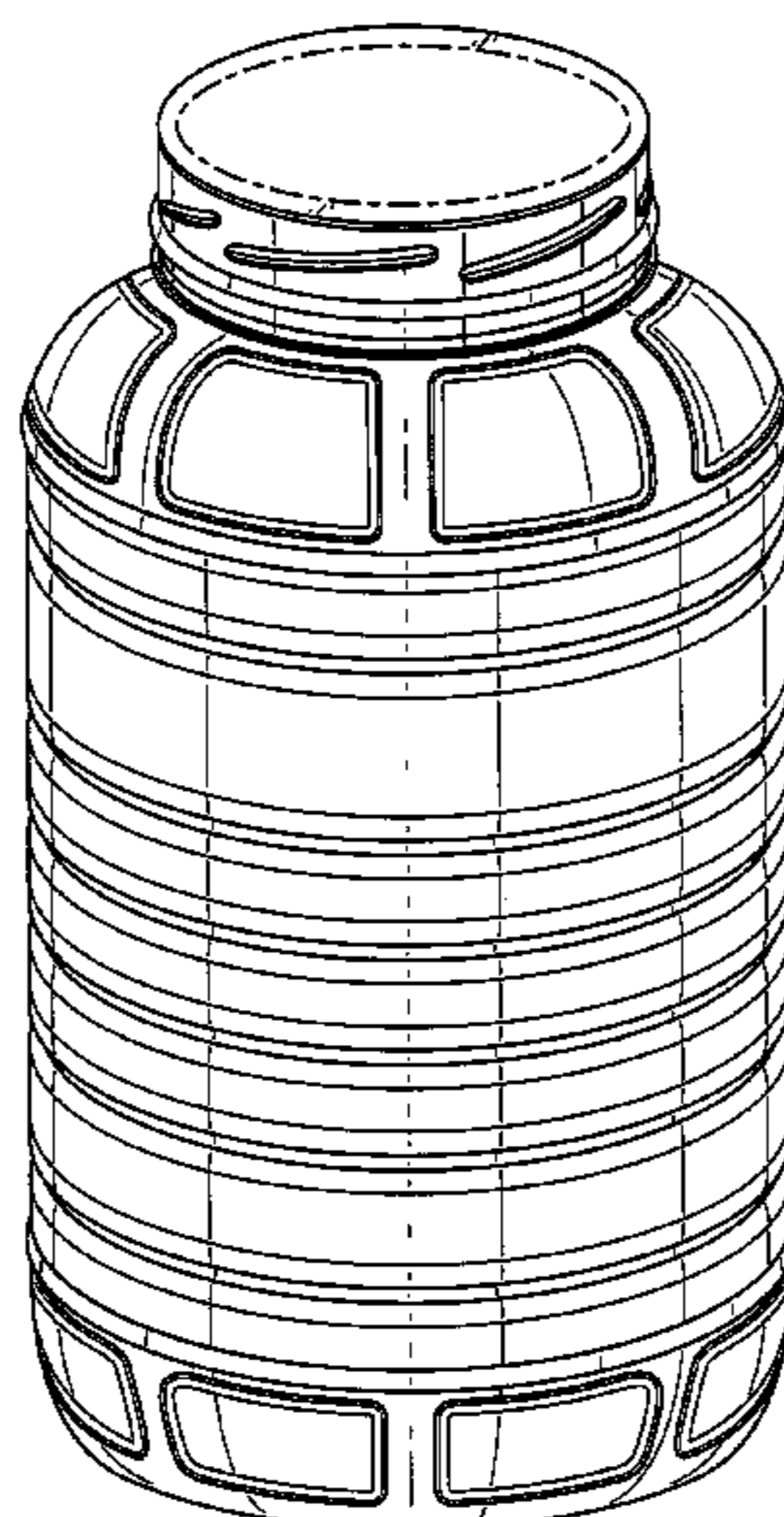
(57) **CLAIM**

The ornamental design for a container, as shown and described.

DESCRIPTION

FIG. 1 provides a perspective view of the container.
FIG. 2 provides a rear view of the container.
FIG. 3 provides a front view of the container.
FIG. 4 provides a left side view of the container.
FIG. 5 provides a right side view of the container.
FIG. 6 provides a top view of the container; and,
FIG. 7 provides a bottom view of the container.
The broken lines showing the interior are only for illustrative purposes only and form no part of the invention.

1 Claim, 6 Drawing Sheets



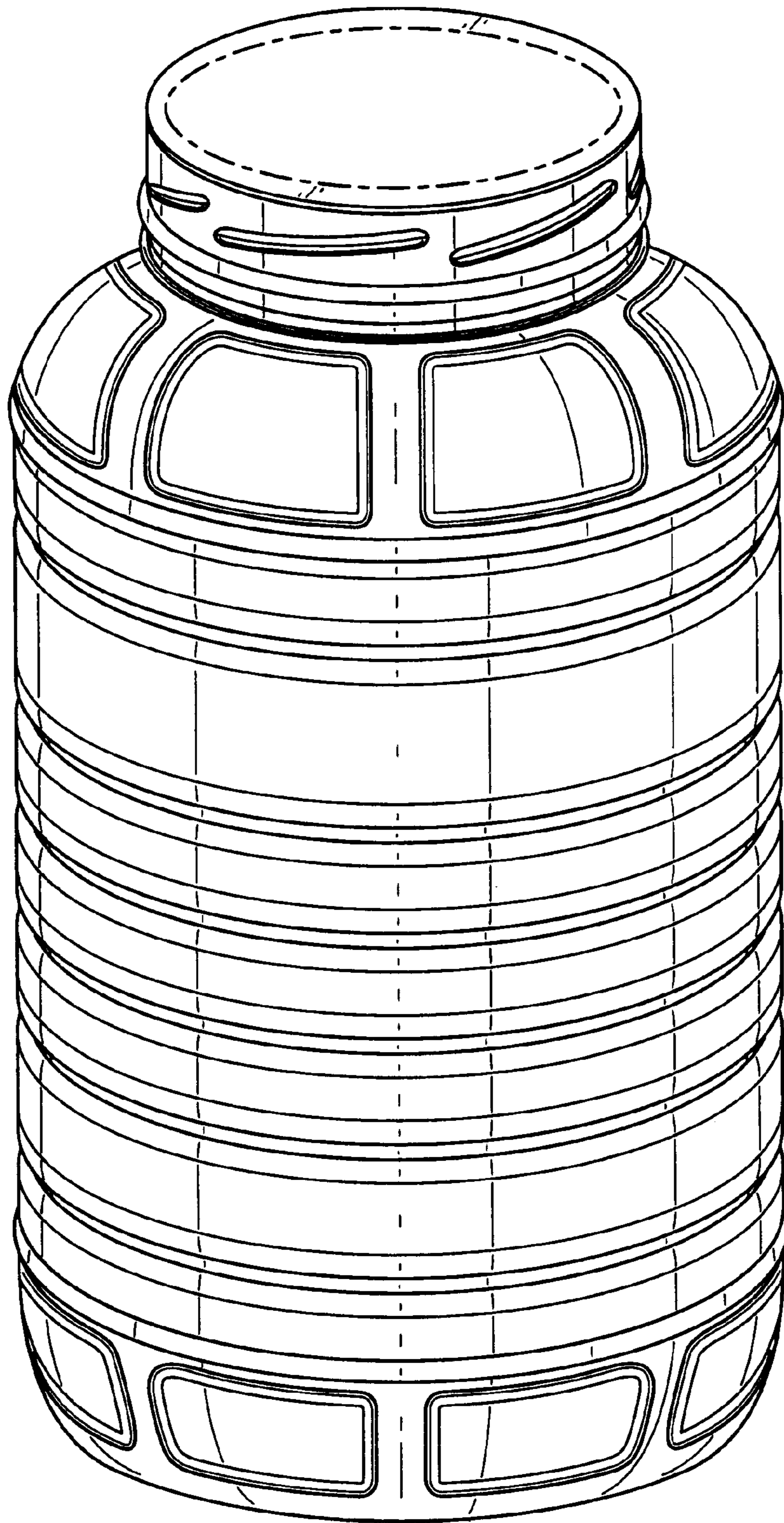


FIG. 1

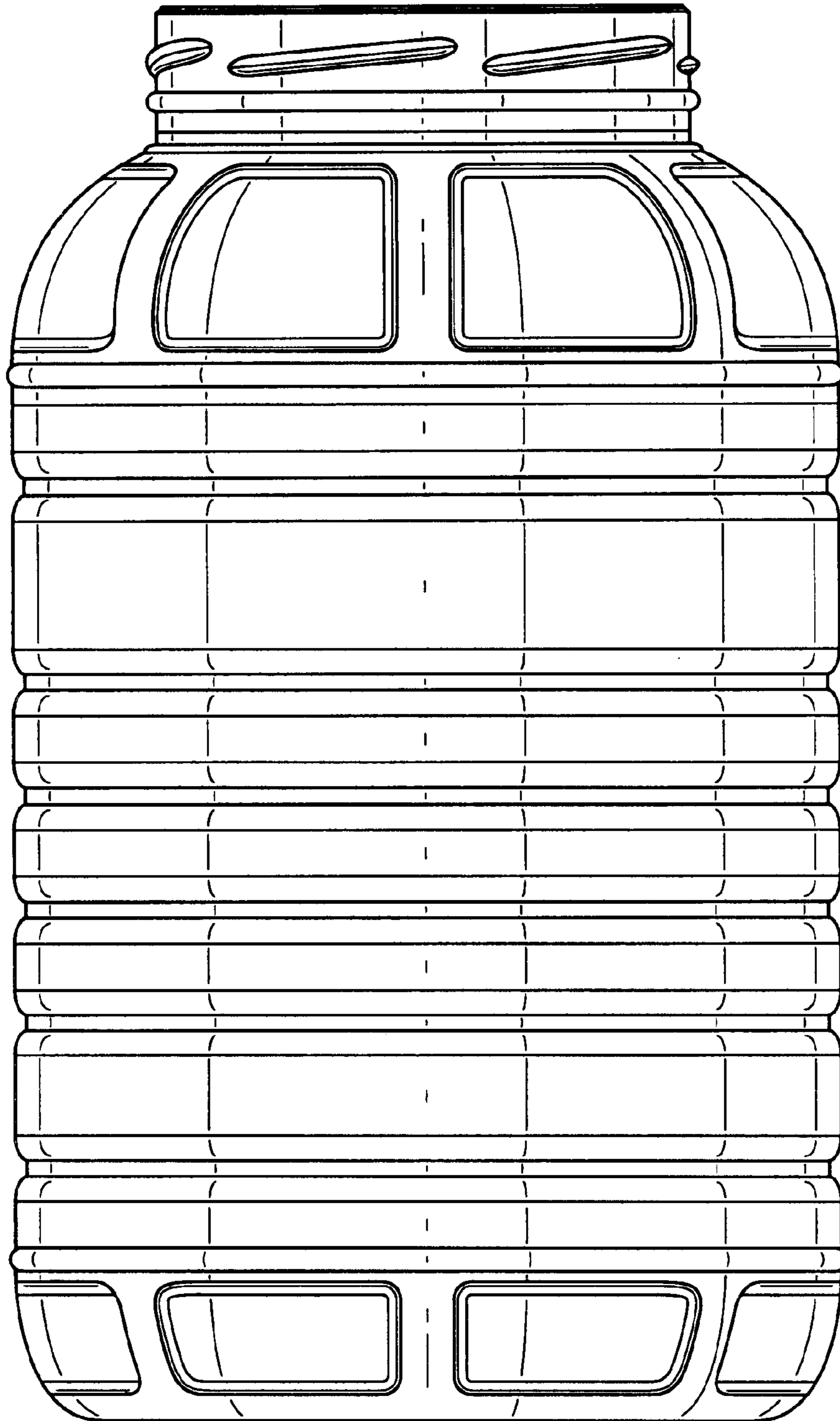


FIG. 2

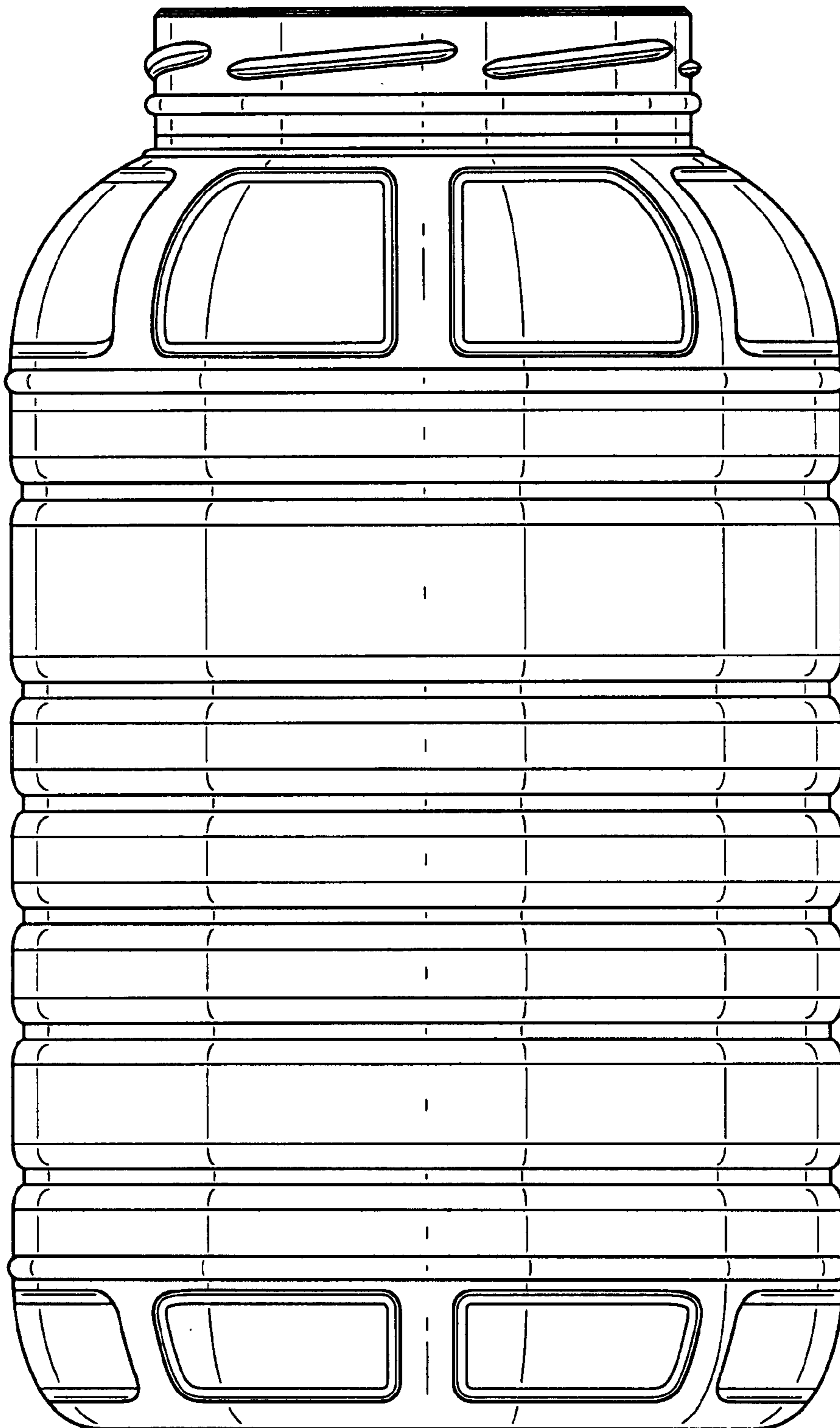


FIG. 3

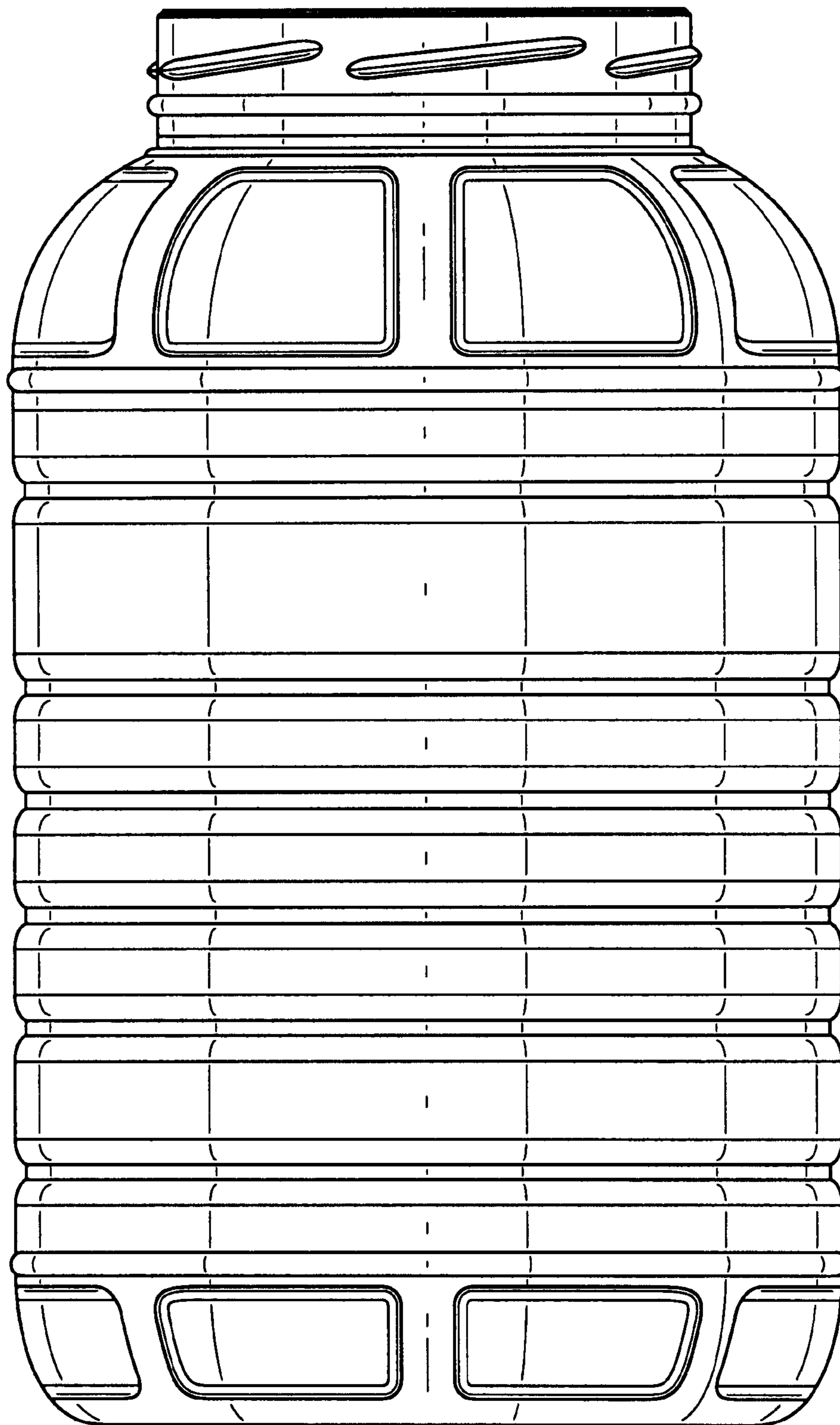


FIG. 4

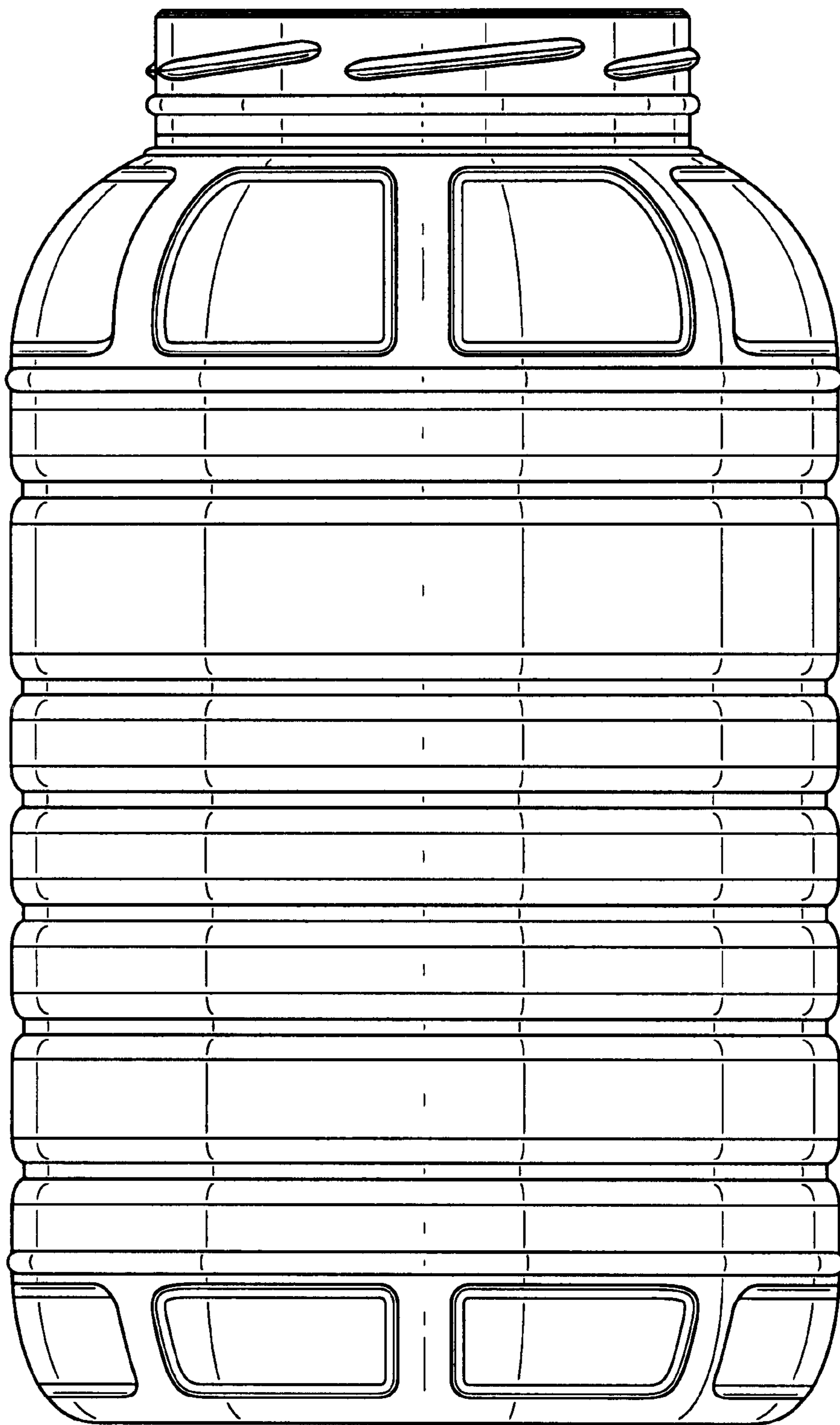


FIG. 5

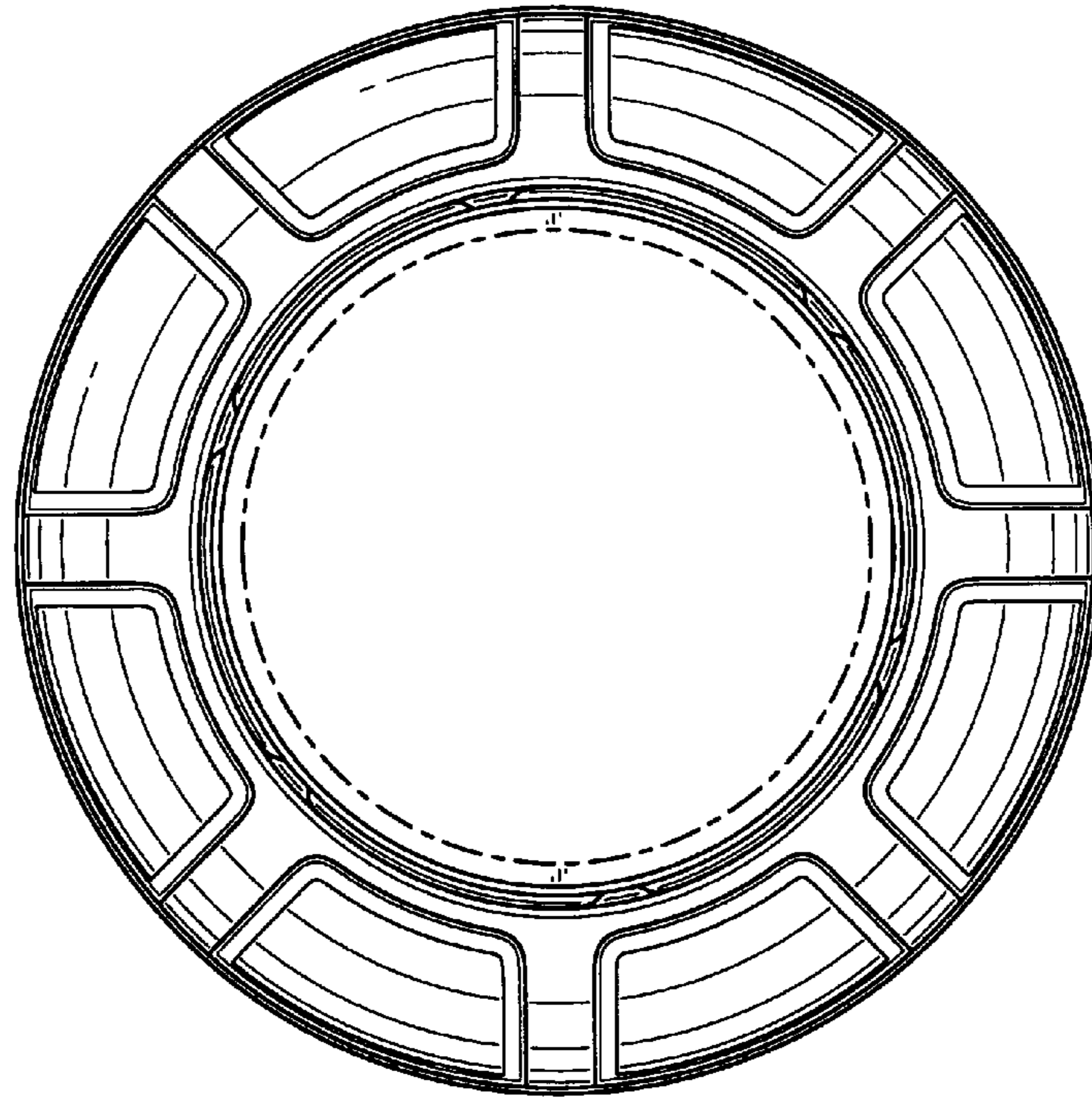


FIG. 6

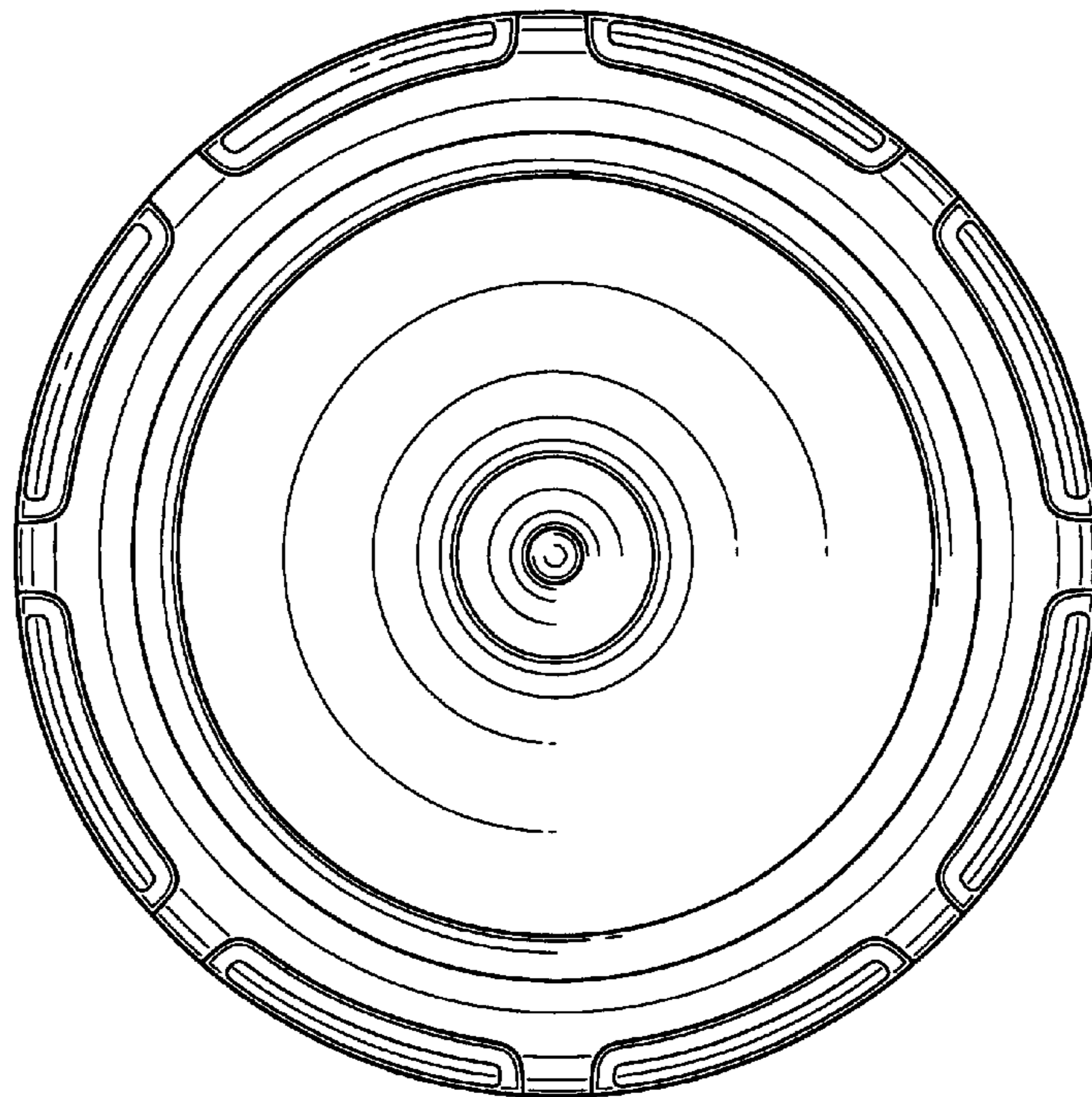


FIG. 7