



US00D539658S

(12) **United States Design Patent**  
**Slat**

(10) **Patent No.:** **US D539,658 S**

(45) **Date of Patent:** **\*\* Apr. 3, 2007**

(54) **PLASTIC CONTAINER**

D499,967 S 12/2004 Carlson  
D502,403 S \* 3/2005 Chirico ..... D9/542

(75) Inventor: **William A. Slat**, Brooklyn, MI (US)

FOREIGN PATENT DOCUMENTS

(73) Assignee: **Plastipak Packaging, Inc.**, Plymouth, MI (US)

EM 000410089-0001 \* 10/2005

(\*\*) Term: **14 Years**

\* cited by examiner

(21) Appl. No.: **29/231,015**

*Primary Examiner*—Stella Reid  
*Assistant Examiner*—Keli L. Acker  
(74) *Attorney, Agent, or Firm*—Robert H. Bachman

(22) Filed: **May 31, 2005**

(57) **CLAIM**

(51) **LOC (8) Cl.** ..... **09-01**

The ornamental design for a plastic container, as shown and described.

(52) **U.S. Cl.** ..... **D9/541**

(58) **Field of Classification Search** ..... D9/500–505,  
D9/516, 530, 537–543, 552, 558, 565, 682,  
D9/686, 688–692; 215/382–384  
See application file for complete search history.

**DESCRIPTION**

(56) **References Cited**

U.S. PATENT DOCUMENTS

D70,165 S	5/1926	Fox	
D81,937 S	6/1930	McNally	
D227,873 S	7/1973	Stanley	
D294,679 S	* 3/1988	Griesing et al.	D9/520
D406,065 S	* 2/1999	Cheng	D9/552
D409,091 S	* 5/1999	Beaver et al.	D9/538
D420,291 S	2/2000	Gnann	
D423,935 S	* 5/2000	Frazer	D9/520
D427,071 S	6/2000	Williams	
D430,036 S	8/2000	Steward	
D431,780 S	10/2000	DeSwarte	
D432,430 S	10/2000	Steward	
D435,219 S	* 12/2000	Williams et al.	D9/538
D455,964 S	4/2002	Patterson	
D455,966 S	4/2002	Patterson	
D458,146 S	* 6/2002	Sadeghi et al.	D9/560
D468,212 S	* 1/2003	Wasson et al.	D9/541
D478,289 S	* 8/2003	Dean et al.	D9/542
D481,635 S	11/2003	Lovelace, Jr.	

FIG. 1 is a perspective view of a first embodiment of the container of the present invention showing the front and right side thereof.

FIG. 2 is a perspective view of the container of FIG. 1 showing the front thereof.

FIG. 3 is a plan view of the container of FIG. 1 showing the rear thereof.

FIG. 4 is a top view of the container of FIG. 1.

FIG. 5 is a bottom view of the container of FIG. 1.

FIG. 6 is a perspective view of a second embodiment of the container of the present invention showing the front and right side thereof.

FIG. 7 is a perspective view of the container of FIG. 6 showing the front thereof.

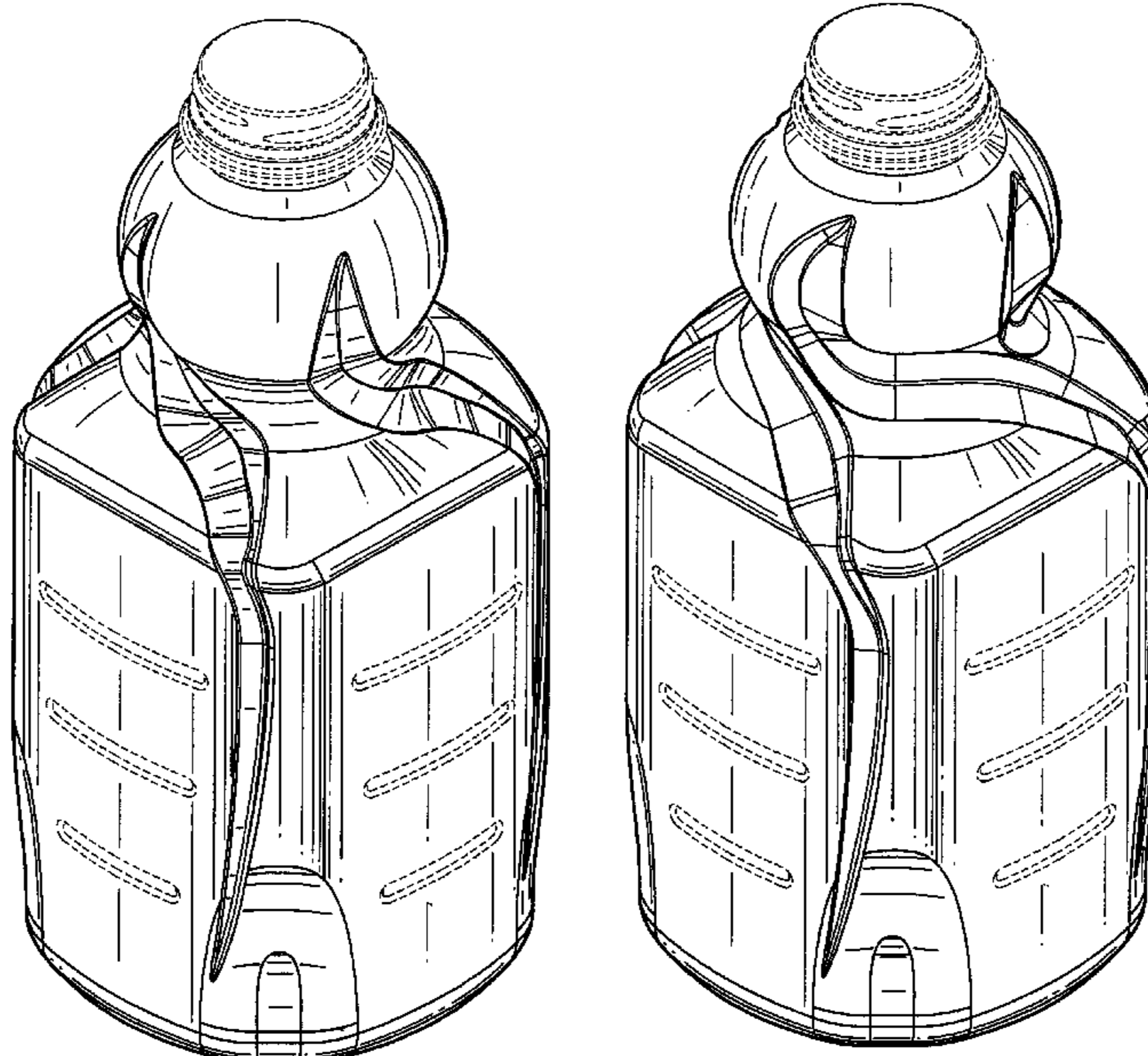
FIG. 8 is a plan view of the container of FIG. 6 showing the rear thereof.

FIG. 9 is a top view of the container of FIG. 6; and,

FIG. 10 is a bottom view of the container of FIG. 6.

The broken lines in the drawings are for illustrative purposes only and do not form a part of the claimed design.

**1 Claim, 4 Drawing Sheets**



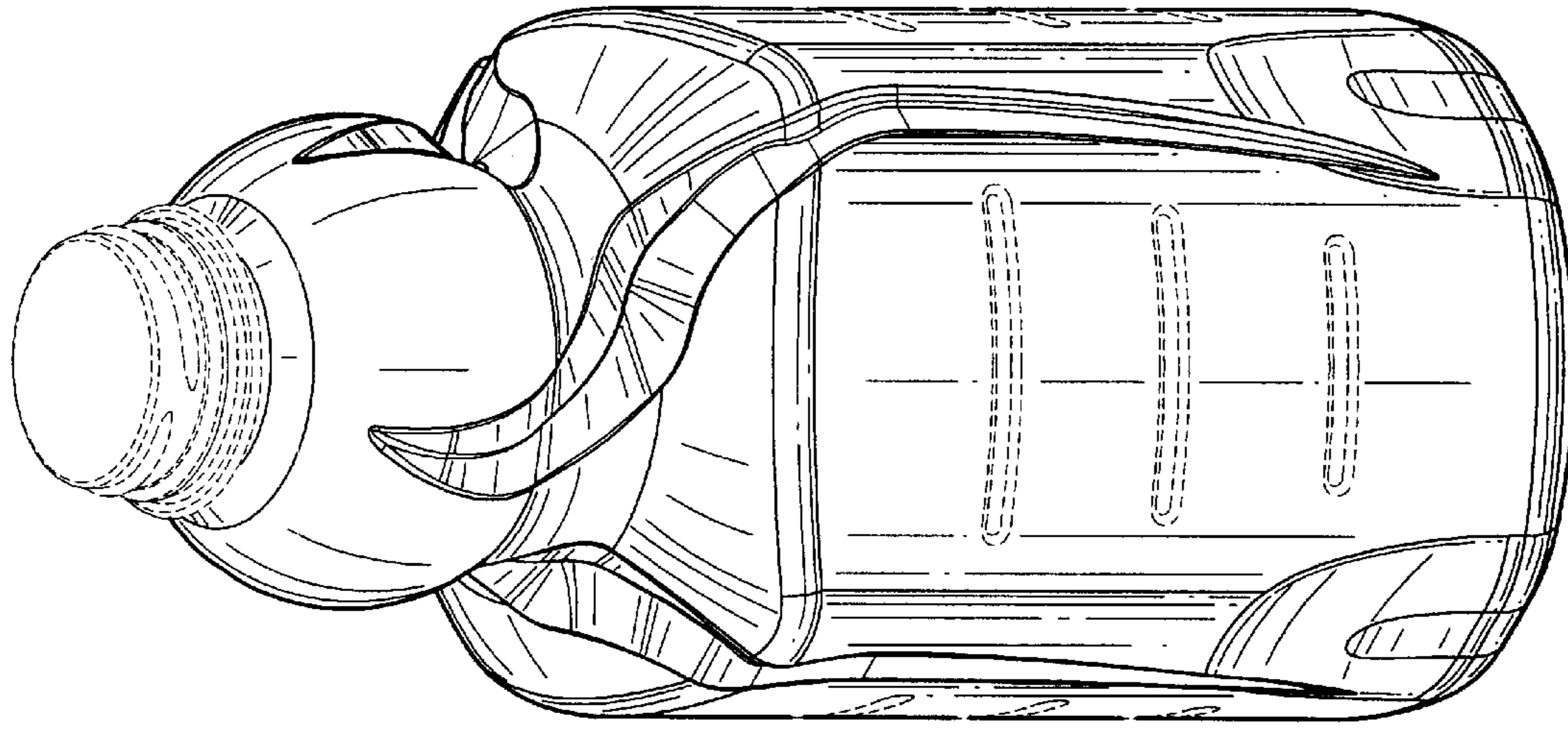


FIG. 1

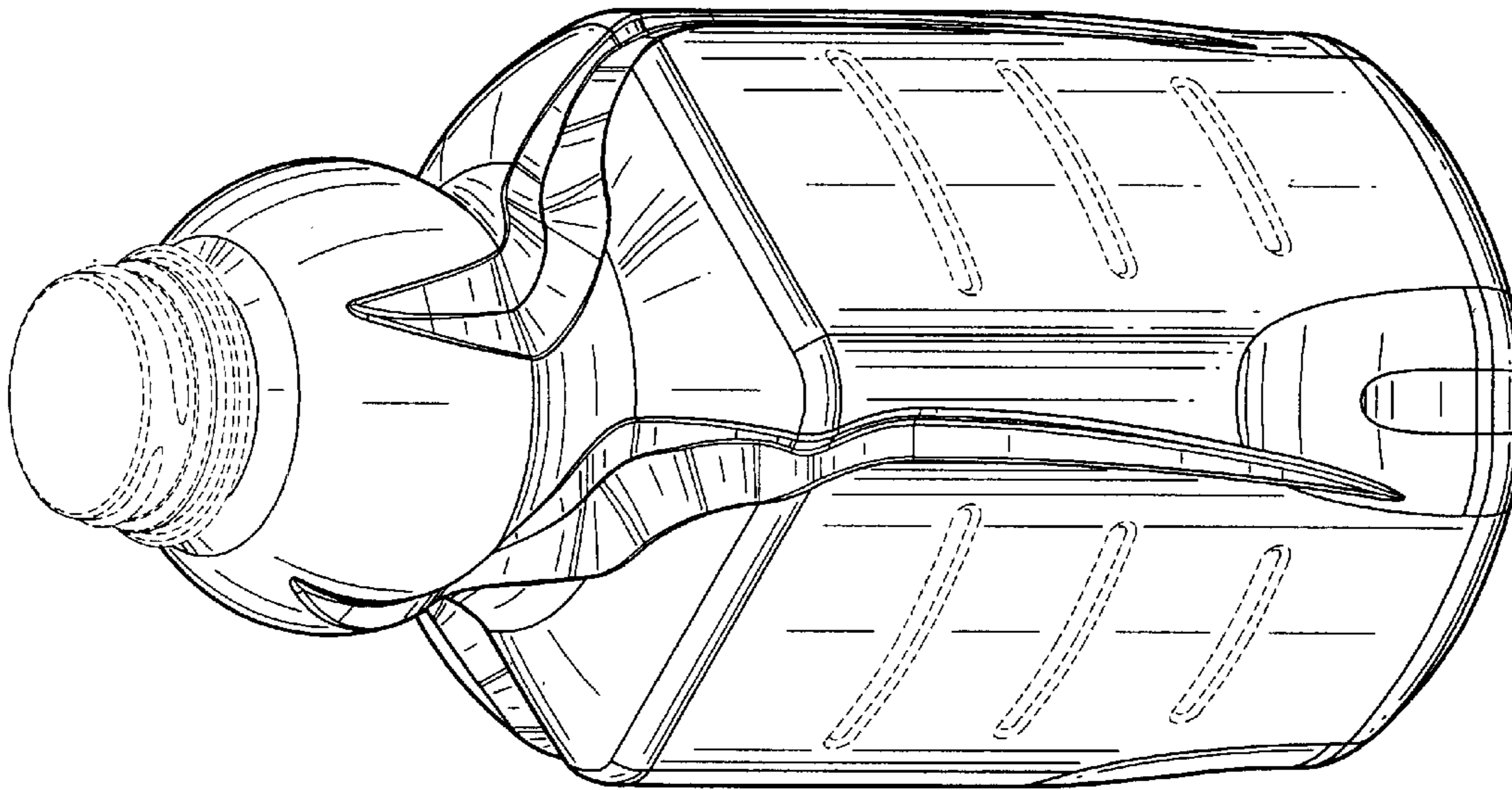


FIG. 2



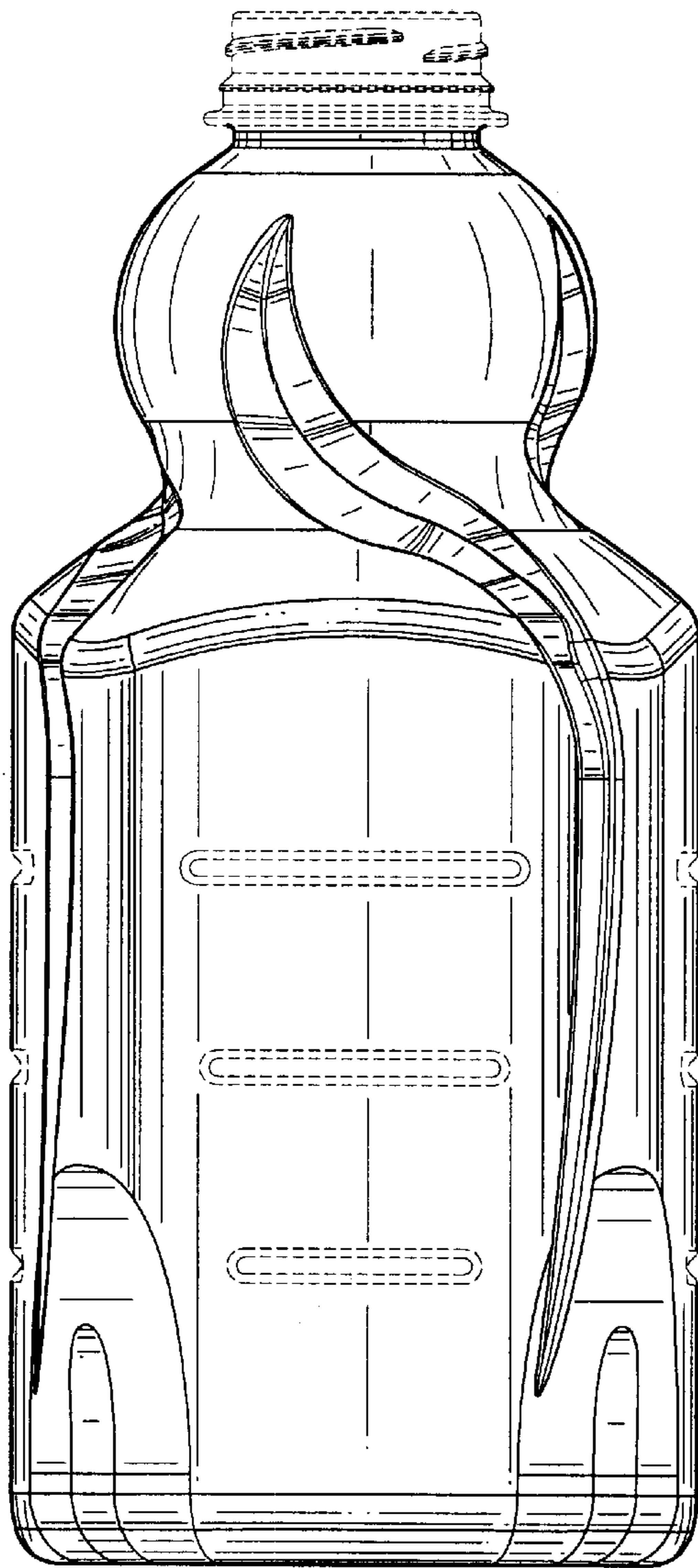


FIG. 3

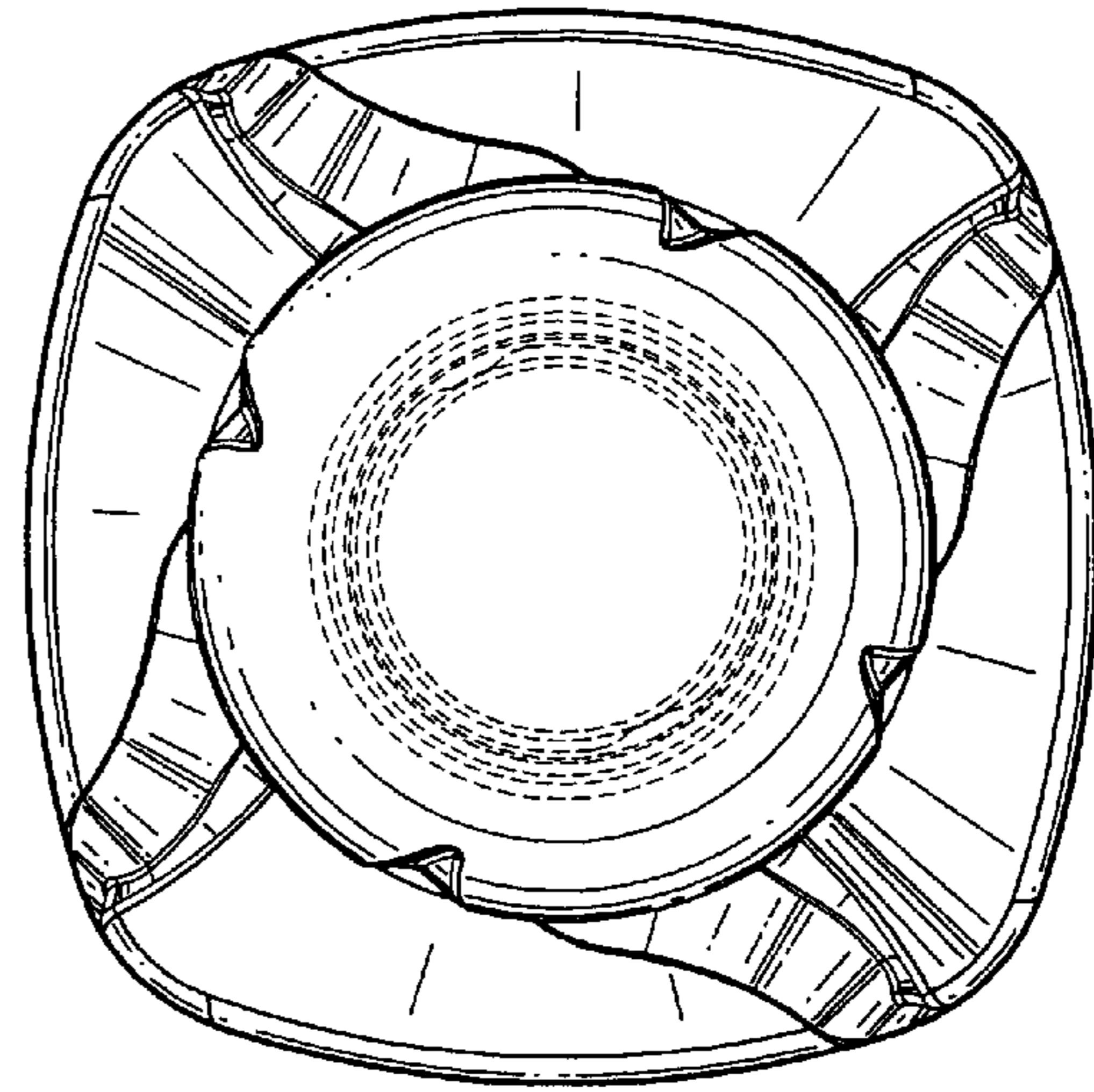


FIG. 4

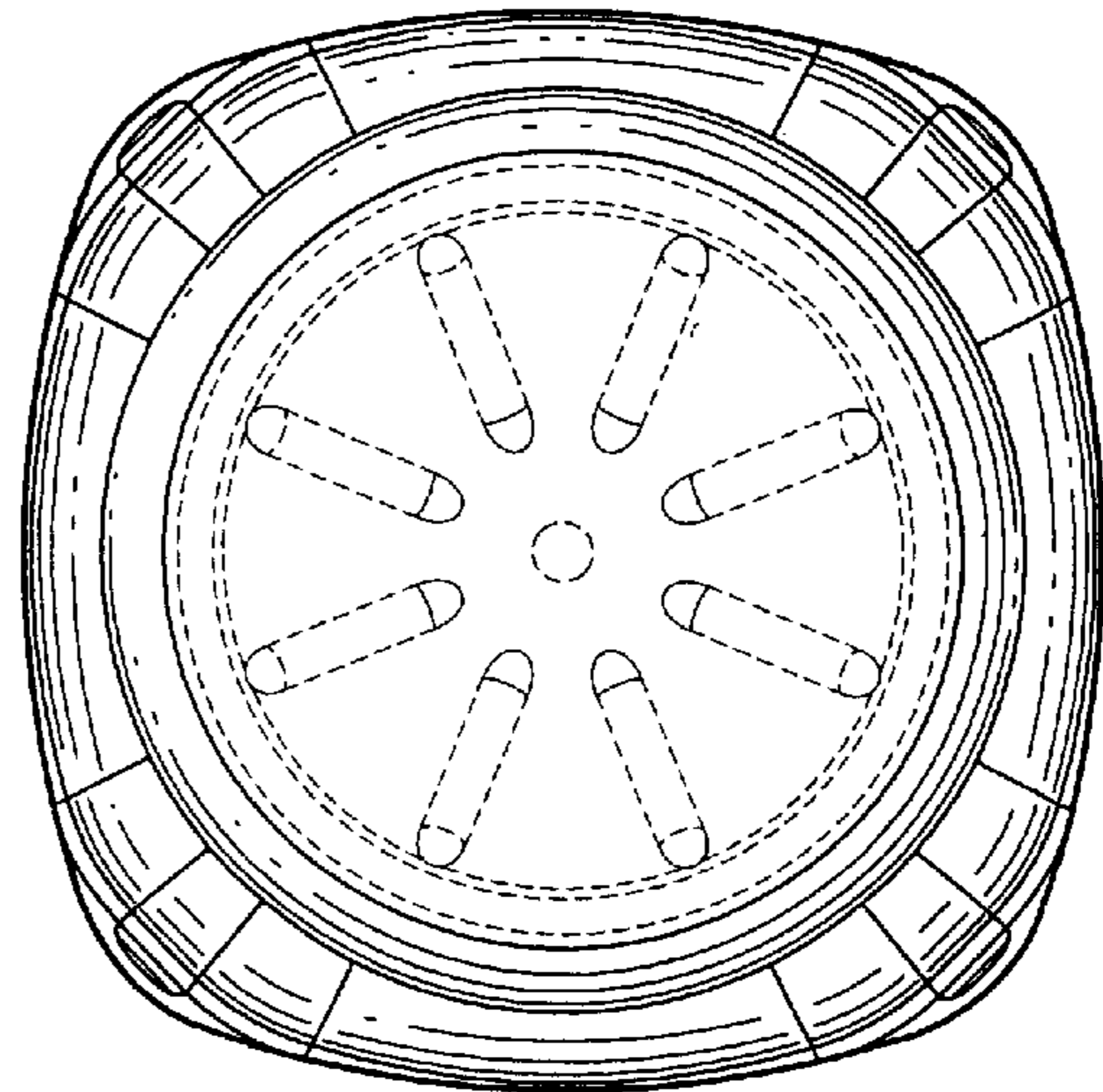


FIG. 5

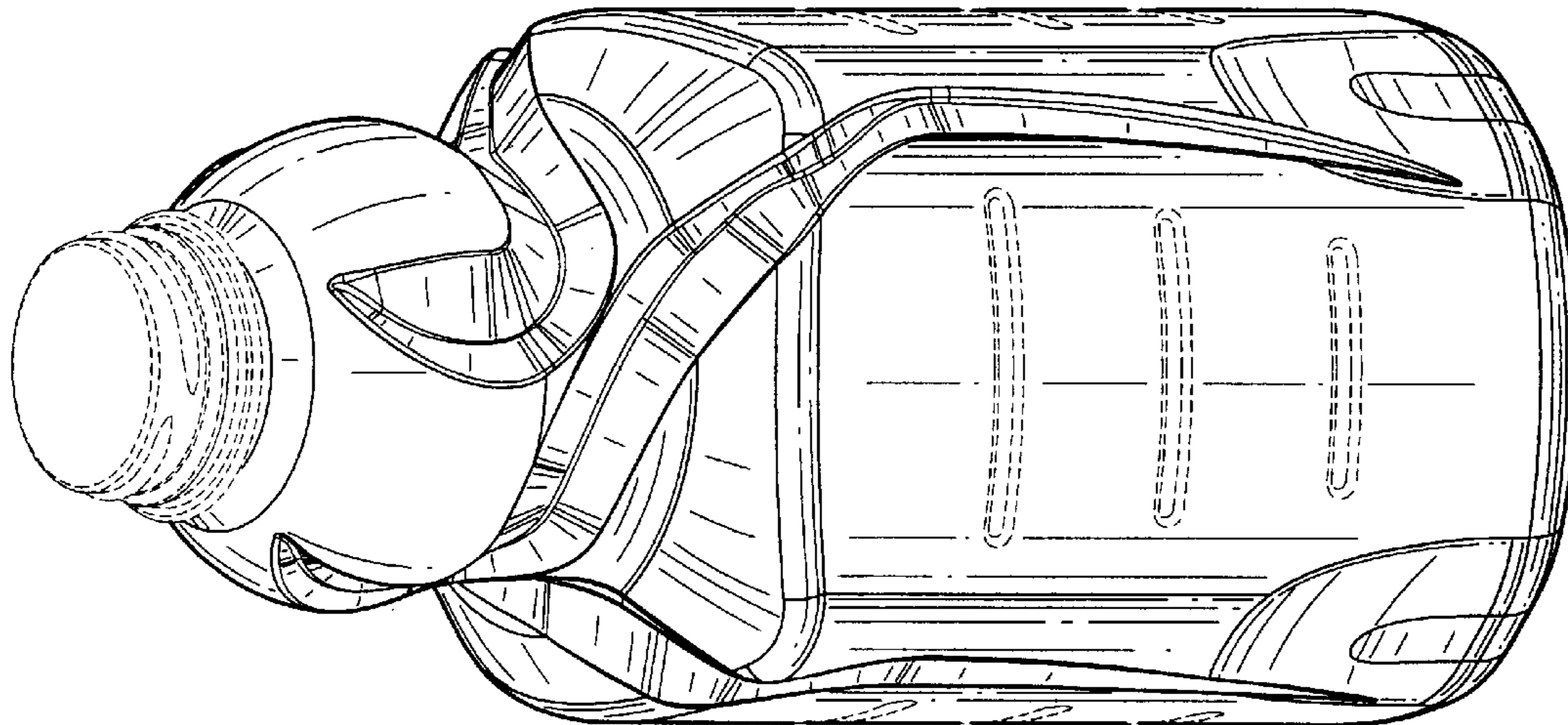


FIG. 6

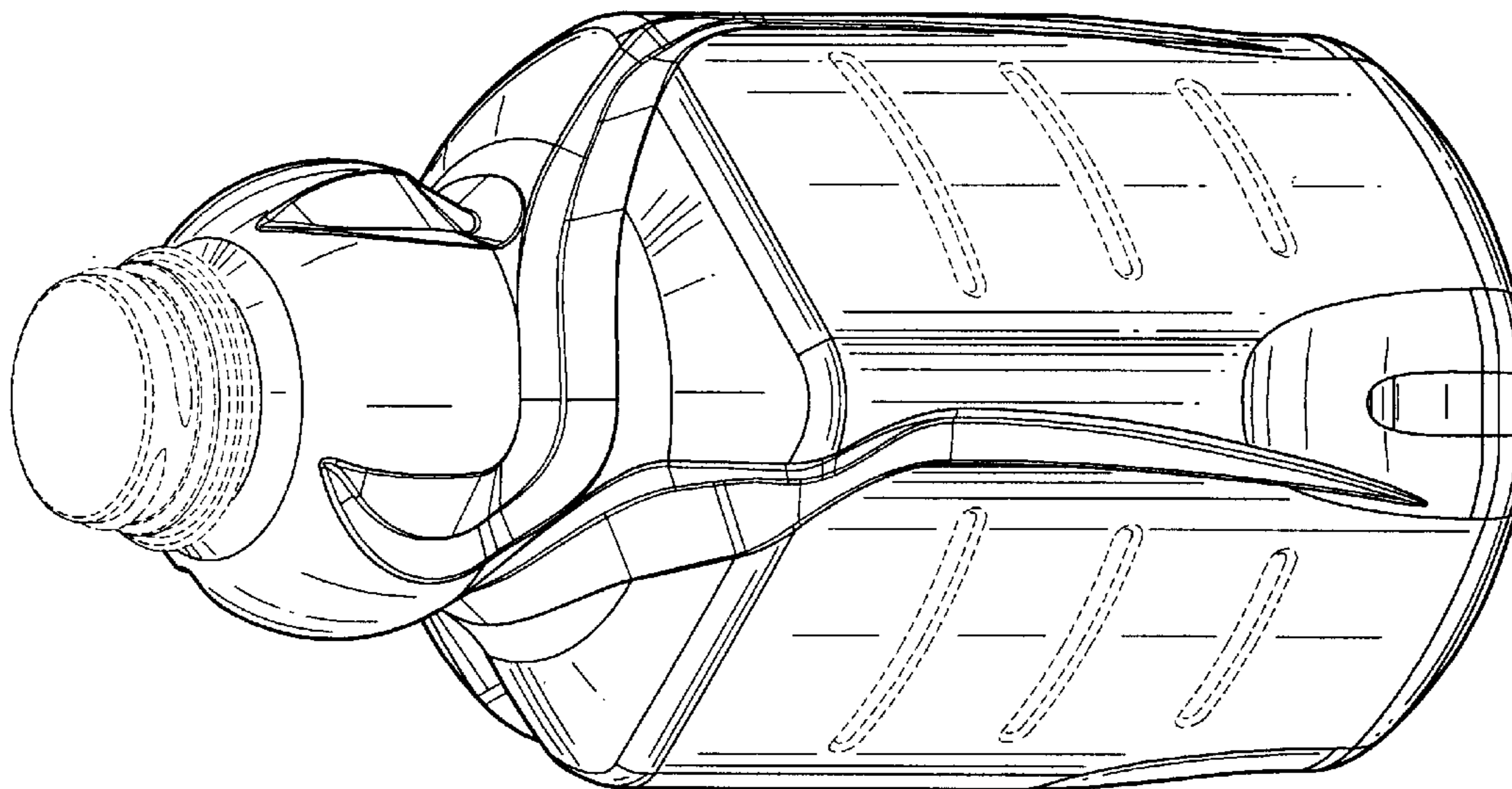
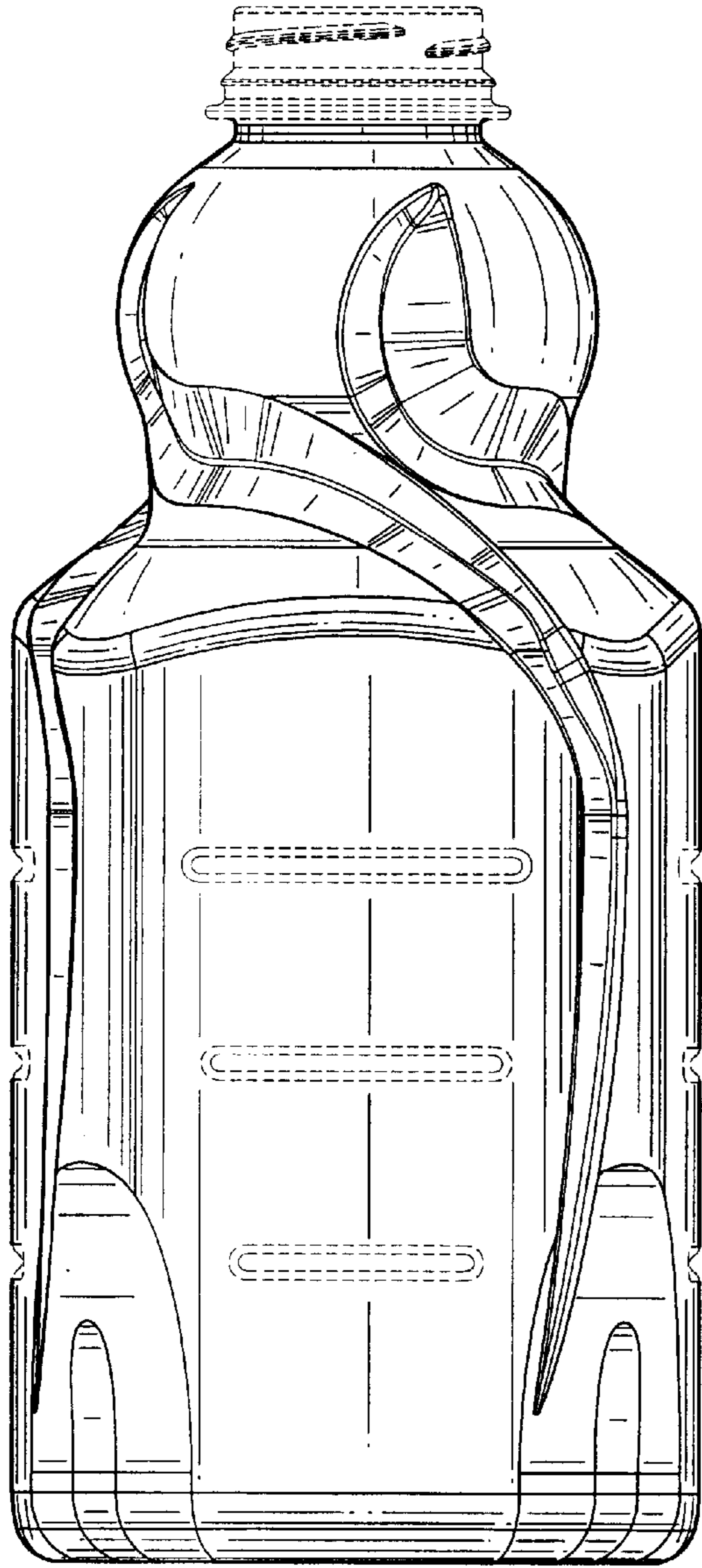
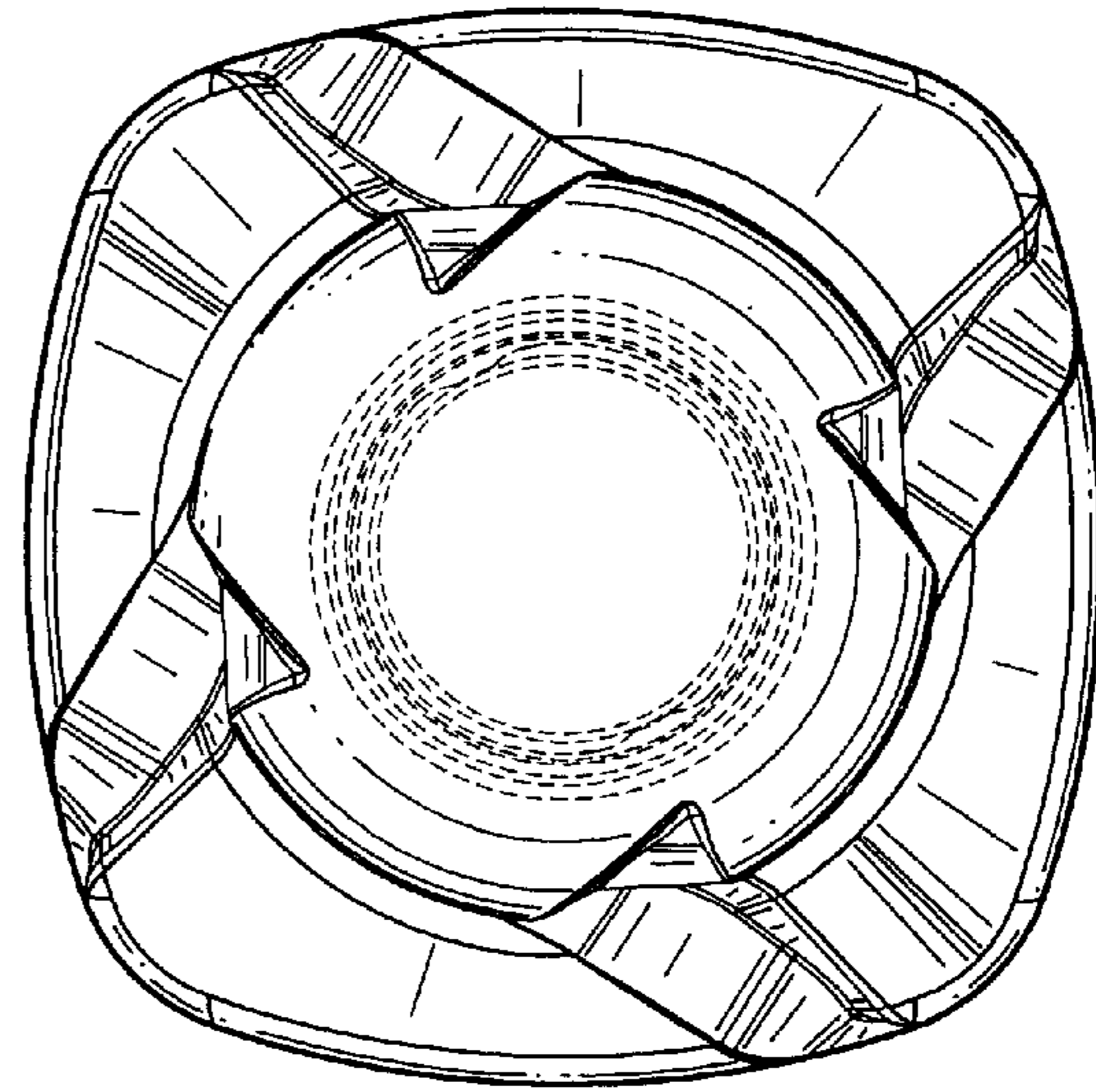


FIG. 7

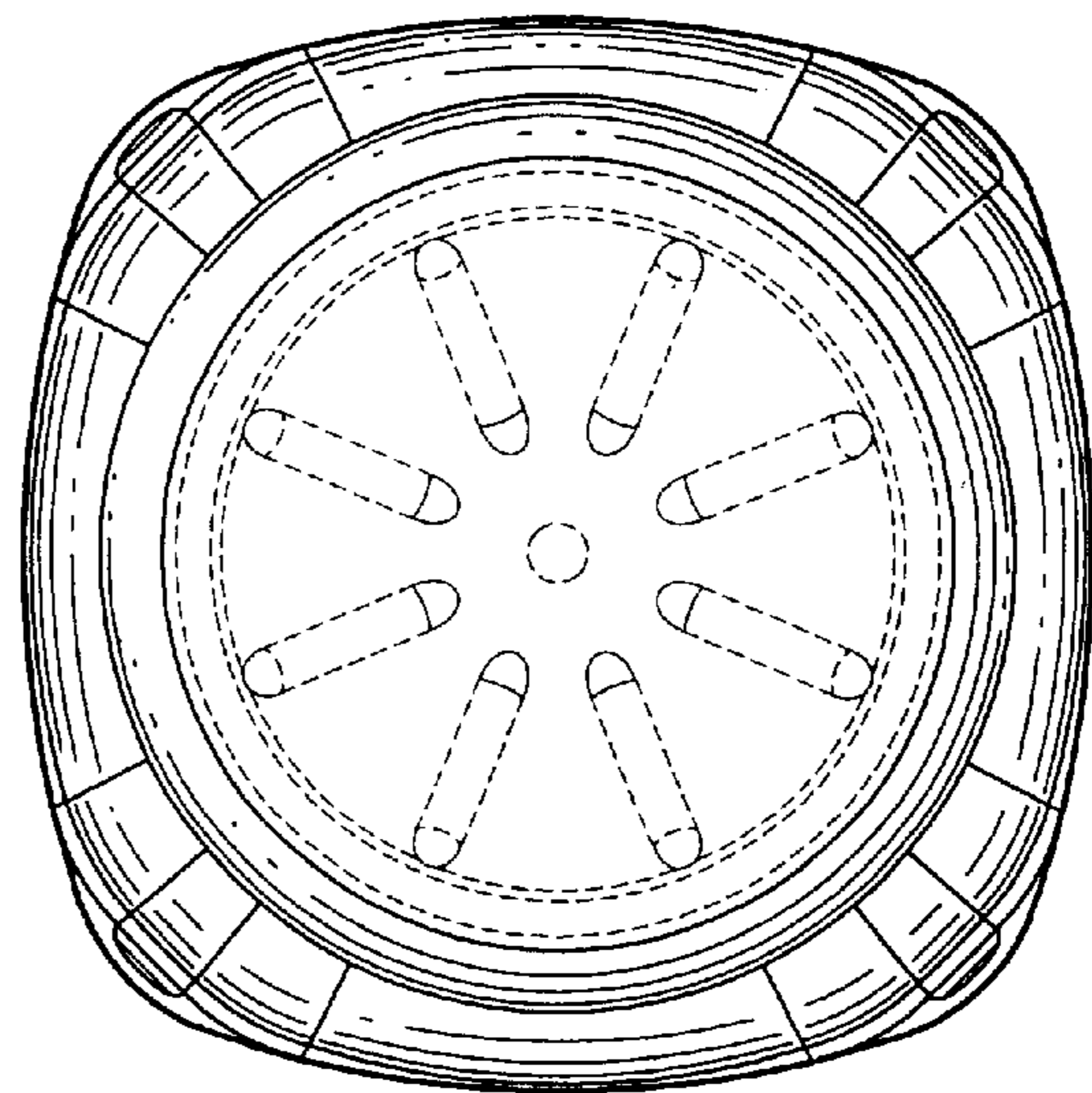




*FIG. 8*



*FIG. 9*



*FIG. 10*