



US00D539655S

(12) **United States Design Patent** (10) **Patent No.:** **US D539,655 S**
Kipperman et al. (45) **Date of Patent:** **** Apr. 3, 2007**

(54) **CONTAINER**

(75) Inventors: **Stuart R. Kipperman**, Evansville, IN (US); **Cathy O. Smay**, Newburgh, IN (US)

(73) Assignee: **Bristol-Myers Squibb Company**, Princeton, NJ (US)

(**) Term: **14 Years**

(21) Appl. No.: **29/222,722**

(22) Filed: **Feb. 2, 2005**

(51) **LOC (8) Cl.** **09-01**

(52) **U.S. Cl.** **D9/529; D9/558**

(58) **Field of Classification Search** D9/424, D9/428, 500, 502-504, 509-511, 513, 516, D9/529-530, 537, 543, 548-549, 555, 560, D9/568, 571, 575; D28/73, 76, 91; D7/543, D7/601-603, 612, 529; 215/12.2, 13.1, 381-385, 215/396, 398, 400; 220/669, 675-676

See application file for complete search history.

(56) **References Cited**

U.S. PATENT DOCUMENTS

D221,169 S	*	7/1971	Benes	D7/584
D225,730 S	*	1/1973	Peterson	D9/529
D241,917 S	*	10/1976	Borum	D9/452
D259,625 S	*	6/1981	Hamilton et al.	D9/428
D339,958 S	*	10/1993	Olsen et al.	D9/454
D370,300 S	*	5/1996	Gottvald et al.	D7/603
D405,609 S	*	2/1999	Fu et al.	D3/302

D453,892 S	*	2/2002	Lindsay et al.	D7/596
D456,265 S	*	4/2002	Spear	D9/502
D474,377 S	*	5/2003	Holsinger	D9/529
D474,651 S	*	5/2003	Ward	D9/529
D502,396 S	*	3/2005	Frisch et al.	D9/503

OTHER PUBLICATIONS

- (Pending) U.S. Appl. No. 29/206,122, filed May 26, 2004.
- (Pending) U.S. Appl. No. 60/574,411, filed May 26, 2004.
- (Pending) U.S. Appl. No. 29/206,084, filed May 26, 2004.
- (Pending) U.S. Appl. No. 29/206,083, filed May 26, 2004.
- (Pending) U.S. Appl. No. 29/206,079, filed May 26, 2004.

* cited by examiner

Primary Examiner—Ian Simmons

Assistant Examiner—Dana Sipos

(74) *Attorney, Agent, or Firm*—Nelson Mullins Riley & Scarborough, LLP

(57) **CLAIM**

The ornamental design for a container, substantially as shown and described.

DESCRIPTION

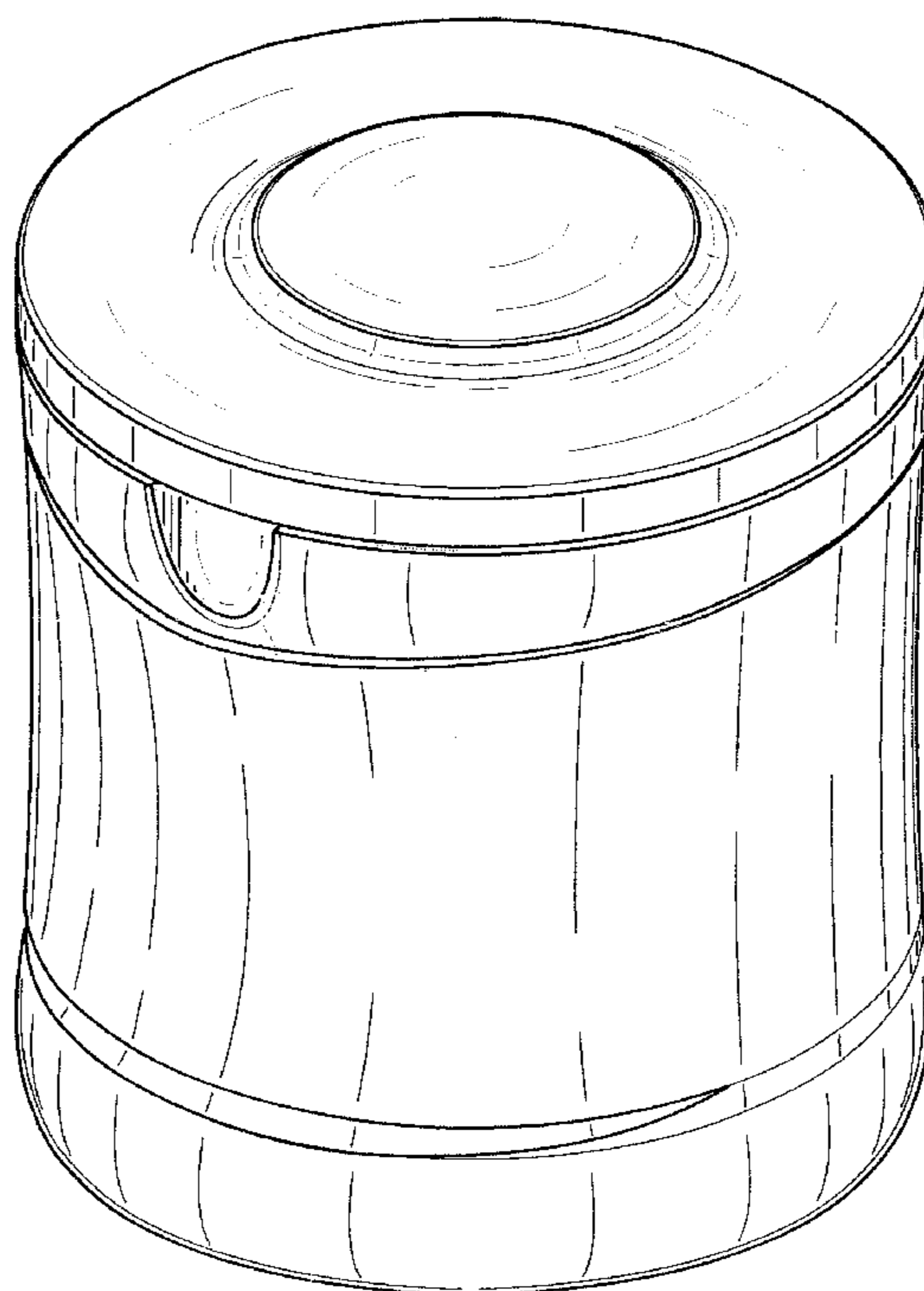
FIG. 1 is a perspective view of a container embodying our new design;

FIG. 2 is a front elevational view thereof, the rear elevational view being identical;

FIG. 3 is a right side elevational view thereof, the left side elevational view being identical; and,

FIG. 4 is a top plan view thereof.

1 Claim, 3 Drawing Sheets



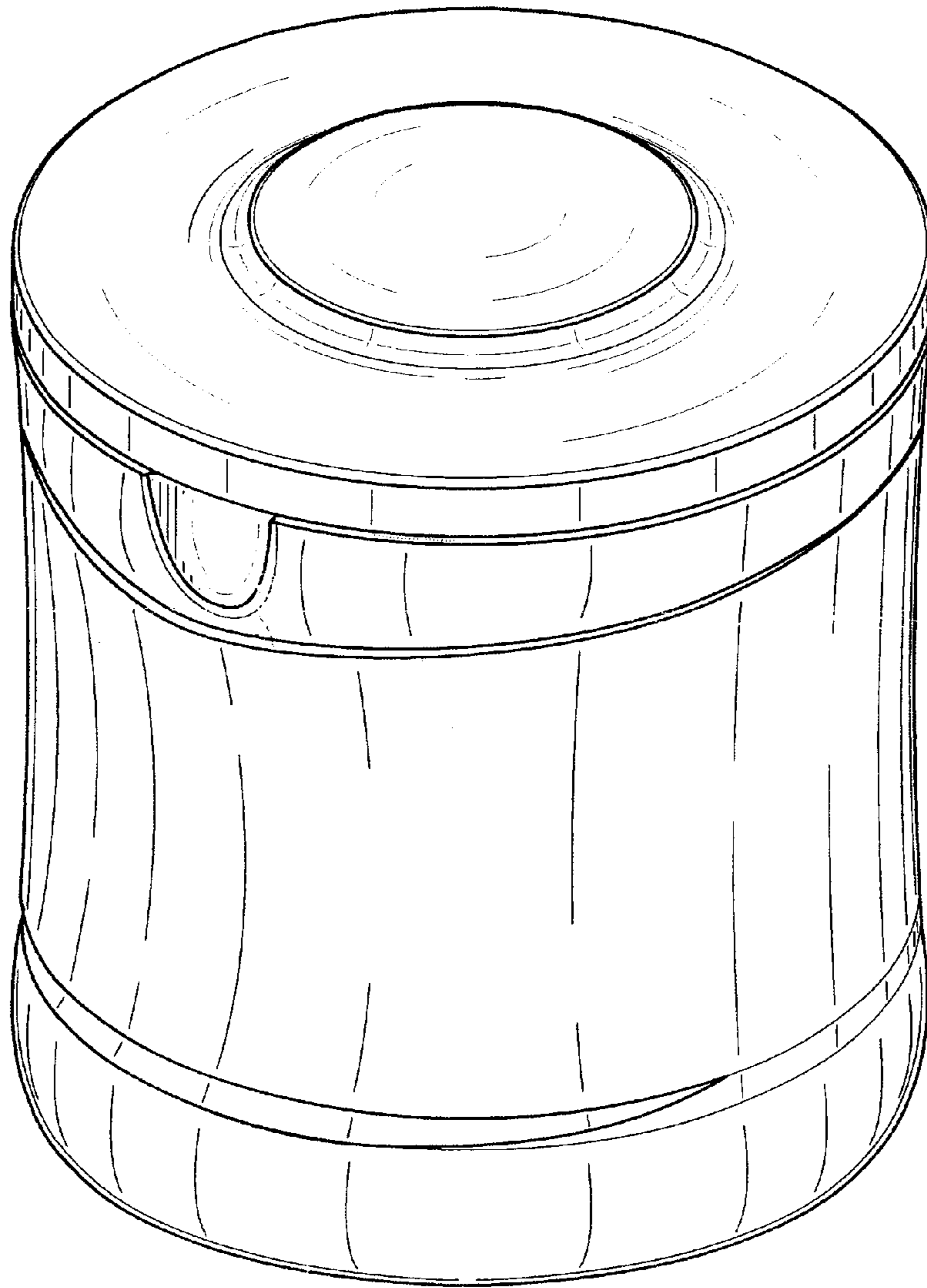


Fig. 1

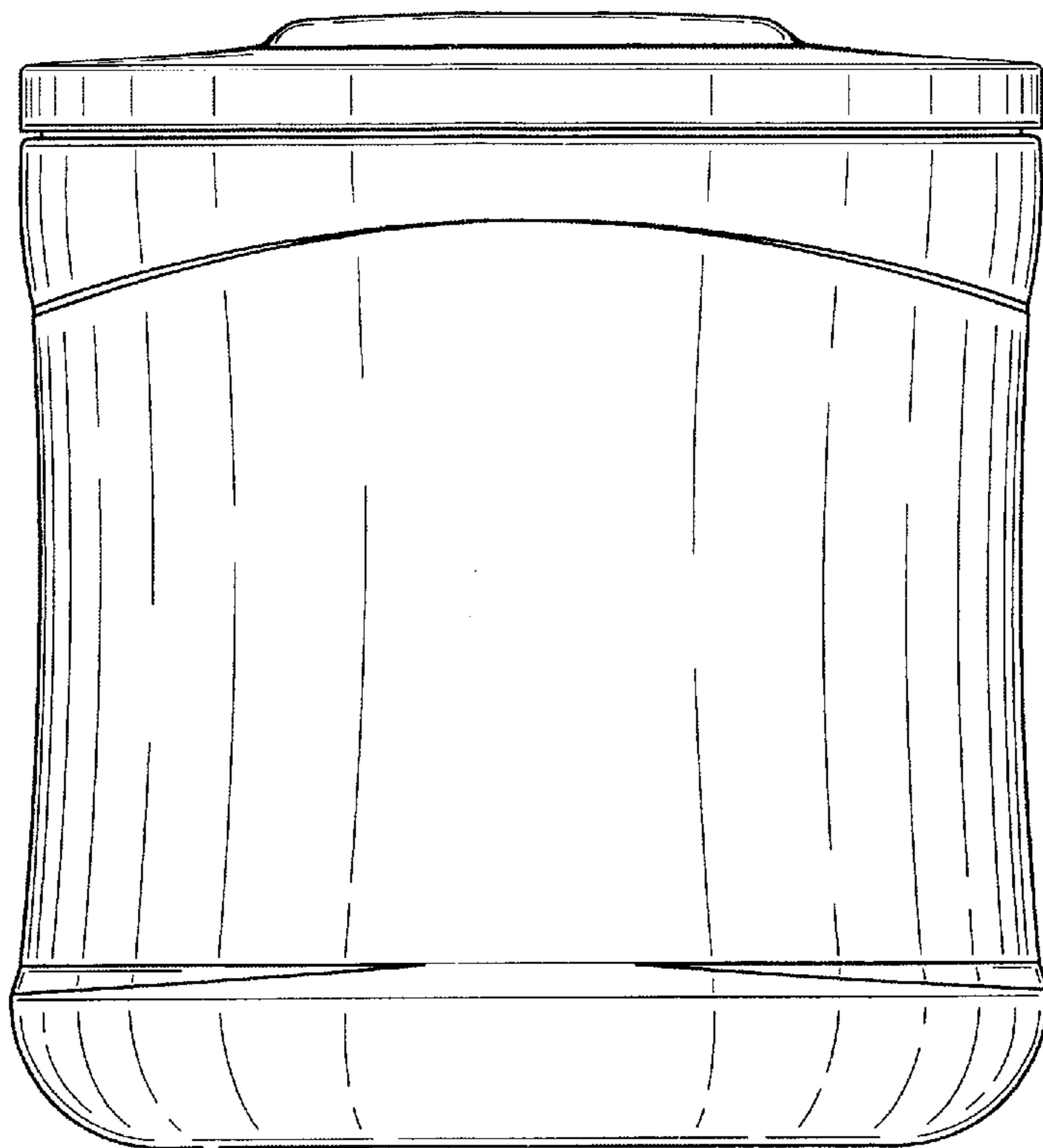


Fig. 2

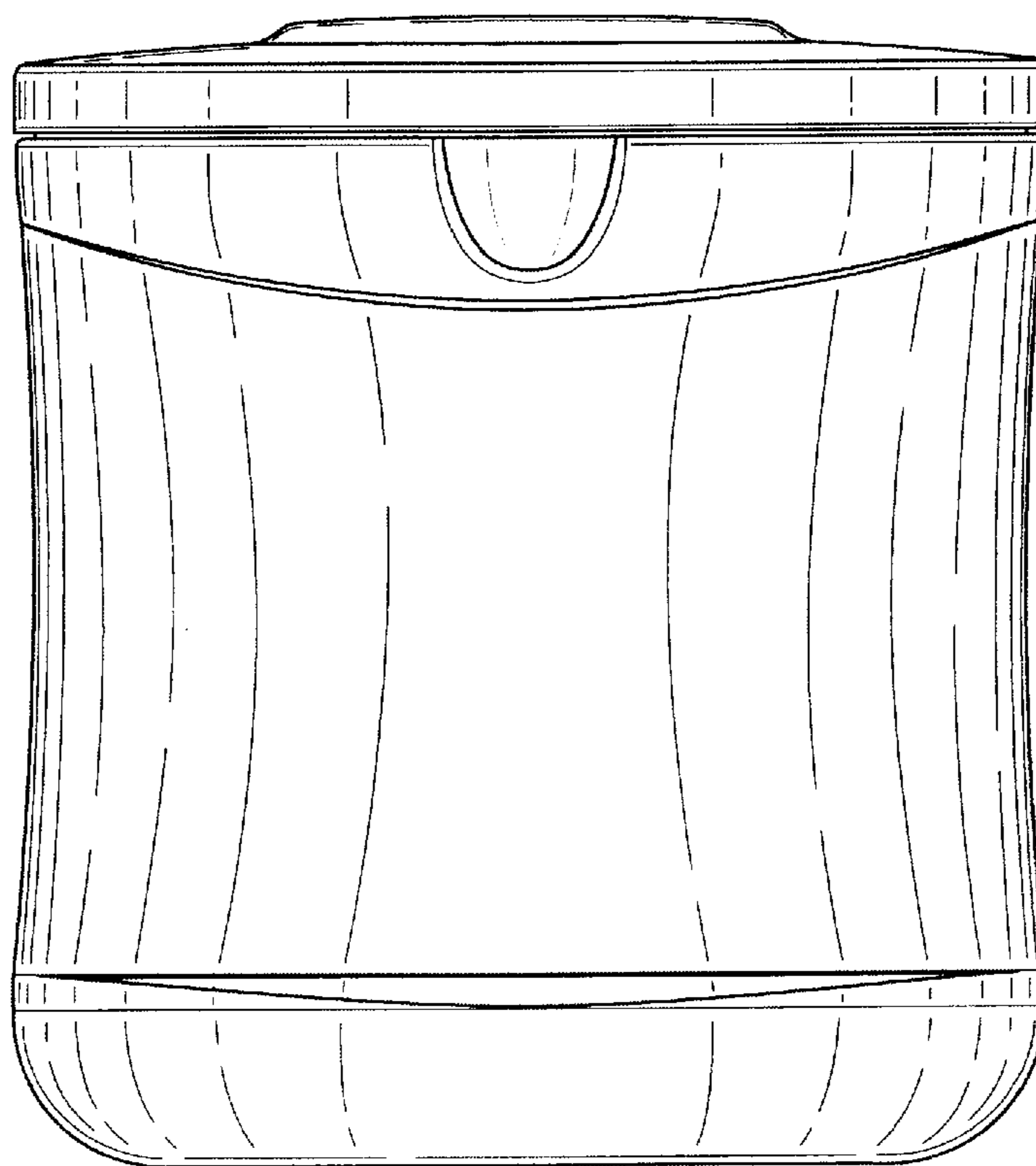


Fig. 3

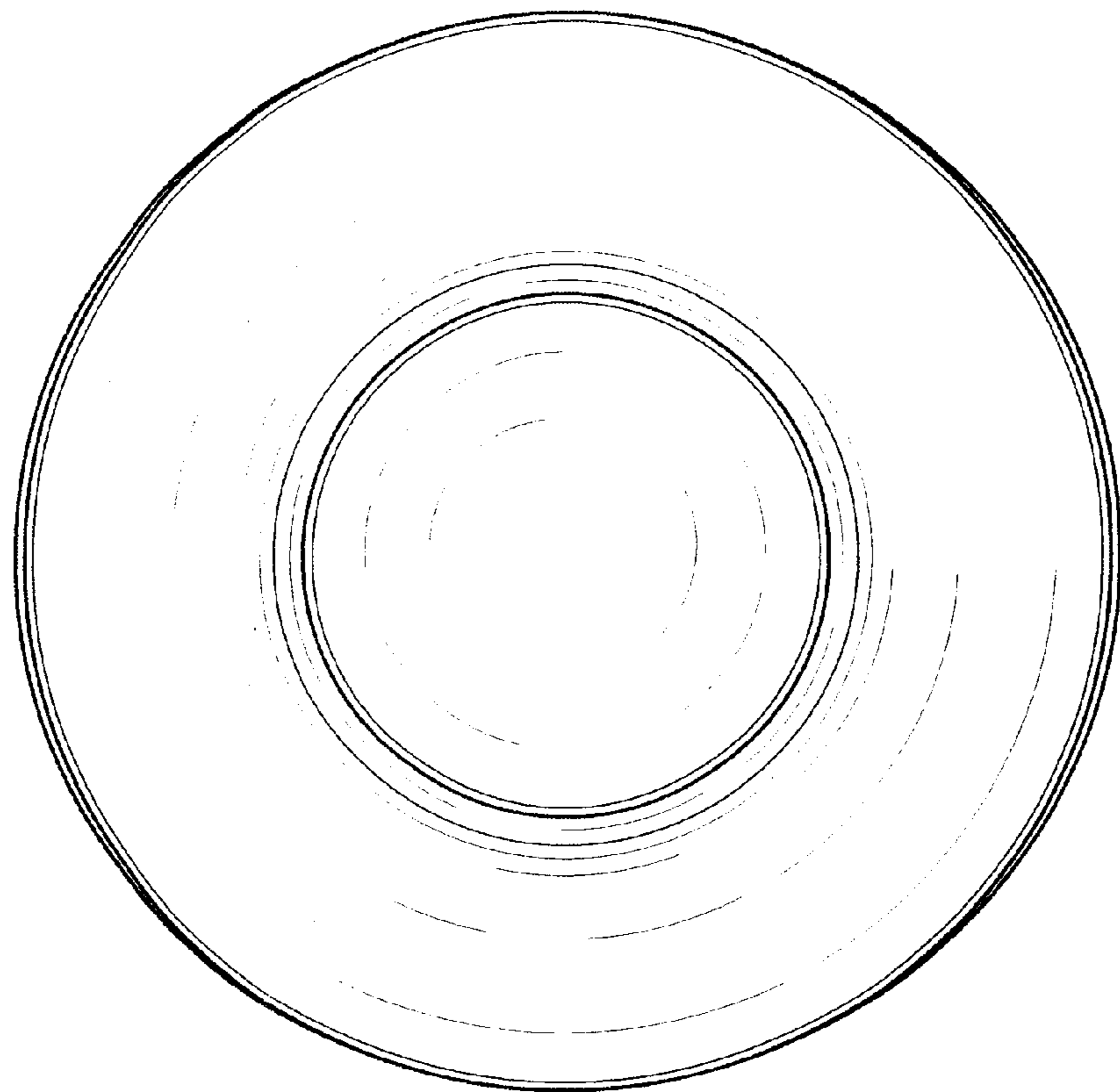


Fig. 4