



US00D539649S

(12) **United States Design Patent**
Smith et al.

(10) **Patent No.:** **US D539,649 S**
(45) **Date of Patent:** **** Apr. 3, 2007**

(54) **UPPER PANEL OF A DRINK CUP LID**

(75) Inventors: **Stephen Alan Smith**, Naperville, IL (US); **Kevin Ray Smith**, Round Lake Beach, IL (US); **Robert Joseph Schaefer**, Baltimore, MD (US); **Bradley F. Rademaker**, LaGrange, IL (US)

(73) Assignee: **Solo Cup Operating Corporation**, Highland Park, IL (US)

(**) Term: **14 Years**

(21) Appl. No.: **29/239,149**

(22) Filed: **Sep. 27, 2005**

(51) **LOC (8) Cl.** **09-07**

(52) **U.S. Cl.** **D9/454; D9/435**

(58) **Field of Classification Search** D9/454, D9/450, 449, 447, 445, 441, 438, 435, 434; D7/629, 511, 510, 396.2, 392.1, 317, 391, D7/392; D3/203.2, 202; 222/555, 451.2; 220/713, 712, 270, 253; D20/28
See application file for complete search history.

(56) **References Cited**

U.S. PATENT DOCUMENTS

1,725,393 A	8/1929	Cone	
D181,109 S	* 10/1957	Jocelyn	D12/92
D209,483 S	* 12/1967	Frank	D9/454
3,994,411 A	11/1976	Elfelt et al.	
4,138,033 A	2/1979	Payne et al.	
4,319,692 A	* 3/1982	Gundlach	220/268
4,350,260 A	9/1982	Prueher	
4,441,624 A	4/1984	Sokolowski	
4,460,103 A	7/1984	Rama et al.	
4,579,245 A	4/1986	Narushko	
4,589,569 A	5/1986	Clements	
4,615,459 A	10/1986	Clements	
4,619,372 A	10/1986	McFarland	
D287,919 S	1/1987	Clements	
4,753,365 A	6/1988	Seppala	
D299,010 S	12/1988	Wall	

4,938,379 A	* 7/1990	Kellner	220/370
4,978,024 A	12/1990	Newman et al.	
5,253,781 A	10/1993	Van Melle et al.	
5,348,181 A	9/1994	Smith et al.	
5,398,843 A	3/1995	Warden et al.	
D368,624 S	4/1996	Forrer	
5,588,561 A	12/1996	Ness	
5,624,053 A	4/1997	Freek et al.	
D379,928 S	6/1997	Freek et al.	
D394,184 S	* 5/1998	Demore	D7/391
5,798,079 A	8/1998	Freek et al.	
D402,556 S	12/1998	Frye	
5,911,331 A	6/1999	Boller	
5,947,323 A	9/1999	Freek et al.	
D416,755 S	* 11/1999	Trombly	D7/392.1
D417,845 S	12/1999	Sadlier et al.	

OTHER PUBLICATIONS

Web Page www.lollicupstore.com/hohotcupslid.html from Lollicup® Coffee & Tea Website, Product Honor® Hot Cup Sipper Lid as an internet site image, (dated Sep. 29, 2005) known to exist as early as Sep. 26, 2005.

Patton, Phil, "Top This," I.D. Magazine, pp. 39-47, May/ Jun. 2005.

Publication of TM Application No. 76/357,255—Official Gazette, p. 260, Jun. 10, 2003.

Primary Examiner—Robert M. Spear

Assistant Examiner—Susan Bennett Hattan

(74) *Attorney, Agent, or Firm*—Banner & Witcoff, Ltd.

(57) **CLAIM**

We claim the ornamental design for an upper panel of a drink cup lid, as shown and described.

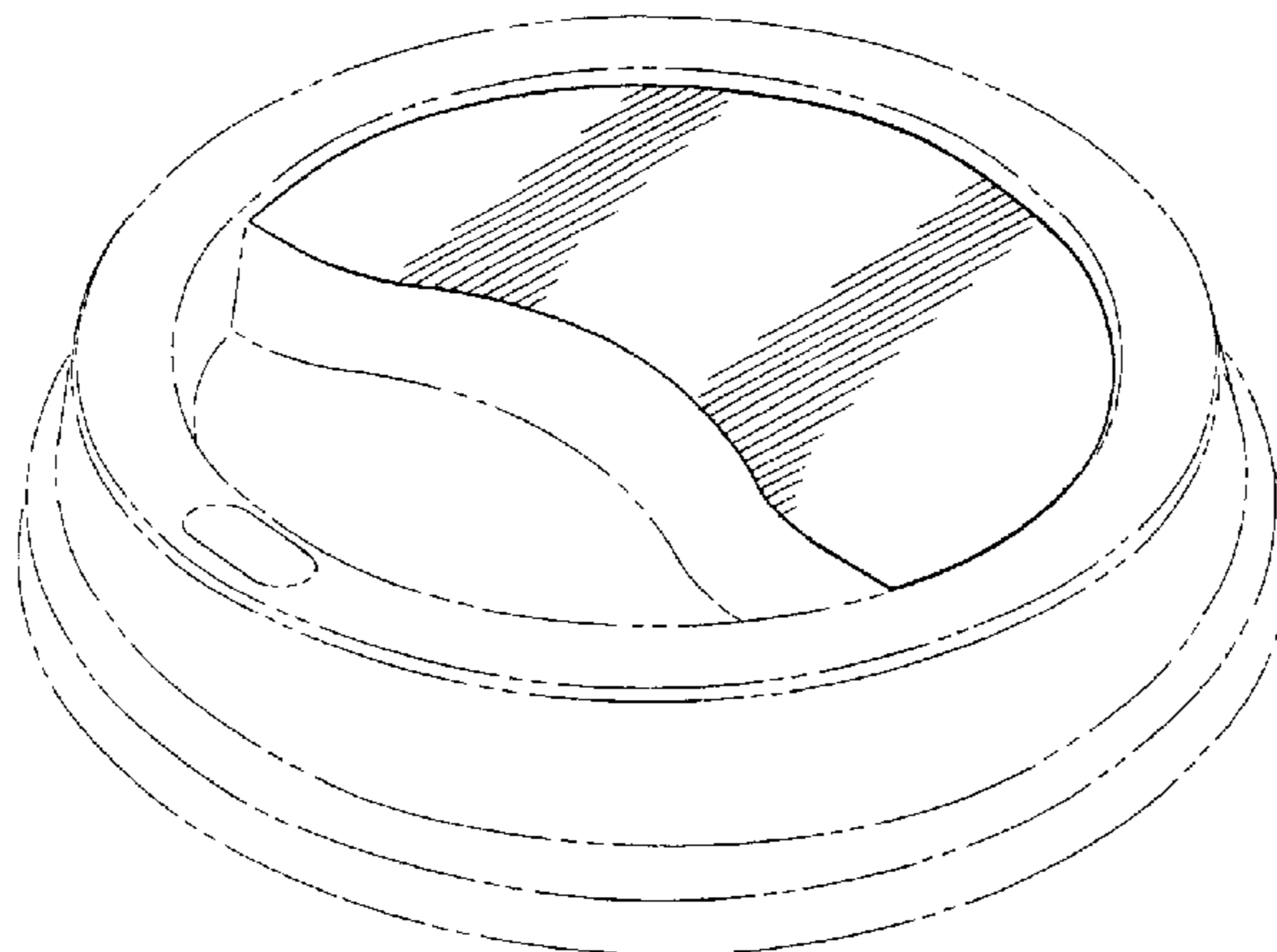
DESCRIPTION

FIG. 1 is a perspective view of an upper panel of a drink cup lid; and,

FIG. 2 is a top plan view of the of the upper panel of the drink cup lid of FIG. 1.

The broken lines are for illustrative purposes only and forms no part of the claimed design.

1 Claim, 1 Drawing Sheet



US D539,649 S

Page 2

U.S. PATENT DOCUMENTS

5,996,837	A	12/1999	Freek et al.				
D436,867	S	* 1/2001	Spreitzer et al.	D9/772		
D437,223	S	2/2001	Coy et al.				
D447,412	S	* 9/2001	Durdon	D9/438		
6,305,571	B1	10/2001	Chu				
6,374,726	B1	4/2002	Melton				
6,419,105	B1	7/2002	Bruce et al.				
6,419,112	B1	7/2002	Bruce et al.				
6,464,099	B1	10/2002	Portman et al.				
D467,500	S	12/2002	Cudmore et al.				
D468,206	S	1/2003	Weiss et al.				
6,505,753	B1	1/2003	Freek et al.				
D470,890	S	* 2/2003	Meyer	D20/28		
6,578,726	B1	6/2003	Schaefer				
D476,566	S	7/2003	Smith et al.				
D476,891	S	7/2003	Clarke et al.				
D477,223	S	7/2003	Smith et al.				
6,612,456	B1	9/2003	Hundley et al.				
D480,968	S	10/2003	Atkins et al.				
6,644,490	B2	11/2003	Clarke				
6,679,397	B2	1/2004	Smith et al.				
D500,343	S	* 12/2004	McRobbie	D20/28		
6,905,044	B1	* 6/2005	Russo et al.	220/719		
6,991,128	B1	* 1/2006	Russo et al.	220/713		
2003/0089713	A1	5/2003	Belt et al.				
2003/0141302	A1	7/2003	Ryan et al.				
2004/0195239	A1	* 10/2004	Rush et al.	220/254.3		
2005/0211713	A1	* 9/2005	Goeking et al.	220/713		

* cited by examiner

FIG. 1

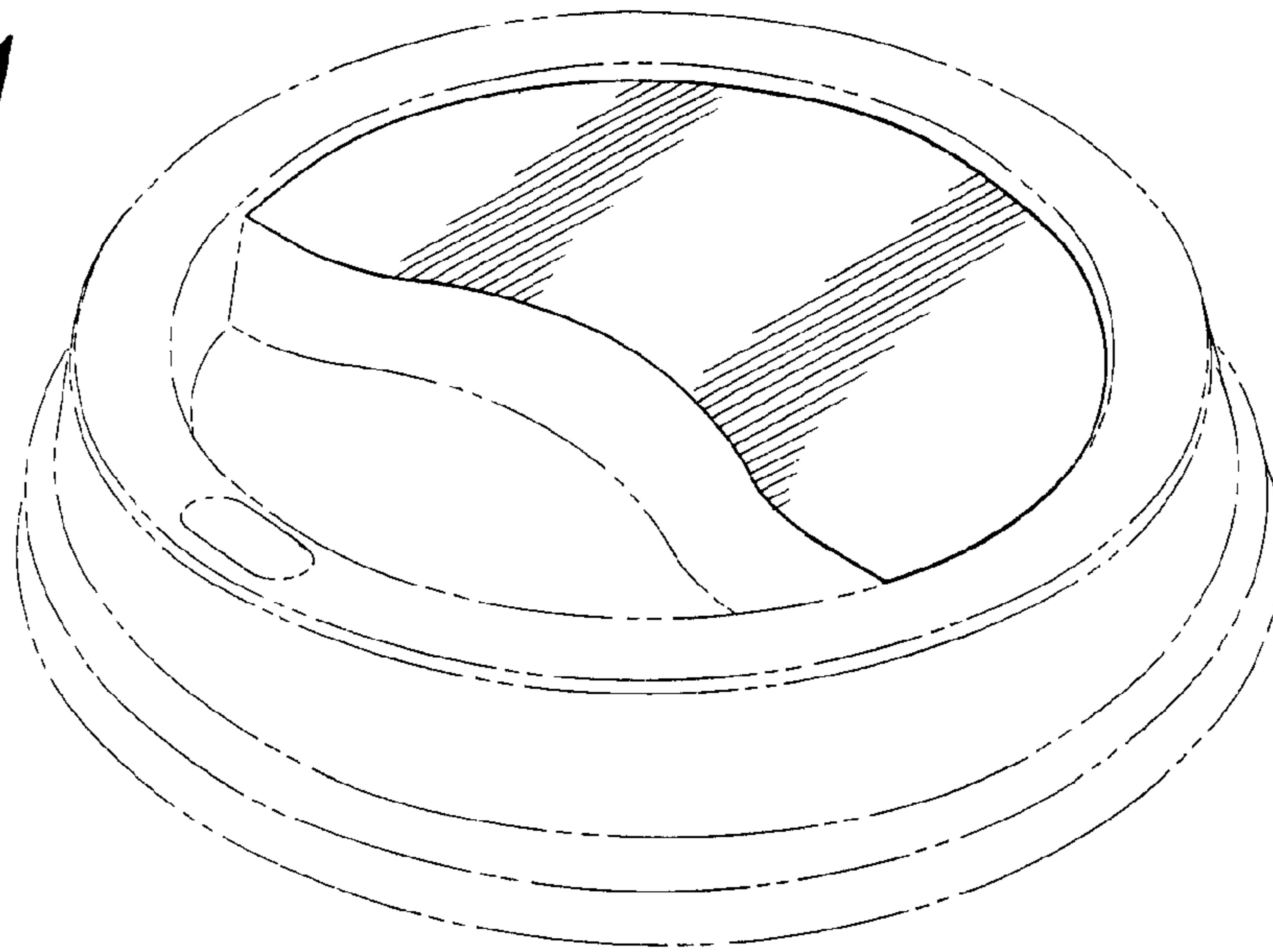


FIG. 2

