



US00D539648S

(12) **United States Design Patent**  
**Arminak**

(10) **Patent No.:** **US D539,648 S**

(45) **Date of Patent:** **\*\* Apr. 3, 2007**

(54) **PUMP ACTUATOR**

(75) Inventor: **Armin Arminak**, Pasadena, CA (US)

(73) Assignee: **Arminak & Associates, Inc.**, Duarte, CA (US)

(\*\*) Term: **14 Years**

(21) Appl. No.: **29/266,825**

(22) Filed: **Sep. 28, 2006**

**Related U.S. Application Data**

(63) Continuation of application No. 29/258,862, filed on Apr. 28, 2006.

(51) **LOC (8) Cl.** ..... **09-07**

(52) **U.S. Cl.** ..... **D9/448**

(58) **Field of Classification Search** ..... D9/686,  
D9/682, 525, 448, 447; D8/309; D6/550,  
D6/543, 542; 222/631, 566, 555, 551, 190  
See application file for complete search history.

(56) **References Cited**

**U.S. PATENT DOCUMENTS**

4,880,161	A	11/1989	Wright
5,048,750	A	9/1991	Tobler
5,255,851	A	10/1993	Tobler
5,271,530	A	12/1993	Uehira et al.
D351,794	S	10/1994	Foster et al.
D355,845	S	2/1995	Wass
5,443,569	A	8/1995	Uehira et al.
5,570,819	A	11/1996	Uehira et al.
5,813,576	A	9/1998	Iizuka et al.
6,036,112	A	3/2000	Hunsicker
6,053,364	A	4/2000	van der Heijden
6,119,899	A	9/2000	Iizuka et al.
6,299,028	B1	10/2001	Iizuka et al.
D452,653	S	1/2002	Boshuizen et al.

D452,822	S	1/2002	Boshuizen et al.
D456,260	S	4/2002	Boshuizen et al.
D458,137	S	6/2002	Bakic
D466,017	S	11/2002	Kuo
D470,043	S	* 2/2003	Crawford ..... D9/682
6,536,685	B2	3/2003	Bennett
6,612,468	B2	9/2003	Pritchett et al.
6,644,516	B1	11/2003	Foster et al.
D484,403	S	* 12/2003	Crawford ..... D9/682
D485,747	S	* 1/2004	Crawford ..... D9/682
D486,663	S	2/2004	Weaver
D488,716	S	4/2004	Dretzka
6,793,100	B2	9/2004	Iizuka et al.
D499,966	S	12/2004	Arminak
6,840,408	B1	1/2005	Foster et al.
6,868,990	B2	3/2005	Cater et al.
6,923,346	B2	8/2005	Foster et al.
D519,372	S	4/2006	Hsieh
D529,384	S	* 10/2006	van der Heijden et al. .. D9/448

\* cited by examiner

*Primary Examiner*—Robert M. Spear  
*Assistant Examiner*—Susan Bennett Hattan  
(74) *Attorney, Agent, or Firm*—Cislo & Thomas, LLP

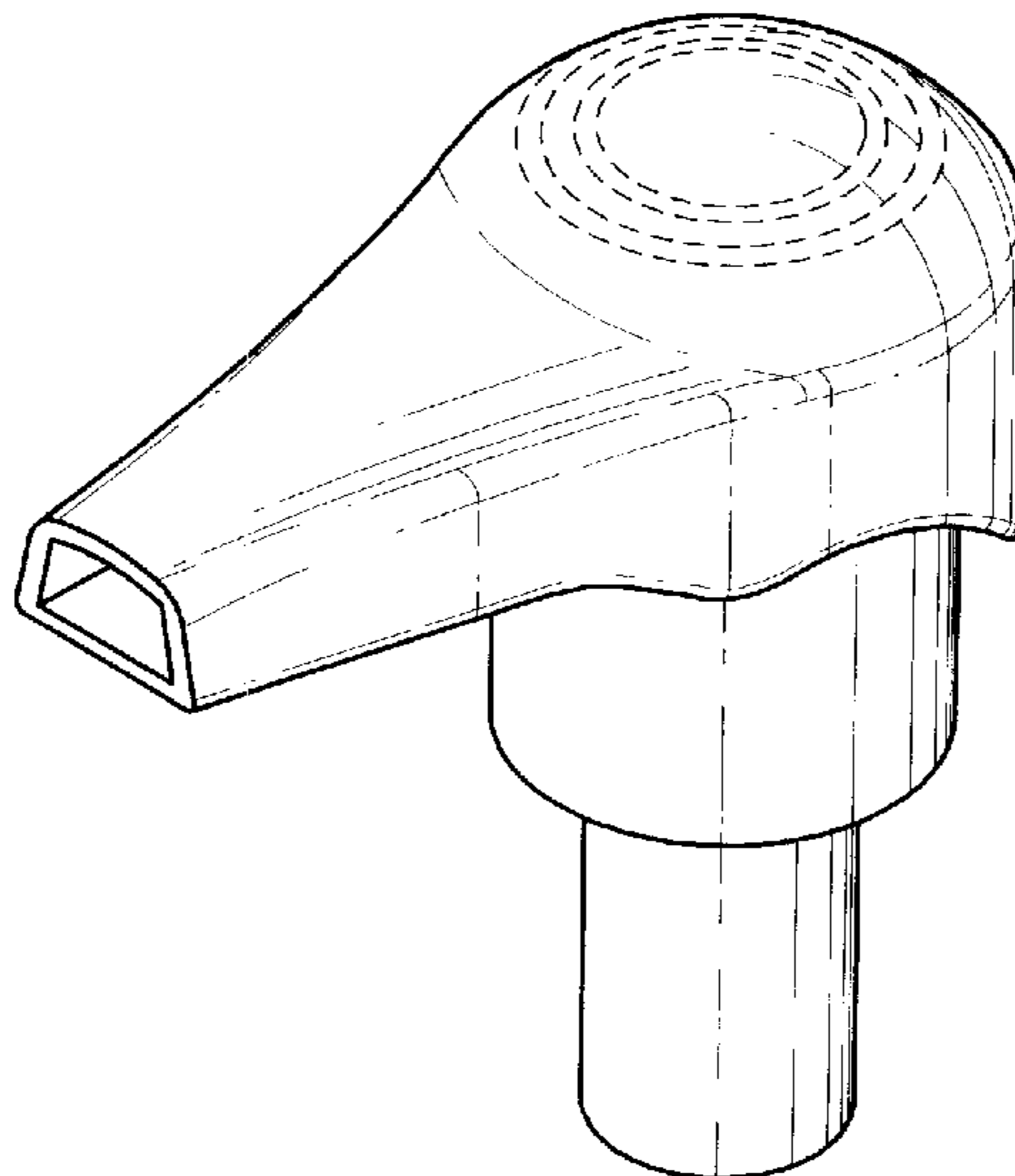
(57) **CLAIM**

The ornamental design for a pump actuator, as shown and described.

**DESCRIPTION**

FIG. 1 is a perspective view of the pump actuator; FIG. 2 is a front view of the pump actuator; FIG. 3 is a right side elevational view of the pump actuator; FIG. 4 is a rear view of the pump actuator; FIG. 5 is a top view of the pump actuator; and, FIG. 6 is a bottom view of the pump actuator. The broken lines in the drawings are for illustrative purposes only and form no part of the claimed design.

**1 Claim, 3 Drawing Sheets**



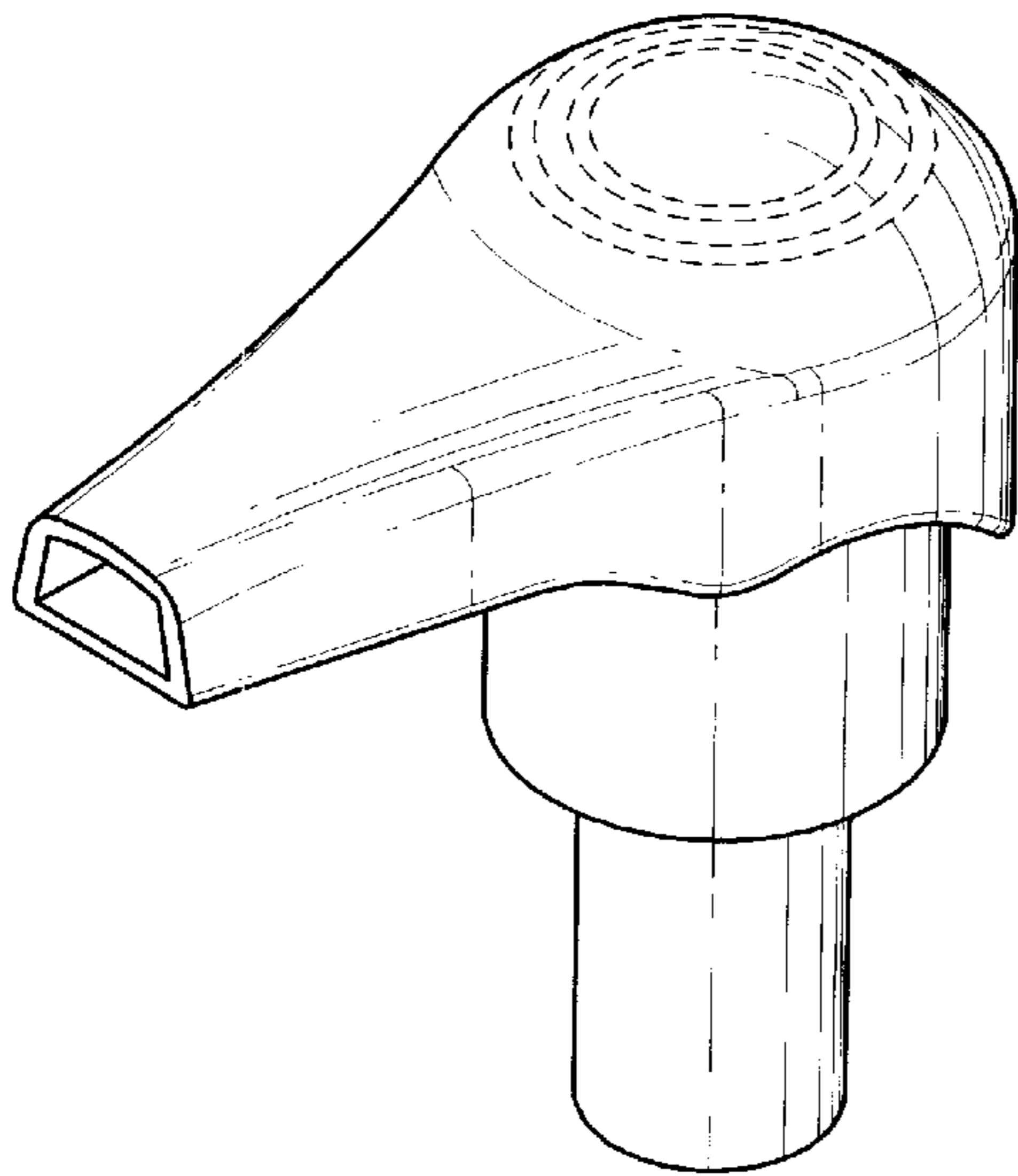


FIG. 1

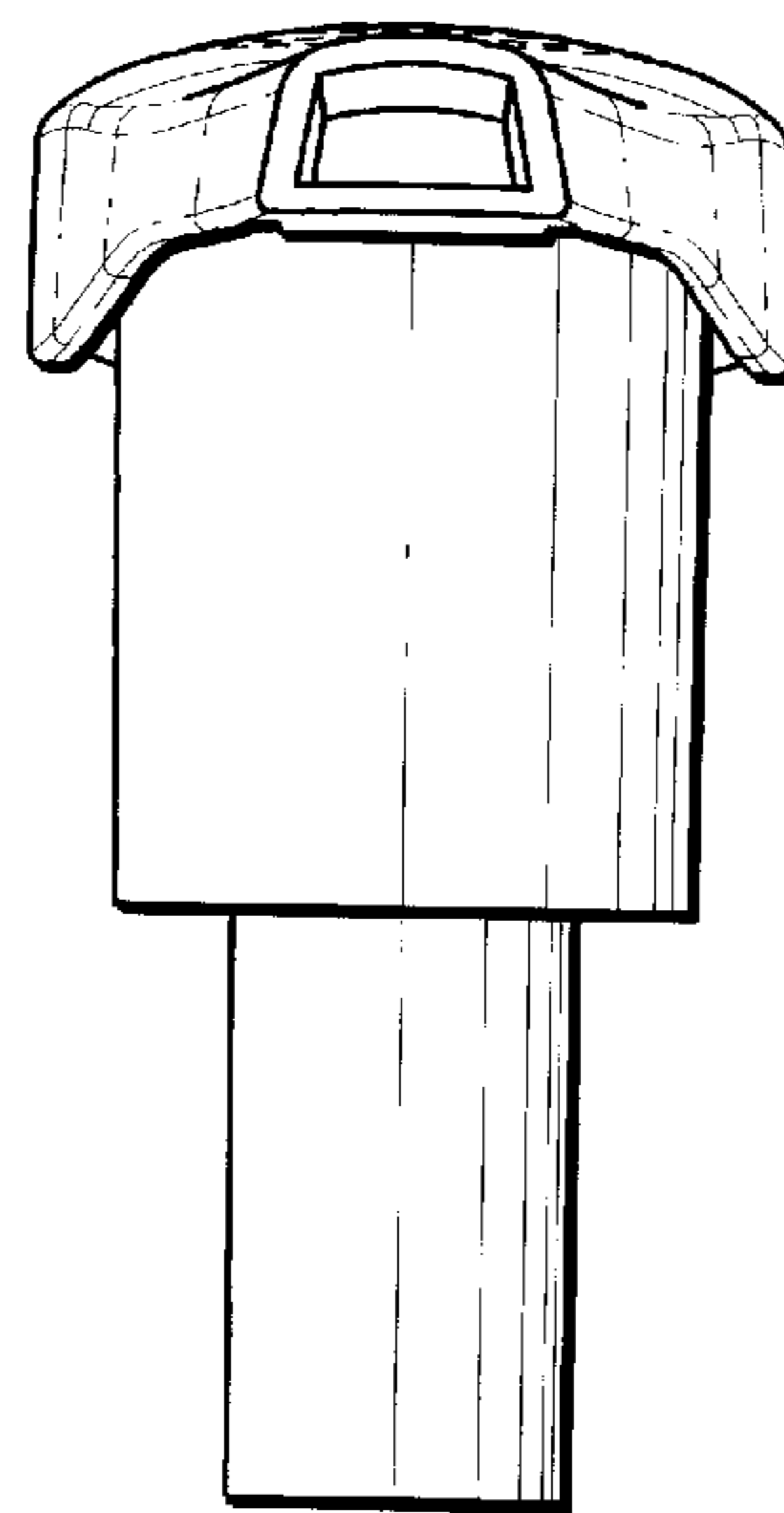


FIG. 2

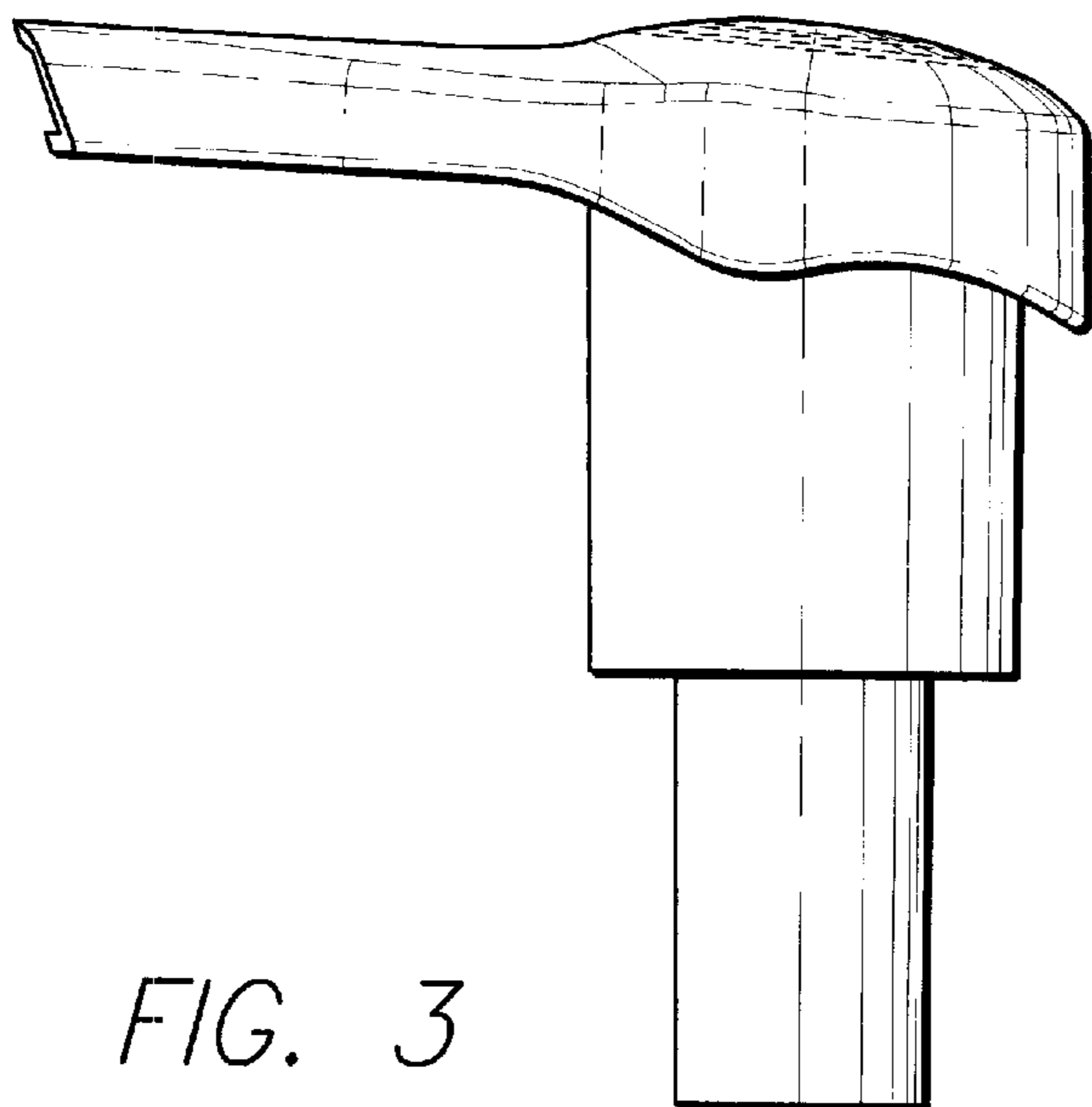


FIG. 3

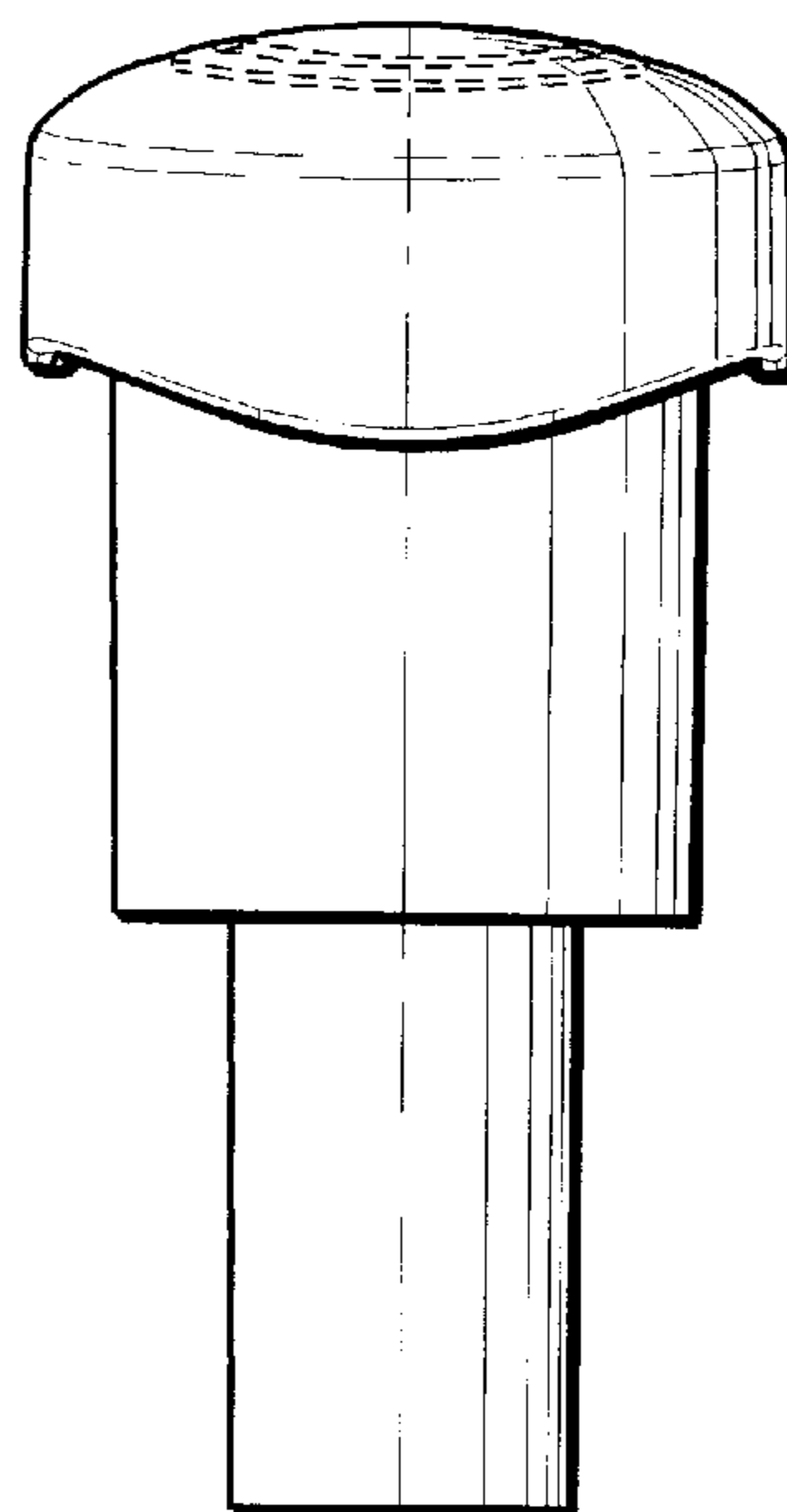


FIG. 4

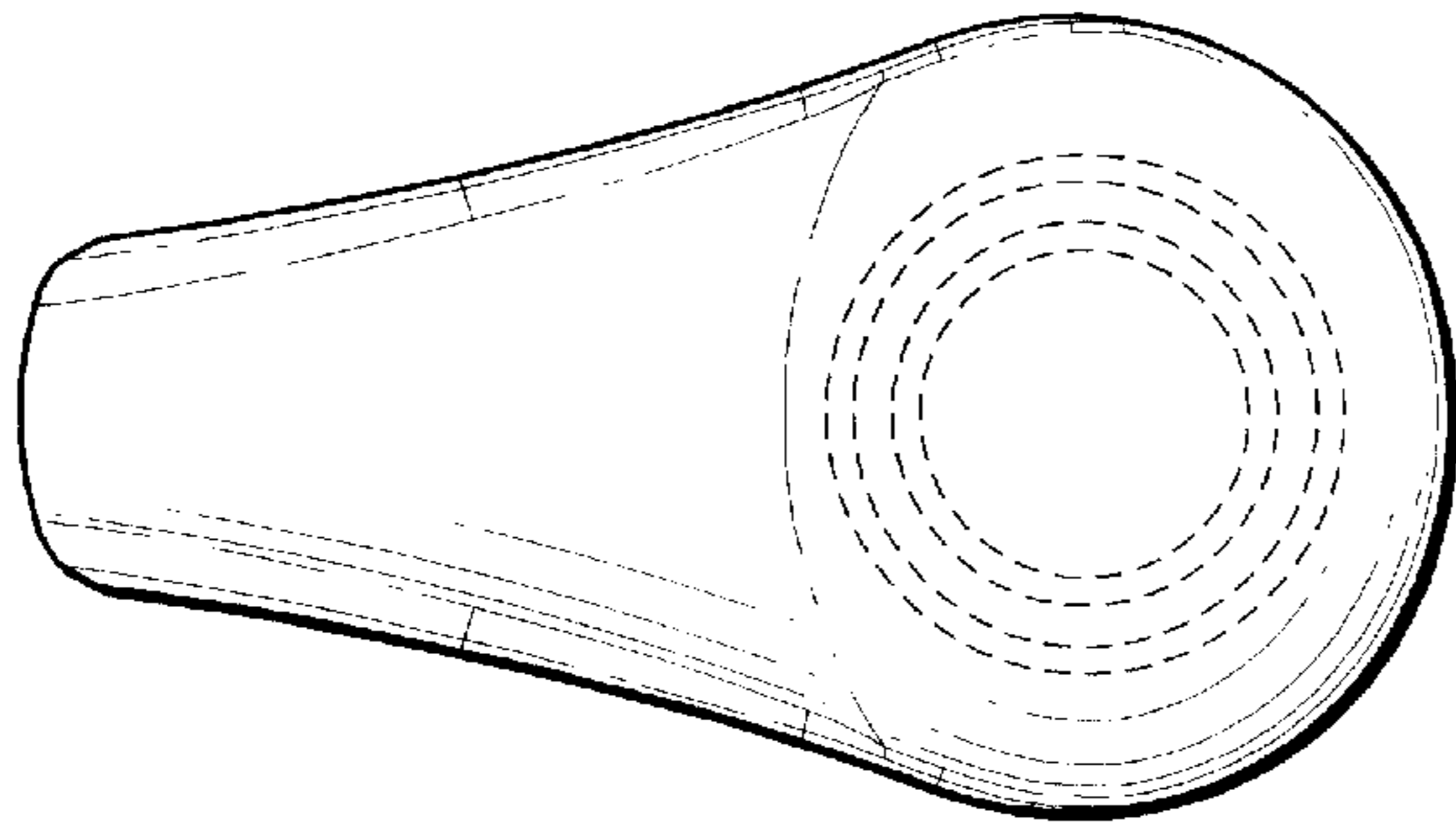


FIG. 5

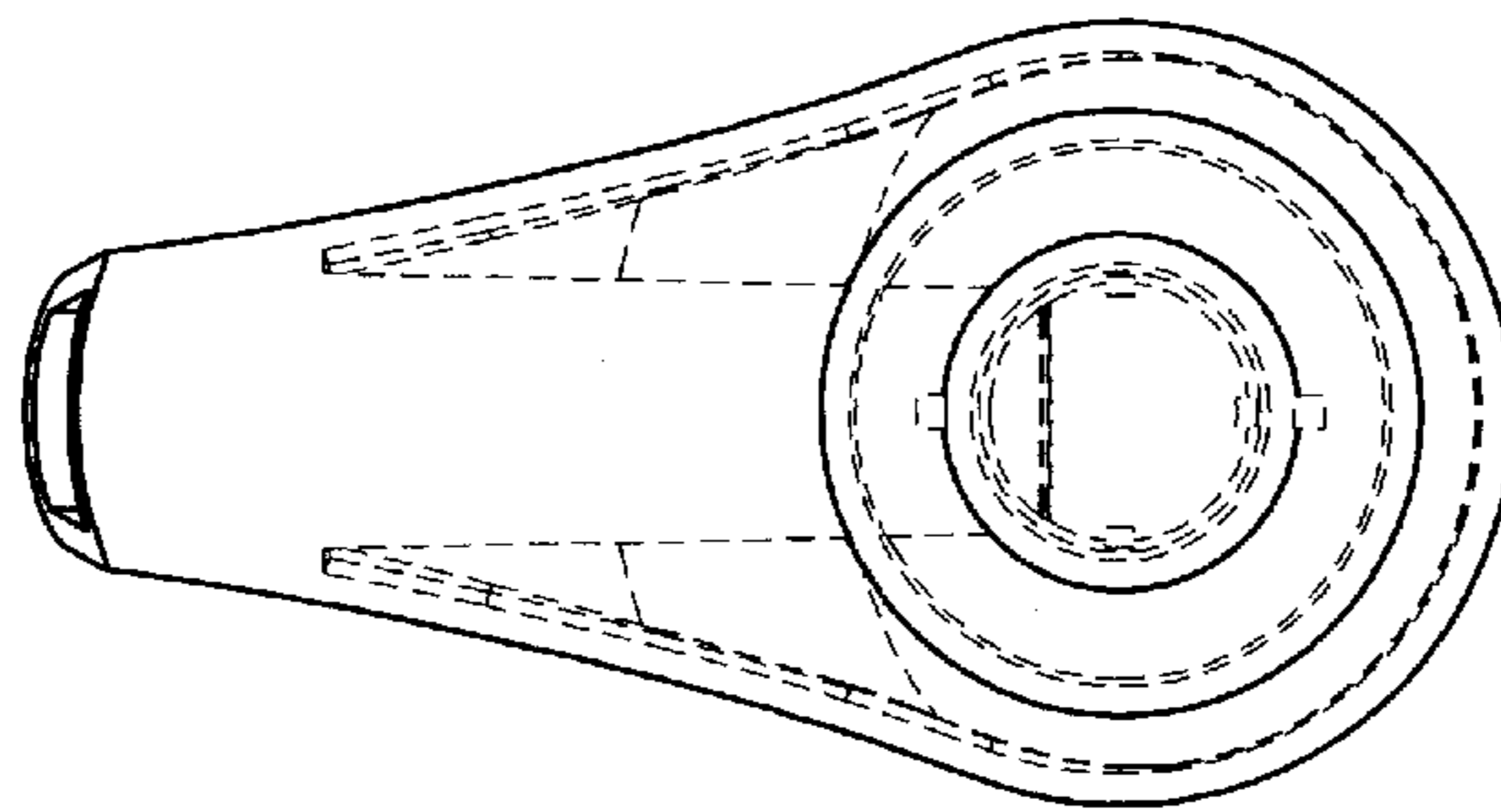


FIG. 6