



US00D539647S

(12) **United States Design Patent**
Solowiejko

(10) **Patent No.:** **US D539,647 S**

(45) **Date of Patent:** **** Apr. 3, 2007**

(54) **LID FOR A CONTAINER**

(75) Inventor: **George Solowiejko**, Rockford, IL (US)

(73) Assignee: **J.L. Clark, Inc.**, Rockford, IL (US)

(**) Term: **14 Years**

(21) Appl. No.: **29/252,896**

(22) Filed: **Jan. 30, 2006**

(51) **LOC (8) Cl.** **09-01**

(52) **U.S. Cl.** **D9/447; D9/449**

(58) **Field of Classification Search** D7/590-592,
D7/596; D9/416, 419, 425, 435, 436, 444-445,
D9/447, 449, 450, 518, 524, 572-574, 600,
D9/643, 717, 763, 770, 782, 905; 215/379-383,
215/400; 220/254.3, 890

See application file for complete search history.

(56) **References Cited**

U.S. PATENT DOCUMENTS

961,991	A	*	6/1910	Ulrich	222/562
2,006,588	A	*	7/1935	Ehret	222/531
D122,315	S	*	9/1940	Heller	D9/782
D153,270	S	*	4/1949	Erb	D9/506
D204,509	S	*	4/1966	Waterman	D9/450
3,469,732	A	*	9/1969	Foster	220/835
D272,807	S	*	2/1984	Ruhl	D9/449
4,621,744	A	*	11/1986	Foster	220/270
4,658,980	A	*	4/1987	Lindstrom	220/214
D312,190	S	*	11/1990	Ciaccio	D7/596
5,052,572	A	*	10/1991	Pherigo	220/270
5,482,172	A	*	1/1996	Braddock	215/235
D398,524	S	*	9/1998	Waterhouse	D9/737
D491,065	S		6/2004	Solowiejko		
D492,200	S		6/2004	Solowiejko et al.		

D494,469	S		8/2004	Solowiejko		
D495,256	S		8/2004	Solowiejko		
D497,106	S		10/2004	Solowiejko et al.		
7,021,482	B2		4/2006	Solowiejko		
2005/0040168	A1	*	2/2005	Solowiejko	220/254.2
2006/0000833	A1	*	1/2006	Boots et al.	220/254.3

FOREIGN PATENT DOCUMENTS

GB	1041816	*	10/1987
GB	3011696	*	7/2003

* cited by examiner

Primary Examiner—Carol Rademaker

Assistant Examiner—Anna Burmeister

(74) *Attorney, Agent, or Firm*—Leydig, Voit & Mayer, Ltd

(57) **CLAIM**

I claim the ornamental design for a lid for a container, as shown and described.

DESCRIPTION

FIG. 1 is a top view of a lid for a container;
 FIG. 2 is a right side view thereof;
 FIG. 3 is a rear view thereof;
 FIG. 4 is a left side view thereof;
 FIG. 5 is a front view thereof;
 FIG. 6 is a perspective view thereof; and,
 FIG. 7 is a perspective view with the tamper strip removed and the doors in an open position.

The broken dash-dash-dash (- - - - -) lines shown in the drawing are for environmental purposes only and form no part of the claimed design.

The broken dash-dot-dash-dot-dash (- • - • - • - • - •) lines shown in the drawings defines the boundary of the claimed design within the hinged closures.

1 Claim, 7 Drawing Sheets

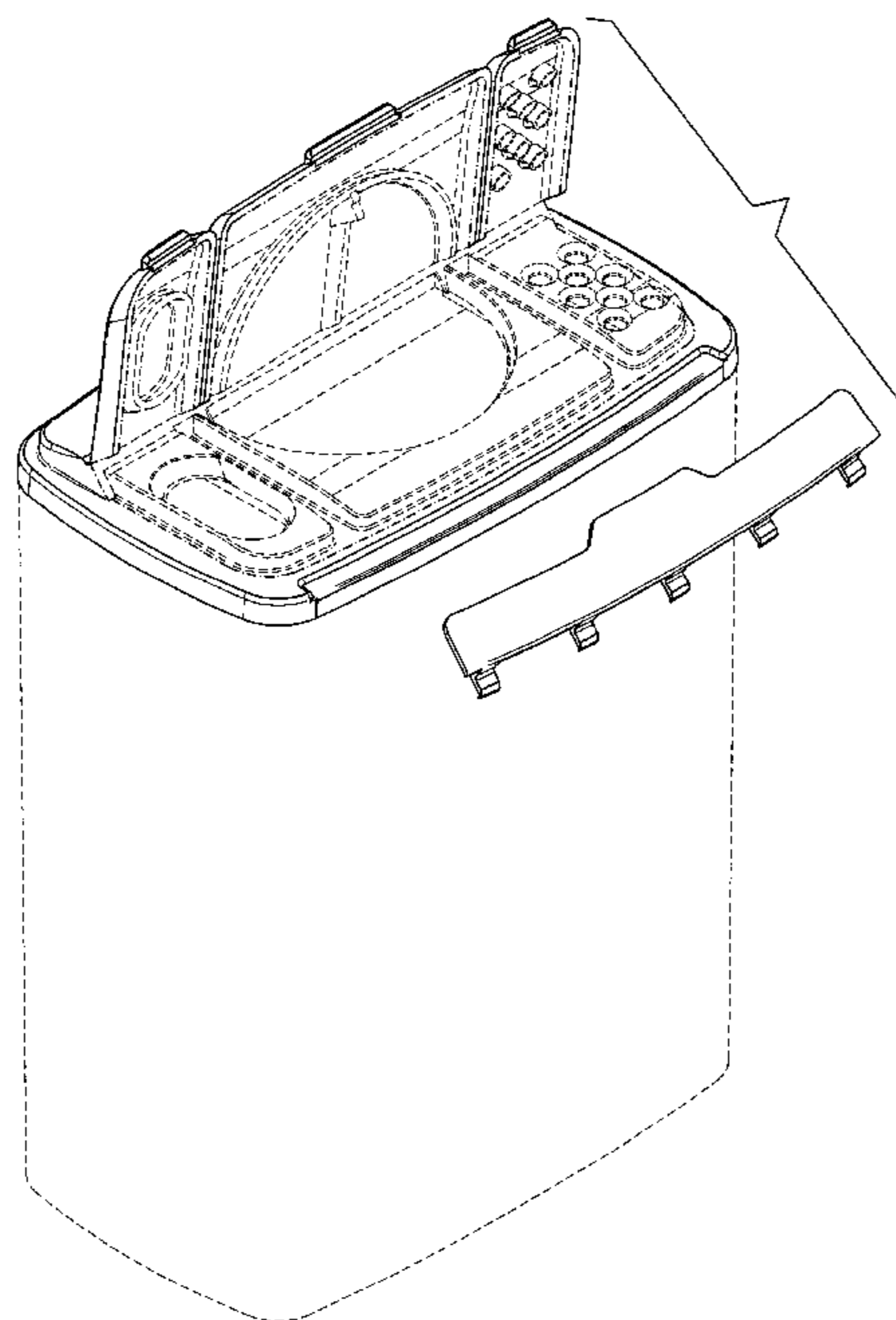


FIG. 1

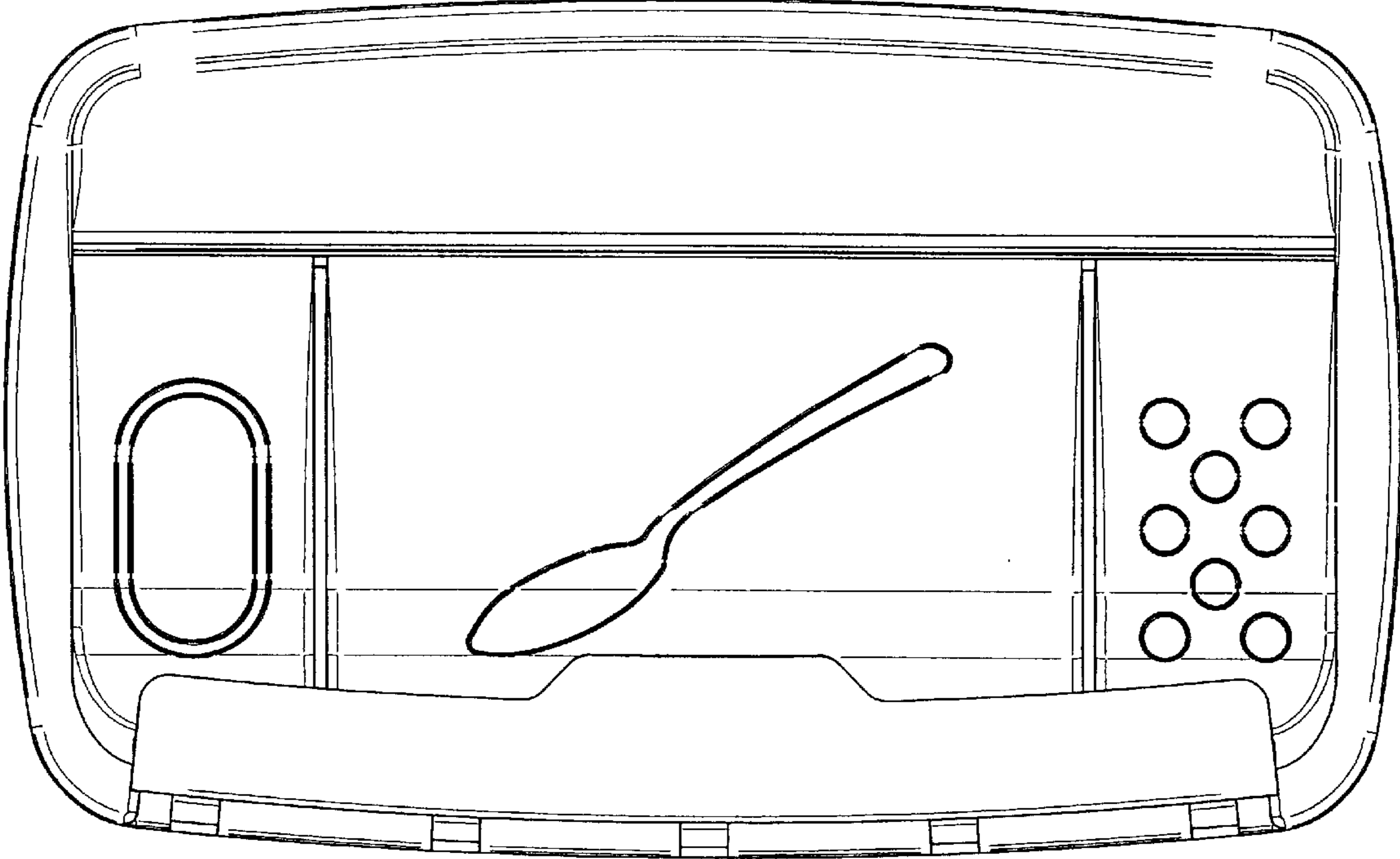


FIG. 2

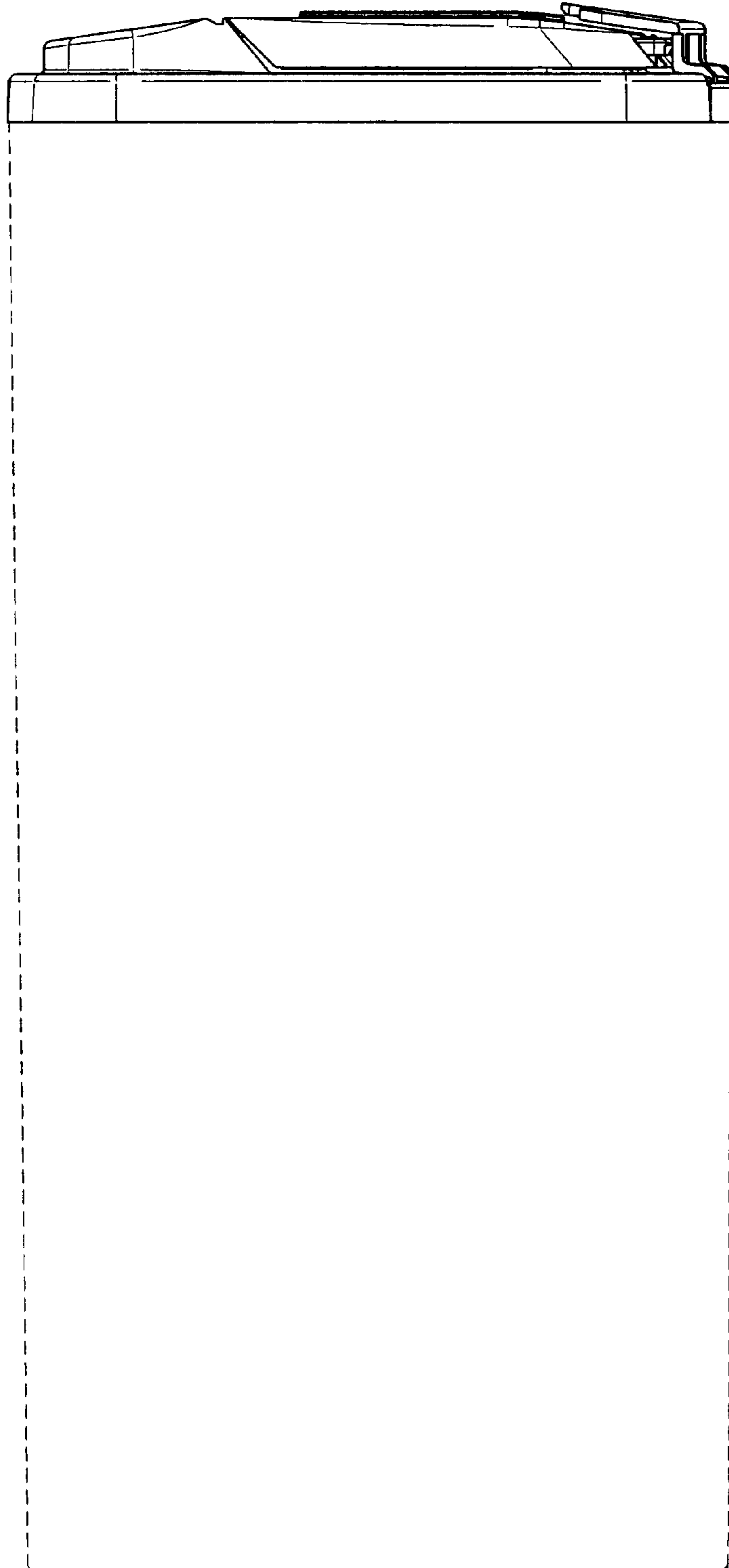


FIG. 3

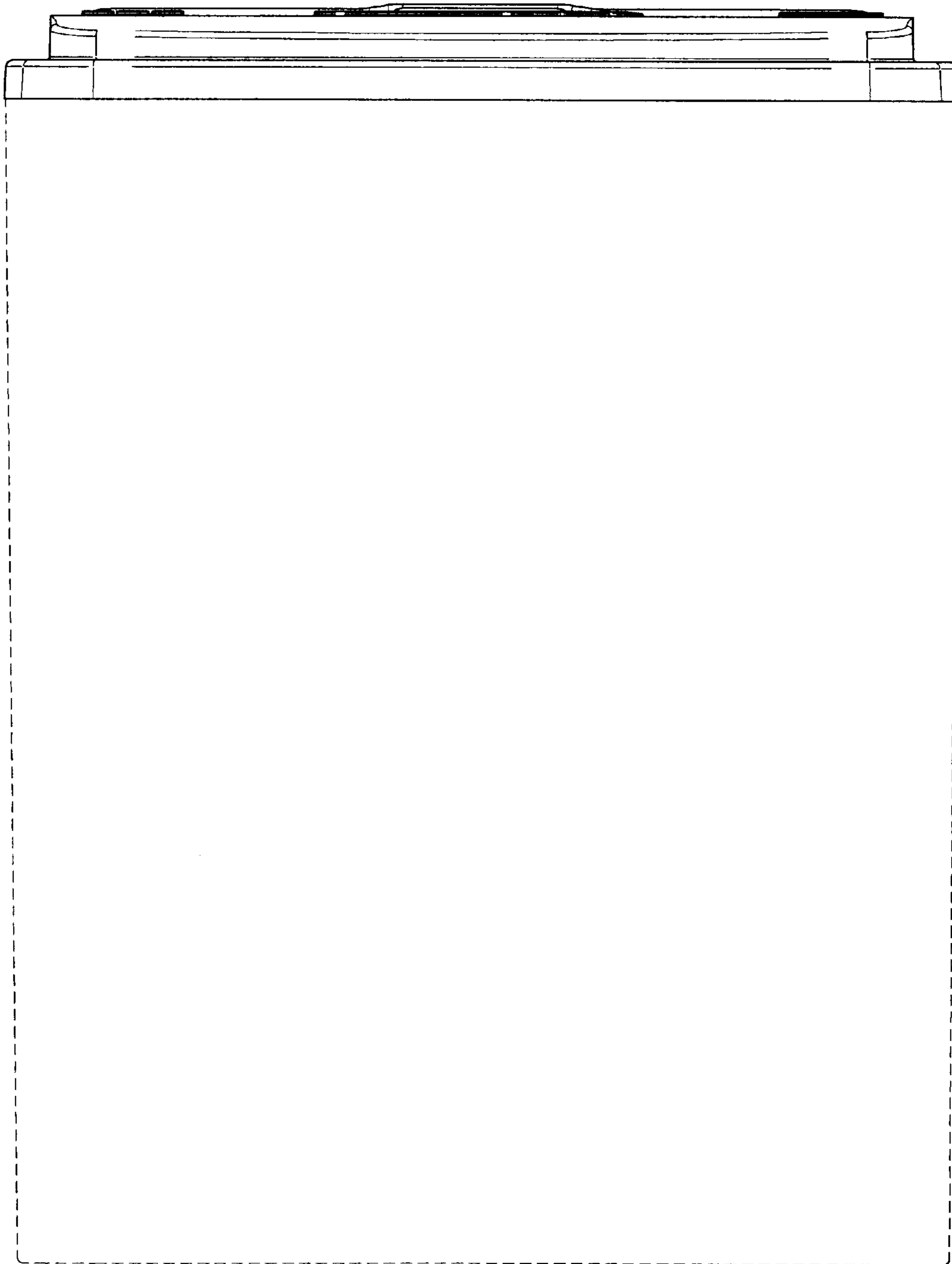


FIG. 4

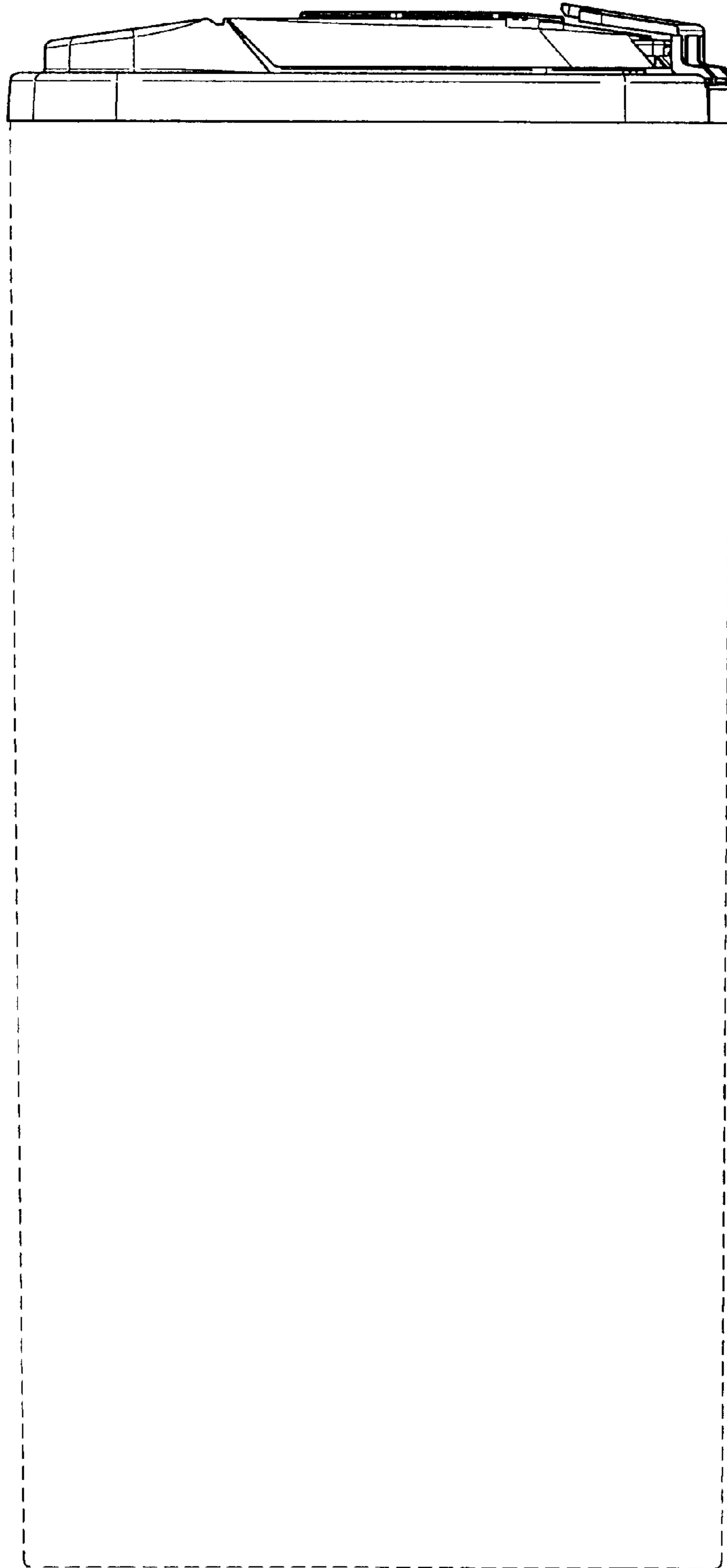


FIG. 5

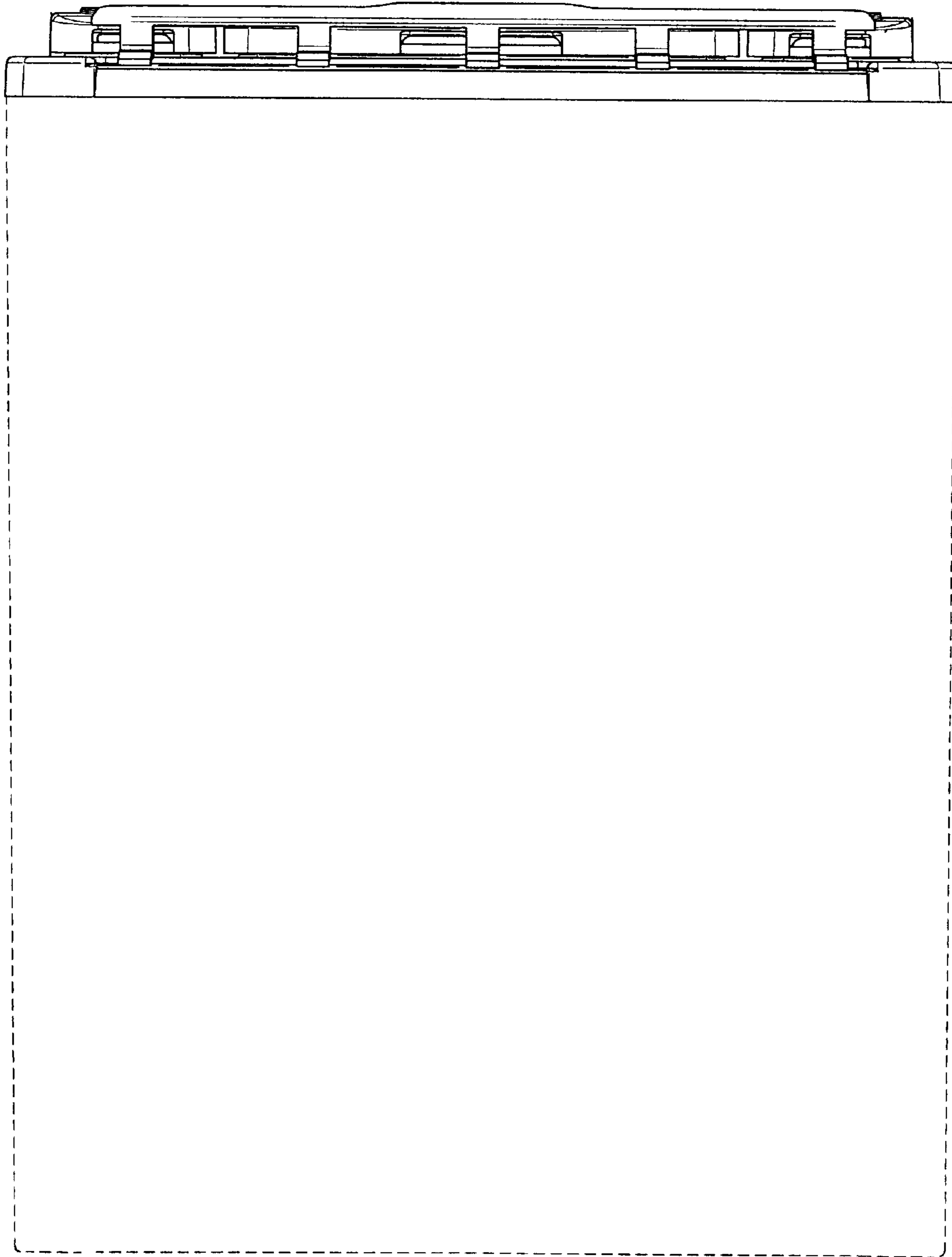


FIG. 6

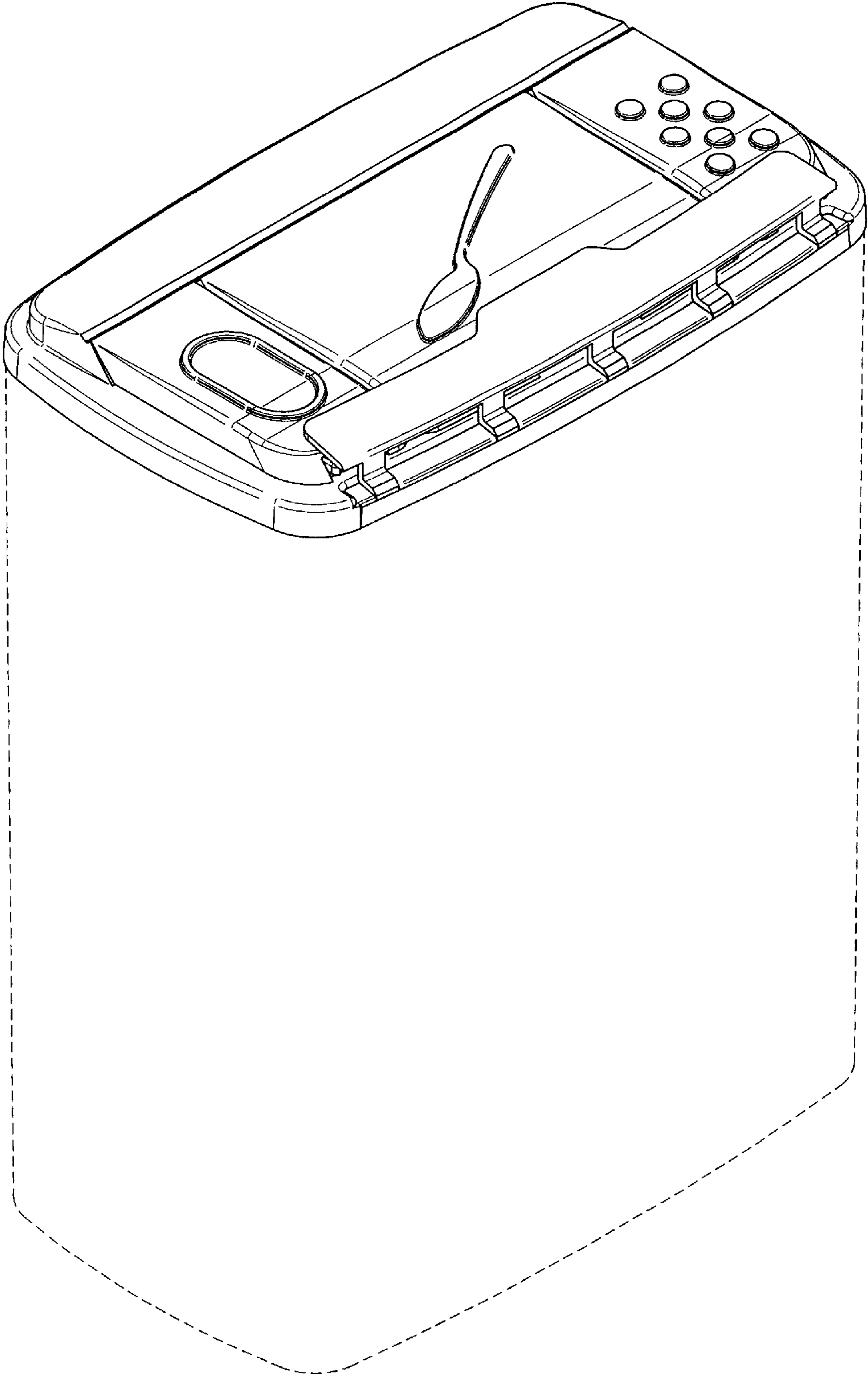


FIG. 7

