



US00D539646S

(12) **United States Design Patent** (10) **Patent No.:** **US D539,646 S**
Hollis et al. (45) **Date of Patent:** **** Apr. 3, 2007**

(54) **DISPOSABLE CUP LID**

(75) Inventors: **Robert W. Hollis**, Homer Glen, IL (US); **Weston S. Koennecke**, Oak Park, IL (US); **John R. Geer, III**, Downers Grove, IL (US)

(73) Assignee: **Prairie Packaging Inc.**, Bedford Park, IL (US)

(**) Term: **14 Years**

(21) Appl. No.: **29/248,886**

(22) Filed: **Sep. 8, 2006**

Related U.S. Application Data

(62) Division of application No. 29/230,074, filed on May 16, 2005.

(51) **LOC (8) Cl.** **09-07**

(52) **U.S. Cl.** **D9/447; D9/435**

(58) **Field of Classification Search** D9/454, D9/450, 449, 447, 445, 441, 438, 435, 434; D7/629, 511, 510, 396.2, 392.1, 317, 391, D7/392; D3/203.2, 202; 222/555, 451.2; 220/713, 712, 270, 253, 454.1-9
See application file for complete search history.

(56) **References Cited**

U.S. PATENT DOCUMENTS

2,184,215	A	12/1939	Geyer	
2,913,140	A	* 11/1959	Vuilleminot	220/210
3,302,858	A	2/1967	Miller	
3,596,792	A	8/1971	Wilcox	
3,777,968	A	12/1973	Law	
3,860,162	A	1/1975	Schutz	
3,952,910	A	4/1976	Wheeler	
RE28,797	E	5/1976	Brewer	
3,977,559	A	8/1976	Lombardi	
3,977,562	A	8/1976	Wedzik	
3,994,411	A	11/1976	Elfelt et al.	
4,056,210	A	11/1977	Boyle	
4,090,660	A	5/1978	Schram et al.	
4,106,660	A	8/1978	Boyle	

(Continued)

Primary Examiner—Robert M. Spear
Assistant Examiner—Susan Bennett Hattan

(74) *Attorney, Agent, or Firm*—Bell Boyd & Lloyd LLC

(57) **CLAIM**

The ornamental design for a disposable cup lid, as shown and described.

DESCRIPTION

This application relates to the following co-pending commonly owned patent applications: “Disposable Cup Lid,” U.S. Appl. No. 29/248,892, “Disposable Cup Lid,” U.S. Appl. No. 29/248,889, “Disposable Cup Lid,” U.S. Appl. No. 29/248,885, “Disposable Cup Lid,” 29/248,882, “Disposable Cup Lid,” U.S. Appl. No. 29/248,883, “Disposable Cup Lid,” U.S. Appl. No. 29/248,888, “Disposable Cup Lid,” U.S. Appl. No. 29/248,891, “Disposable Cup Lid,” U.S. Appl. No. 29/248,898, and “Disposable Cup Lid,” U.S. Appl. No. 29/248,896.

FIG. 1 is a rear perspective view of a disposable cup lid of our new design, that portion of the cup lid shown in phantom is not part of the claimed design and is provided for environmental purposes only.

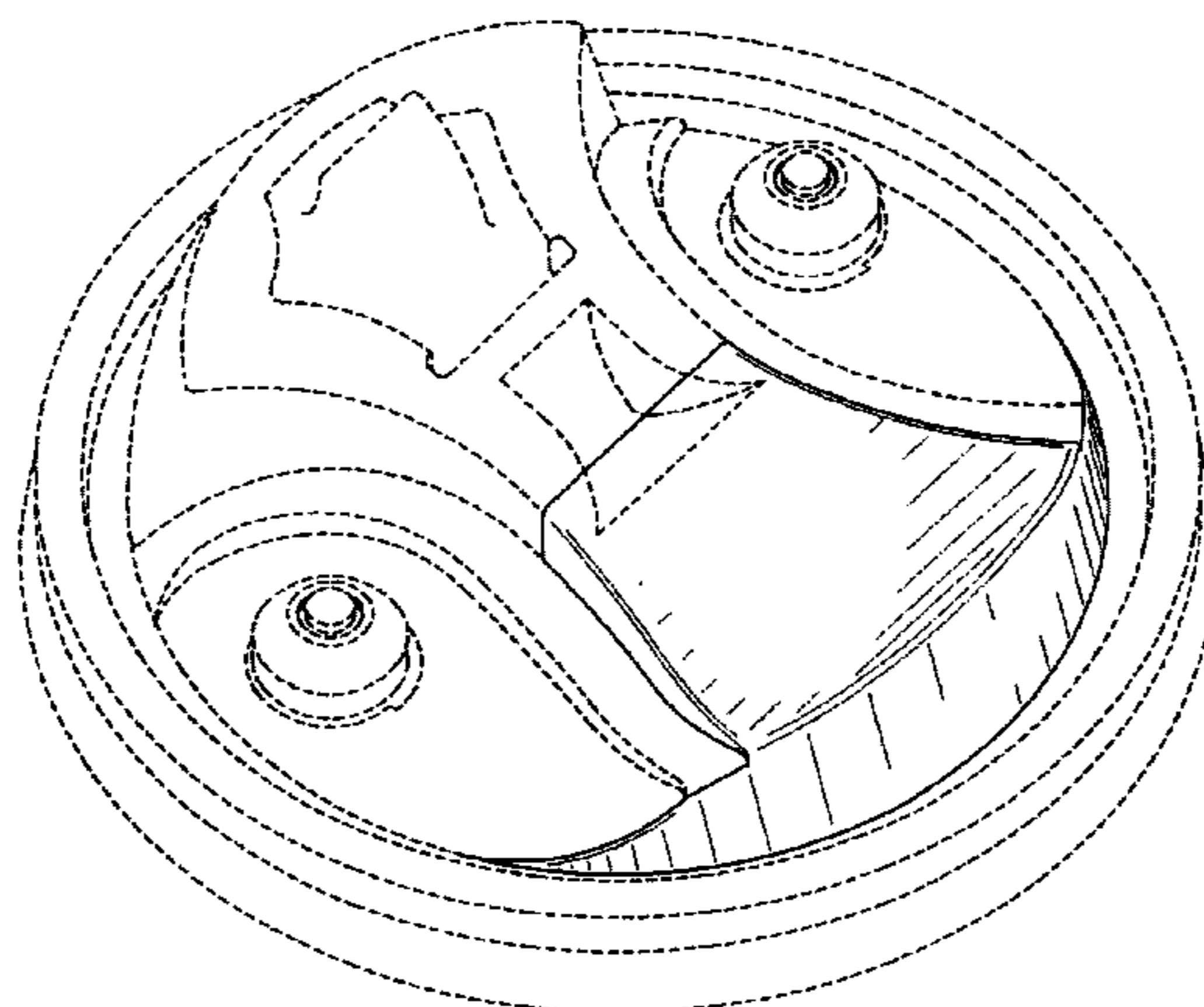
FIG. 2 is a top plan view of the disposable cup lid of our new design illustrated in FIG. 1, that portion of the cup lid shown in phantom is not part of the claimed design and is provided for environmental purposes only.

FIG. 3 is a bottom plan view of the disposable cup lid of our new design illustrated in FIG. 1, that portion of the cup lid shown in phantom is not part of the claimed design and is provided for environmental purposes only.

FIG. 4 is a rear side view of the disposable cup lid of our new design illustrated in FIG. 1, that portion of the cup lid shown in phantom is not part of the claimed design and is provided for environmental purposes only; and,

FIG. 5 is a side view of the disposable cup lid of our new design illustrated in FIG. 1, that portion of the cup lid shown in phantom is not part of the claimed design and is provided for environmental purposes only.

1 Claim, 3 Drawing Sheets



US D539,646 S

U.S. PATENT DOCUMENTS					
			5,624,053 A	4/1997	Freek et al.
			5,699,927 A	12/1997	Lane et al.
4,113,135 A	9/1978	Yamazki	5,706,972 A *	1/1998	Sousa 220/714
4,138,033 A	2/1979	Payne et al.	D390,465 S	2/1998	Frye
4,164,303 A	8/1979	Waterburg	5,722,558 A	3/1998	Thompson
4,184,604 A	1/1980	Amberg et al.	D394,184 S	5/1998	Demore
4,186,842 A	2/1980	Albert	5,798,079 A	8/1998	Freek et al.
4,187,954 A	2/1980	Striggow	5,820,016 A	10/1998	Stropkay
4,190,174 A	2/1980	Haimowitz	5,839,601 A	11/1998	Van Melle
4,202,459 A	5/1980	DeParales et al.	D402,556 S	12/1998	Frye
4,210,272 A	7/1980	Sequin	D405,011 S	2/1999	DeCoster et al.
4,243,156 A	1/1981	Lobbestael	5,894,950 A	4/1999	Kick
D259,403 S	6/1981	Frazier, Jr.	5,894,952 A	4/1999	Mendenhall et al.
4,285,442 A	8/1981	Wedzik	5,911,331 A	6/1999	Boller
4,319,691 A	3/1982	Hament	5,947,323 A	9/1999	Freek et al.
4,319,692 A	3/1982	Gundlach	D416,170 S	11/1999	Stucke, Jr. et al.
4,322,015 A	3/1982	Bailey	5,979,647 A	11/1999	Han
4,345,695 A	8/1982	Galloway et al.	5,996,837 A	12/1999	Freek et al.
D267,633 S	1/1983	Christian	D418,363 S	1/2000	Barnes et al.
4,377,244 A	3/1983	Rossetti	6,076,450 A	6/2000	DiGiorgio, Jr.
4,412,629 A	11/1983	Dart et al.	6,079,588 A	6/2000	Khafizov
D271,857 S	12/1983	Callahan	6,089,397 A	7/2000	Van Melle
4,421,244 A	12/1983	Van Melle	6,176,390 B1	1/2001	Kemp
4,438,865 A	3/1984	Scattaregia	6,209,748 B1	4/2001	Dunbar
4,441,624 A	4/1984	Sokolowski	6,220,470 B1	4/2001	McHenry et al.
D274,502 S	7/1984	Little	6,260,727 B1	7/2001	Durdon
4,460,103 A	7/1984	Rama et al.	D447,412 S	9/2001	Durdon
RE31,650 E	8/1984	Serritella	6,398,083 B2	6/2002	Nybakke
D274,983 S	8/1984	Dart et al.	D461,361 S	8/2002	Orr et al.
4,473,167 A	9/1984	Bailey	6,505,753 B1	1/2003	Freek et al.
4,489,848 A	12/1984	Braude	D470,009 S	2/2003	Turchi et al.
4,502,608 A	3/1985	Mills	6,533,139 B2	3/2003	Lukacevic
4,518,096 A	5/1985	Winstead	6,571,973 B1	6/2003	Tripsianes
4,566,605 A	1/1986	Rogers	D476,566 S	7/2003	Smith et al.
4,582,214 A	4/1986	Dart et al.	D476,567 S	7/2003	Weiss et al.
4,589,569 A	5/1986	Clements	D476,891 S	7/2003	Clarke et al.
D285,416 S	9/1986	Dart et al.	D477,223 S	7/2003	Smith et al.
4,615,459 A	10/1986	Clements	D478,006 S	8/2003	Smith et al.
4,627,537 A	12/1986	Rogers	D479,802 S *	9/2003	Arduini D9/505
4,629,088 A	12/1986	Durgin	6,612,456 B1	9/2003	Hundley et al.
D287,919 S	1/1987	Clements	D480,968 S	10/2003	Atkins et al.
4,738,373 A	4/1988	DeParales	D481,633 S	11/2003	Schmidtner et al.
4,741,450 A	5/1988	Braude	6,644,490 B2	11/2003	Clarke
4,753,365 A	6/1988	Seppala	D485,758 S	1/2004	Clarke et al.
4,756,440 A	7/1988	Gartner	D485,759 S	1/2004	Janky et al.
4,760,934 A	8/1988	Netsch	6,679,397 B2	1/2004	Smith et al.
4,934,558 A	6/1990	Vargas	D487,399 S	3/2004	Schmidtner et al.
4,938,379 A	7/1990	Kellner	6,702,145 B2	3/2004	Malcolm
4,949,865 A	8/1990	Turner	D489,260 S	5/2004	Smith et al.
4,953,743 A	9/1990	Dart et al.	6,732,875 B2	5/2004	Smith et al.
5,050,759 A	9/1991	Marble	D493,718 S	8/2004	Durdon
D323,116 S	1/1992	Dart et al.	6,811,049 B2	11/2004	Lukacevic
5,090,584 A	2/1992	Roberts et al.	6,824,003 B1	11/2004	Wong
5,111,961 A	5/1992	Van Melle	6,874,649 B2	4/2005	Clarke et al.
5,165,579 A *	11/1992	Lund 222/192	6,886,707 B2	5/2005	Giraud
5,183,172 A	2/1993	Boller	6,889,859 B1	5/2005	Leon
5,197,624 A	3/1993	Dodaro	6,889,860 B2	5/2005	Mazzarolo
5,197,624 A	3/1993	Dodaro	D522,860 S *	6/2006	LaFortune D9/449
5,253,781 A	10/1993	Van Melle et al.	2002/0027139 A1	3/2002	O'Neill
5,335,812 A	8/1994	Boller	2002/0038803 A1	4/2002	Malcolm
5,348,181 A	9/1994	Smith et al.	2003/0024929 A1	2/2003	Smith et al.
D353,769 S	12/1994	Miller	2003/0024930 A1	2/2003	Smith et al.
D354,438 S	1/1995	Miller	2003/0052127 A1	3/2003	Mazzarolo
5,392,949 A	2/1995	McKenna	2003/0089714 A1	5/2003	Dart et al.
5,398,843 A	3/1995	Warden et al.	2003/0089726 A1	5/2003	Mazzarolo
D360,133 S	7/1995	Boller	2003/0102312 A1	6/2003	Horner
5,490,609 A	2/1996	Lane et al.	2003/0116568 A1	6/2003	Clarke et al.
5,503,289 A	4/1996	Fox	2003/0178426 A1	9/2003	Freek et al.
5,509,568 A	4/1996	Warden et al.	2003/0192890 A1	10/2003	Mazzarolo
D372,866 S	8/1996	Ahern, Jr.	2003/0197012 A1	10/2003	Smith et al.
D374,590 S *	10/1996	Ahern, Jr. D7/392.1	2003/0218017 A1	11/2003	Schmidtner et al.
D374,794 S *	10/1996	Ahern, Jr. D7/392.1			
5,613,619 A	3/1997	Van Melle			

US D539,646 S

Page 3

2004/0035868 A1 2/2004 Smith et al.
2004/0089662 A1 5/2004 Smith et al.
2004/0118847 A1 6/2004 Giraud
2004/0195239 A1 10/2004 Rush et al.
2005/0092748 A1 5/2005 Durdon

2005/0092749 A1 5/2005 Durdon
2006/0226147 A1 * 10/2006 Phillips 220/254.2
2006/0226148 A1 * 10/2006 Hundley et al. 220/254.3

* cited by examiner

FIG. 1

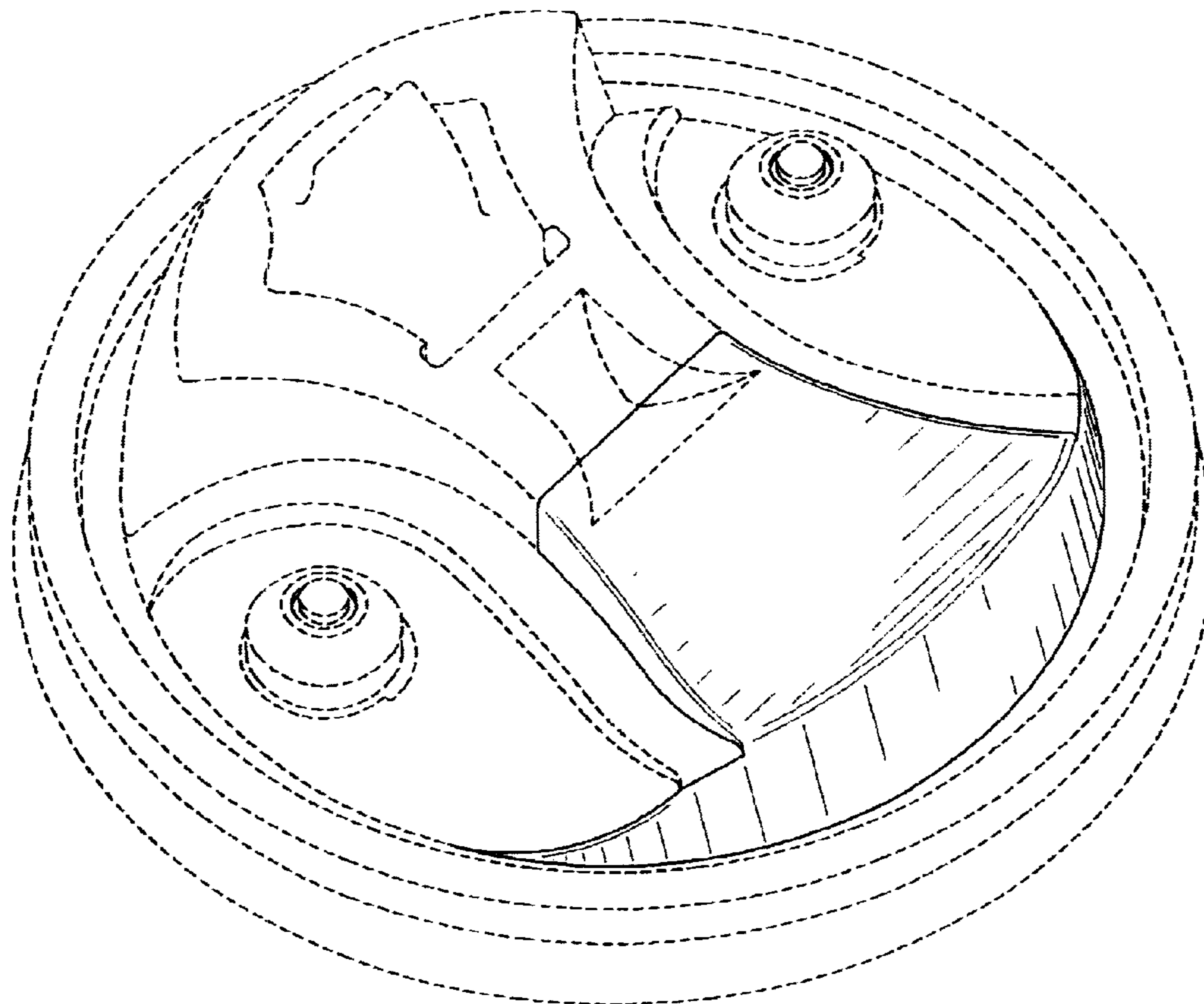


FIG. 2

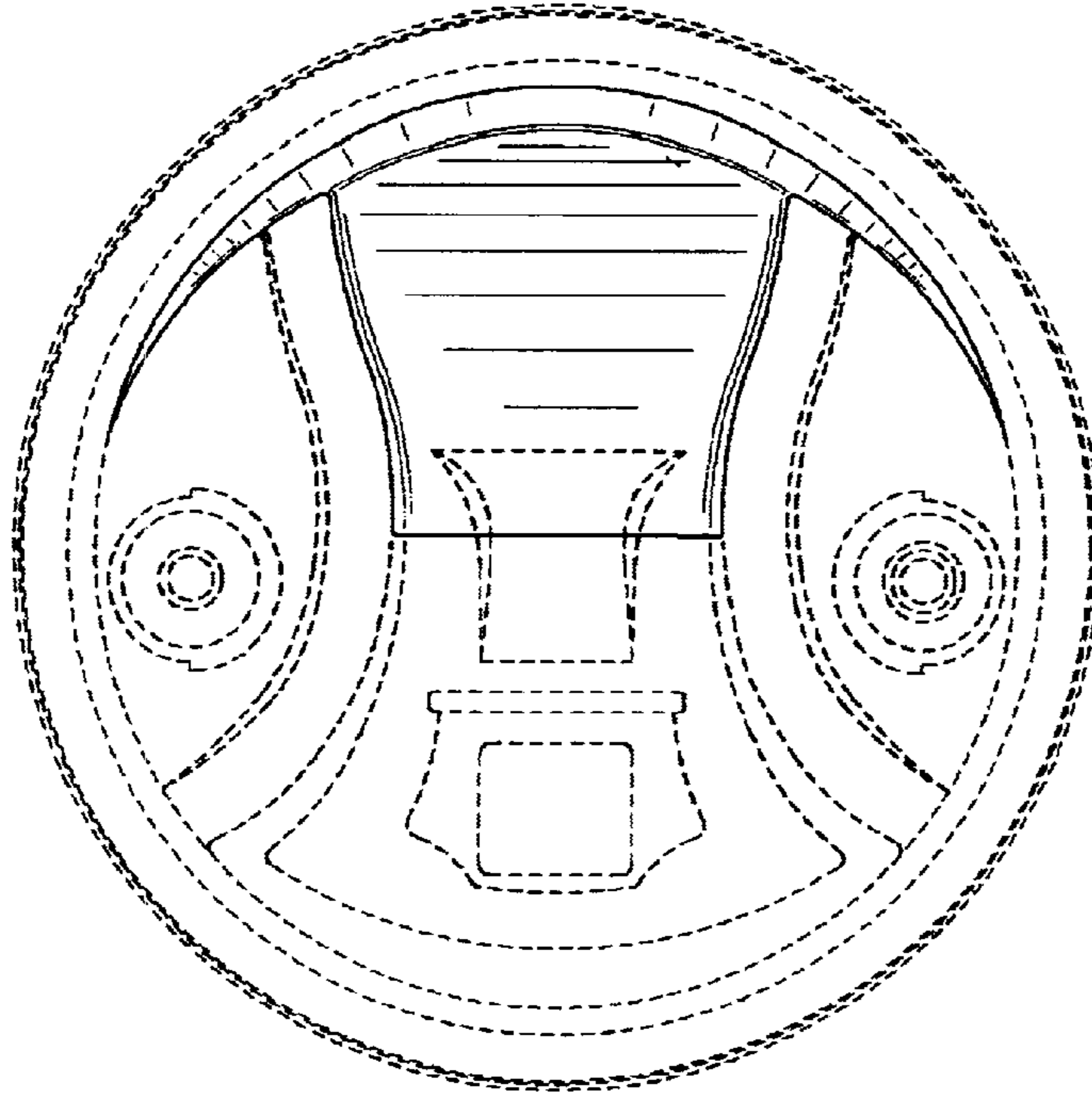


FIG. 3

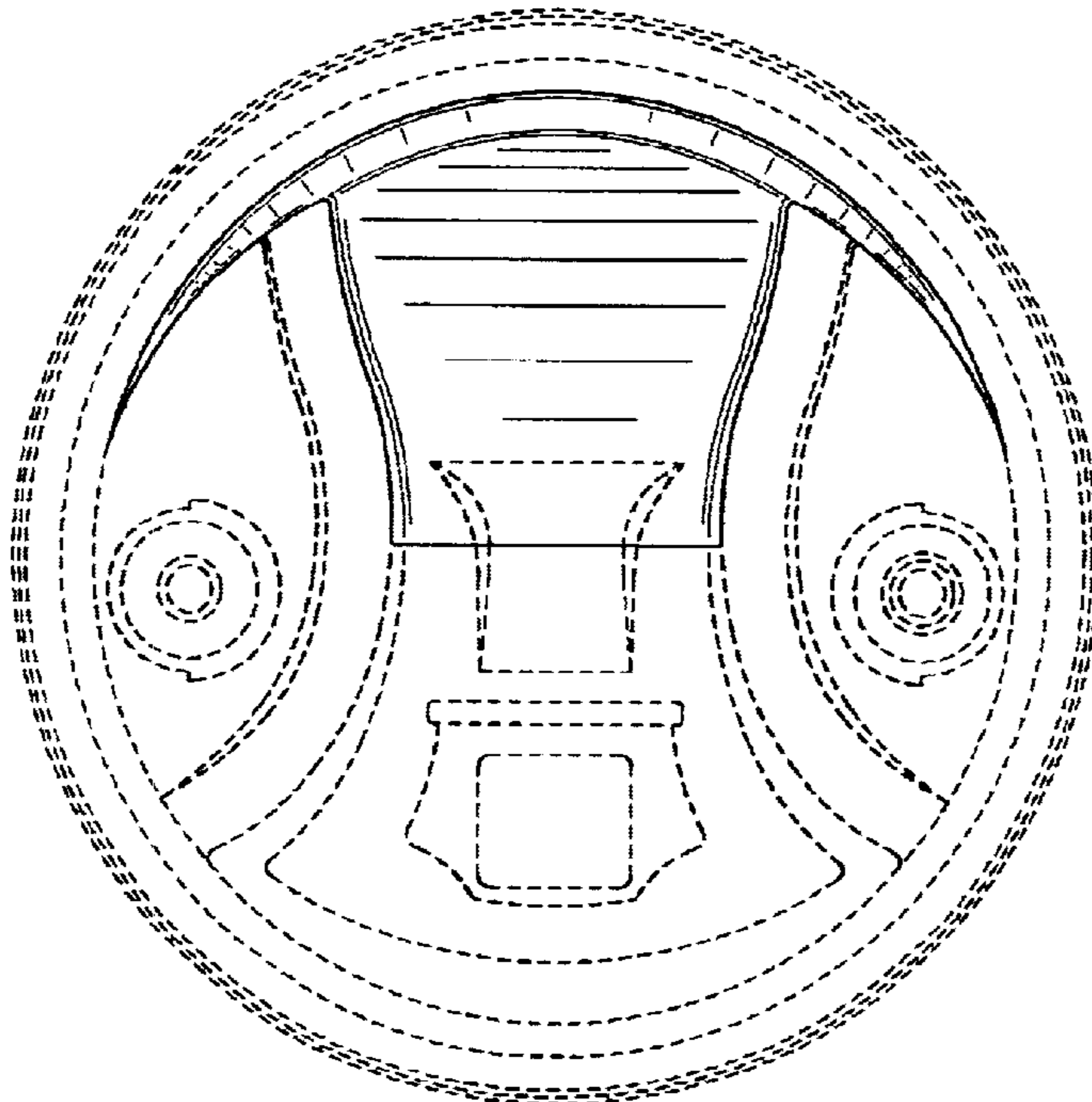


FIG. 4

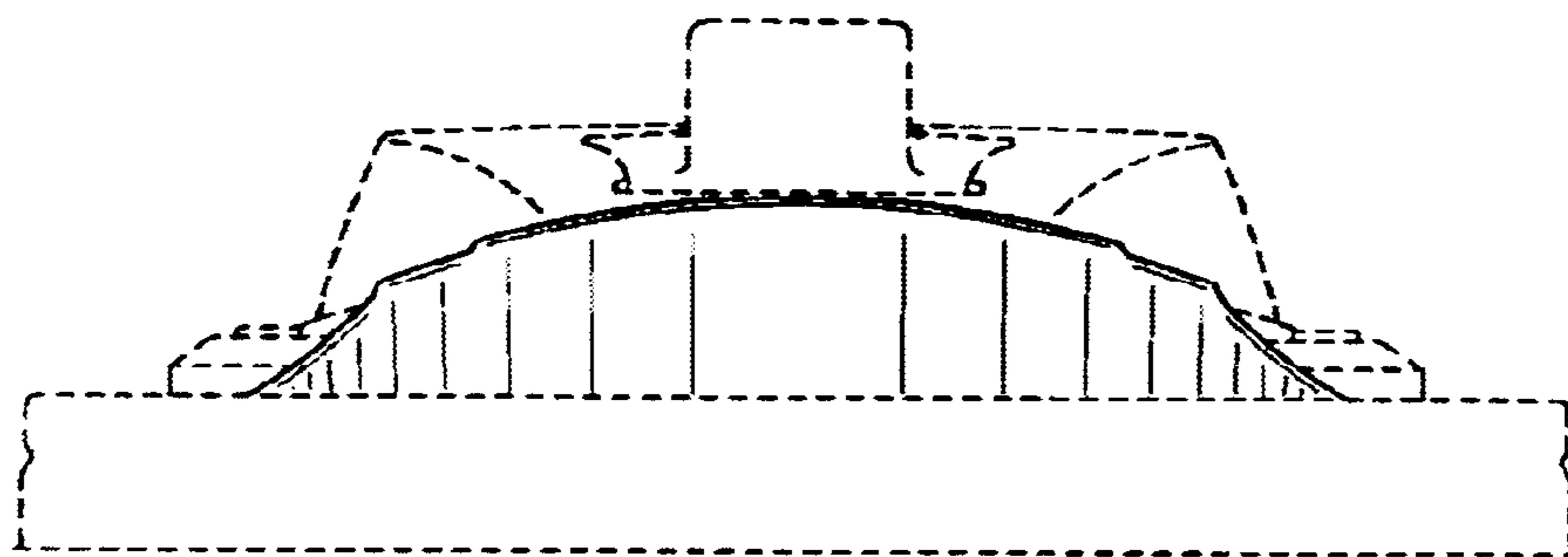


FIG. 5

