



US00D539644S

(12) **United States Design Patent**
Fuerst

(10) **Patent No.:** **US D539,644 S**

(45) **Date of Patent:** **** Apr. 3, 2007**

(54) **SHOE BOX**

(75) Inventor: **Rory W. Fuerst**, Atherton, CA (US)

(73) Assignee: **Keen LLC**, Alameda, CA (US)

(**) Term: **14 Years**

(21) Appl. No.: **29/229,374**

(22) Filed: **May 6, 2005**

(51) **LOC (8) Cl.** **09-03**

(52) **U.S. Cl.** **D9/431; D9/432; D9/424**

(58) **Field of Classification Search** D9/414,
D9/418, 420-425, 430-433; 229/122, 157,
229/120, 156, 113, 171, 174, 178, DIG. 11,
229/163; D3/294, 905

See application file for complete search history.

(56) **References Cited**

U.S. PATENT DOCUMENTS

3,419,184	A	*	12/1968	Asenbauer	206/508
3,485,433	A	*	12/1969	Rapp	229/122.25
D243,230	S	*	2/1977	Kleiner	D9/426
D248,015	S	*	5/1978	Smith	D9/425
D327,646	S	*	7/1992	Hardigg et al.	D9/425

D329,747	S	*	9/1992	Embree	D3/294
D333,094	S	*	2/1993	Zutler	D9/423
D361,715	S	*	8/1995	Hauptert	D9/424
D383,606	S	*	9/1997	Bourbonnais	D3/302
D384,502	S	*	10/1997	Seager et al.	D3/294
D521,812	S	*	5/2006	Kim	D7/629

* cited by examiner

Primary Examiner—Stella Reid

Assistant Examiner—Mark Goodwin

(74) *Attorney, Agent, or Firm*—Perkins Coie LLP

(57) **CLAIM**

I claim the ornamental design for a shoe box, as shown and described.

DESCRIPTION

FIG. 1 is a perspective view of a shoe box showing my new design;

FIG. 2 is an end elevation view of the shoe box;

FIG. 3 is the opposite end elevation view of the shoe box;

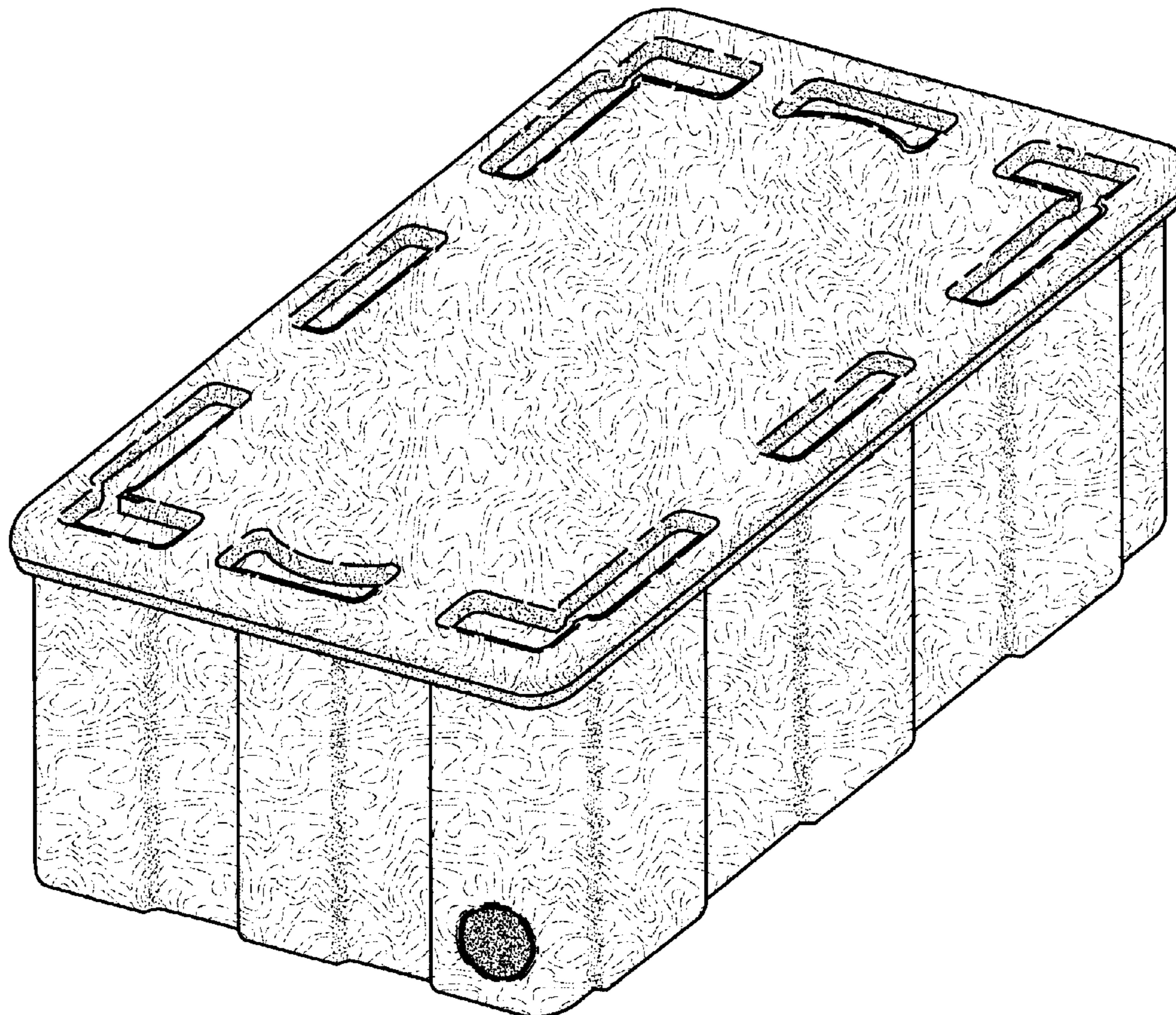
FIG. 4 is a side elevation view of the shoe box;

FIG. 5 is an elevation view of the other side of the shoe box;

FIG. 6 is a top plan view of the shoe box; and,

FIG. 7 is a bottom plan view of the shoe box.

1 Claim, 4 Drawing Sheets



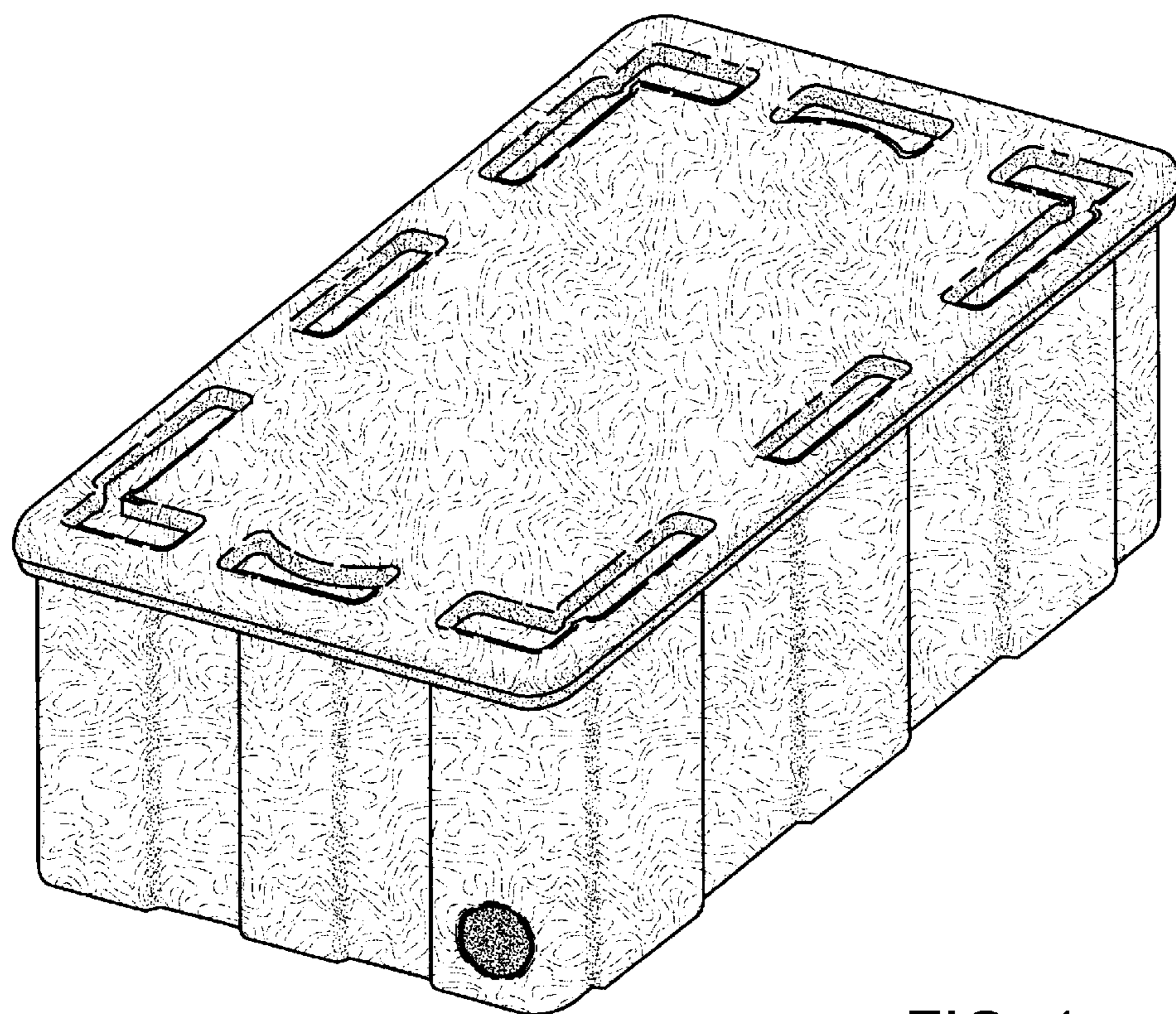


FIG. 1

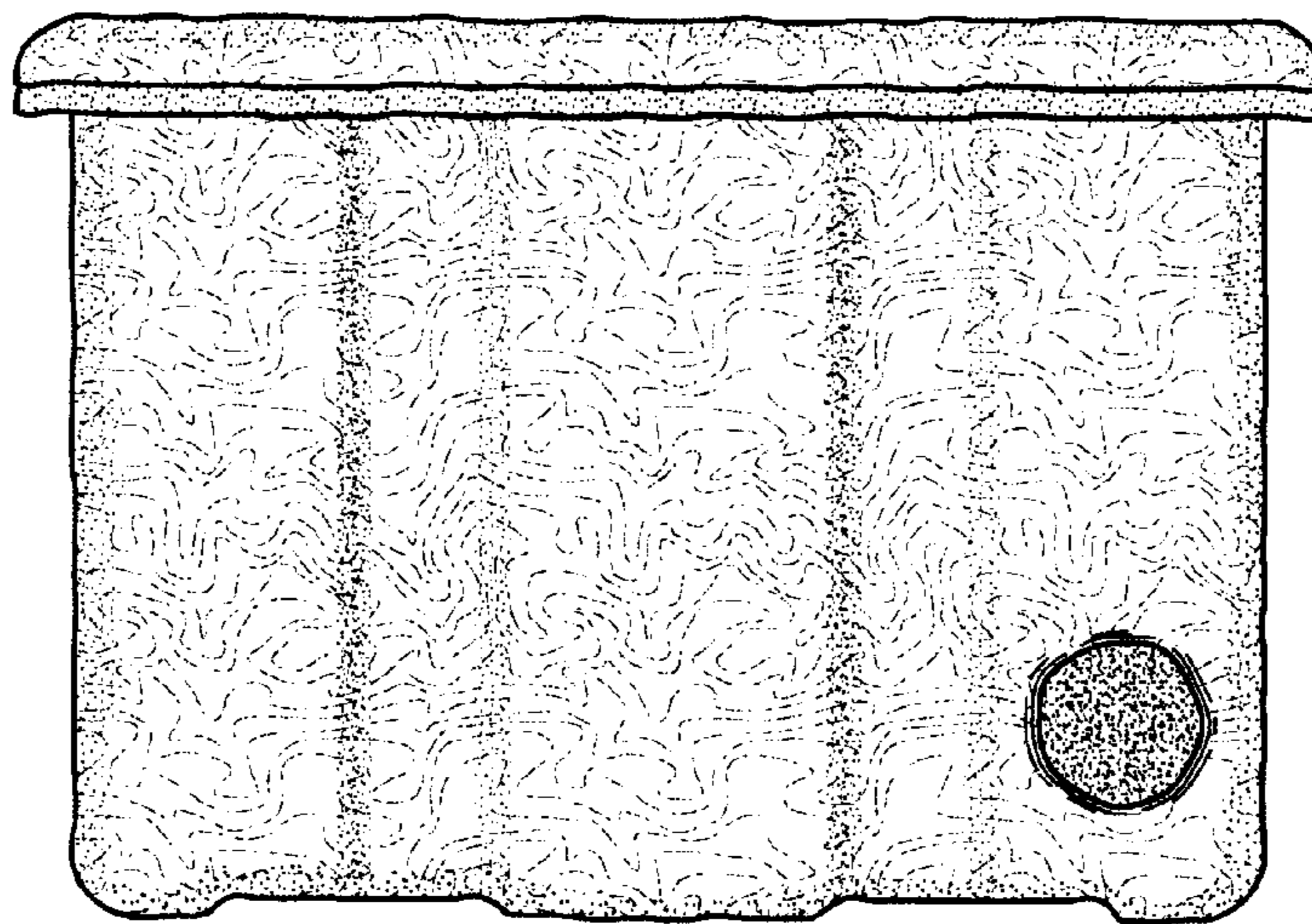


FIG. 2

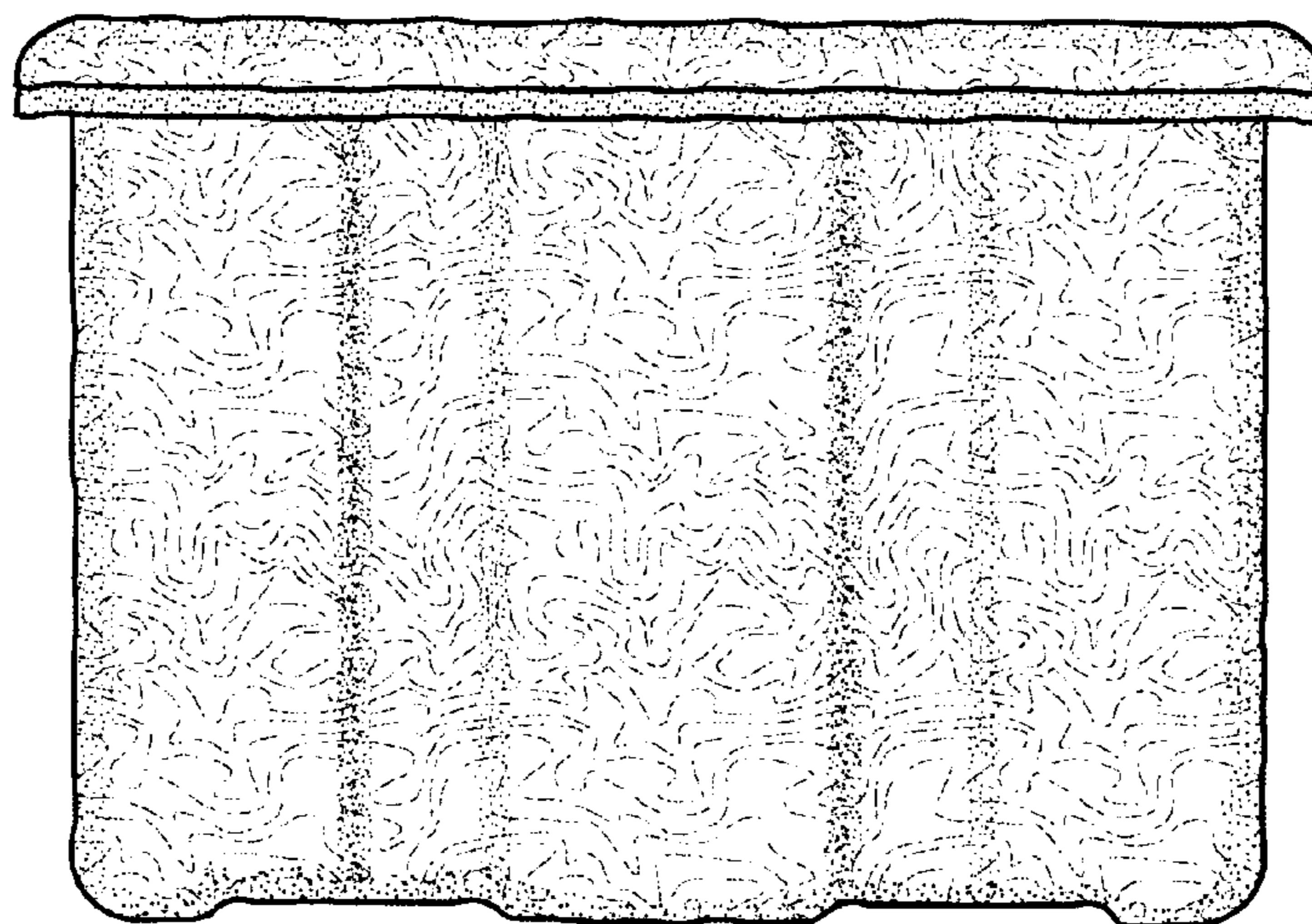


FIG. 3

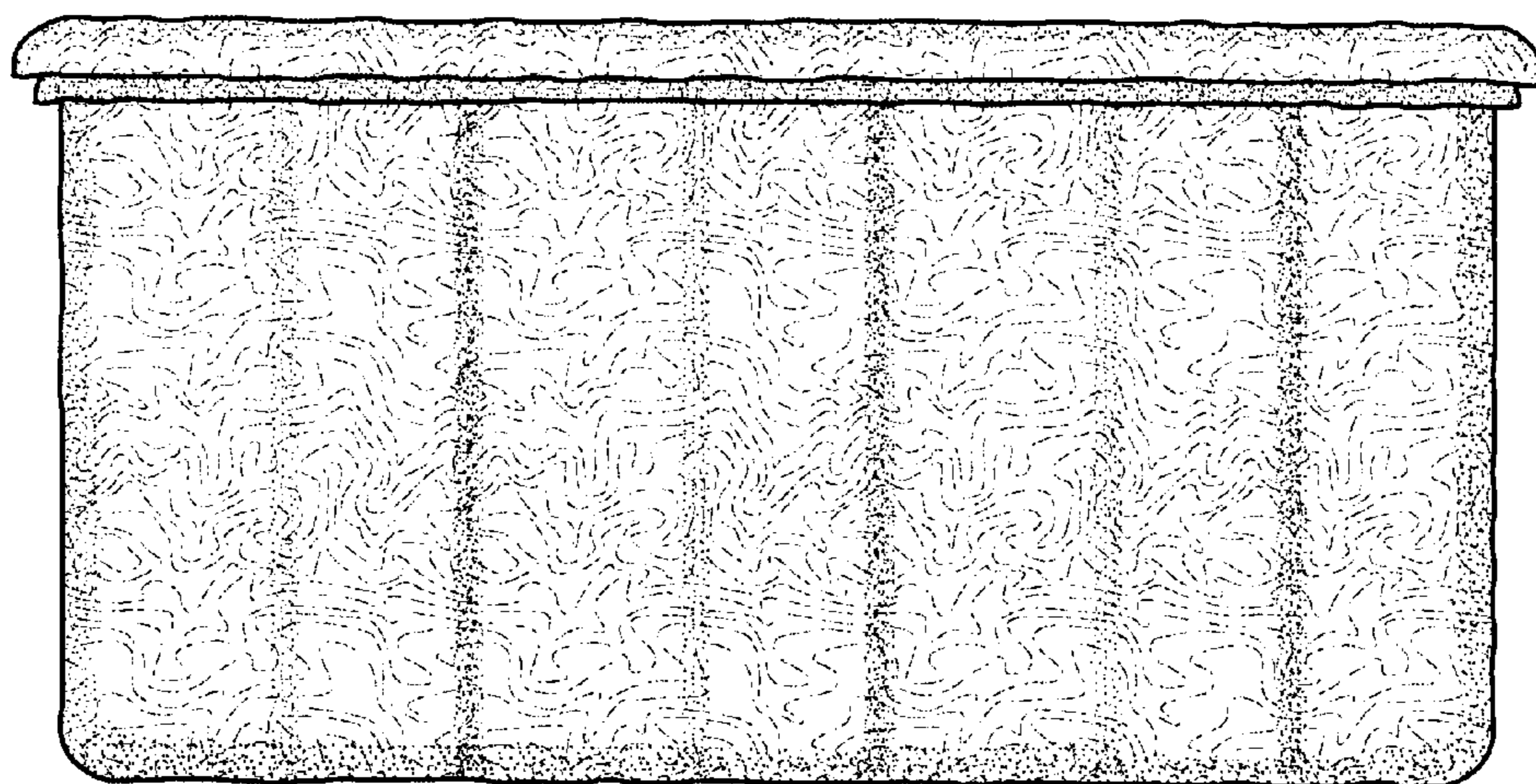


FIG. 4

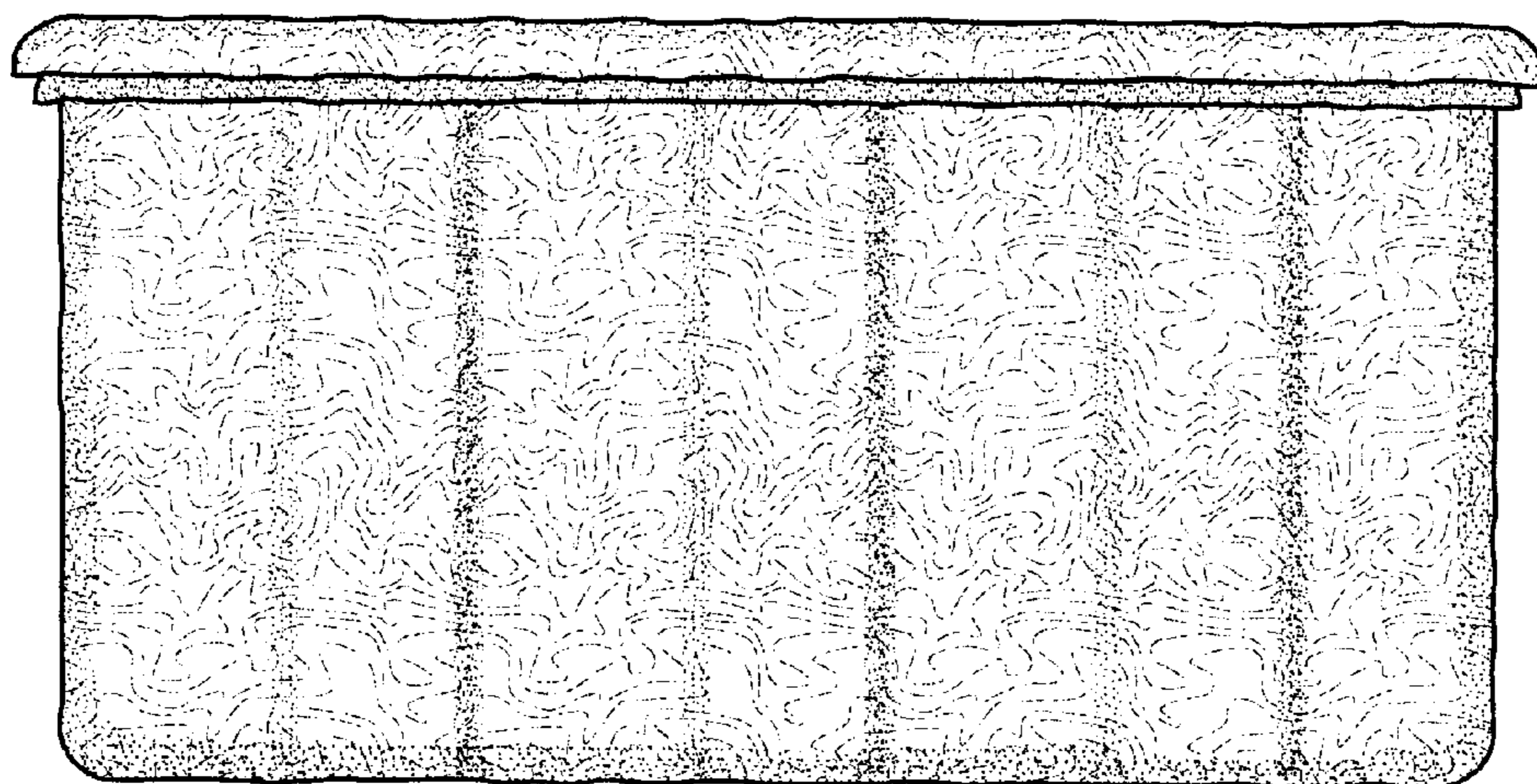


FIG. 5

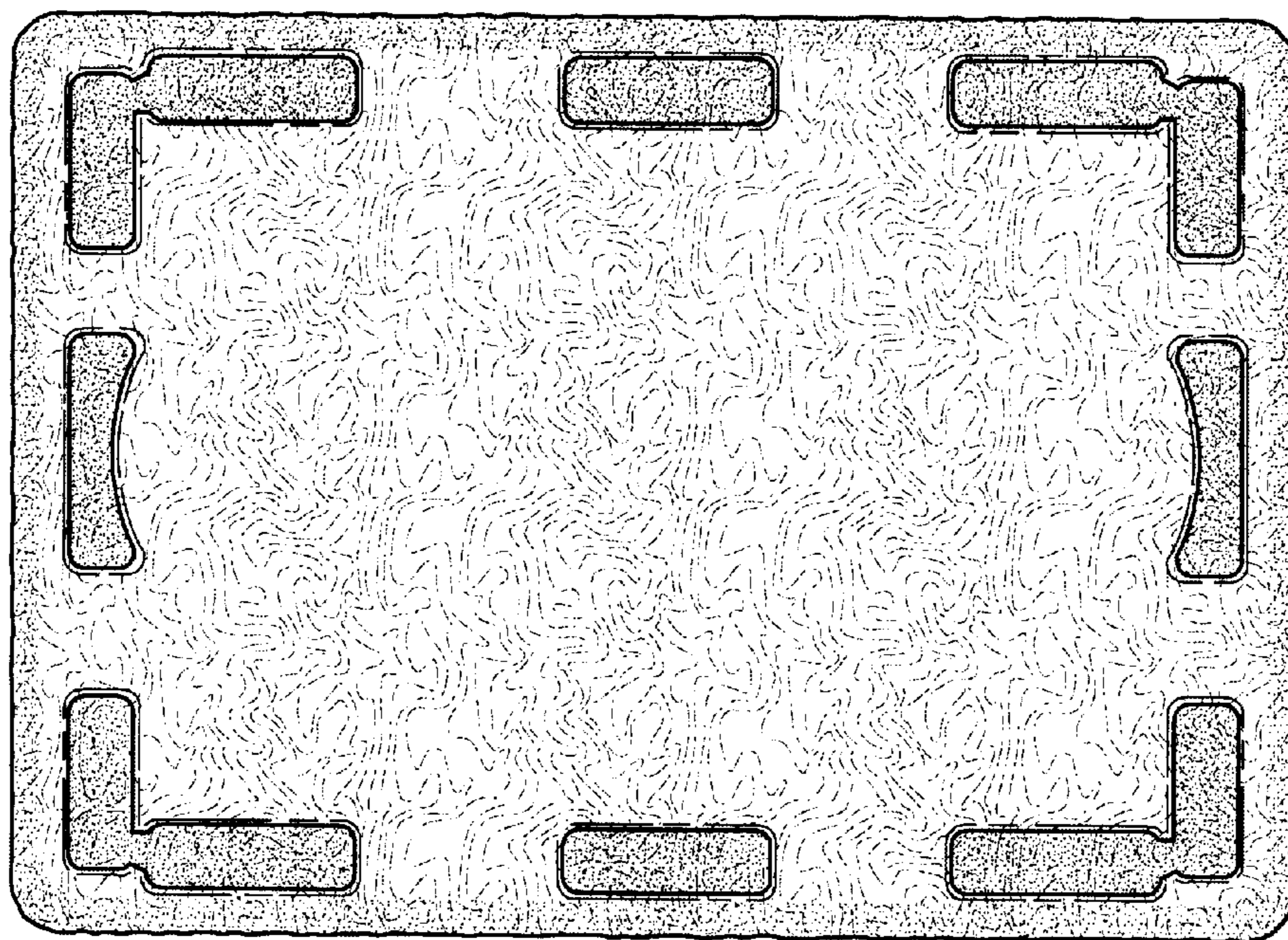


FIG. 6

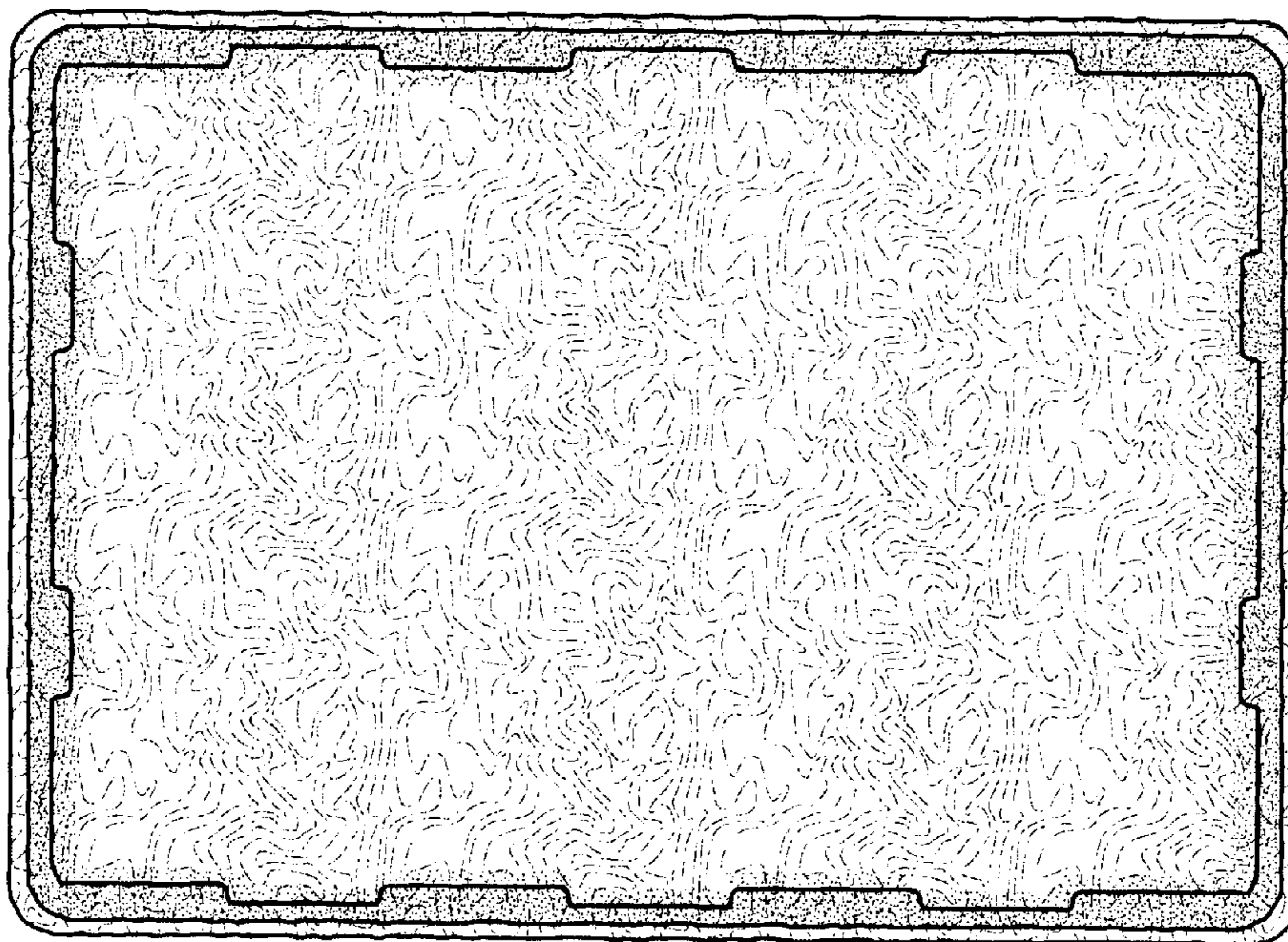


FIG. 7