



US00D539643S

(12) **United States Design Patent**
Abel

(10) **Patent No.:** **US D539,643 S**

(45) **Date of Patent:** **** Apr. 3, 2007**

(54) **CAPSULE**

(75) Inventor: **Pierre Abel**, Levallois Perret (FR)

(73) Assignee: **Societe des Produits Nestle S.A.**,
Vevey (CH)

(**) Term: **14 Years**

(21) Appl. No.: **29/243,427**

(22) Filed: **Nov. 22, 2005**

(30) **Foreign Application Priority Data**

May 23, 2005 (CH) 131762

(51) **LOC (8) Cl.** **09-03**

(52) **U.S. Cl.** **D9/424; D9/414**

(58) **Field of Classification Search** D9/414,
D9/418, 419, 424, 425, 429, 430, 432, 433;
D7/399-401, 213, 601; D26/81, 83; 220/657-659,
220/669, 675, 574, 912, 913

See application file for complete search history.

(56) **References Cited**

U.S. PATENT DOCUMENTS

D288,057 S * 2/1987 Webster D7/400

D404,262 S * 1/1999 McGill D7/629

D513,152 S * 12/2005 Cahen D7/400

FOREIGN PATENT DOCUMENTS

DE 10116239 A1 * 10/2002

* cited by examiner

Primary Examiner—Stella Reid

Assistant Examiner—Thomas Johannes

(74) *Attorney, Agent, or Firm*—Bell, Boyd & Lloyd LLC

(57) **CLAIM**

We claim the ornamental design for a capsule, as shown and described.

DESCRIPTION

FIG. 1 illustrates a front perspective view of the bottom of the capsule.

FIG. 2 illustrates a front side view of the capsule of FIG. 1, wherein the back side view is an identical image of this view.

FIG. 3 illustrates a right side view of the capsule of FIG. 1, wherein the left side view is an identical image of this view.

FIG. 4 illustrates a bottom view of the capsule of FIG. 1.

FIG. 5 illustrates a front perspective view of a second alternative embodiment of the capsule of FIG. 1, wherein the height of the second alternative embodiment is shorter than the height of the capsule of FIG. 1; and,

FIG. 6 illustrates a front perspective view of a third alternative embodiment of the capsule of FIG. 1, wherein the height of the third alternative embodiment is longer than the height of the capsule of FIG. 1.

1 Claim, 4 Drawing Sheets

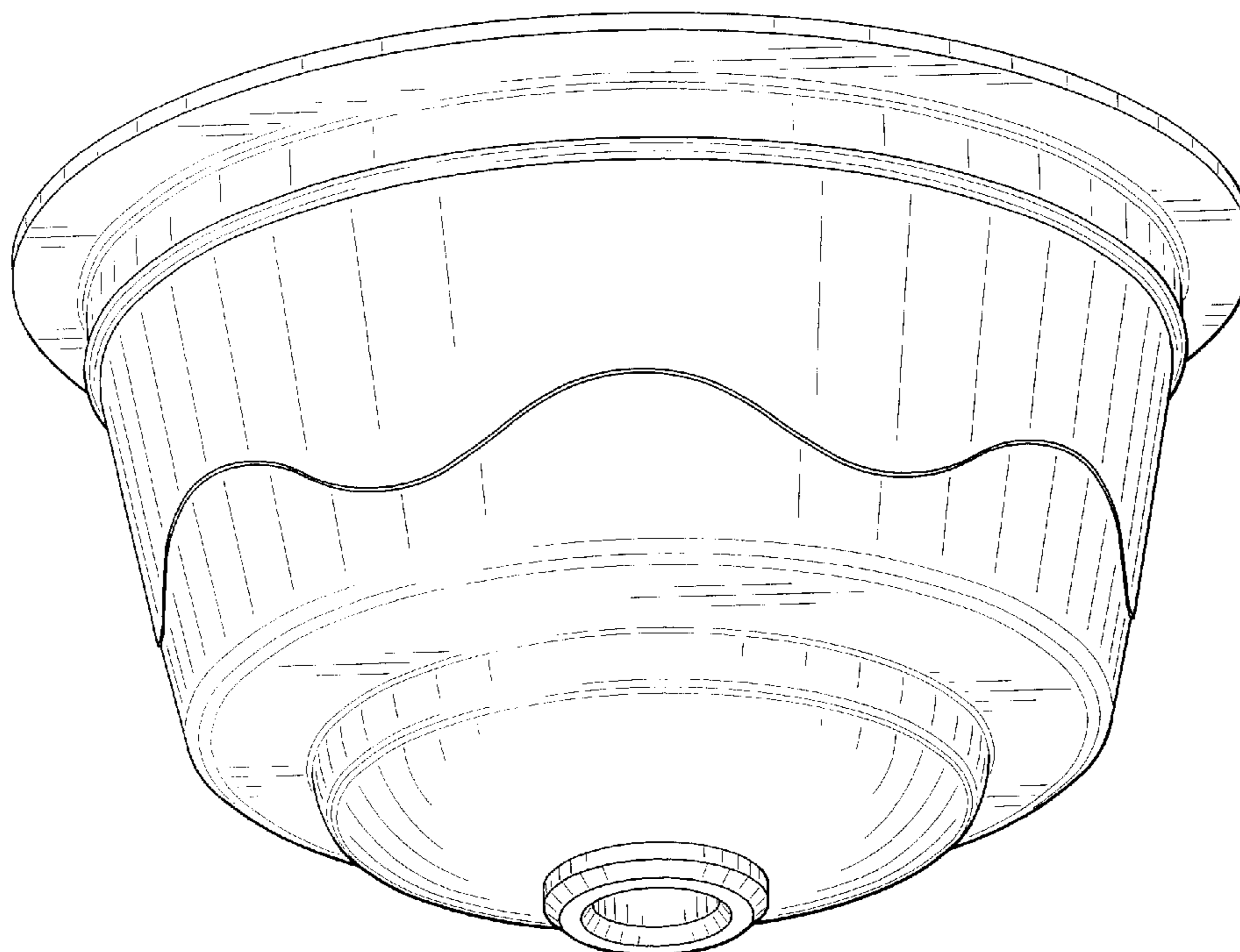


FIG. 1

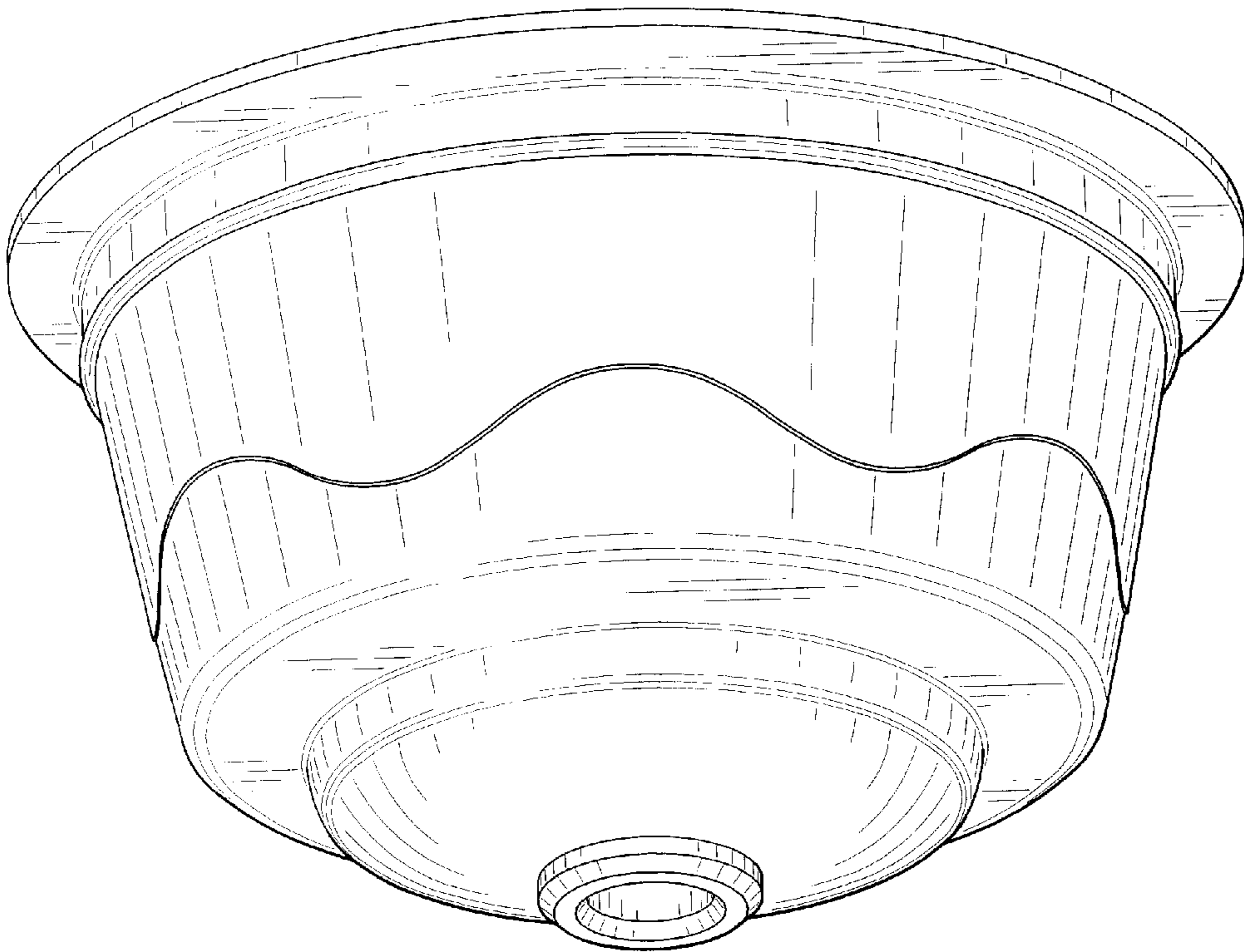


FIG.2

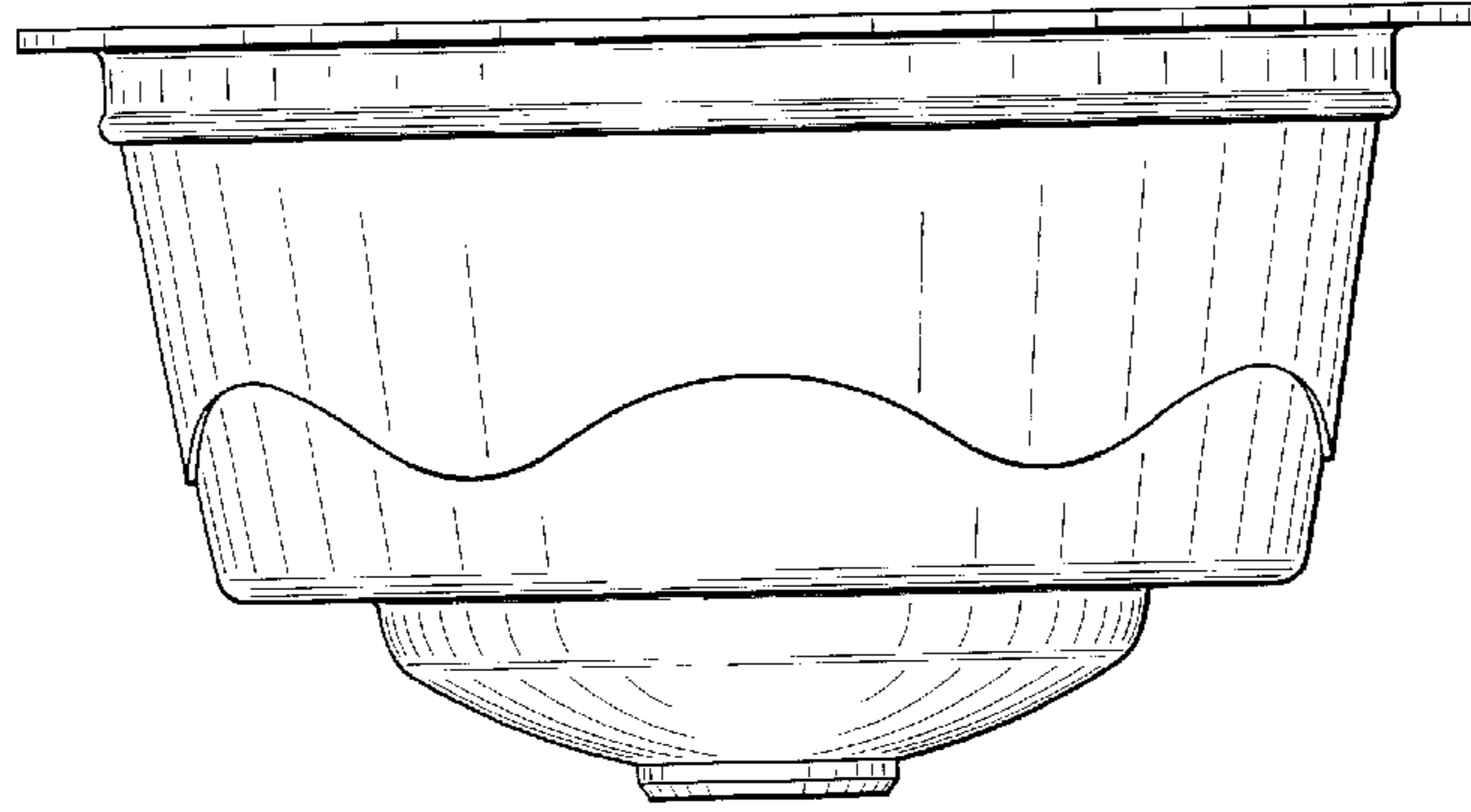


FIG.3

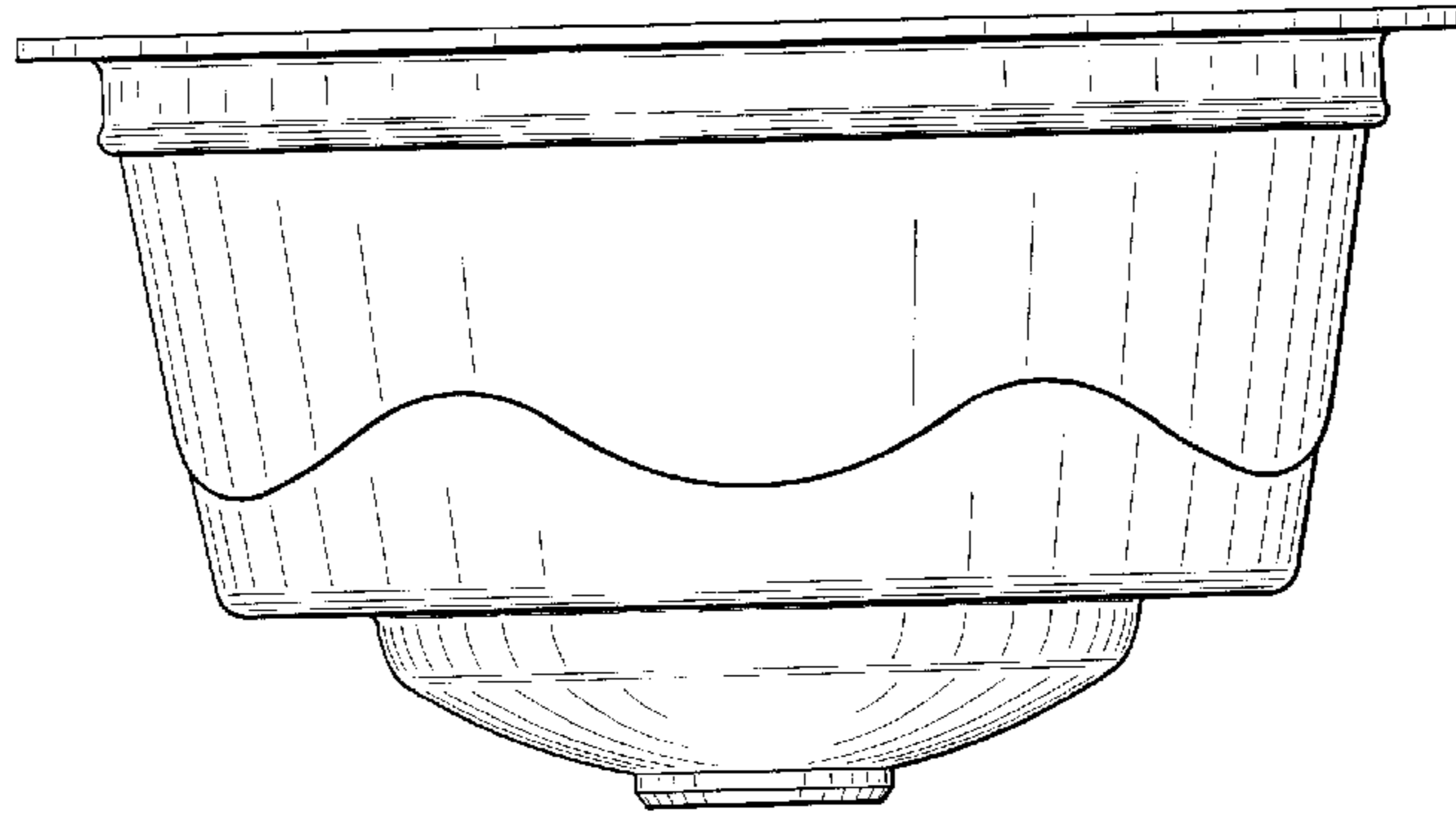


FIG.4

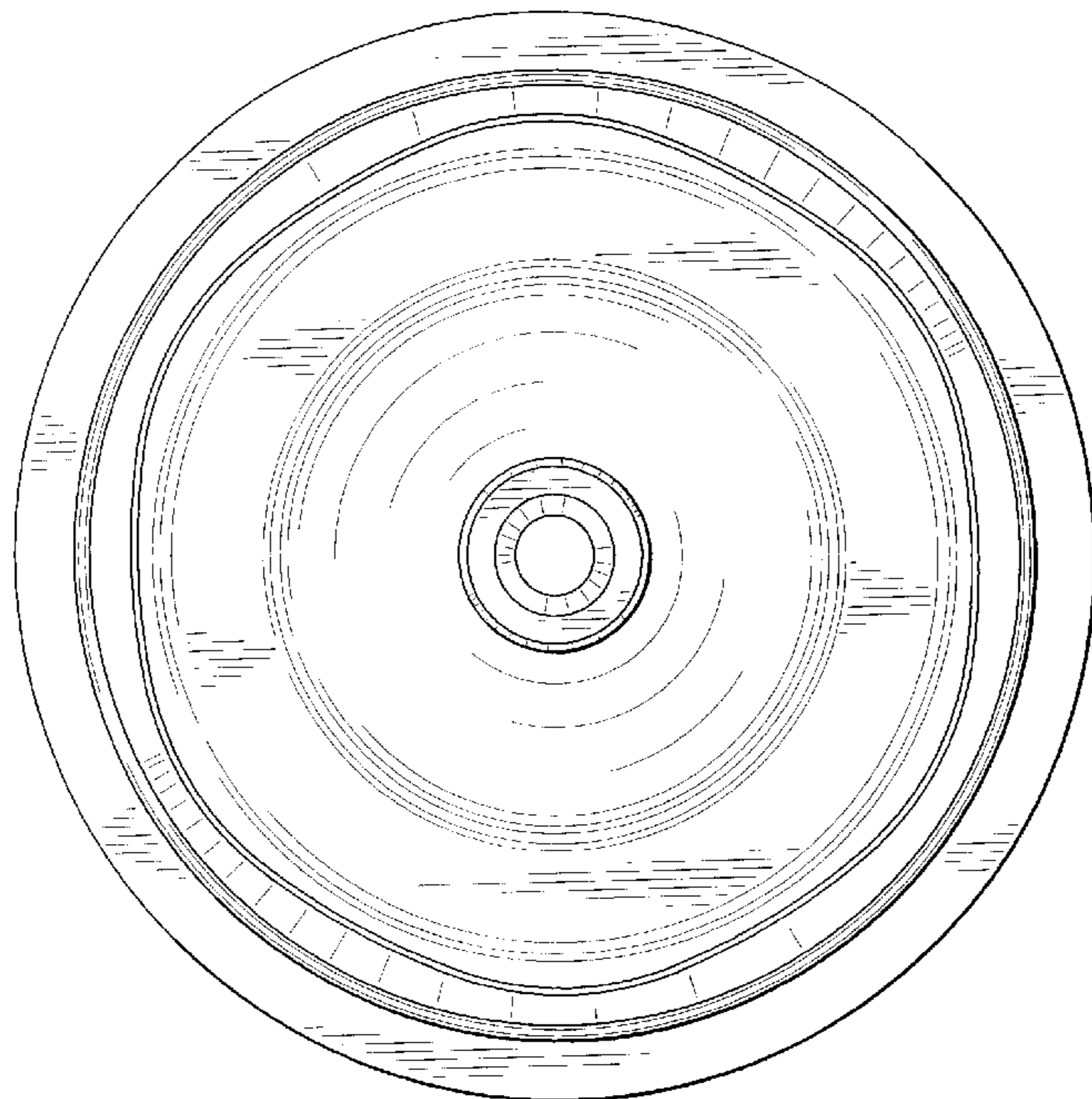


FIG. 5

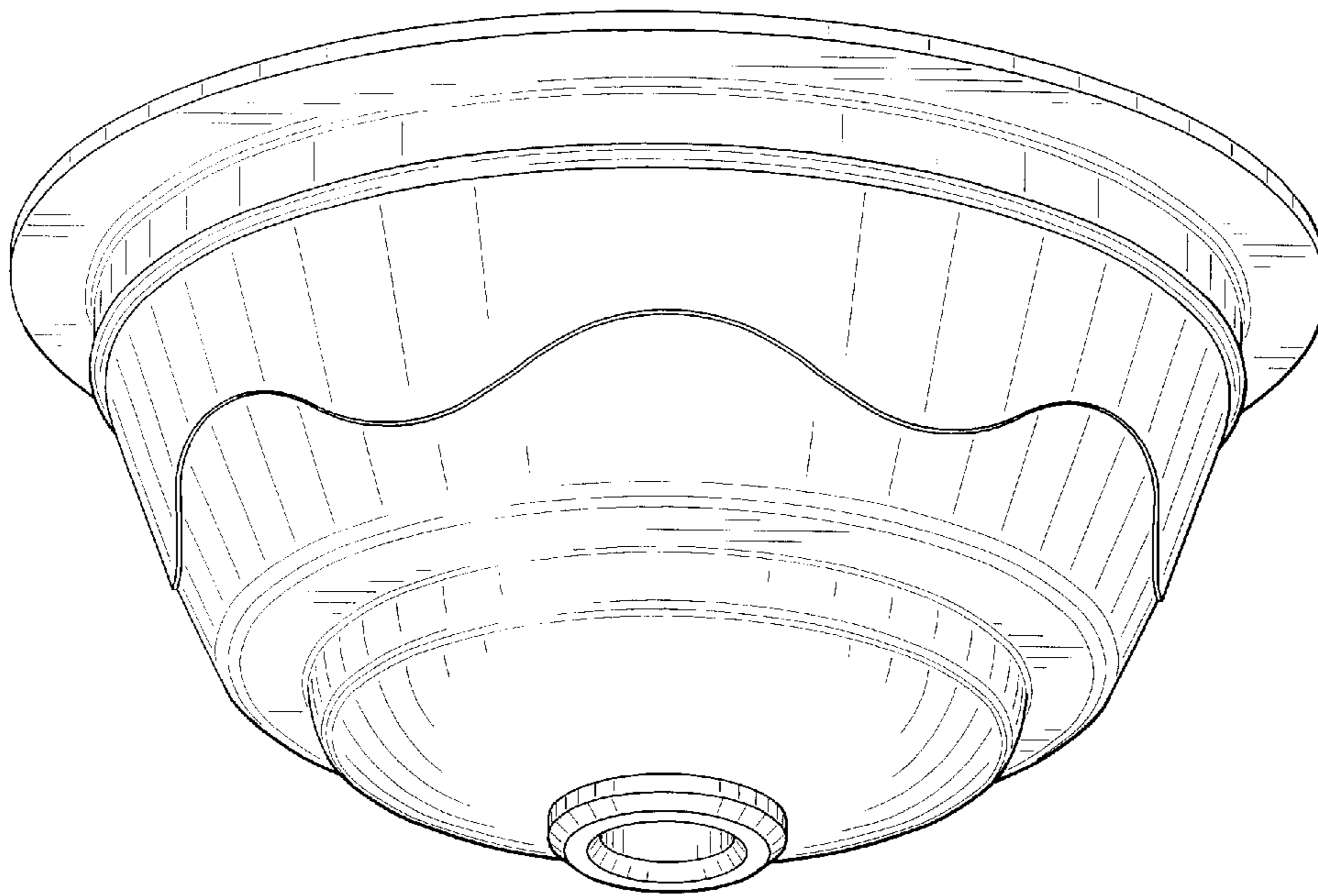


FIG. 6

