



US00D539639S

(12) **United States Design Patent**
Nagle

(10) **Patent No.:** **US D539,639 S**

(45) **Date of Patent:** **** Apr. 3, 2007**

(54) **ONE-TUBE "C" BRACKET**

(76) **Inventor:** **Christopher N. Nagle**, 1017 Bucks Rd., Perkasio, PA (US) 18944

(**) **Term:** **14 Years**

(21) **Appl. No.:** **29/204,900**

(22) **Filed:** **May 6, 2004**

(51) **LOC (8) Cl.** **08-08**

(52) **U.S. Cl.** **D8/396**

(58) **Field of Classification Search** D8/354-356,
D8/371, 394-396, 382; 24/16 R; 248/49,
248/62, 74.1-74.4

See application file for complete search history.

(56) **References Cited**

U.S. PATENT DOCUMENTS

3,188,030	A	*	6/1965	Fischer	248/68.1
3,464,661	A	*	9/1969	John, Jr.	248/68.1
D232,917	S	*	9/1974	Vincent	D8/354
3,856,246	A	*	12/1974	Sinko	248/68.1
4,202,520	A	*	5/1980	Loos et al.	248/68.1

5,827,441	A	*	10/1998	Solbjorg	249/91
5,992,802	A	*	11/1999	Campbell	248/68.1
D417,611	S	*	12/1999	van de Lande	D8/395
D485,161	S	*	1/2004	Hutchinson	D8/383

* cited by examiner

Primary Examiner—Louis S. Zarfaz

Assistant Examiner—John Windmuller

(57) **CLAIM**

The ornamental design for a one-tube "C" bracket, as shown and described.

DESCRIPTION

FIG. 1 is a perspective view of a one-tube "C" bracket showing my new design;
 FIG. 2 is a right elevational view thereof.
 FIG. 3 is a left elevational view thereof.
 FIG. 4 is a front side elevational view thereof.
 FIG. 5 is a rear side elevational view thereof; and,
 FIG. 6 is a top plan view thereof.
 The broken lines are for illustrative purposes only and form no part of the claimed design.

1 Claim, 6 Drawing Sheets

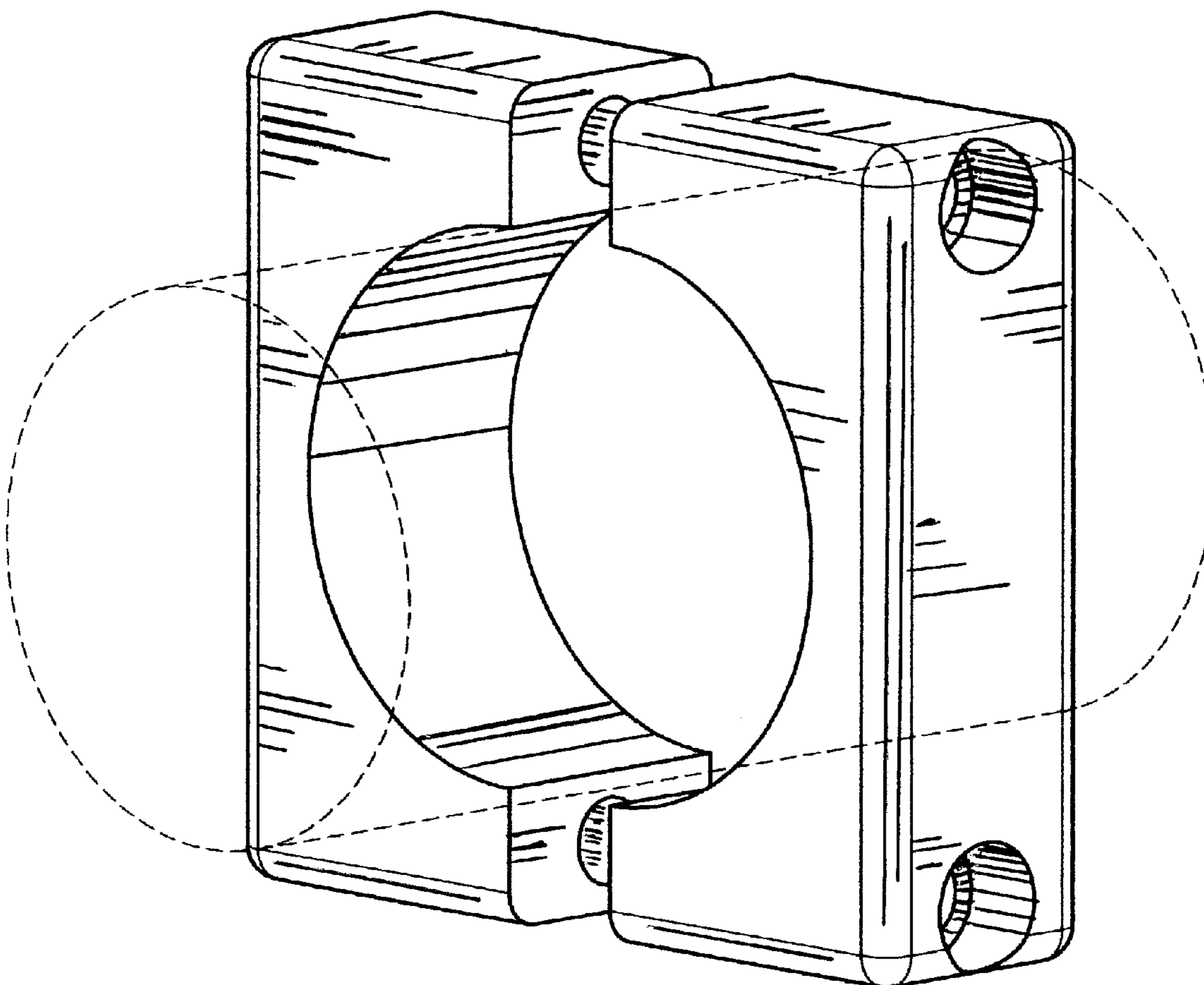


FIG. 1

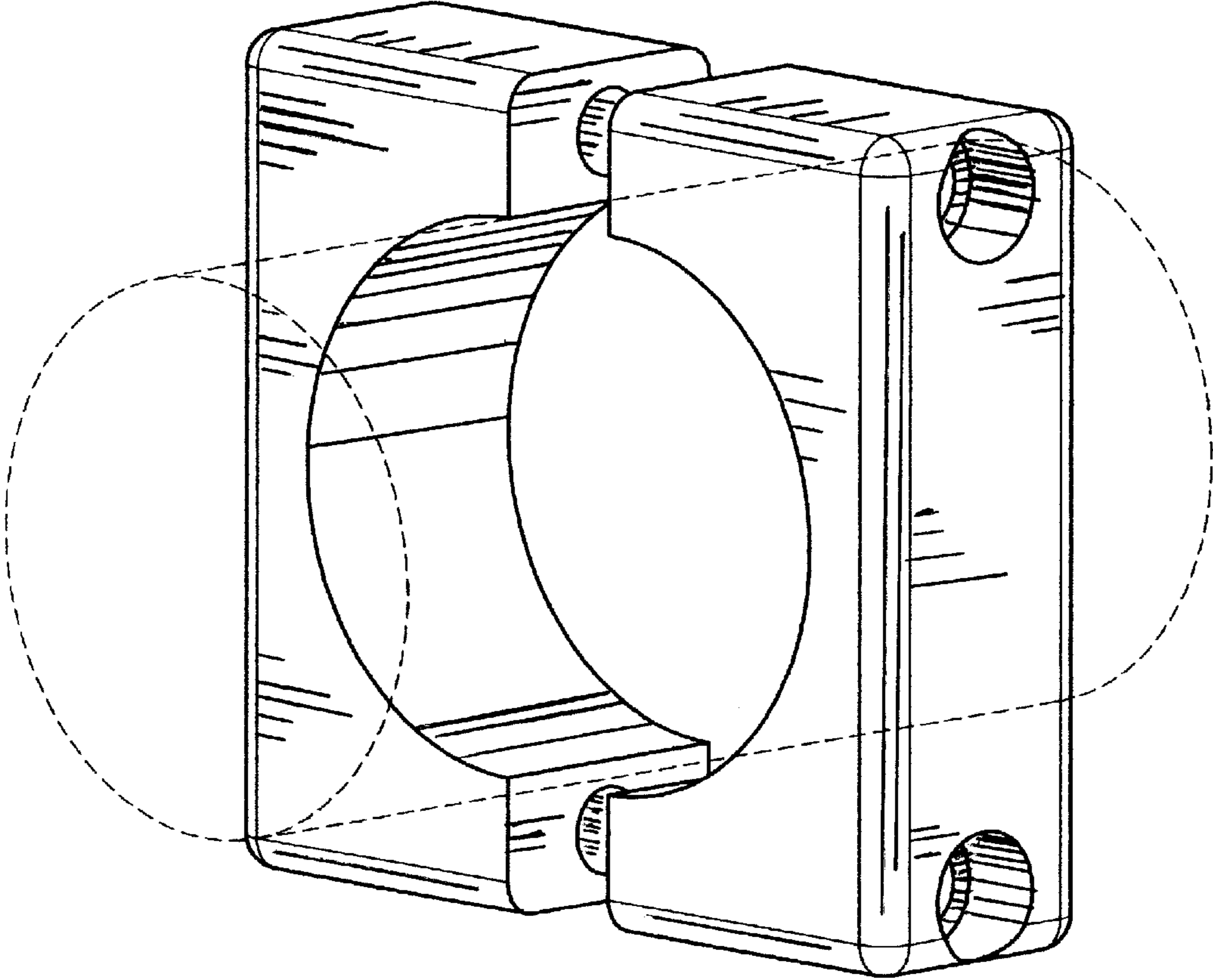


FIG. 2

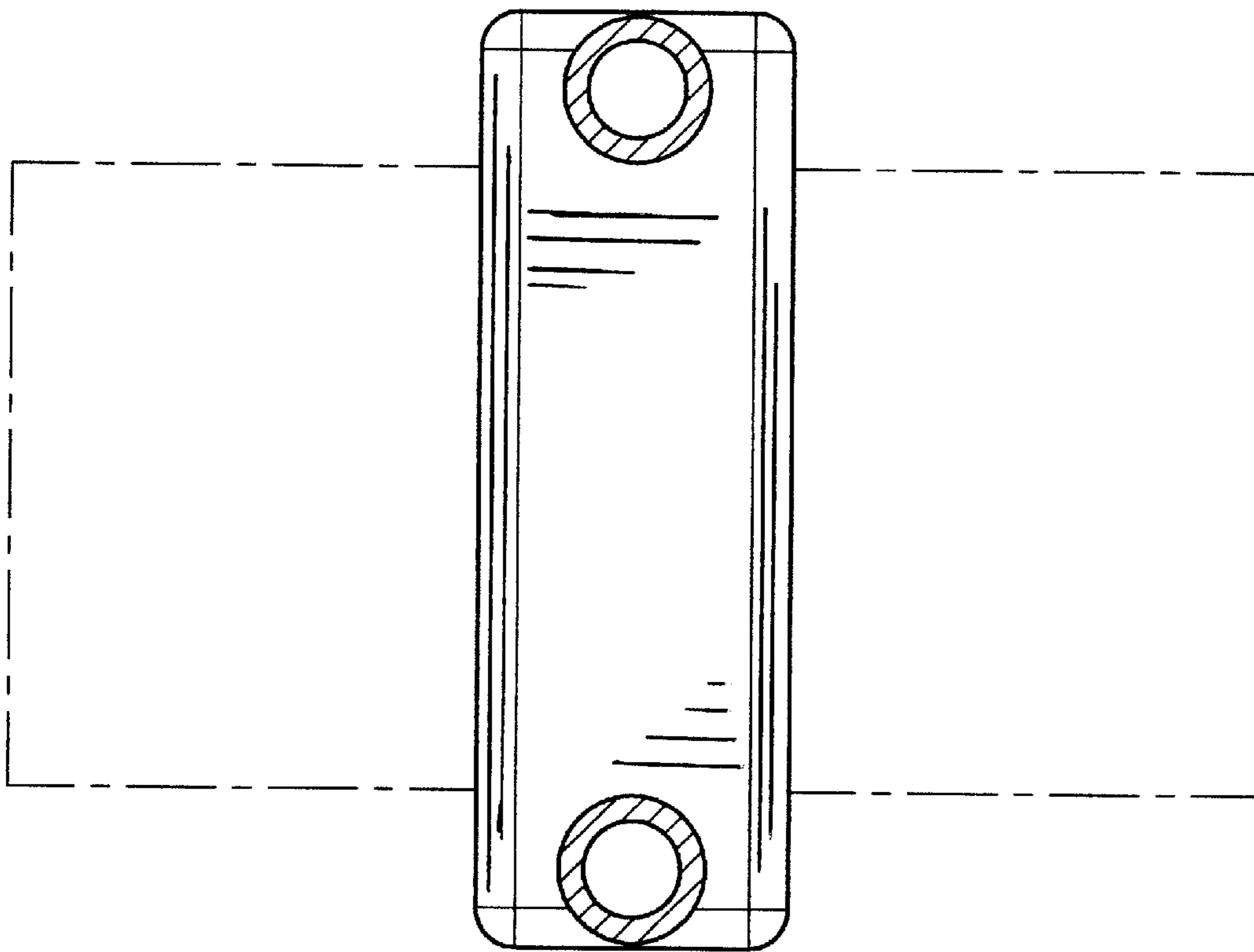


FIG. 3

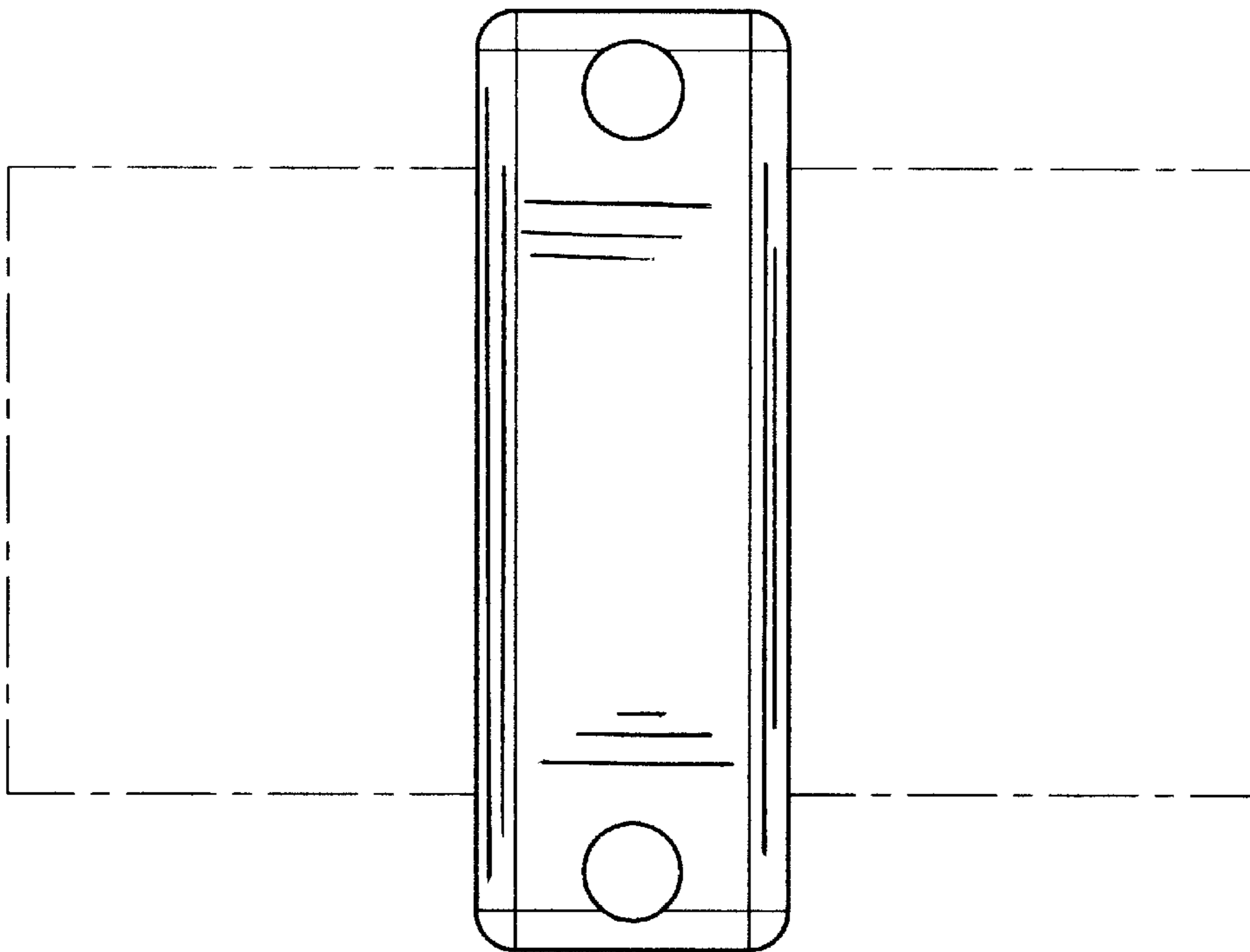


FIG. 4

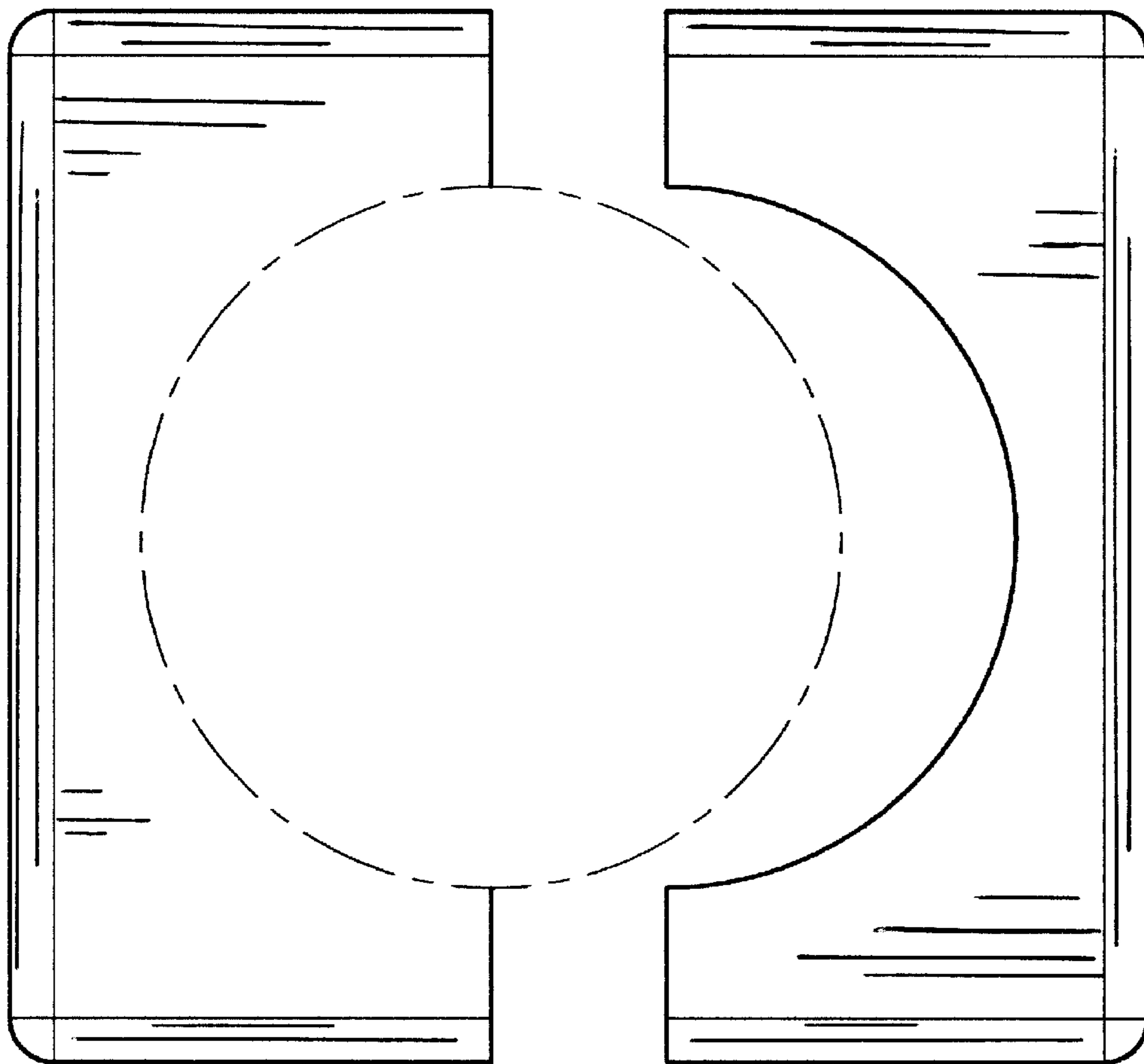


FIG. 5

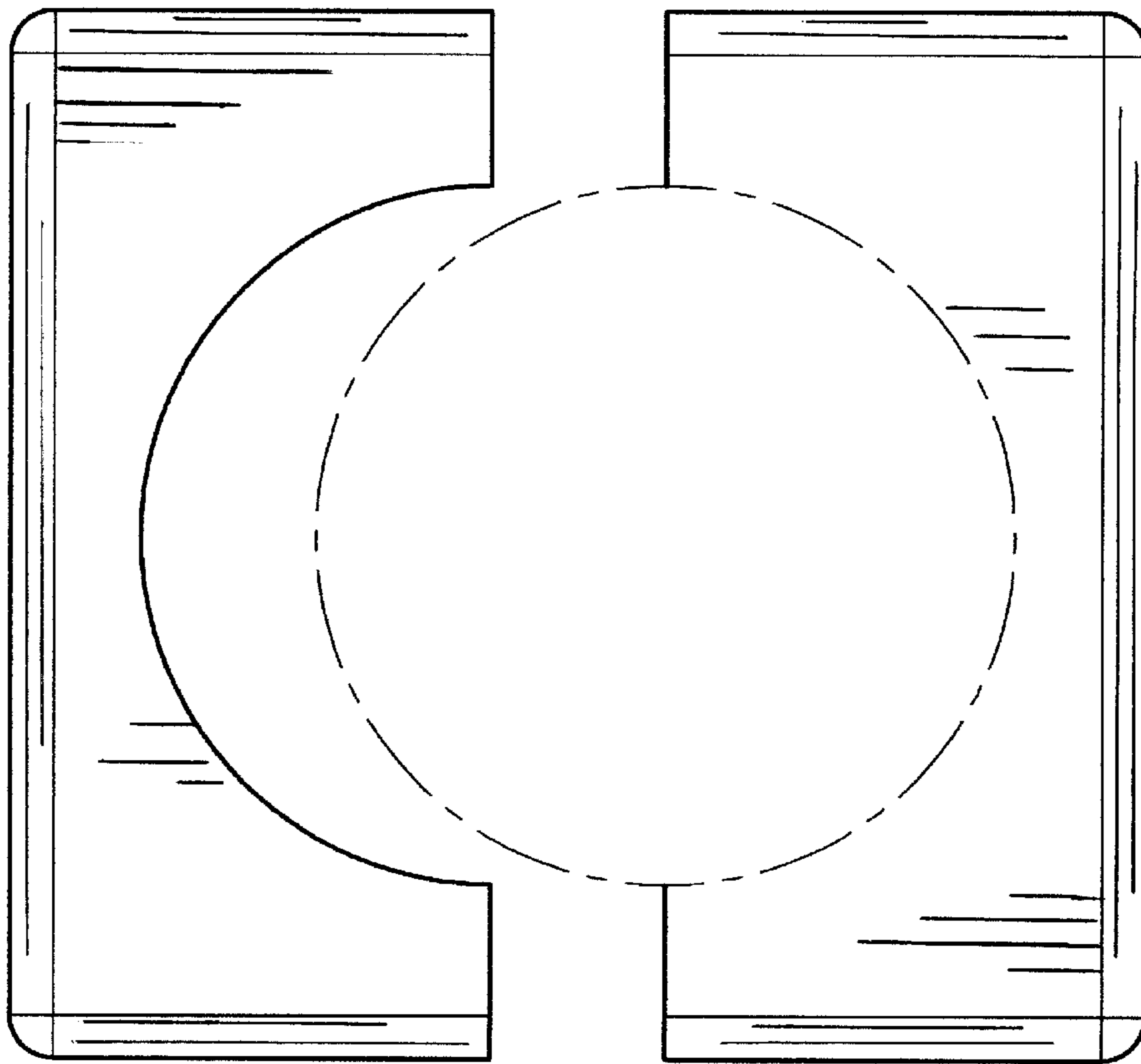


FIG. 6

