



US00D539637S

(12) **United States Design Patent**
Ly Hau et al.

(10) **Patent No.:** **US D539,637 S**

(45) **Date of Patent:** **** Apr. 3, 2007**

(54) **UNIVERSAL MOUNT FOR A MEDIUM FLAT
PANEL DISPLAY**

D494,596 S * 8/2004 Pfister D14/451
2003/0201372 A1 * 10/2003 Dozier 248/286.1

(75) Inventors: **Flavio Ly Hau**, Tempe, AZ (US); **Brett Stenhouse**, Phoenix, AZ (US); **Zachary Eymann**, Phoenix, AZ (US); **Korry Hoglan**, Phoenix, AZ (US); **David Anderson**, Mesa, AZ (US); **Tom Muday**, Scottsdale, AZ (US); **Vivek Jayaprakasan**, Tempe, AZ (US)

* cited by examiner

Primary Examiner—Holly H. Baynham
(74) *Attorney, Agent, or Firm*—Hogan & Hartson LLP

(73) Assignee: **Omnimount Systems, Inc.**, Phoenix, AZ (US)

(57) **CLAIM**

The ornamental design for a universal mount for a medium flat panel display, as shown and described.

(**) Term: **14 Years**

DESCRIPTION

(21) Appl. No.: **29/235,683**

FIG. 1 is a top, left isometric view of an embodiment of a universal mount for a medium flat panel display showing our design.

(22) Filed: **Aug. 3, 2005**

FIG. 2 is a front elevational view thereof.

(51) **LOC (8) Cl.** **08-05**

FIG. 3 is a rear elevational view thereof.

(52) **U.S. Cl.** **D8/373**

FIG. 4 is a left-side elevational view thereof; the right-side elevational view is a mirror image of FIG. 4.

(58) **Field of Classification Search** D8/363,
D8/373, 380; D14/214, 224, 451-452; 248/309.1,
248/280.11, 279.1, 284.1, 286.1
See application file for complete search history.

FIG. 5 is a top plan view thereof; and,

FIG. 6 is a bottom plan view thereof.

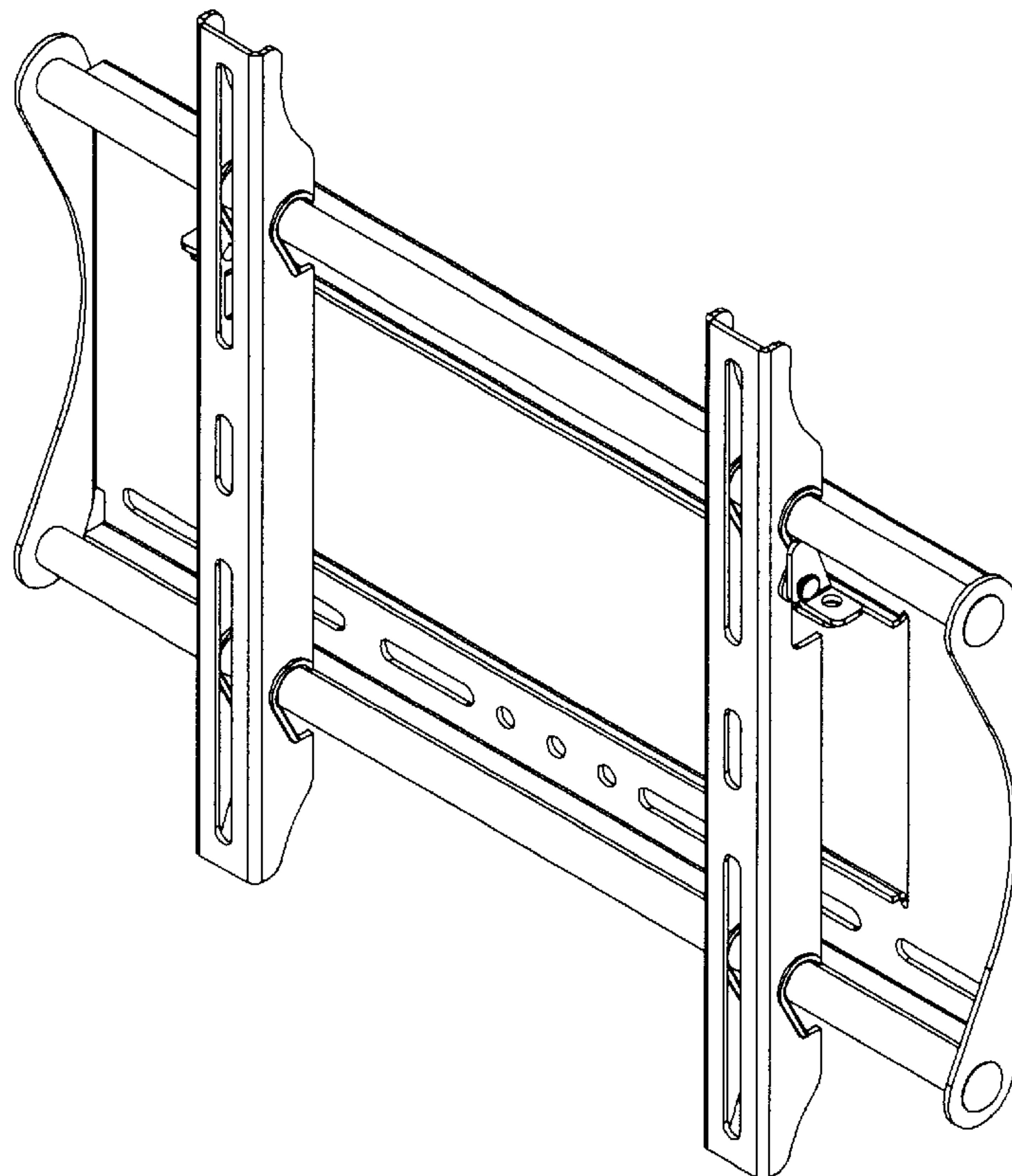
Elements identified in broken lines in the accompanying drawings form no part of the claimed invention.

(56) **References Cited**

U.S. PATENT DOCUMENTS

D493,800 S * 8/2004 Pfister et al. D14/451

1 Claim, 3 Drawing Sheets



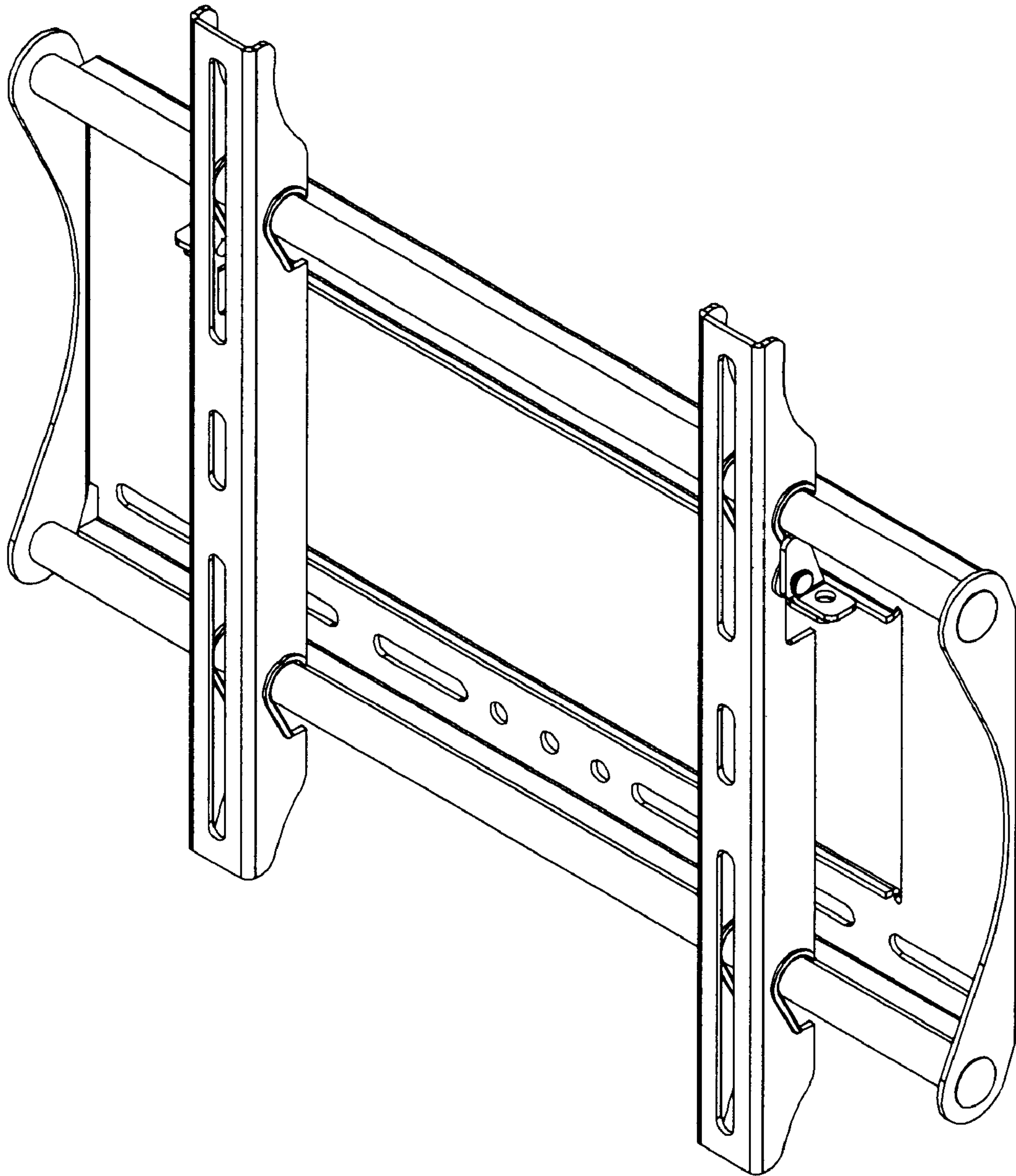


Fig. 1

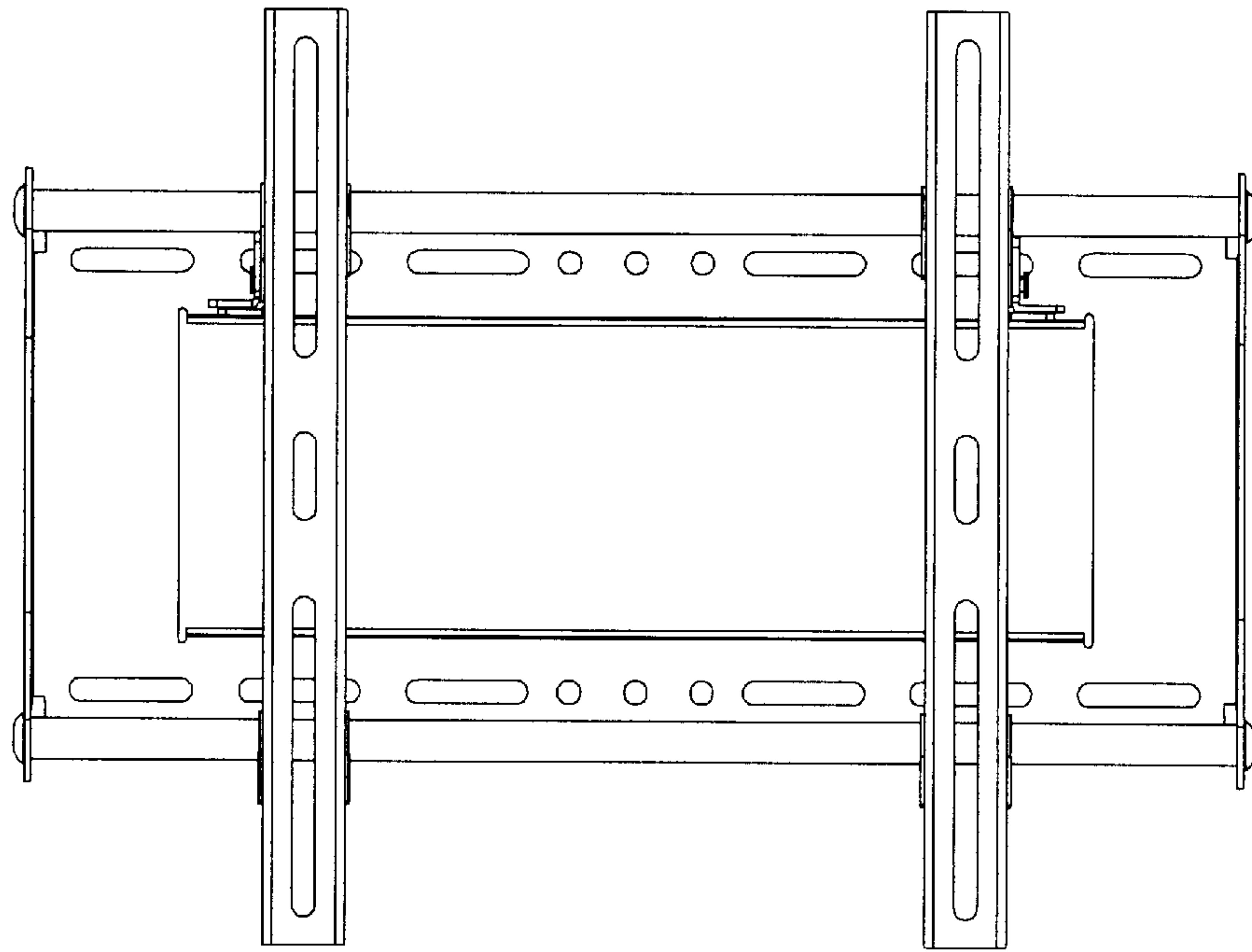


Fig. 2

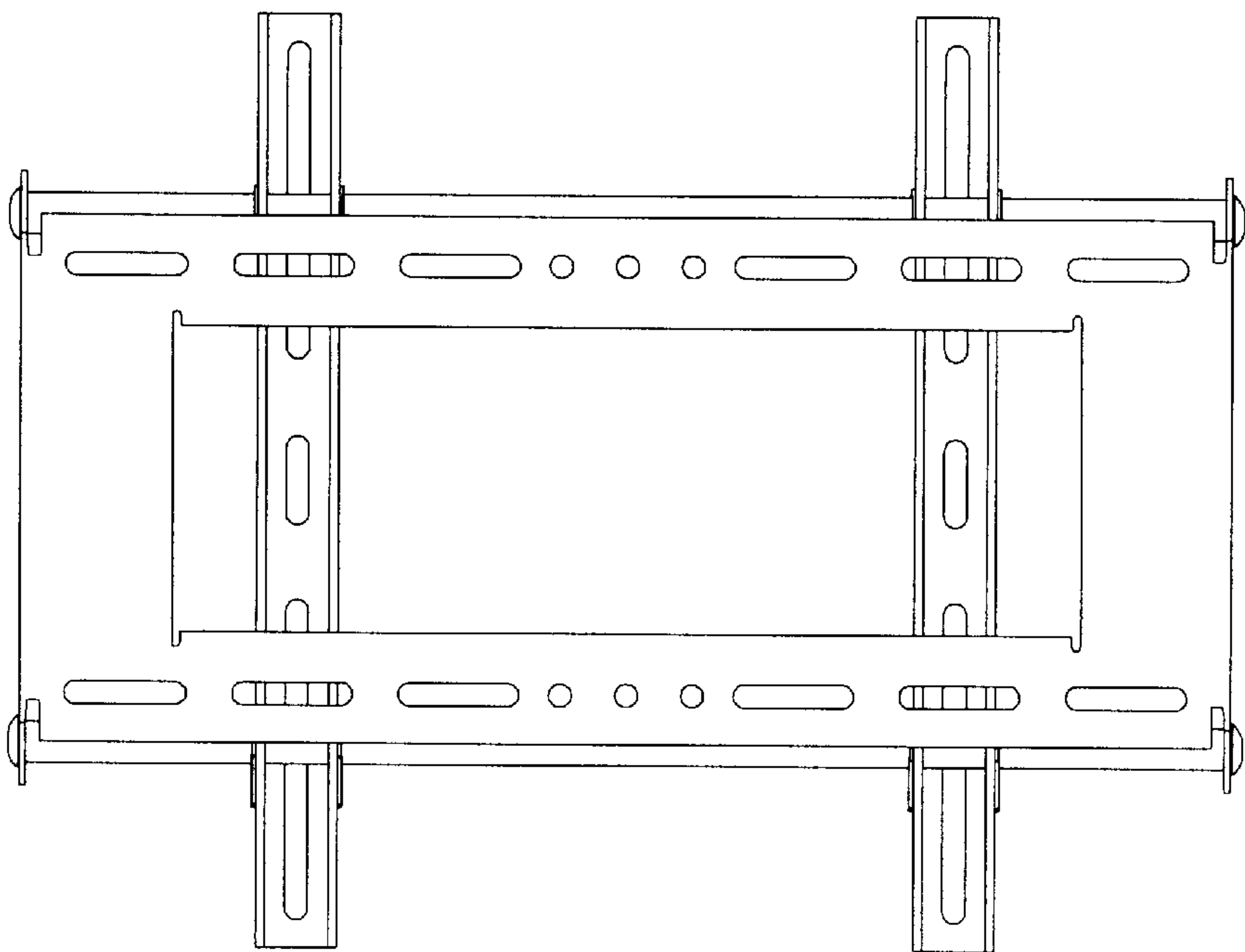


Fig. 3

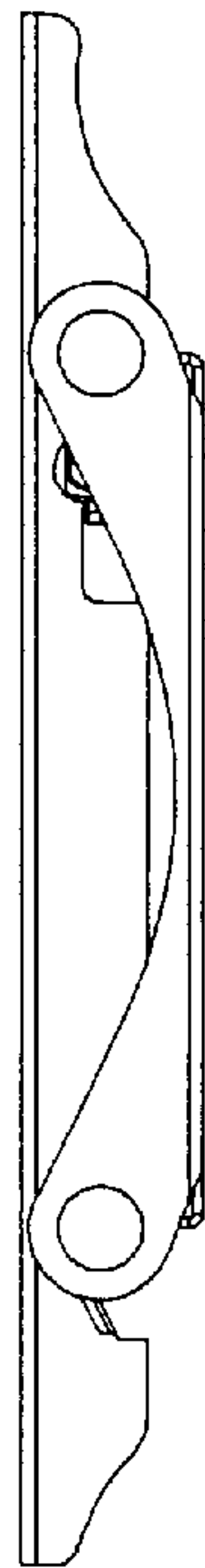


Fig. 4

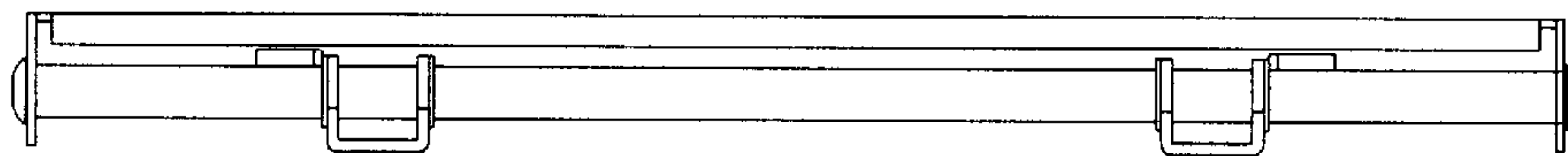


Fig. 5

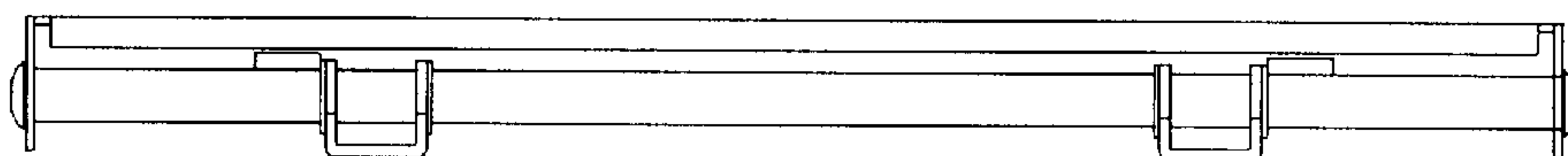


Fig. 6