

US00D539634S

(12) **United States Design Patent**  
**Tanaka et al.**

(10) **Patent No.:** **US D539,634 S**

(45) **Date of Patent:** **\*\* Apr. 3, 2007**

(54) **LOCK**

(75) Inventors: **Hideoki Tanaka**, Narashino (JP);  
**Naoki Yasuda**, Wako (JP); **Masashi Sugawara**, Asaka (JP); **Toru Kanai**, Funabashi (JP); **Masaki Nomura**, Toyama (JP)

(73) Assignee: **YKK AP Inc.**, Tokyo (JP)

(\*\*) Term: **14 Years**

(21) Appl. No.: **29/238,004**

(22) Filed: **Sep. 9, 2005**

(30) **Foreign Application Priority Data**

Mar. 11, 2005 (JP) ..... 2005-007400

(51) **LOC (8) Cl.** ..... **08-07**

(52) **U.S. Cl.** ..... **D8/333; D8/301**

(58) **Field of Classification Search** ..... D8/300-302, D8/308, 332, 338-345, 333, 32; 70/14, 91, 70/101, 106, 107, 141, 142, 218-224, 278.6, 70/448, 278.7, DIG. 67; 292/347, 348, 358, 292/359, DIG. 30, DIG. 68

See application file for complete search history.

(56) **References Cited**

**U.S. PATENT DOCUMENTS**

3,107,113 A \* 10/1963 Sconzo ..... 292/228  
D400,776 S \* 11/1998 Prevot et al. .... D8/301

6,145,353 A \* 11/2000 Doucet ..... 70/277  
D471,422 S \* 3/2003 Ellis et al. .... D8/301  
6,733,050 B1 \* 5/2004 Yao ..... 292/169  
6,758,070 B2 \* 7/2004 Yu et al. .... 70/107  
D501,388 S \* 2/2005 Carpintero ..... D8/301  
D502,859 S \* 3/2005 Peng et al. .... D8/331  
6,935,149 B1 \* 8/2005 Peng et al. .... 70/472  
D512,899 S \* 12/2005 Oskamp et al. .... D8/331  
D520,848 S \* 5/2006 Metivier et al. .... D8/301

\* cited by examiner

*Primary Examiner*—Prabhakar Deshmukh

(74) *Attorney, Agent, or Firm*—Everest Intellectual Property Law Group; Michael S. Leonard

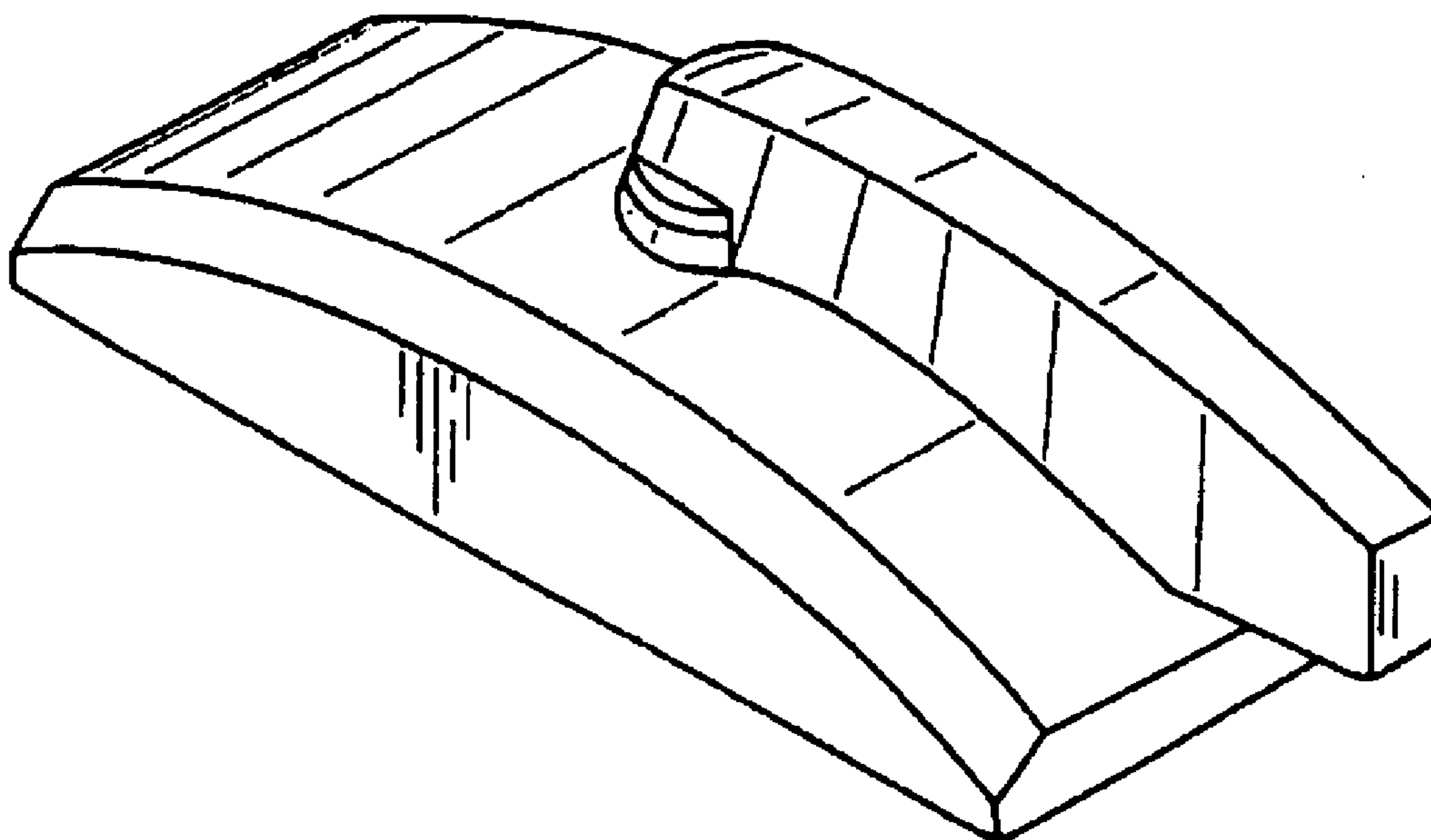
(57) **CLAIM**

We claim the ornamental design for a lock, as shown and described.

**DESCRIPTION**

FIG. 1 is a perspective view of a lock.  
FIG. 2 is a front view of the lock of FIG. 1.  
FIG. 3 is a rear view of the lock of FIG. 1.  
FIG. 4 is a top view of the lock of FIG. 1.  
FIG. 5 is a bottom view of the lock of FIG. 1.  
FIG. 6 is a right side view of the lock of FIG. 1.  
FIG. 7 is a left side view of the lock of FIG. 1; and,  
FIG. 8 is another a front view of the lock of FIG. 1, wherein a handle is turned about 180° from the position shown in FIG. 2.

**1 Claim, 2 Drawing Sheets**



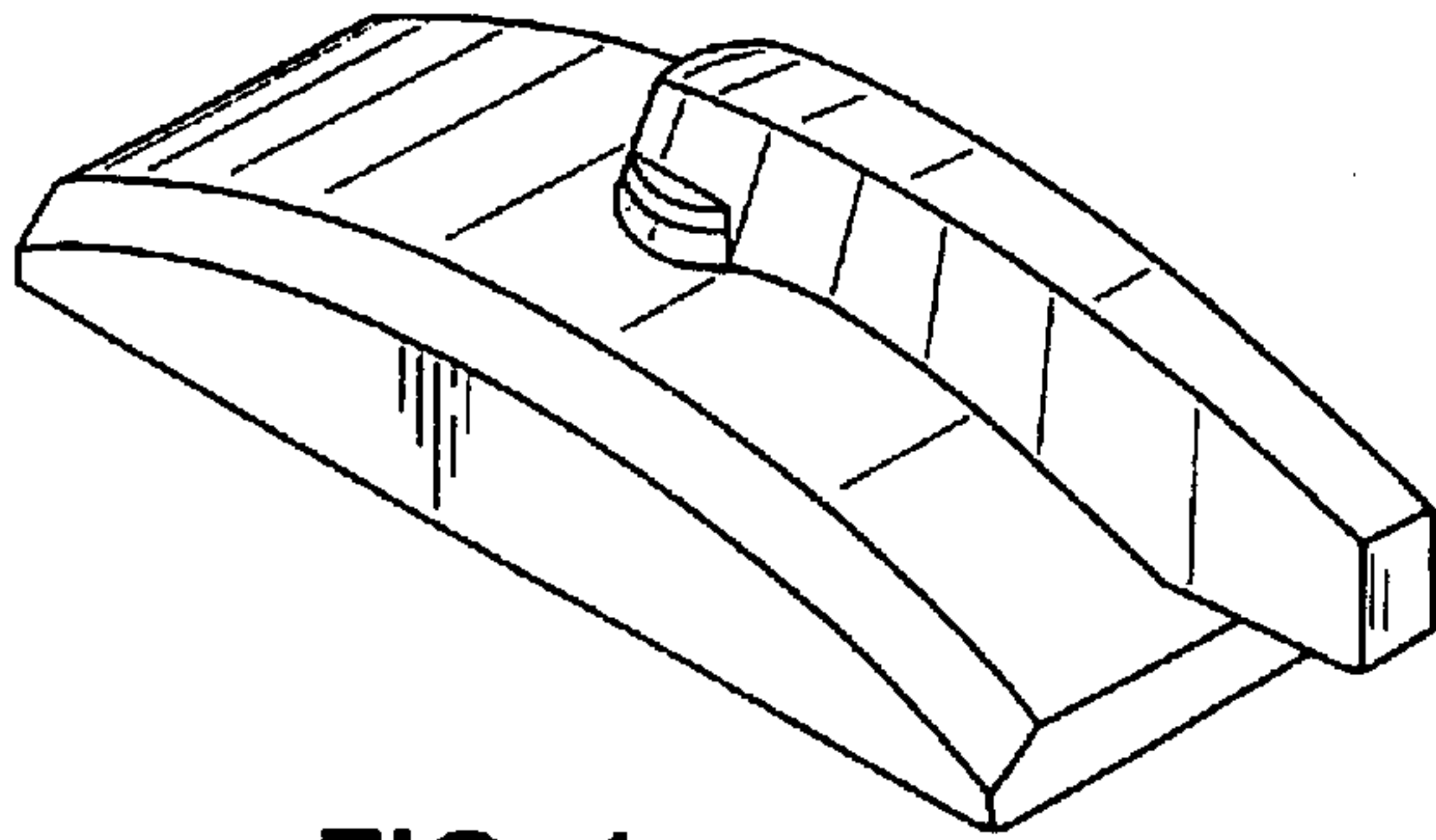


FIG. 1

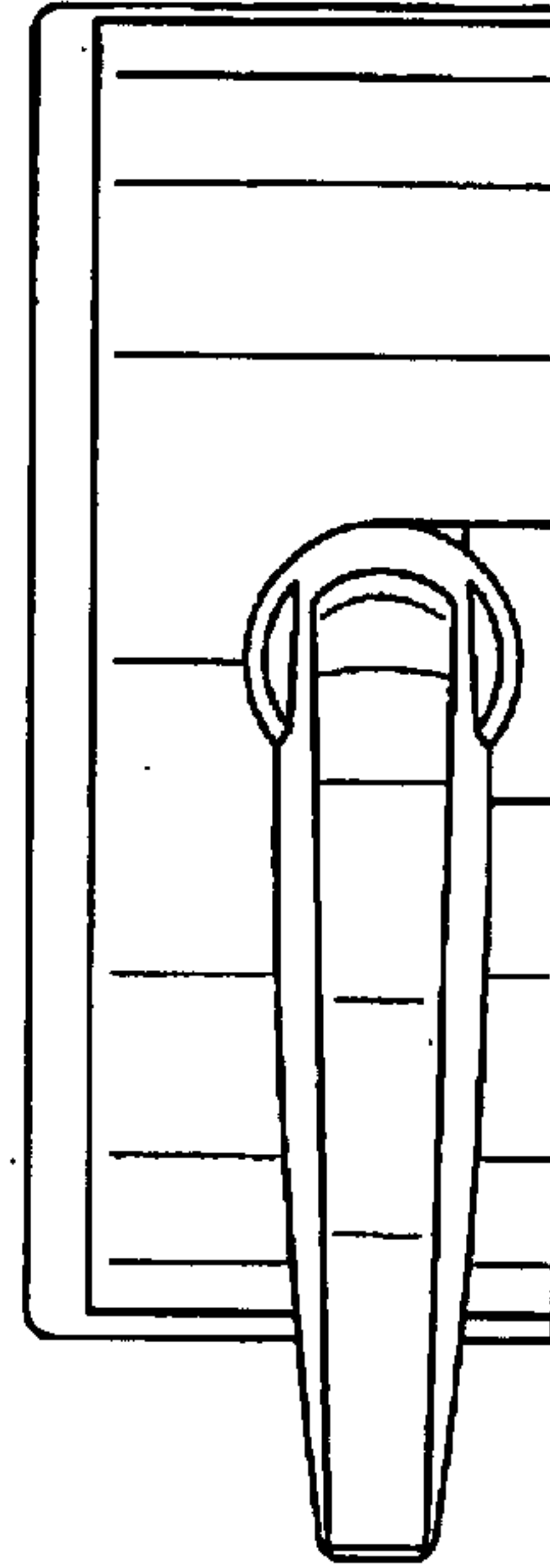


FIG. 2

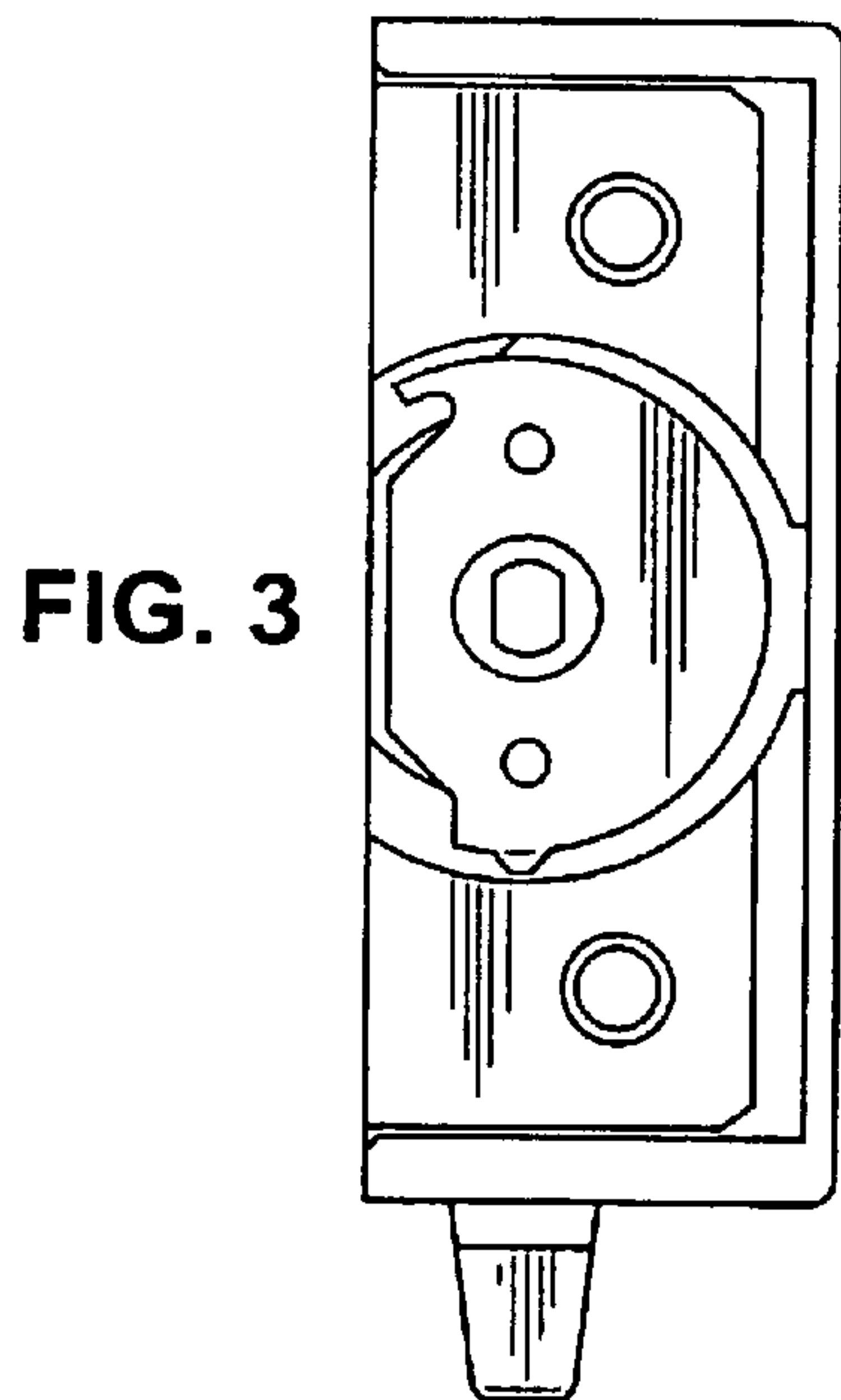


FIG. 3

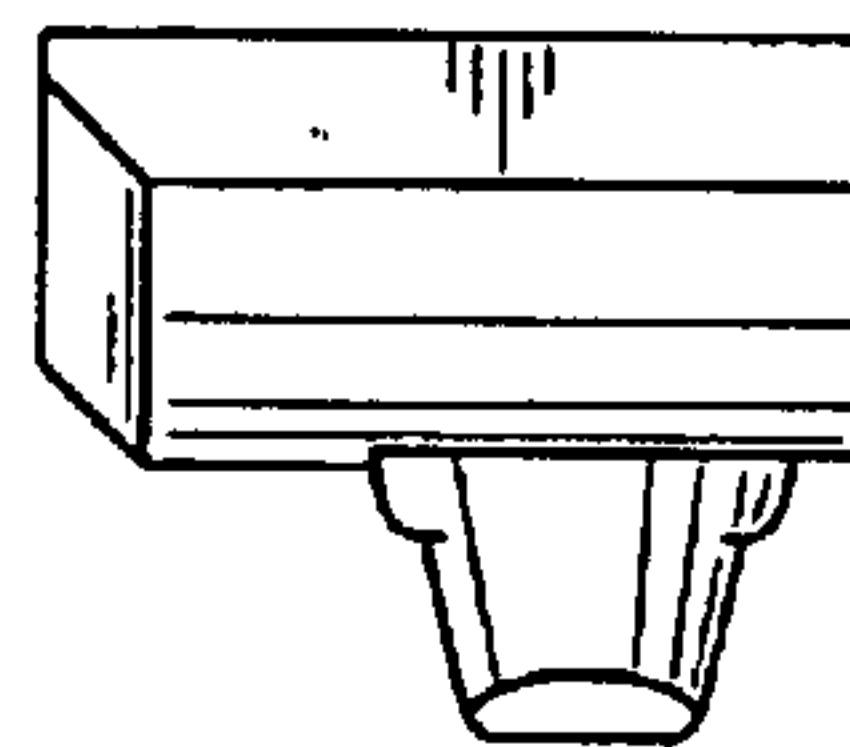


FIG. 4

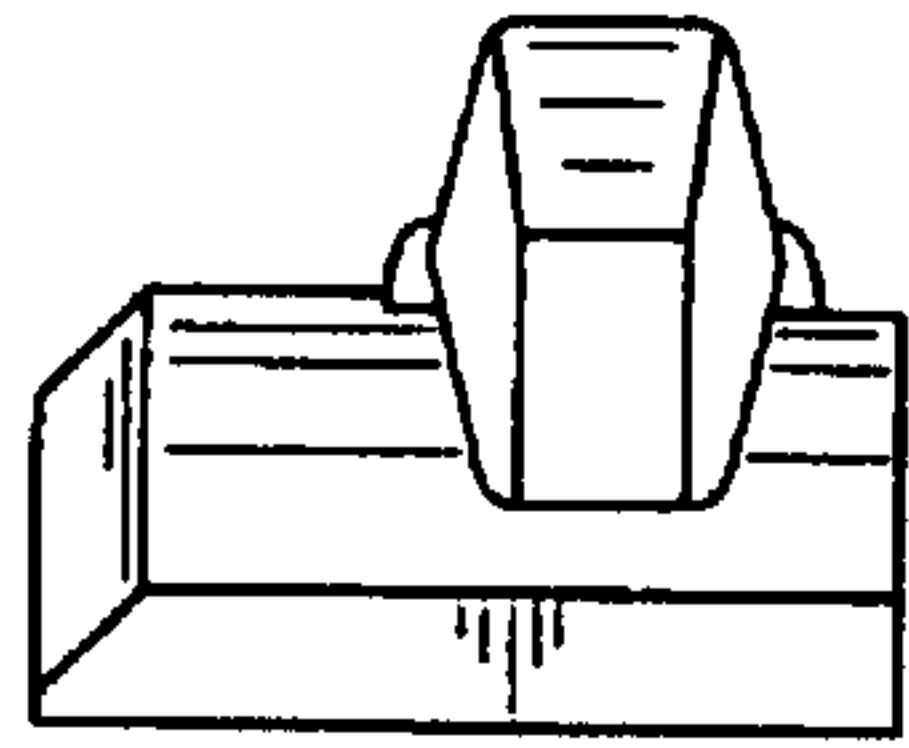


FIG. 5

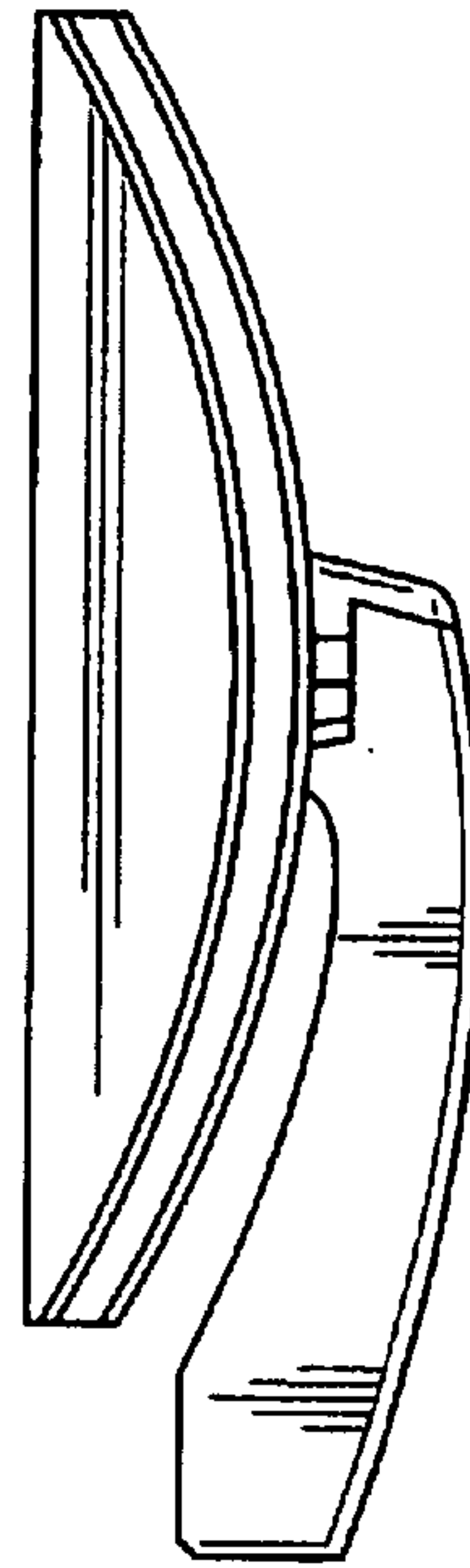


FIG. 6

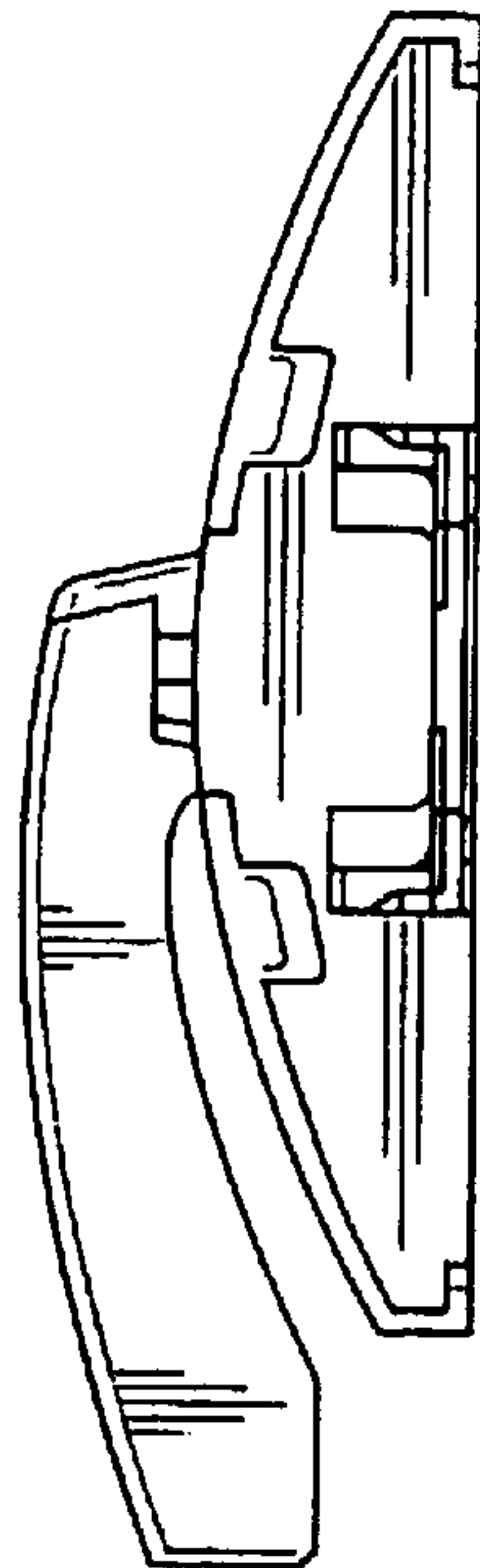


FIG. 7

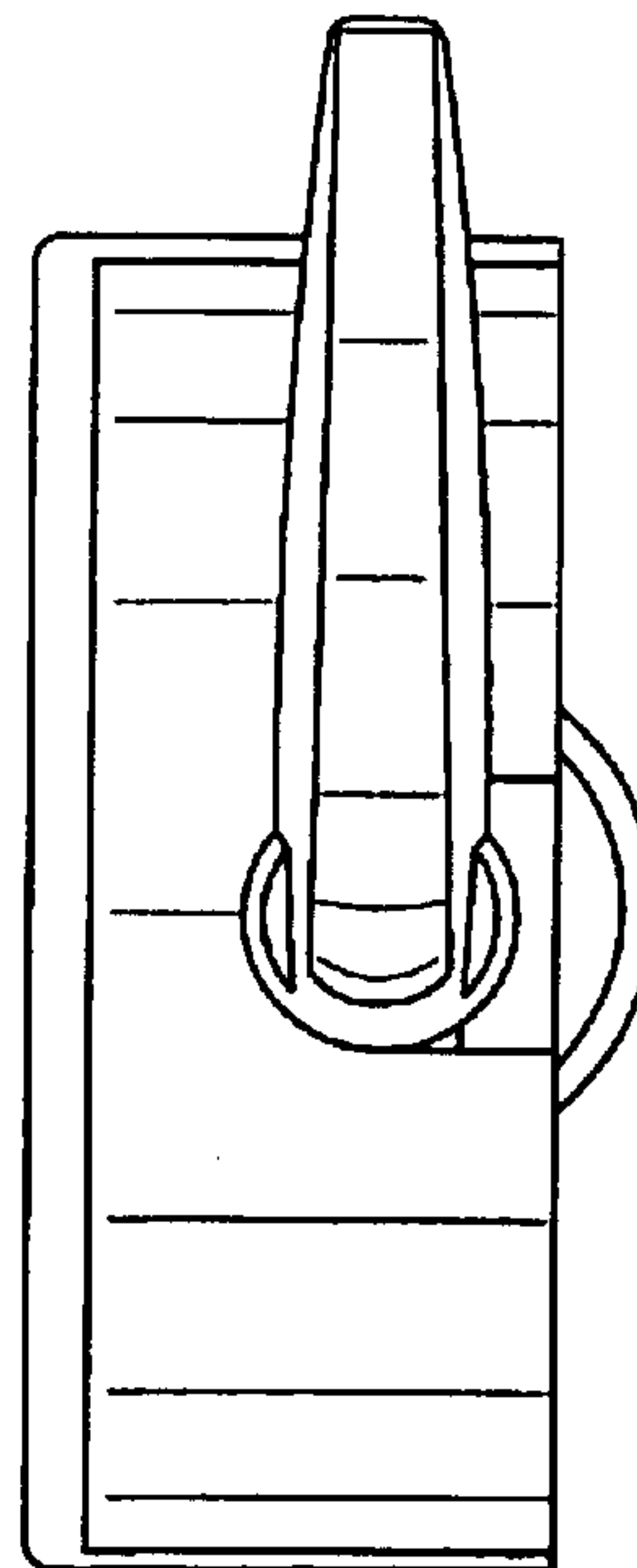


FIG. 8