



US00D539628S

(12) **United States Design Patent** (10) **Patent No.:** **US D539,628 S**
Ping (45) **Date of Patent:** **** Apr. 3, 2007**

(54) **FOLDABLE UTILITY KNIFE** 3,306,297 A 2/1967 Voorhees
 3,568,315 A 3/1971 Smith
 (75) Inventor: **Qiu Jian Ping**, Hangzhou (CN) 3,593,417 A 7/1971 West
 3,872,591 A 3/1975 Quenot
 (73) Assignee: **Great Neck Saw Manufacturers, Inc.**,
 Mineola, NY (US) 4,017,969 A 4/1977 Stonebraker
 4,040,181 A 8/1977 Johnson
 (**) Term: **14 Years** 4,261,104 A 4/1981 Cuscovitch
 4,347,665 A 9/1982 Glesser
 4,442,600 A 4/1984 Felix-Dalichow

(21) Appl. No.: **29/231,061**

(Continued)

(22) Filed: **May 31, 2005**

FOREIGN PATENT DOCUMENTS

Related U.S. Application Data

(60) Division of application No. 29/205,437, filed on May 14, 2004, now Pat. No. Des. 516,403, which is a continuation-in-part of application No. 29/196,601, filed on Dec. 31, 2003, now Pat. No. Des. 501,782, which is a continuation-in-part of application No. 29/181,557, filed on May 13, 2003, now Pat. No. Des. 495,939.

CN	02-2-88379.7	12/2002
CN	200420008852.7	3/2004
CN	200420008854.6	3/2004
CN	200420020589.3	3/2004
CN	200420020590.6	3/2004
CN	200420020591.0	3/2004
WO	WO90086633	8/1990

(51) **LOC (8) Cl.** **08-03**

Primary Examiner—Philip S. Hyder

(52) **U.S. Cl.** **D8/99**(74) *Attorney, Agent, or Firm*—Joseph J. Previto

(58) **Field of Classification Search** D8/98,
 D8/99, 100, 107; 30/155, 156, 157, 158,
 30/159, 160

(57) **CLAIM**

See application file for complete search history.

The ornamental design for a foldable utility knife, as shown and described.

(56) **References Cited**

DESCRIPTION

U.S. PATENT DOCUMENTS

97,154 A	11/1869	Barnard
493,075 A	3/1893	Evertz
515,045 A	2/1894	Bultzingslowen
584,077 A	6/1897	Jackson
596,096 A	12/1897	Watts
988,068 A	3/1911	Beardsley
1,362,142 A	12/1920	Rohrer
1,444,324 A	2/1923	Brooks
1,706,251 A	3/1929	Perry
1,750,577 A	3/1930	DeBracht
2,134,973 A	11/1938	Harwell
2,265,775 A	12/1941	McNamara
2,284,128 A	5/1942	Bush
2,523,575 A	9/1950	Kassel
2,914,850 A	12/1959	Kuhnl
2,980,996 A	4/1961	Beran

FIG. 1 is a perspective view of my new design showing it in an unfolded position.

FIG. 2 is a top view thereof.

FIG. 3 is a side view thereof.

FIG. 4 is a front view thereof.

FIG. 5 is a rear view thereof.

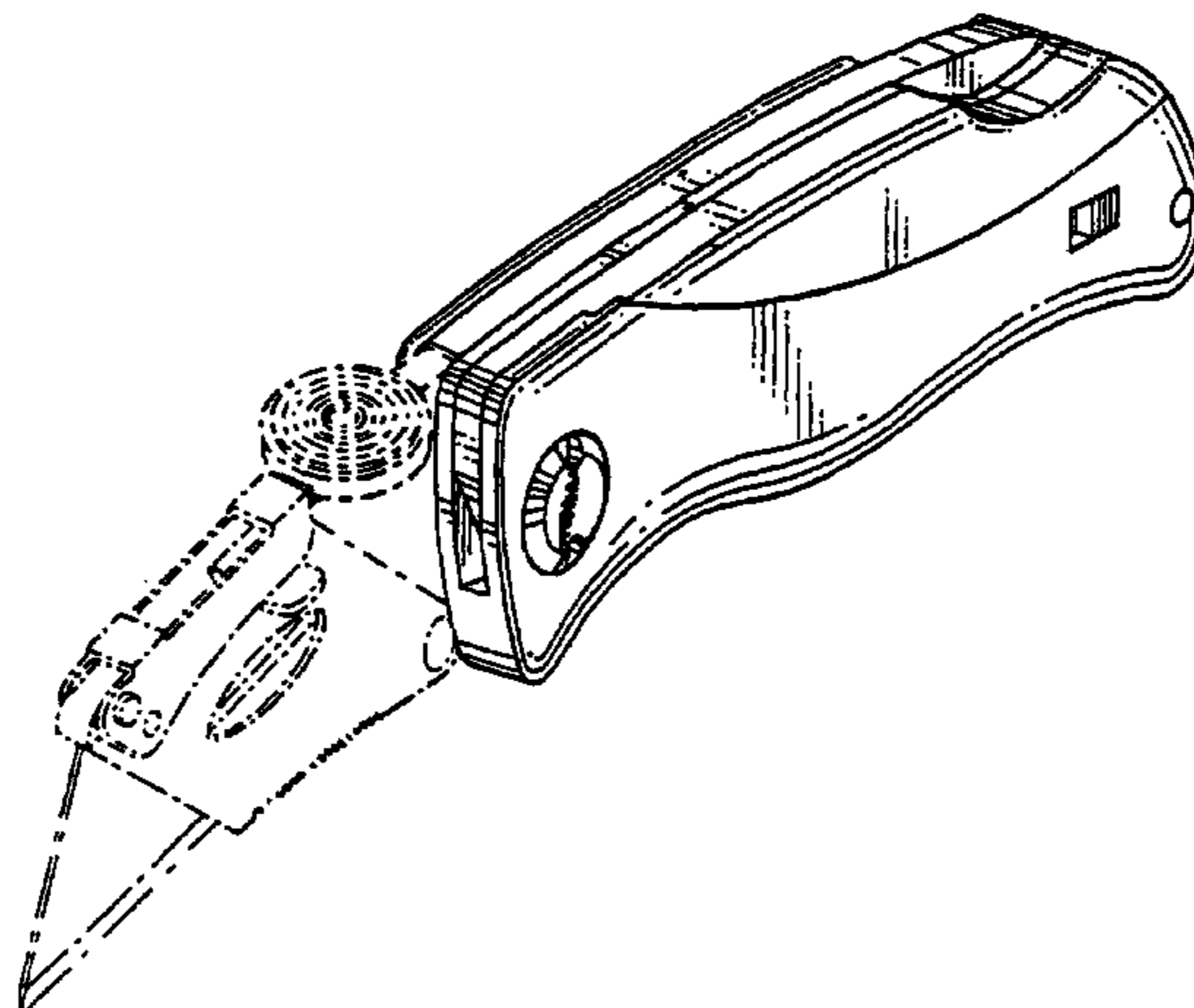
FIG. 6 is a bottom view thereof.

FIG. 7 is another side view thereof.

FIG. 8 is a side view thereof showing it in a partially folded position; and,

FIG. 9 is a side view thereof showing it in a folded position.

The broken line showings of the blade support mechanism are for illustrative purposes only and form no part of the claimed design.

1 Claim, 4 Drawing Sheets

US D539,628 S

Page 2

U.S. PATENT DOCUMENTS			
4,570,341	A	2/1986	Konneker
4,604,805	A	8/1986	Krieger
4,665,615	A	5/1987	Martinez
4,669,188	A	6/1987	Evrell
4,719,700	A	1/1988	Taylor, Jr.
4,805,303	A	2/1989	Gibbs
4,811,486	A	3/1989	Cunningham
4,920,644	A	5/1990	La Gattuta
4,936,014	A	6/1990	Shaanan et al.
5,044,079	A	9/1991	Gibbs
5,095,624	A	3/1992	Ennis
5,125,157	A	6/1992	Howard
5,400,509	A	3/1995	Collins
5,511,310	A	4/1996	Sessions
D371,289	S	* 7/1996	Huang D8/107
5,769,094	A	6/1998	Jenkins, Jr.
5,815,927	A	10/1998	Collins
5,826,340	A	10/1998	Hull
5,909,930	A	6/1999	Ragland
5,966,816	A	10/1999	Roberson
5,979,059	A	11/1999	Leatherman
6,170,104	B1	1/2001	Seber
6,170,158	B1	1/2001	Daily
6,256,887	B1	7/2001	Osborne
6,256,888	B1	7/2001	Shuen
6,263,581	B1	7/2001	Forte
6,354,007	B1	3/2002	Scarla
6,370,778	B1	4/2002	Conable
6,446,341	B1	9/2002	Wang
6,471,577	B1	10/2002	Hendrickson
6,487,740	B2	12/2002	Seber
6,574,868	B1	6/2003	Overholt
D491,439	S	6/2004	Ping
D501,782	S	2/2005	Ping
2002/0059730	A1	5/2002	Flavigny

* cited by examiner

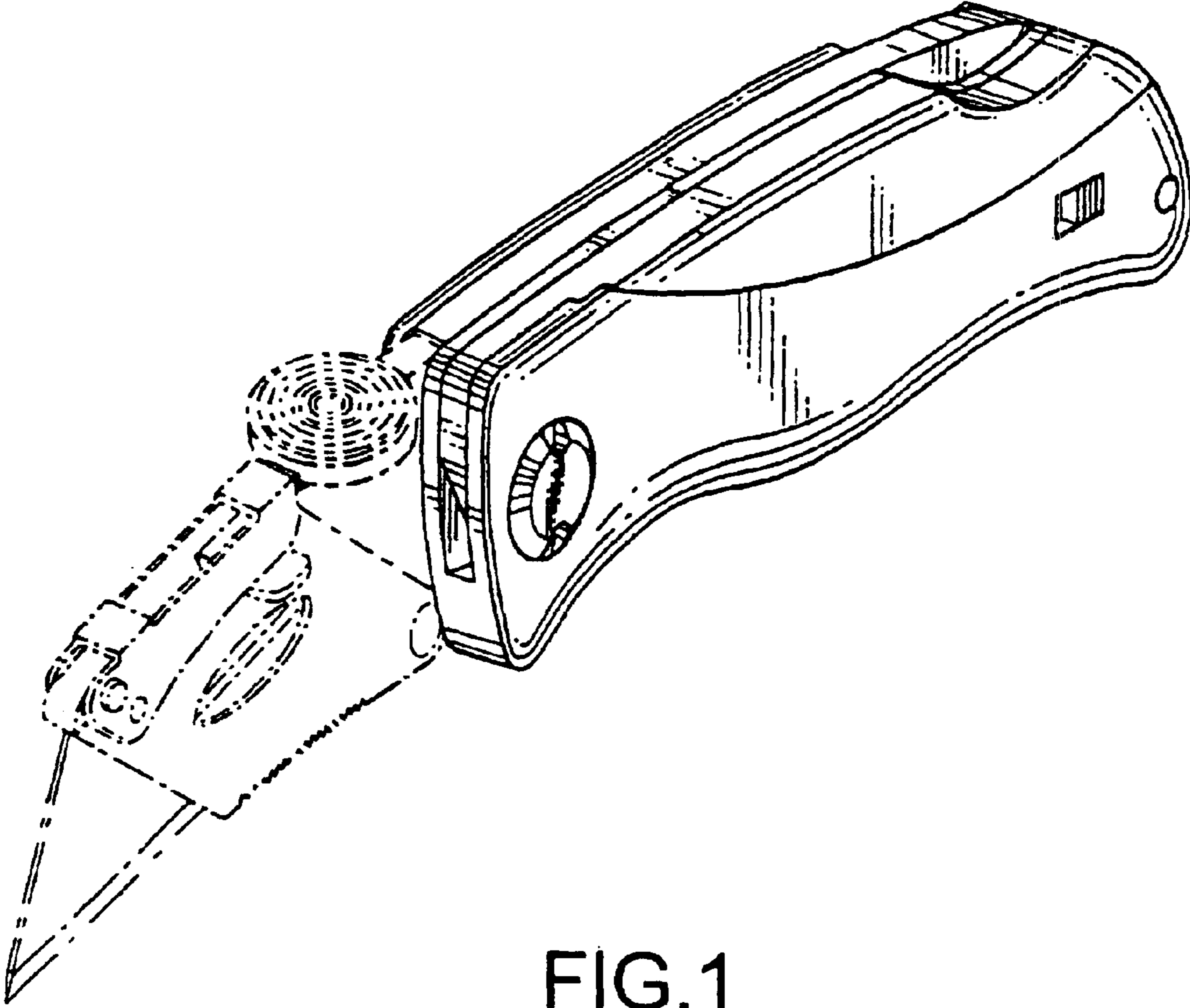


FIG.1

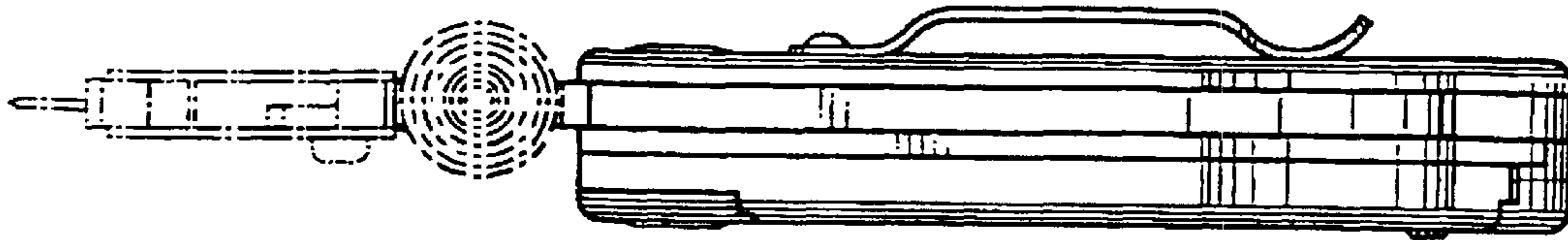


FIG. 2

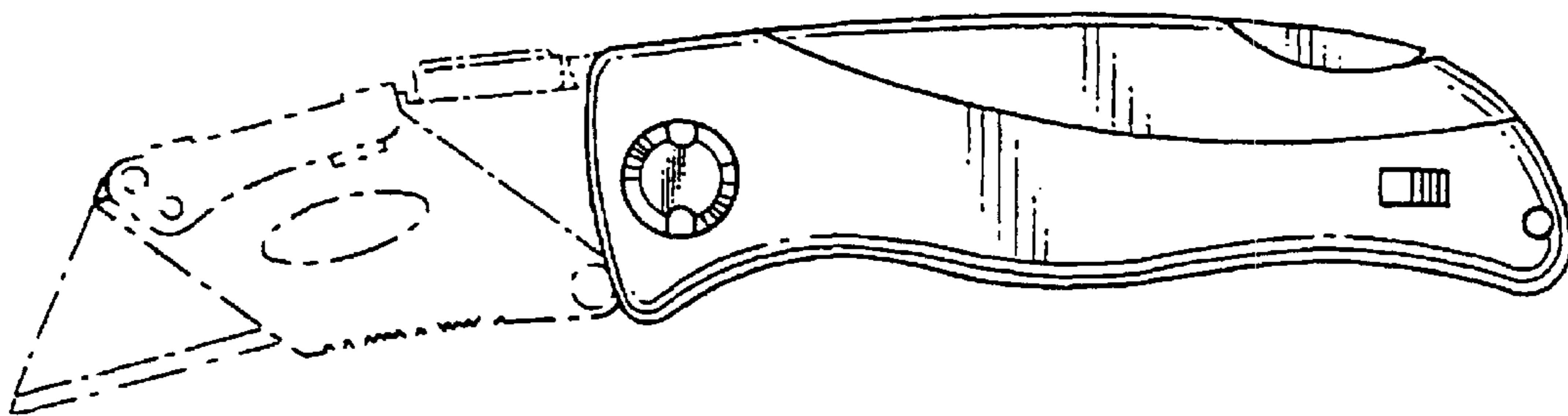


FIG. 3

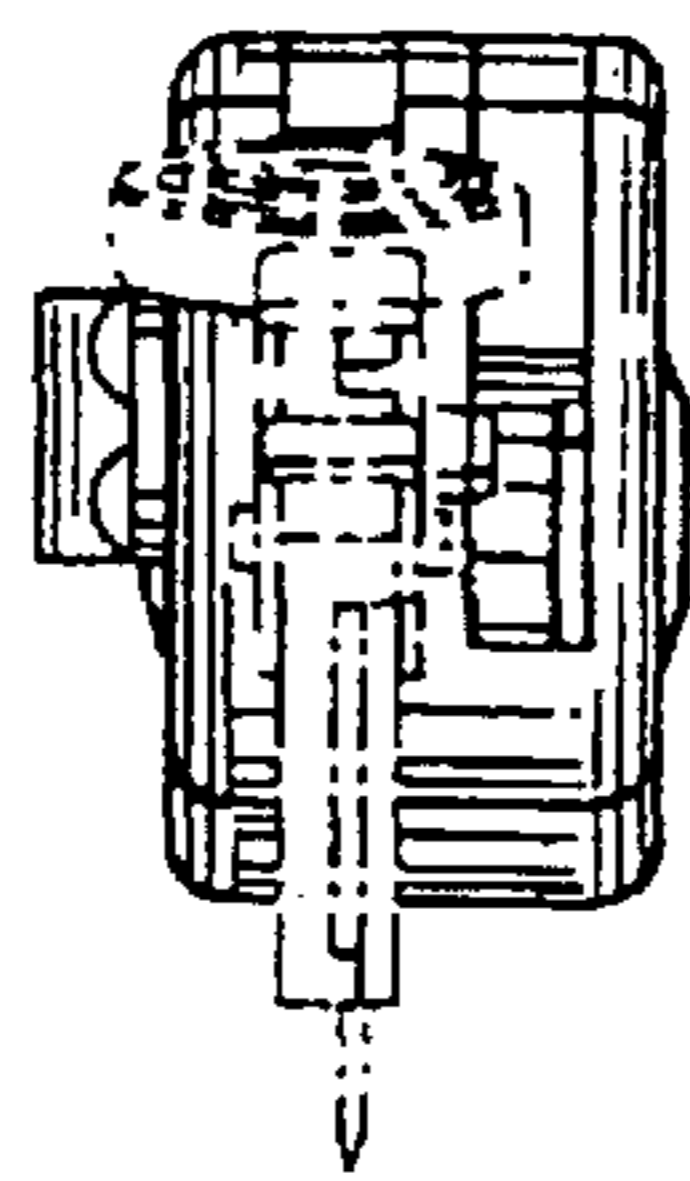


FIG. 4

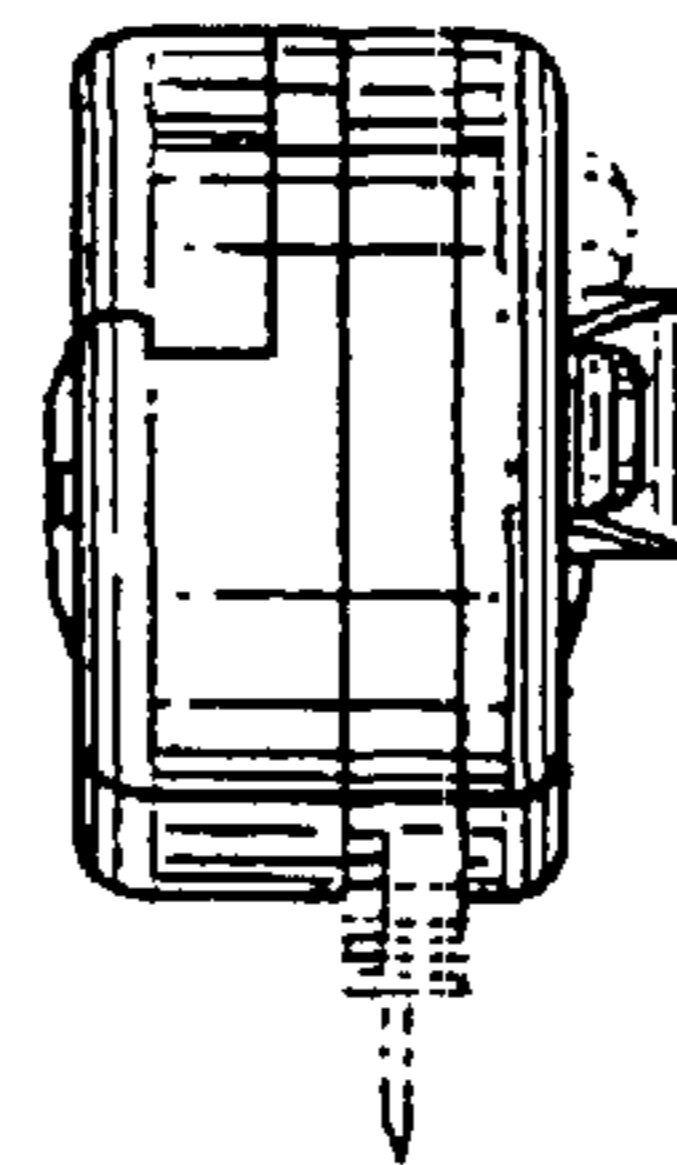


FIG. 5

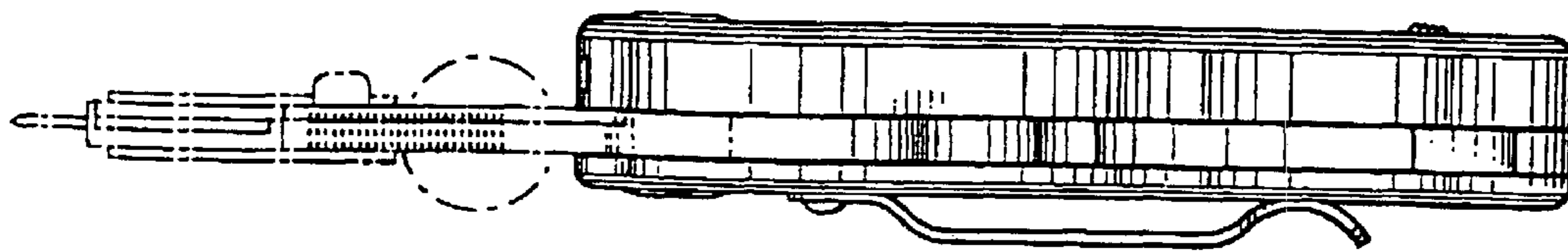


FIG. 6

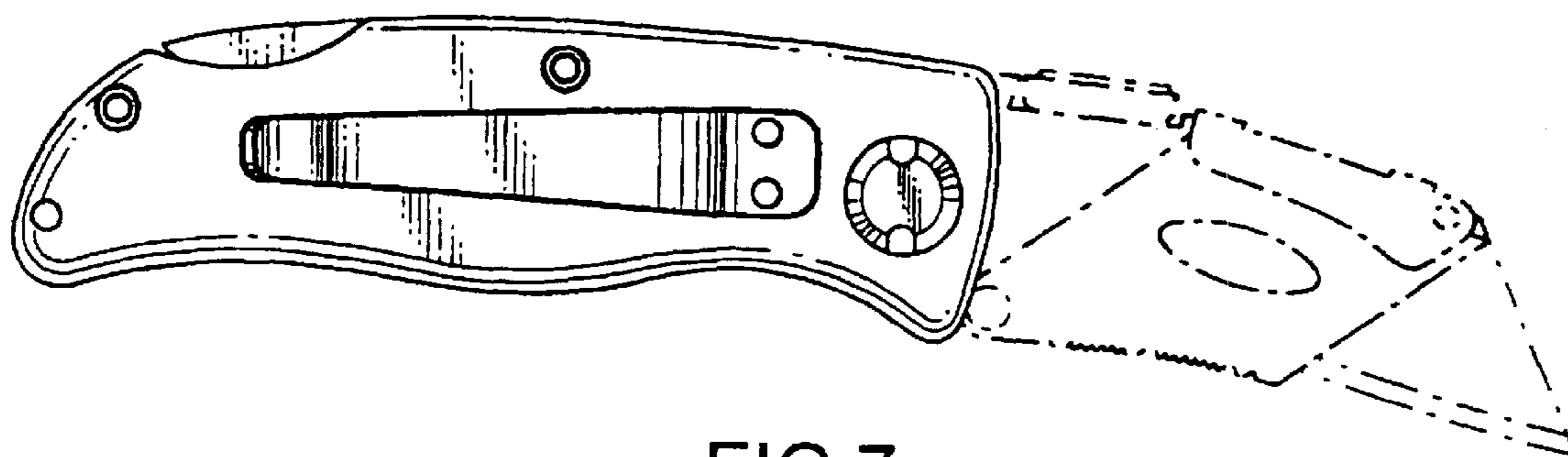


FIG. 7

