



US00D539627S

(12) **United States Design Patent** (10) **Patent No.:** **US D539,627 S**  
**Watson et al.** (45) **Date of Patent:** **\*\* Apr. 3, 2007**

(54) **POWER SHEARS**  
(75) Inventors: **James B. Watson**, Fallston, MD (US);  
**Christine H. Potter**, Baltimore, MD (US)  
(73) Assignee: **Black & Decker Inc.**, Newark, DE (US)  
(\*\*) Term: **14 Years**  
(21) Appl. No.: **29/227,673**  
(22) Filed: **Apr. 14, 2005**

D440,849 S 4/2001 Sakai et al.  
D440,851 S 4/2001 Sakai et al.  
D447,924 S 9/2001 Neitzell et al.  
D456,233 S 4/2002 Main  
D468,982 S 1/2003 Brazell et al.  
D471,417 S 3/2003 Chunn et al.  
D471,418 S \* 3/2003 Chunn et al. .... D8/64  
D471,782 S 3/2003 Keith-Lucas  
D473,771 S \* 4/2003 Hayakawa et al. .... D8/64  
D474,088 S 5/2003 Chunn et al.  
6,568,089 B1 \* 5/2003 Popik et al. .... 30/392  
D480,616 S 10/2003 Welsh  
D523,312 S \* 6/2006 Ozawa et al. .... D8/64  
2001/0042631 A1 \* 11/2001 Carrier ..... 173/217

**Related U.S. Application Data**

(63) Continuation of application No. 29/217,387, filed on Nov. 16, 2004, now Pat. No. Des. 507,953.  
(51) **LOC (8) Cl.** ..... **08-03**  
(52) **U.S. Cl.** ..... **D8/69**  
(58) **Field of Classification Search** ..... D8/62,  
D8/63, 64, 65, 70, 69, 68, 61, 5; D28/53,  
D28/54; 30/228, 216; 173/170, 169, 178,  
173/213; 119/610; 81/429, 464, 466; 408/20,  
408/124; 310/50  
See application file for complete search history.

**FOREIGN PATENT DOCUMENTS**

DE M 96 05 110 12/1995  
DE M 96 05 111 12/1995  
DE MR 498 12 762 12/1998  
WO DM 060359 11/2001

\* cited by examiner

*Primary Examiner*—Cathron C. Brooks  
*Assistant Examiner*—Austin Murphy  
(74) *Attorney, Agent, or Firm*—Michael P. Leary; Charles E. Yocum; Adan Ayala

(56) **References Cited**

**U.S. PATENT DOCUMENTS**

D202,255 S 9/1965 Romain et al.  
D296,516 S 7/1988 Doyel  
D322,921 S 1/1992 Bosten et al.  
D339,510 S 9/1993 Sakamoto  
D347,560 S 6/1994 Kwong  
D355,575 S 2/1995 Broucksou  
D388,300 S 12/1997 Jeltsch  
D388,676 S \* 1/1998 Niwa et al. .... D8/68  
D401,128 S 11/1998 Zurwelle  
D408,699 S 4/1999 Zurwelle  
D413,241 S 8/1999 Lai  
D415,400 S 10/1999 Mizutani et al.  
D416,180 S 11/1999 Sakai et al.  
D428,786 S 8/2000 Hayakawa et al.  
D434,627 S 12/2000 Buck

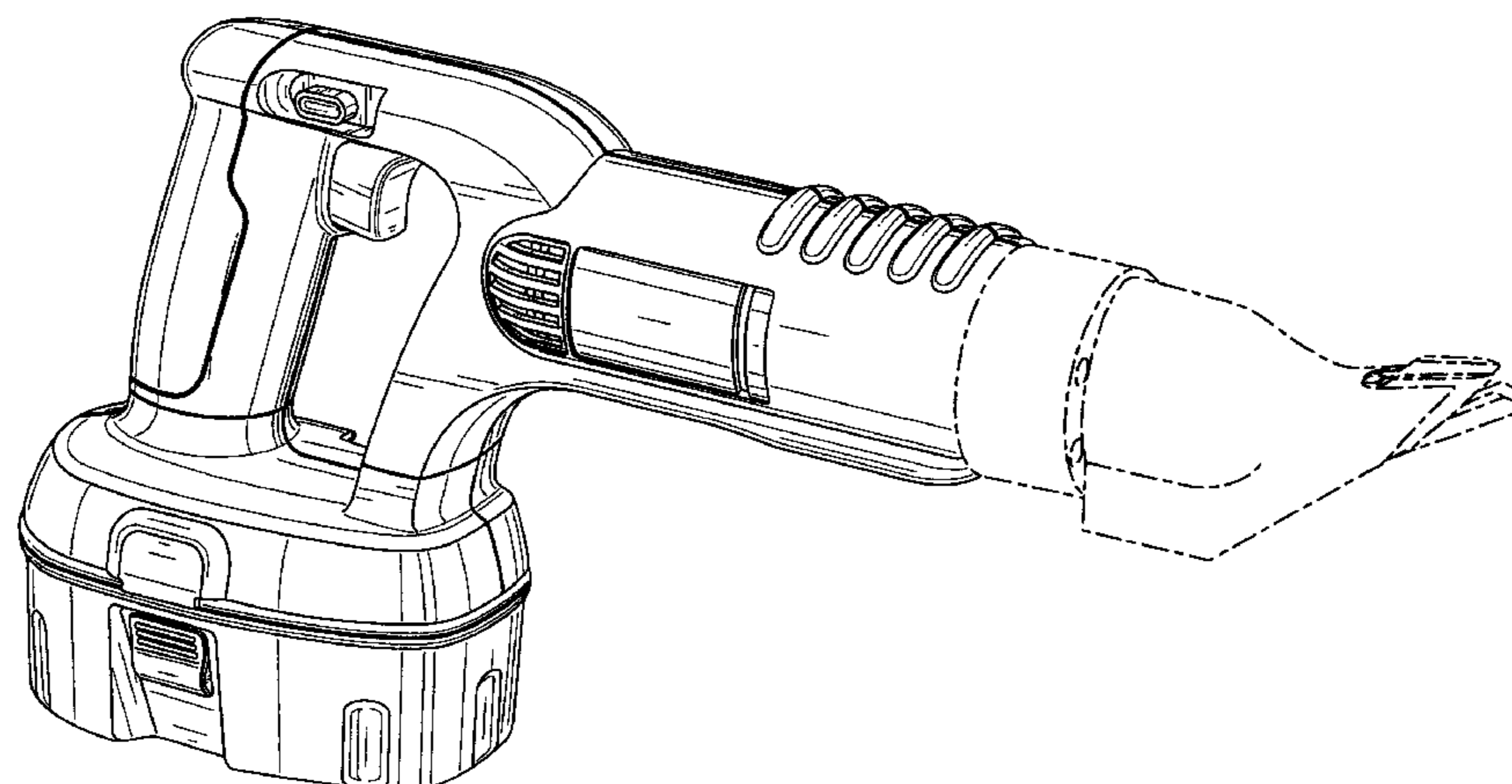
(57) **CLAIM**

The ornamental design for power shears, as shown and described.

**DESCRIPTION**

FIG. 1 is a perspective view of power shears showing our new design.  
FIG. 2 is a front view thereof.  
FIG. 3 is a rear view thereof.  
FIG. 4 is a right side view thereof.  
FIG. 5 is a left side view thereof.  
FIG. 6 is a top view thereof; and,  
FIG. 7 is a bottom view thereof.  
The broken lines shown in the drawings form no part of the claimed design.

**1 Claim, 6 Drawing Sheets**



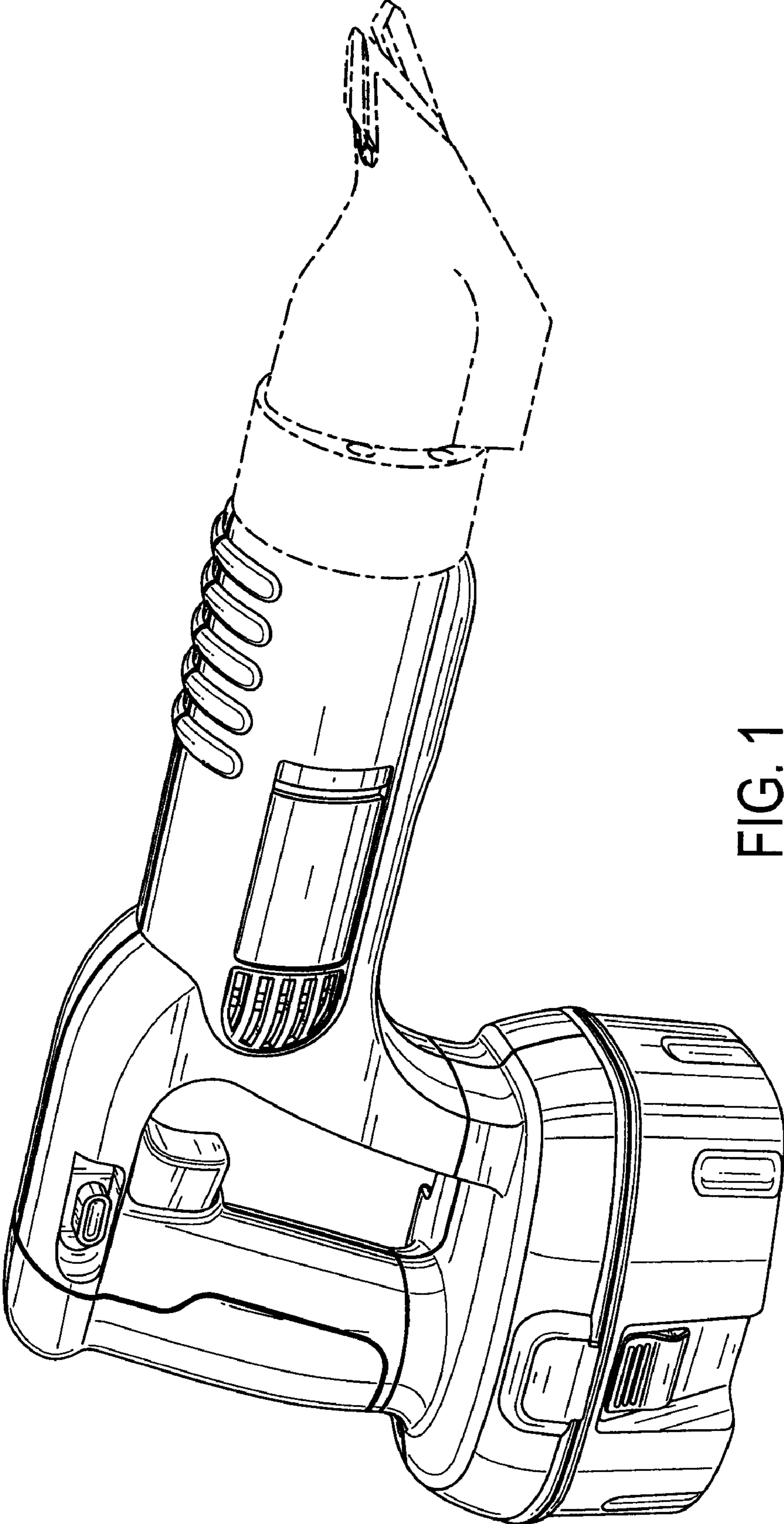


FIG. 1

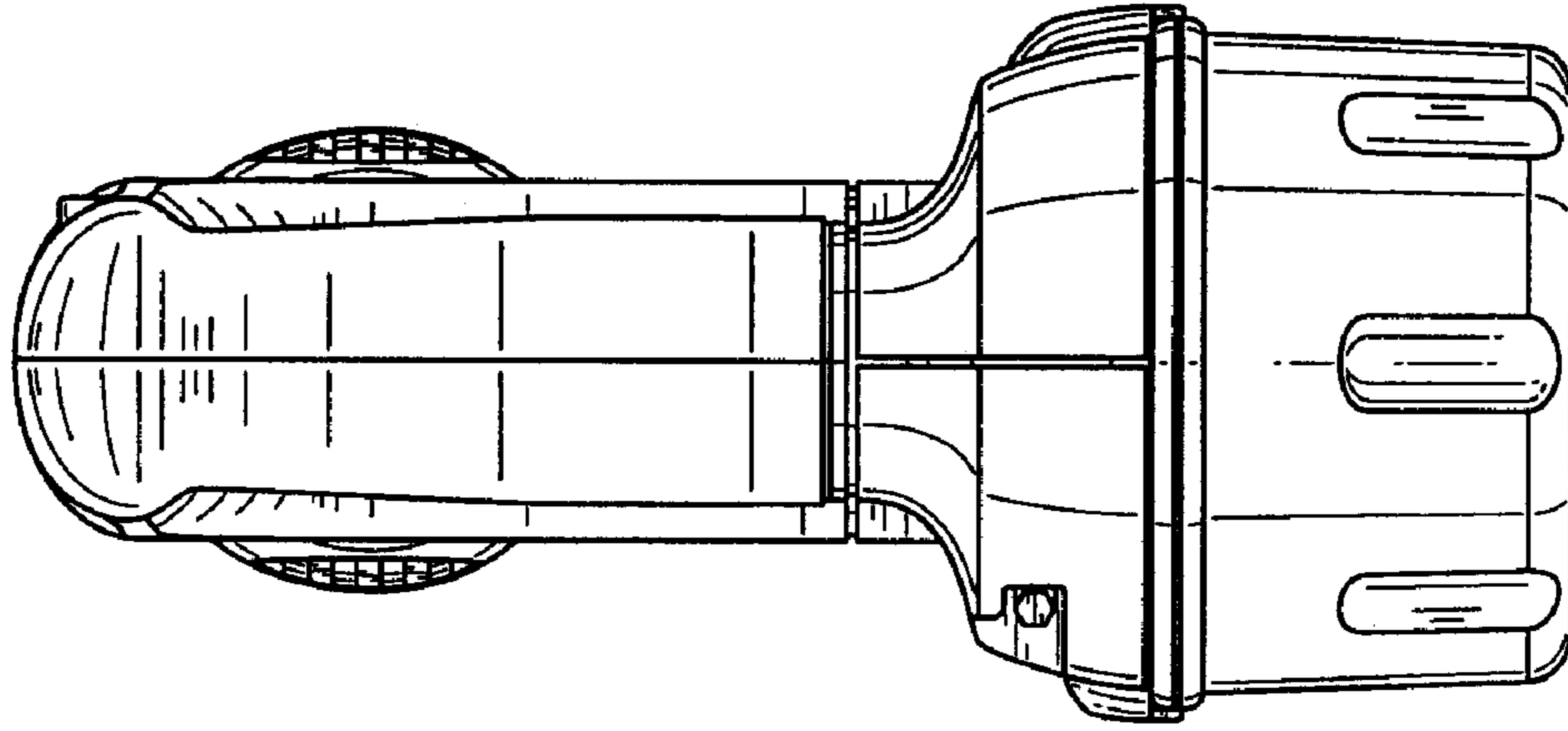


FIG. 3

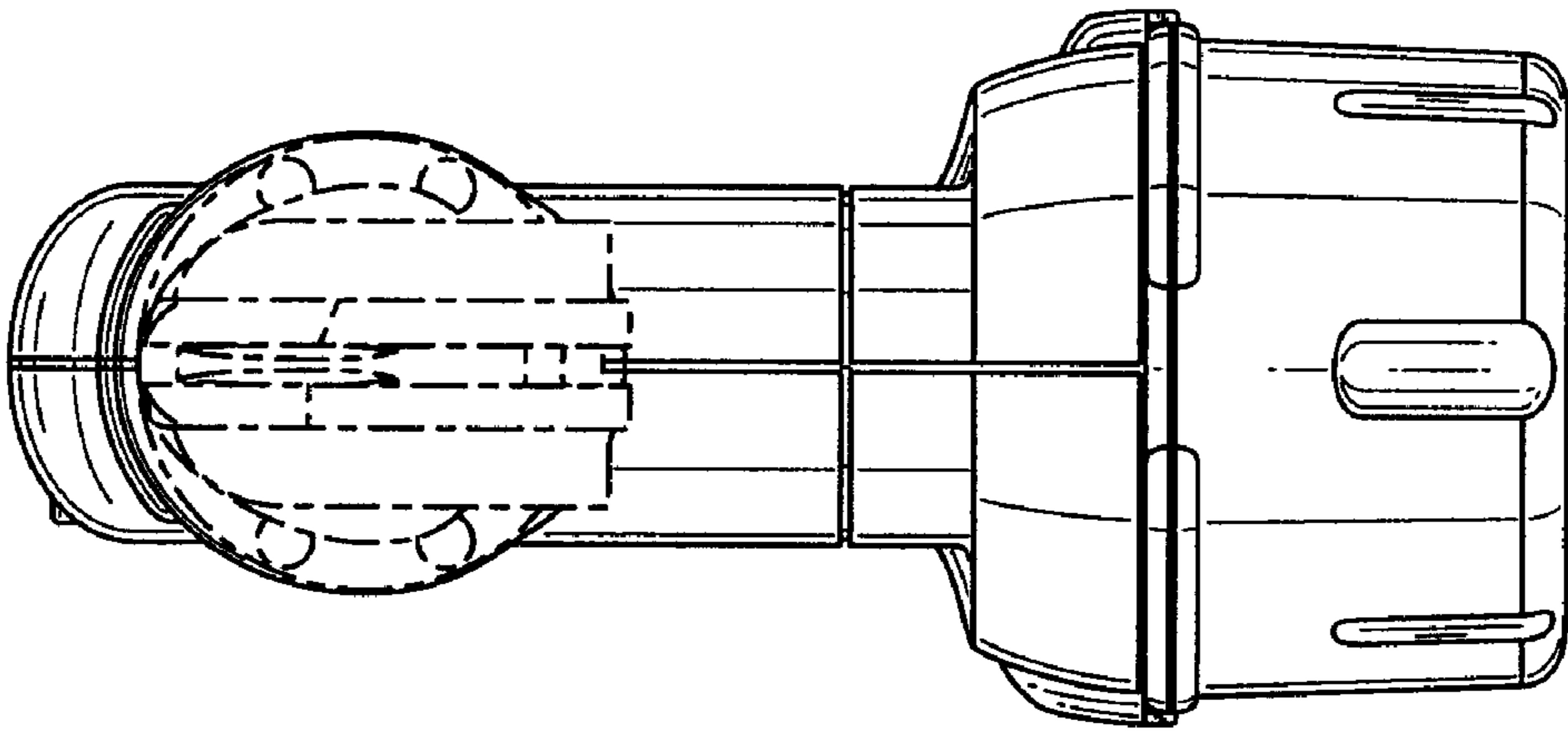


FIG. 2

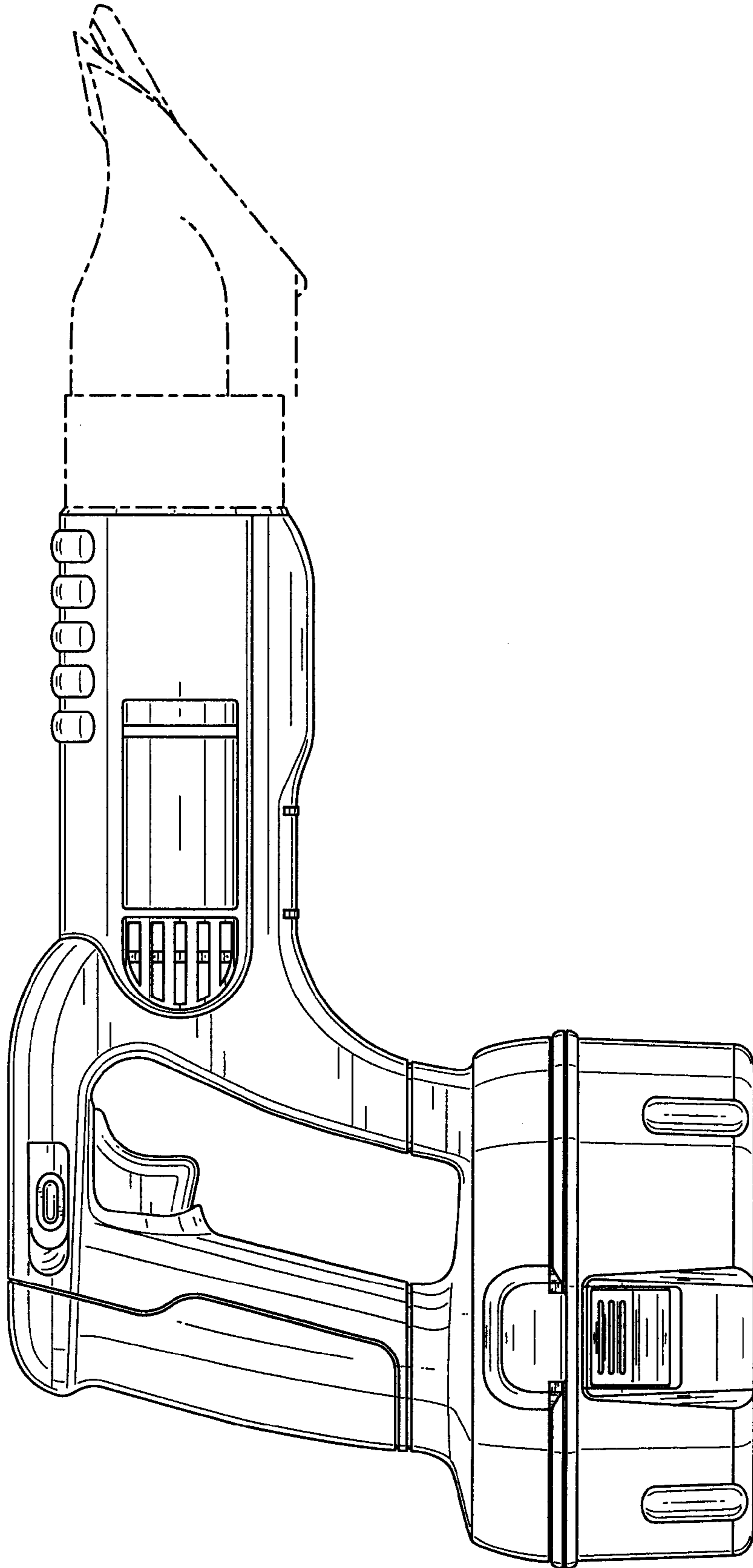


FIG. 4

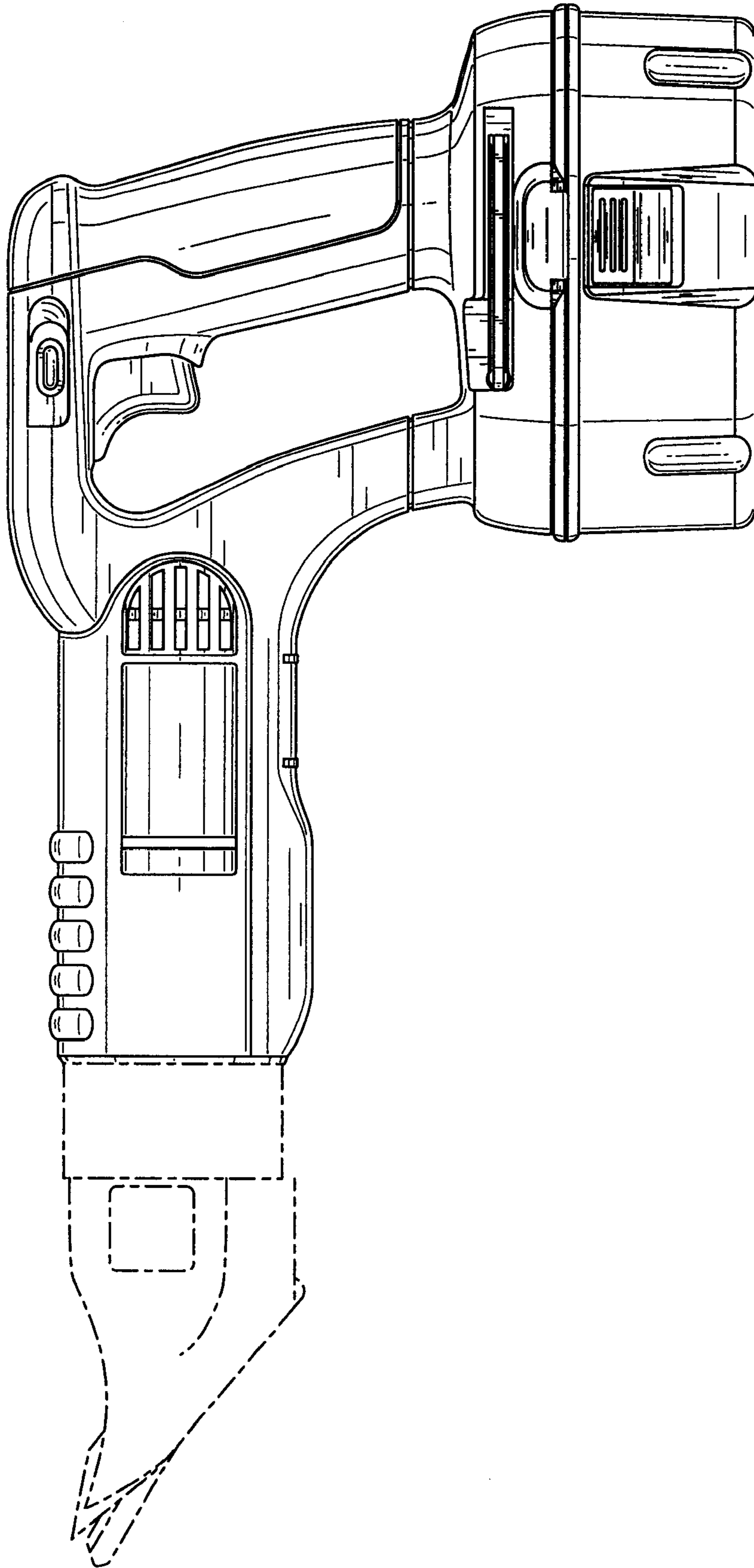


FIG. 5

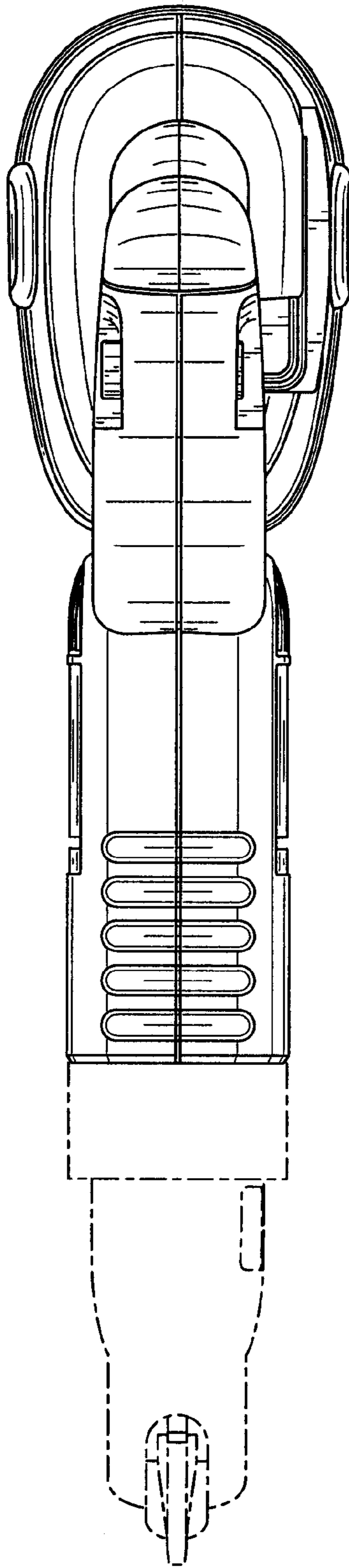


FIG. 6

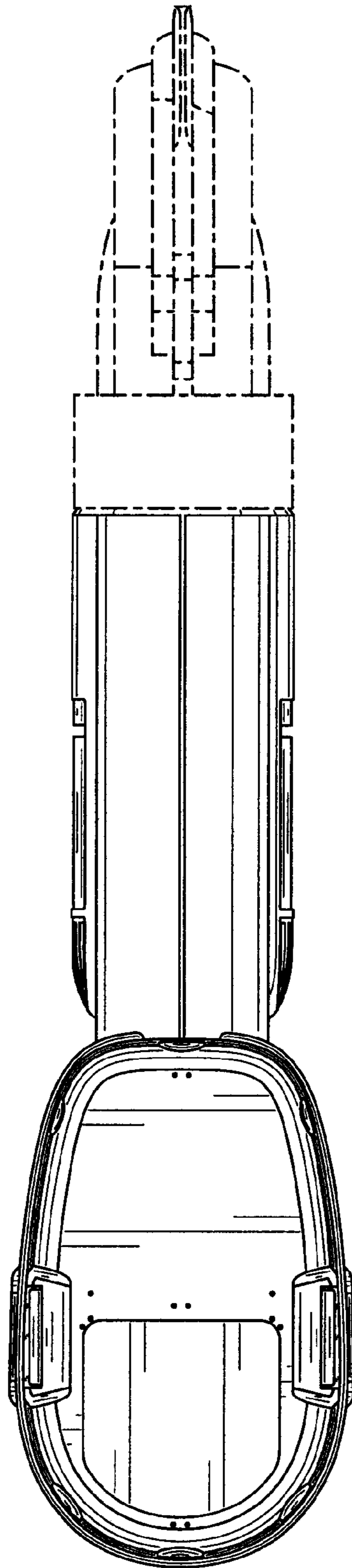


FIG. 7